



US00D551767S

(12) **United States Design Patent** (10) **Patent No.:** **US D551,767 S**  
**Costello** (45) **Date of Patent:** **\*\* Sep. 25, 2007**

(54) **DENTAL ARTICULATOR FULL ARCH**  
(75) Inventor: **William J. Costello**, East Lansing, MI (US)  
(73) Assignee: **Premier Dental Products Company**, Plymouth Meeting, PA (US)  
(\*\*) Term: **14 Years**  
(21) Appl. No.: **29/235,928**  
(22) Filed: **Aug. 9, 2005**

5,425,636 A 6/1995 Ghim  
5,482,460 A 1/1996 Farnor, Jr. et al.  
5,605,456 A 2/1997 Young  
5,622,497 A 4/1997 Cho  
5,658,143 A 8/1997 Kuperman  
5,766,007 A 6/1998 Huffman  
5,769,634 A 6/1998 Choi  
6,149,428 A \* 11/2000 Mogensen ..... 433/74  
6,193,511 B1 \* 2/2001 Hudson ..... 433/54  
6,425,759 B1 \* 7/2002 Cronin ..... 433/34  
6,726,477 B2 \* 4/2004 Gittleman ..... 433/34  
6,884,068 B2 \* 4/2005 Huffman ..... 433/60  
6,932,608 B1 \* 8/2005 Gagliano et al. .... 433/213

(51) **LOC (8) Cl.** ..... **24-03**  
(52) **U.S. Cl.** ..... **D24/182**  
(58) **Field of Classification Search** ..... D24/156,  
D24/152, 155, 176, 180, 181, 197, 182; 249/124;  
433/34, 54, 60, 61, 64, 74, 213; 604/77  
See application file for complete search history.

\* cited by examiner

*Primary Examiner*—Charles A. Rademaker  
(74) *Attorney, Agent, or Firm*—Rudoler & DeRosa LLC

(56) **References Cited**

U.S. PATENT DOCUMENTS

2,827,899 A \* 3/1958 Altieri ..... D24/176  
D210,278 S \* 2/1968 White ..... D24/181  
3,416,527 A \* 12/1968 Hoef ..... 604/77  
4,496,320 A 1/1985 Hwang et al.  
4,608,016 A 8/1986 Zeiser  
4,734,033 A 3/1988 Huffman  
D295,218 S \* 4/1988 Kwok ..... D24/181  
D295,314 S \* 4/1988 Kwok ..... D24/182  
4,786,253 A 11/1988 Morais  
4,797,097 A 1/1989 Cohn  
4,865,544 A 9/1989 Scruggs  
D305,361 S \* 1/1990 Huffman ..... D24/182  
5,026,279 A 6/1991 Wilke  
5,046,949 A 9/1991 Richardson  
5,076,786 A 12/1991 Callne  
5,221,203 A 6/1993 Callne

(57) **CLAIM**

I claim the ornamental design for a dental articulator full arch, as shown and described.

**DESCRIPTION**

FIG. 1 is a perspective view in the open position for a dental articulator full arch showing our new design thereof;  
FIG. 2 is a top plan view thereof;  
FIG. 3 is a front elevational view thereof;  
FIG. 4 is a left side elevational view thereof with the right side elevational view being a mirror image thereof;  
FIG. 5 is a rear end view thereof;  
FIG. 6 is a bottom view thereof; and,  
FIG. 7 is a perspective view in the closed position for the dental articulator full arch.

**1 Claim, 7 Drawing Sheets**

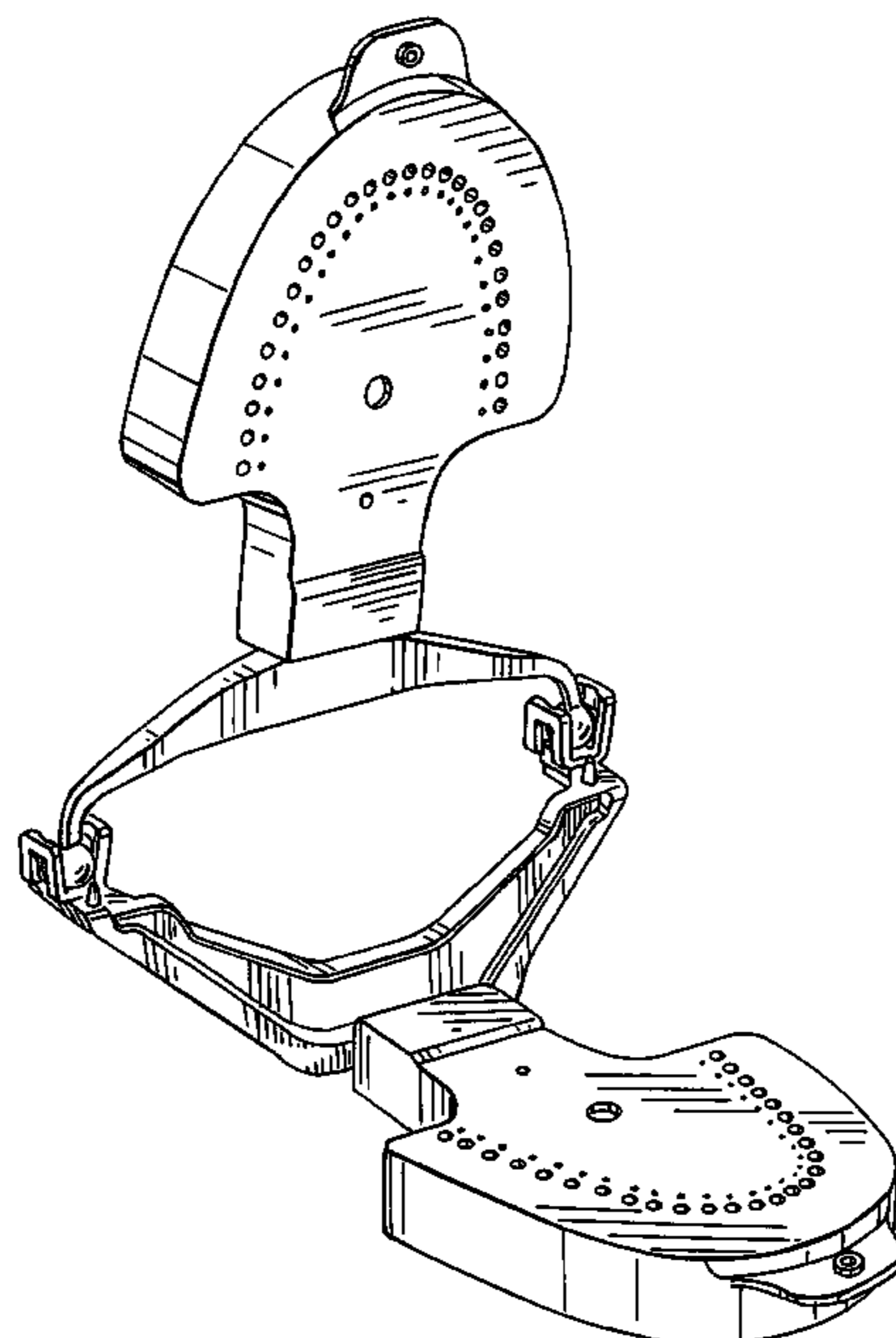


FIG. 1

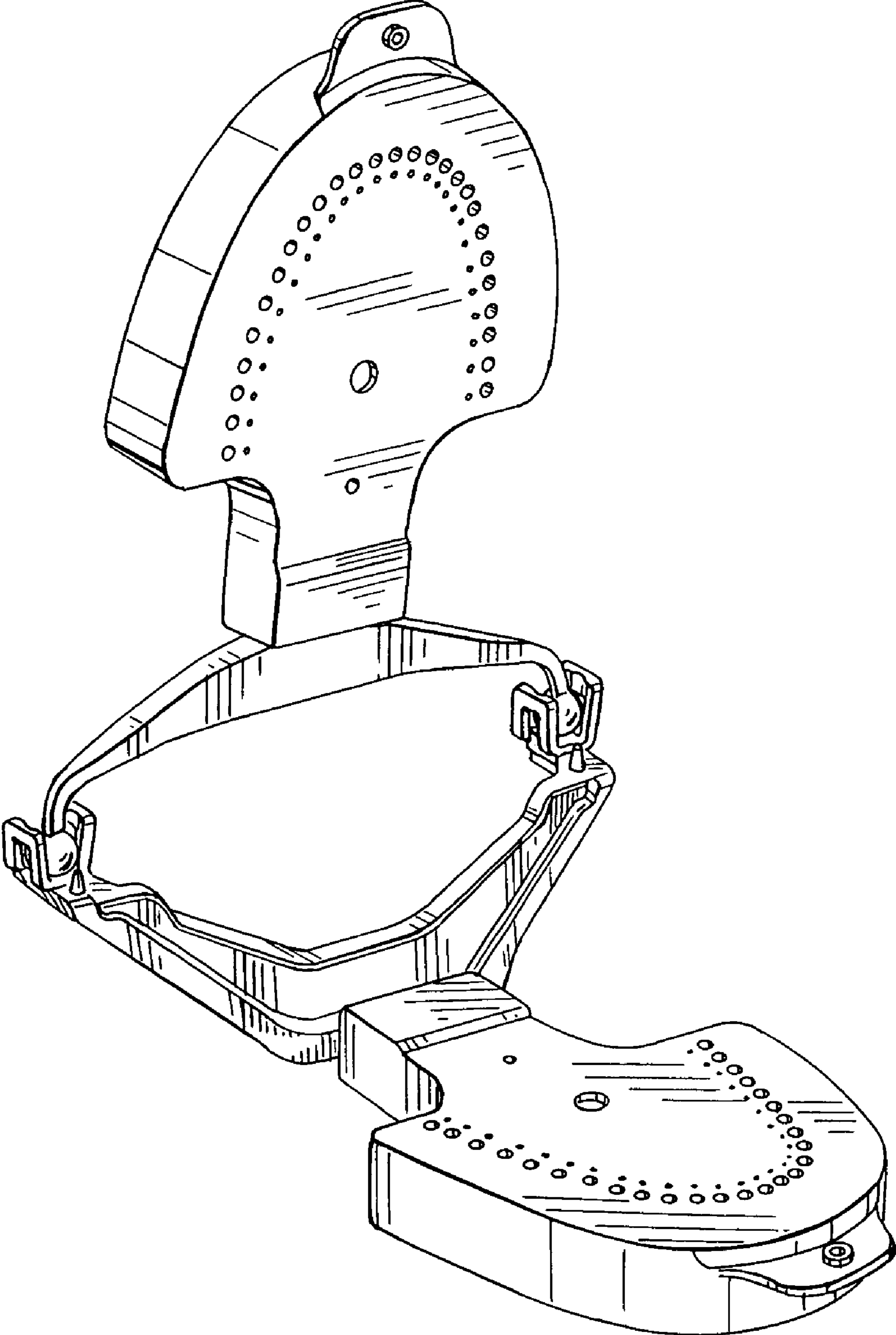


FIG. 2

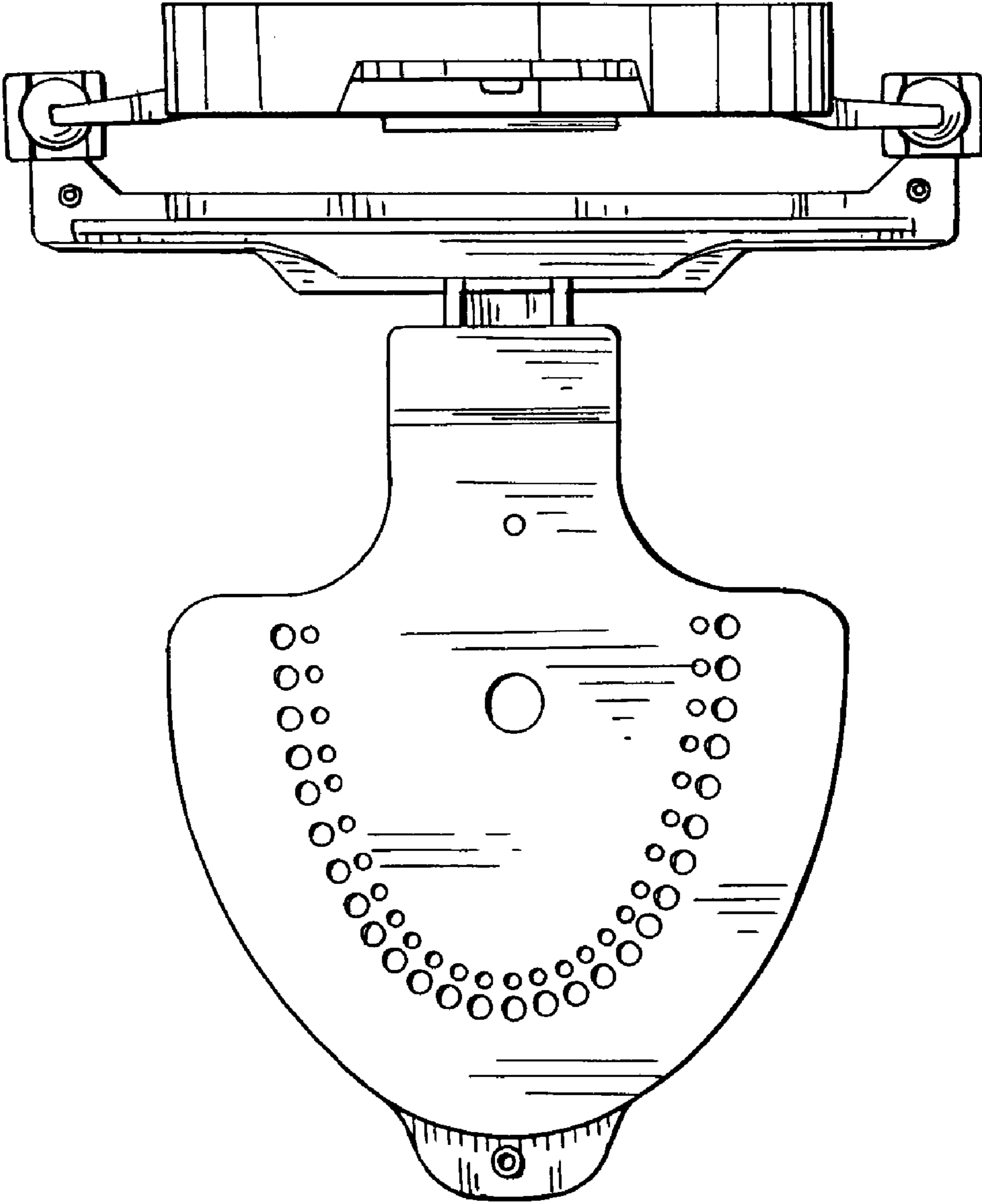


FIG. 3

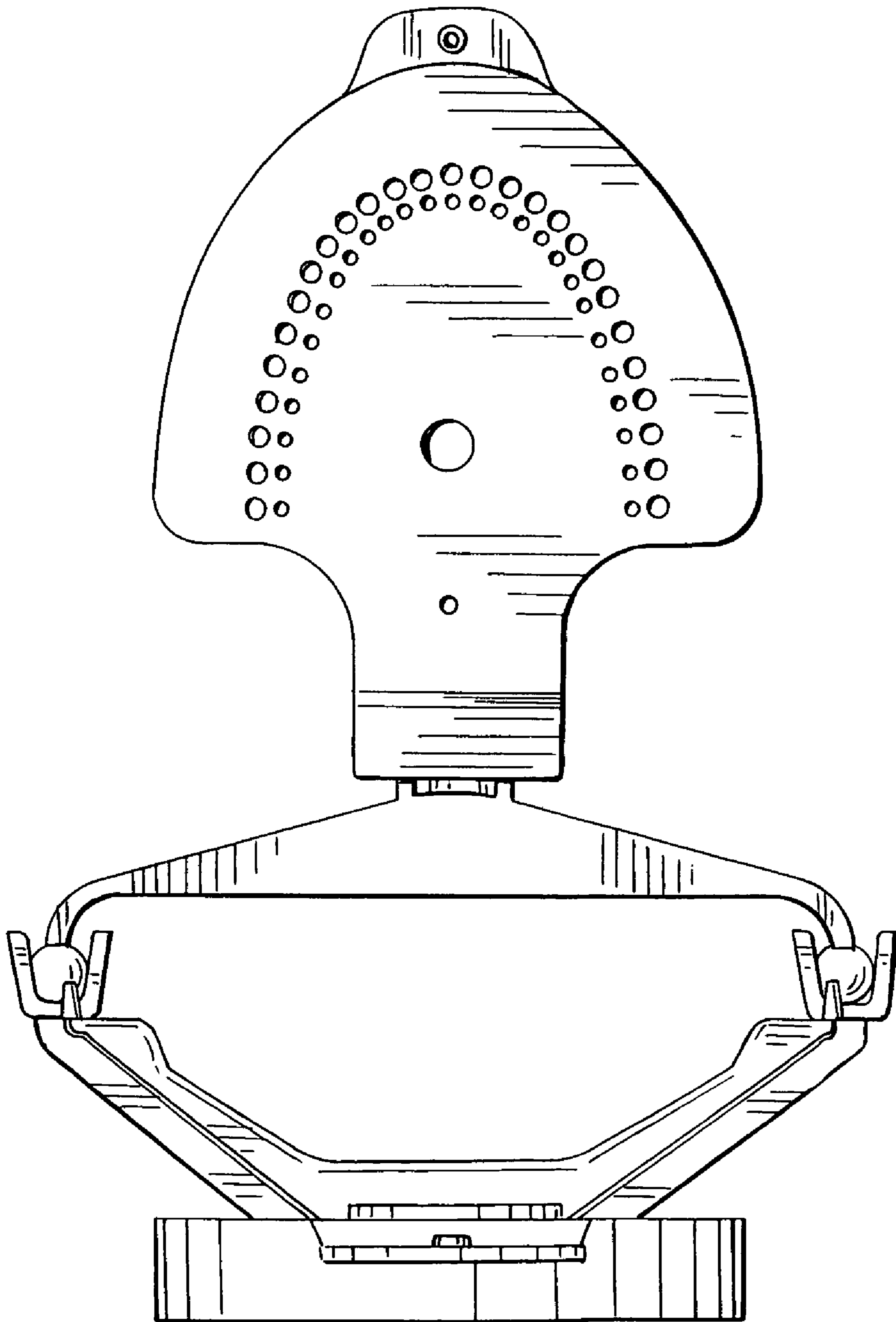


FIG. 4

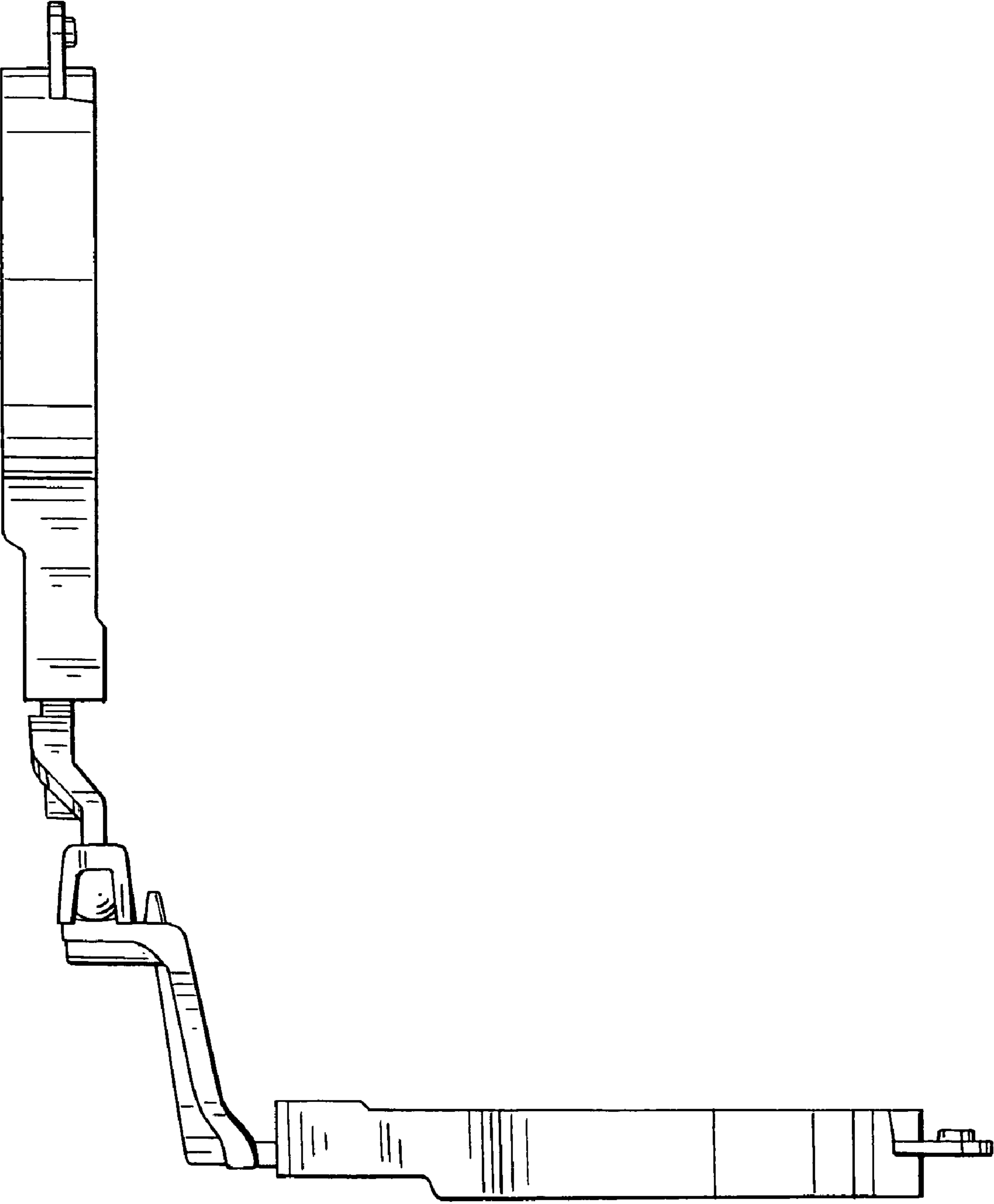


FIG. 5

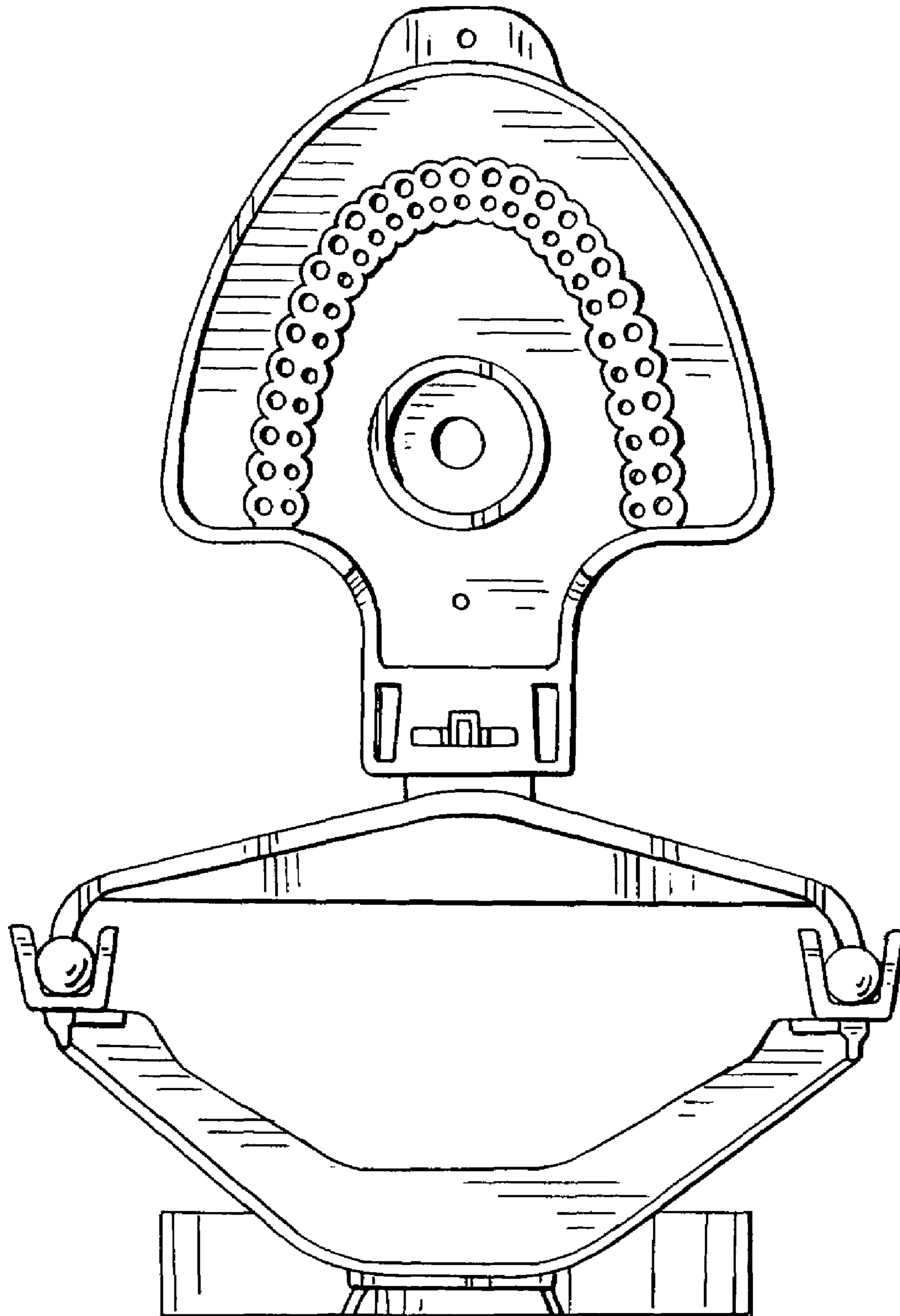


FIG. 6

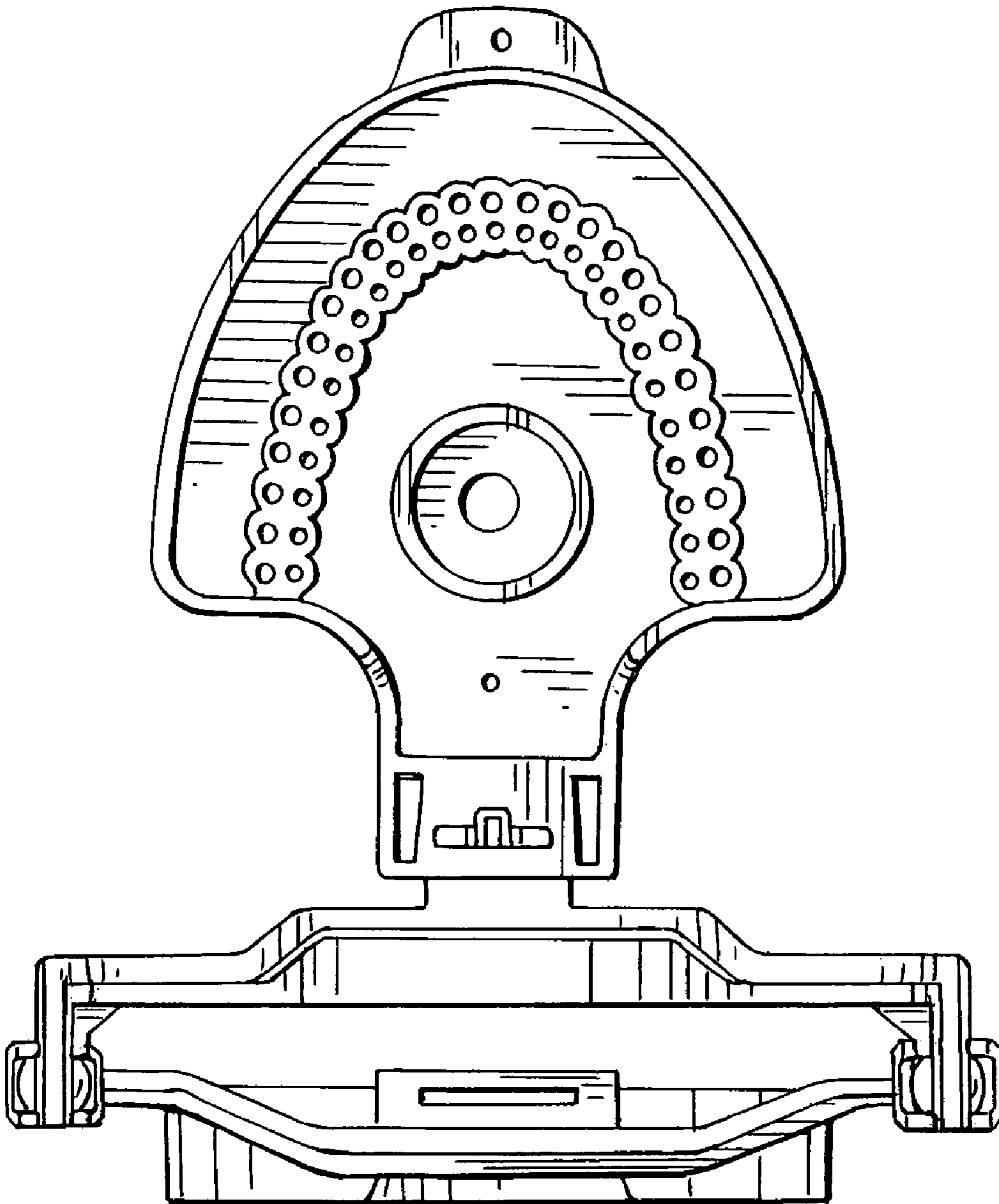


FIG. 7

