



US00D551766S

(12) **United States Design Patent**
Bertagnole et al.

(10) **Patent No.:** **US D551,766 S**

(45) **Date of Patent:** **** Sep. 25, 2007**

(54) **EXTERNAL DEFIBRILLATOR**

(75) Inventors: **Shawn R. Bertagnole**, Lake Stevens,
WA (US); **Richard J. Cardin**, Duvall,
WA (US)

(73) Assignee: **MedTronic Emergency Response
Systems, Inc.**, Redmond, WA (US)

(**) Term: **14 Years**

(21) Appl. No.: **29/235,269**

(22) Filed: **Jul. 30, 2005**

(51) **LOC (8) Cl.** **24-01**

(52) **U.S. Cl.** **D24/167**

(58) **Field of Classification Search** D24/165-169,
D24/186; 607/5, 7, 8, 62, 74, 142; 600/323,
600/324

See application file for complete search history.

(56) **References Cited**

U.S. PATENT DOCUMENTS

D358,583 S * 5/1995 Winkler D24/186
D372,977 S * 8/1996 Bishay D24/167
6,088,616 A * 7/2000 Olson et al. 607/5

D447,241 S * 8/2001 Deck D24/167
D471,279 S * 3/2003 Locke et al. D24/167
6,631,290 B1 * 10/2003 Guck et al. 600/509
D484,981 S * 1/2004 Faller et al. D24/167
D490,156 S * 5/2004 Fischer et al. D24/167

* cited by examiner

Primary Examiner—Louis S. Zarfaz

Assistant Examiner—Anhdao Doan

(74) *Attorney, Agent, or Firm*—Mary Y. Redman

(57) **CLAIM**

The ornamental design for an external defibrillator, as shown
and described.

DESCRIPTION

FIG. 1 is a perspective view of the defibrillator;
FIG. 2 is another perspective view of the defibrillator of FIG.
1;
FIG. 3 is a top view of the defibrillator of FIG. 1;
FIG. 4 is a bottom view of the defibrillator of FIG. 1;
FIG. 5 is a side view of the defibrillator of FIG. 1; and,
FIG. 6 is another side view of the defibrillator of FIG. 1.

1 Claim, 6 Drawing Sheets

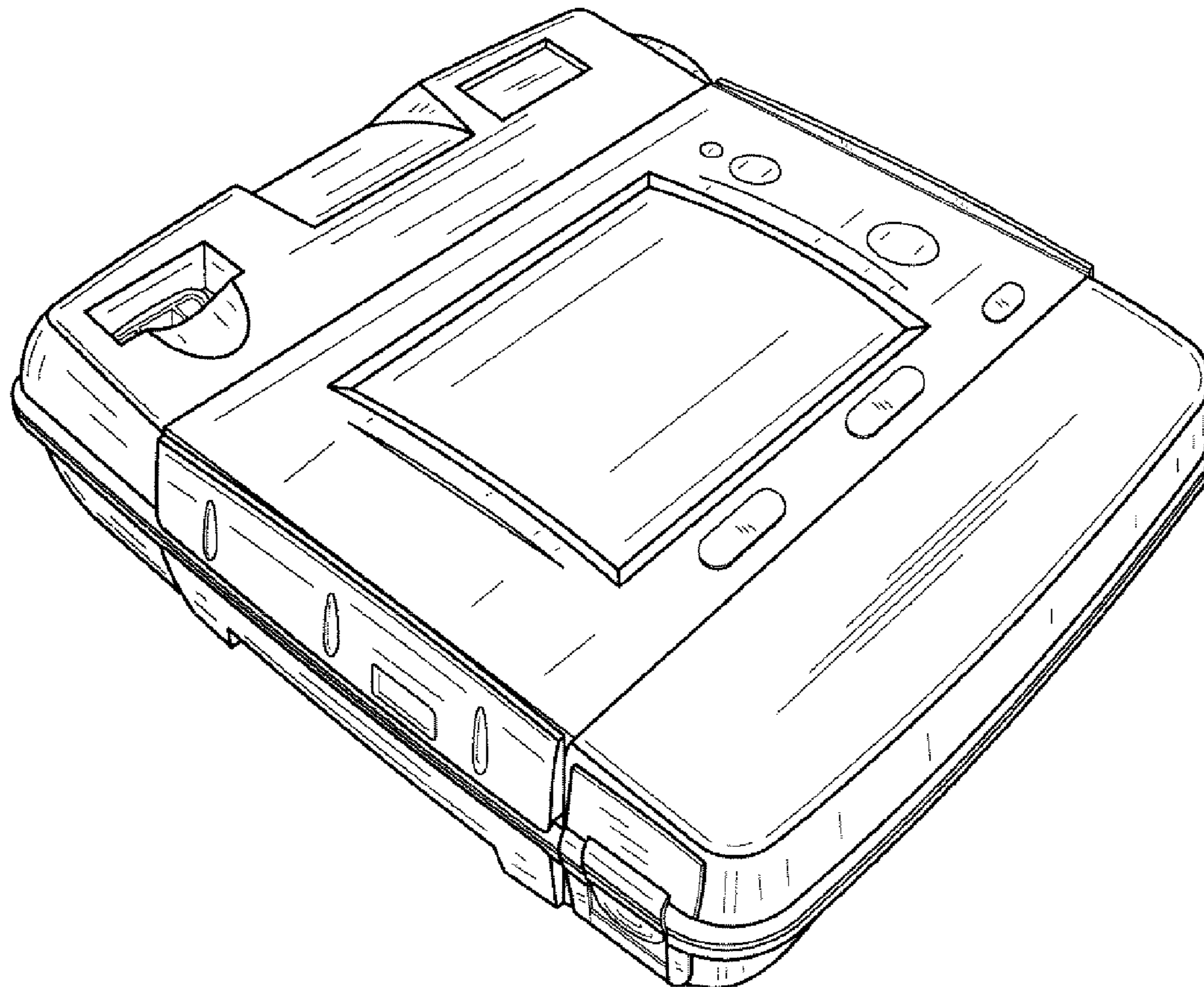


FIG. 1

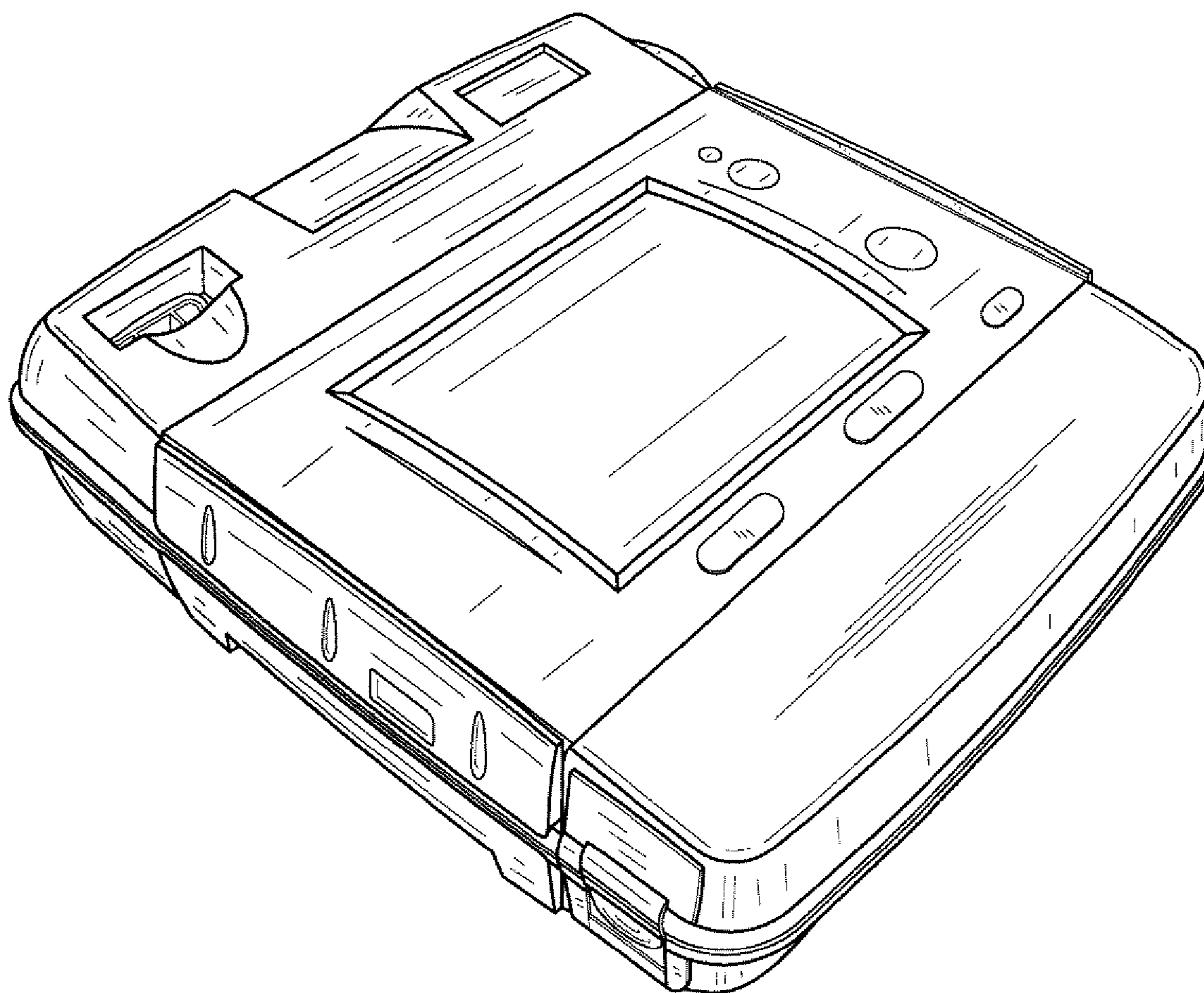


FIG. 2

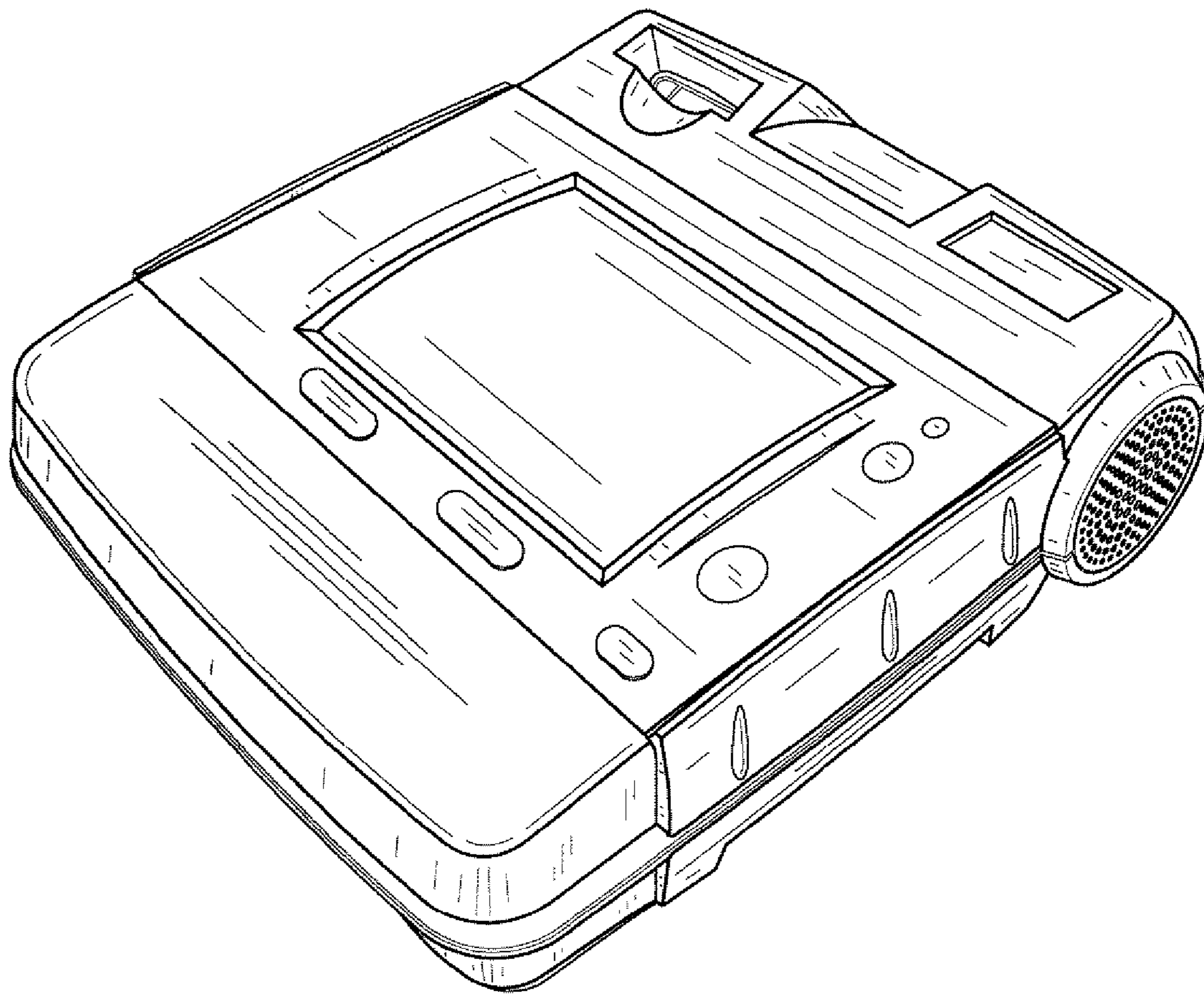


FIG. 3

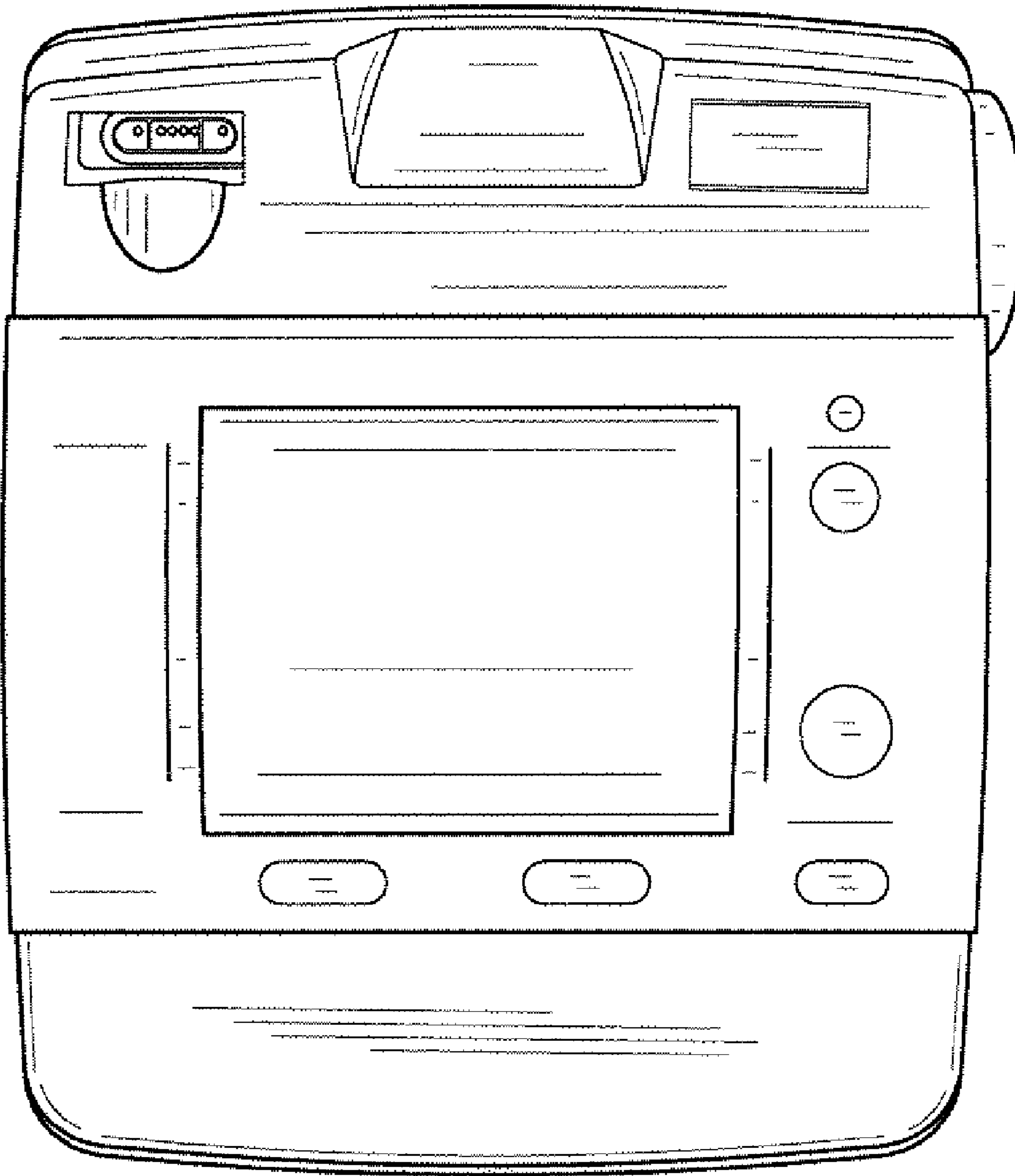


FIG. 4

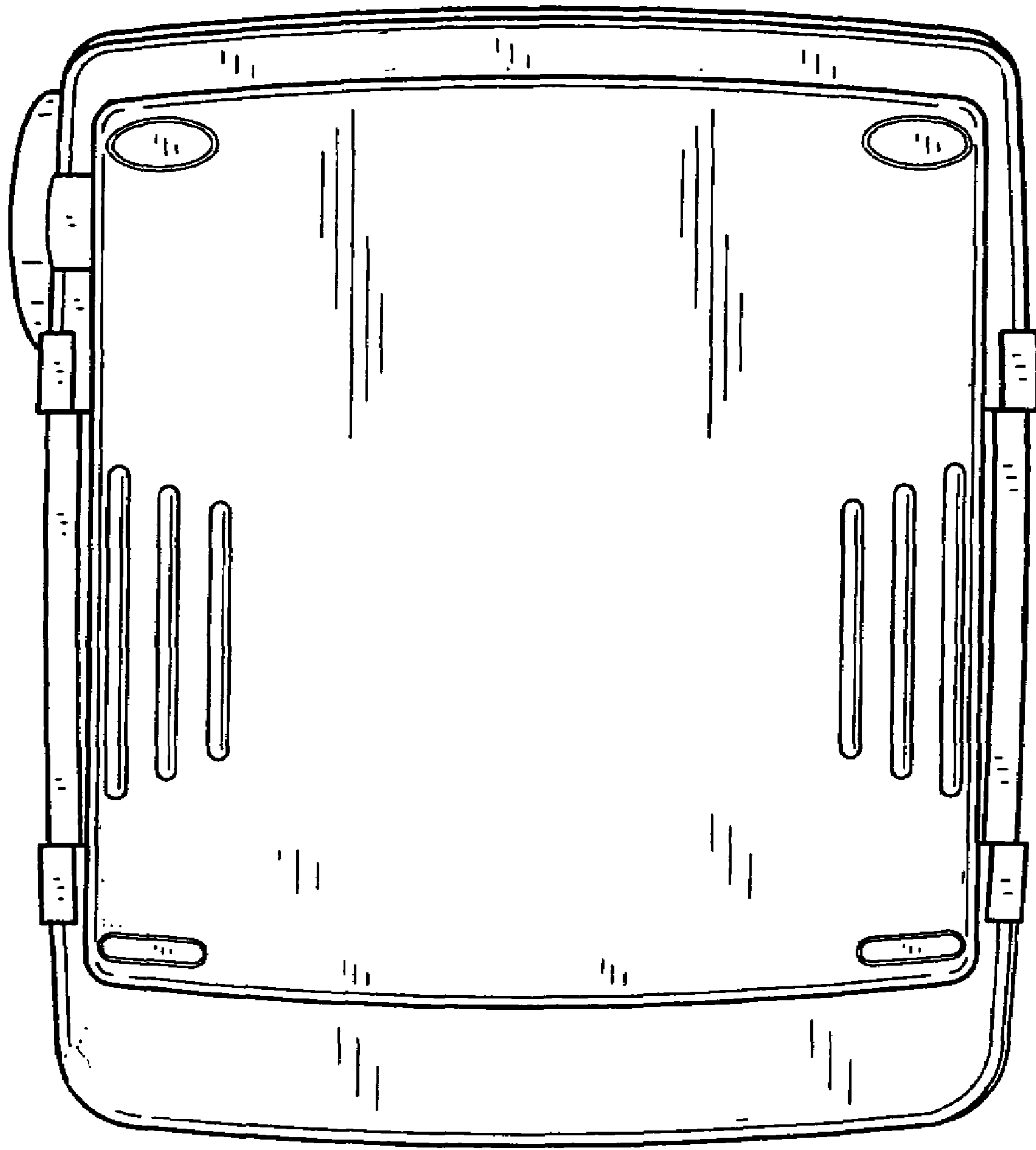


FIG. 5

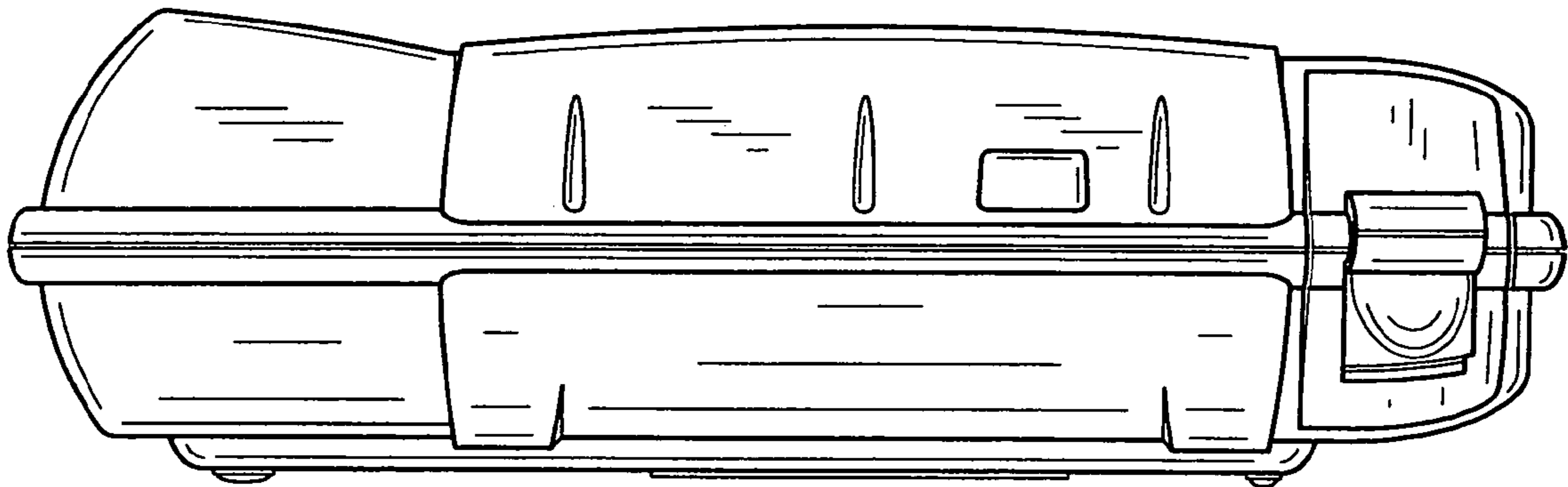


FIG. 6

