



US00D551765S

(12) **United States Design Patent**
Berry Pitts et al.

(10) **Patent No.:** **US D551,765 S**

(45) **Date of Patent:** **** Sep. 25, 2007**

(54) **DENTAL APPARATUS**

(75) Inventors: **Nigel Berry Pitts**, Dundee (GB);
Christopher Longbottom, Dundee
(GB); **Przemyslaw Los**, Dundee (GB)

(73) Assignee: **IDMOS PLC**, Angus (GB)

(**) Term: **14 Years**

(21) Appl. No.: **29/241,225**

(22) Filed: **Oct. 26, 2005**

(30) **Foreign Application Priority Data**

Apr. 26, 2005 (EM) 000336631

(51) **LOC (8) Cl.** **24-03**

(52) **U.S. Cl.** **D24/152**

(58) **Field of Classification Search** D24/152,
D24/154, 133; 433/3, 141, 114, 119, 118,
433/321, 322; 604/1

See application file for complete search history.

(56) **References Cited**

U.S. PATENT DOCUMENTS

D110,936 S *	8/1938	Wiseman	D24/154
D121,506 S *	7/1940	Davis	D24/154
3,552,021 A *	1/1971	Graceffo et al.	433/121
5,007,831 A *	4/1991	Bierbaum et al.	433/114
D356,866 S *	3/1995	Meller	D24/152
5,674,068 A *	10/1997	Eibofner	433/114
D389,912 S *	1/1998	Emerson et al.	D24/133

D463,556 S *	9/2002	Bareth et al.	D24/152
D465,279 S *	11/2002	Etter et al.	D24/133
D472,969 S *	4/2003	Wilden	D24/133
6,638,068 B2 *	10/2003	Lingenhole et al.	433/114
6,716,028 B2 *	4/2004	Rahman et al.	433/119
6,821,119 B2 *	11/2004	Shortt et al.	433/118
D499,486 S *	12/2004	Kuhn et al.	D24/152
D504,949 S *	5/2005	Kuhn et al.	D24/152

FOREIGN PATENT DOCUMENTS

GB	1023481	*	5/1985
GB	2071913	*	5/1998

* cited by examiner

Primary Examiner—Charles A. Rademaker

(74) *Attorney, Agent, or Firm*—Sughrue Mion, PLLC

(57) **CLAIM**

The ornamental design for a dental apparatus, as shown.

DESCRIPTION

FIG. 1 is a perspective view of the top, front and right side of a dental apparatus showing our new design;

FIG. 2 is a front elevational view thereof;

FIG. 3 is a rear elevational view thereof;

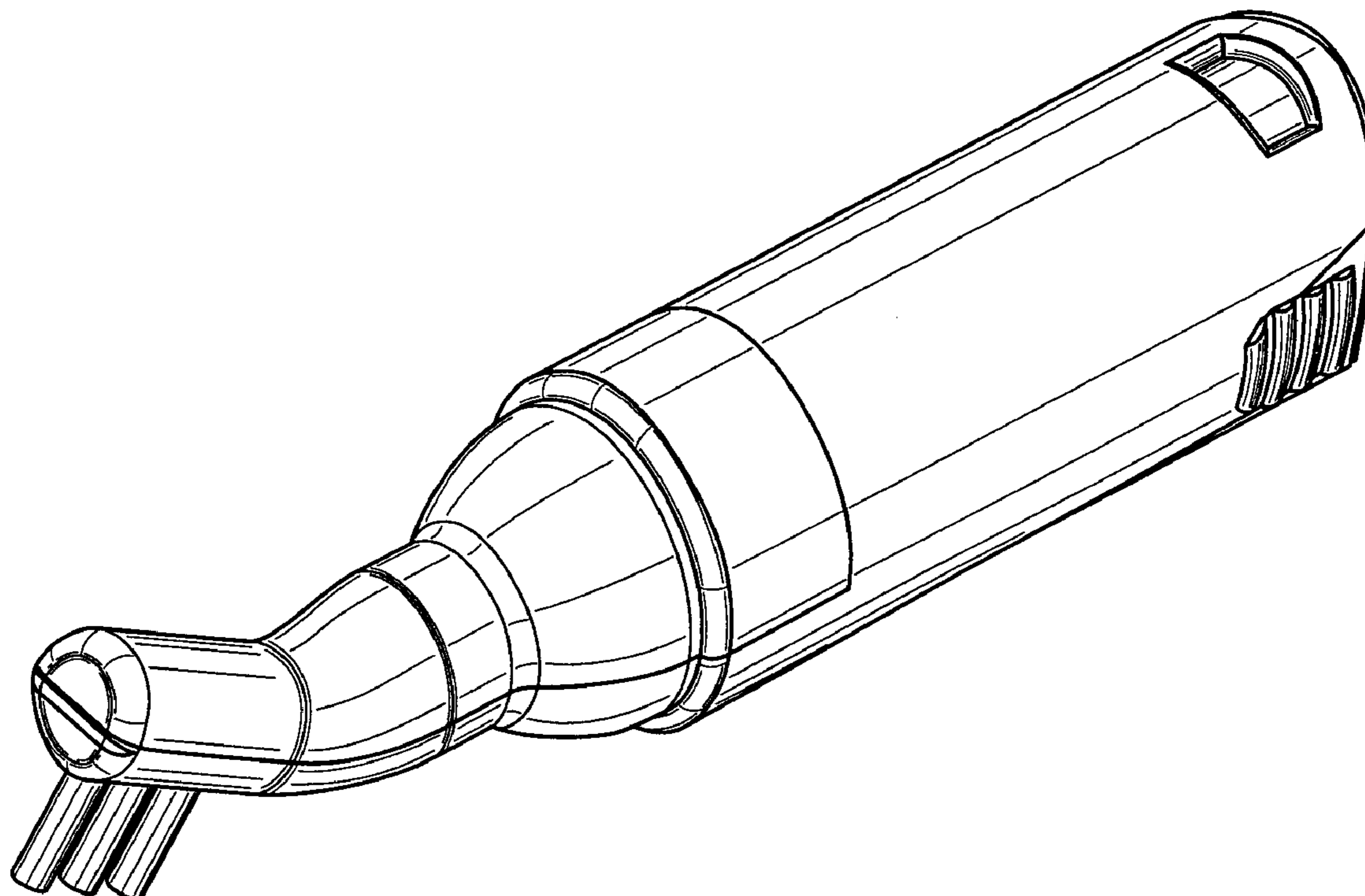
FIG. 4 is a right elevational view thereof;

FIG. 5 is a left elevational view thereof;

FIG. 6 is a top plan view thereof; and,

FIG. 7 is a bottom plan view thereof.

1 Claim, 4 Drawing Sheets



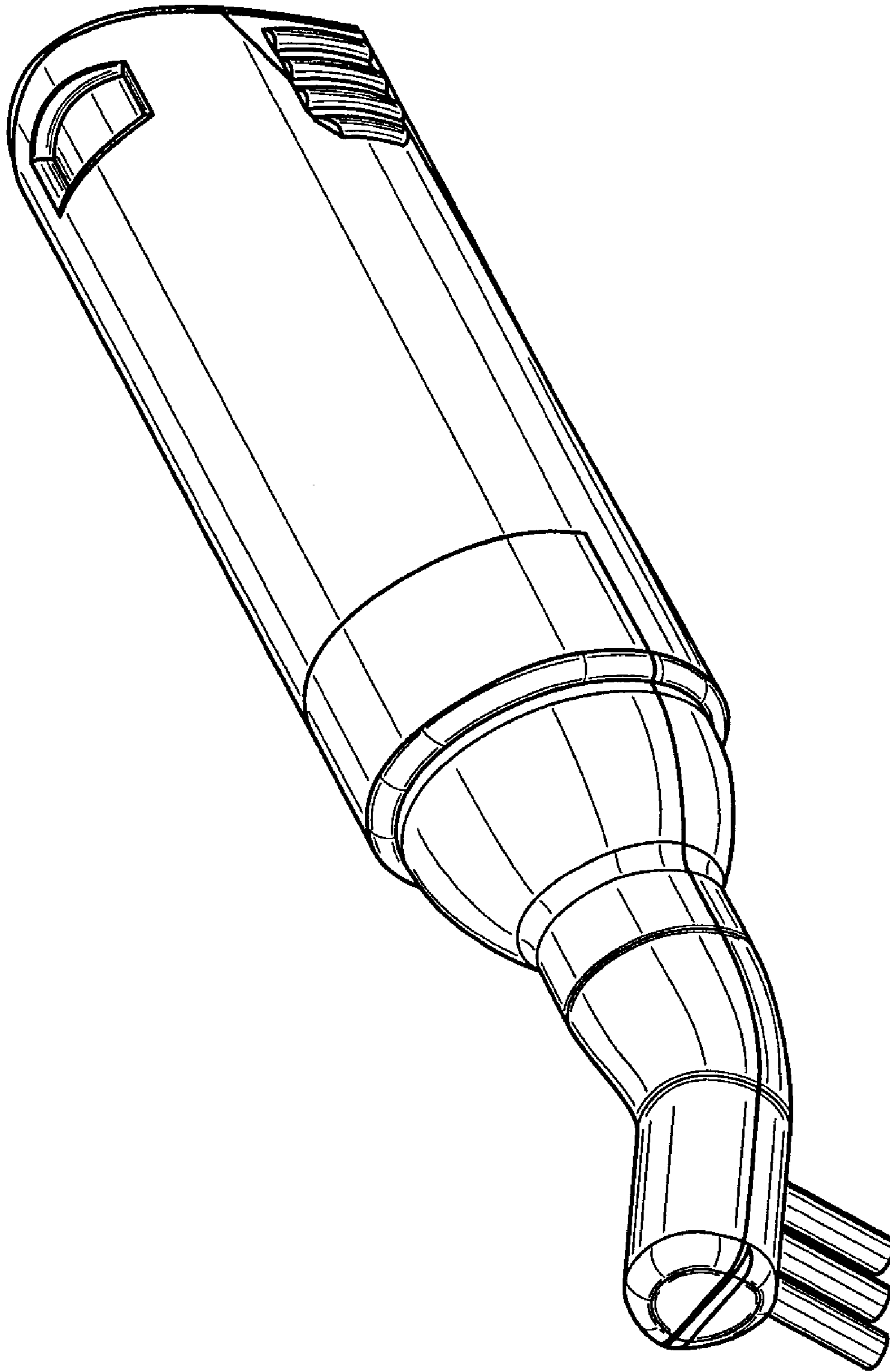


Fig. 1

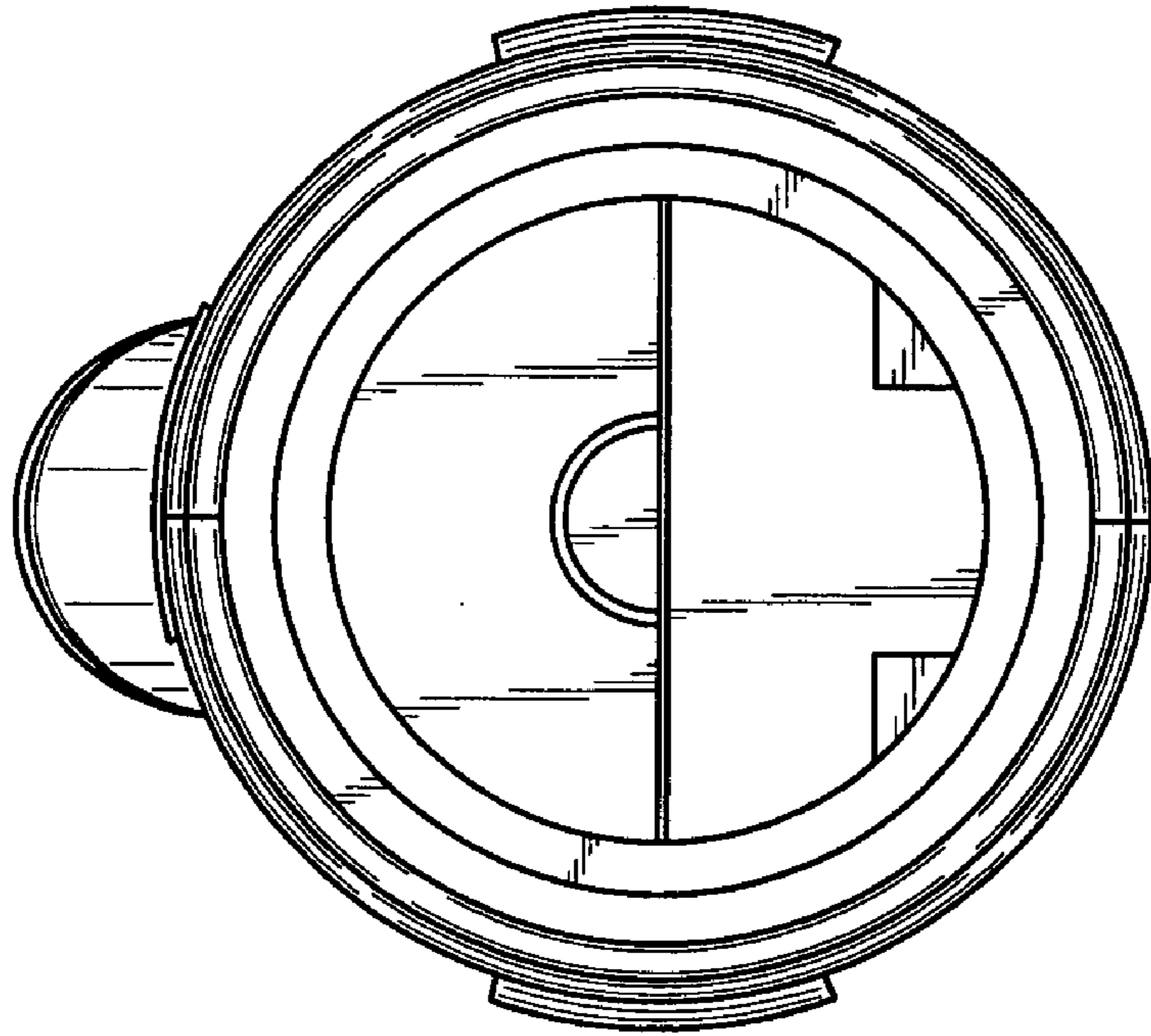


Fig. 3

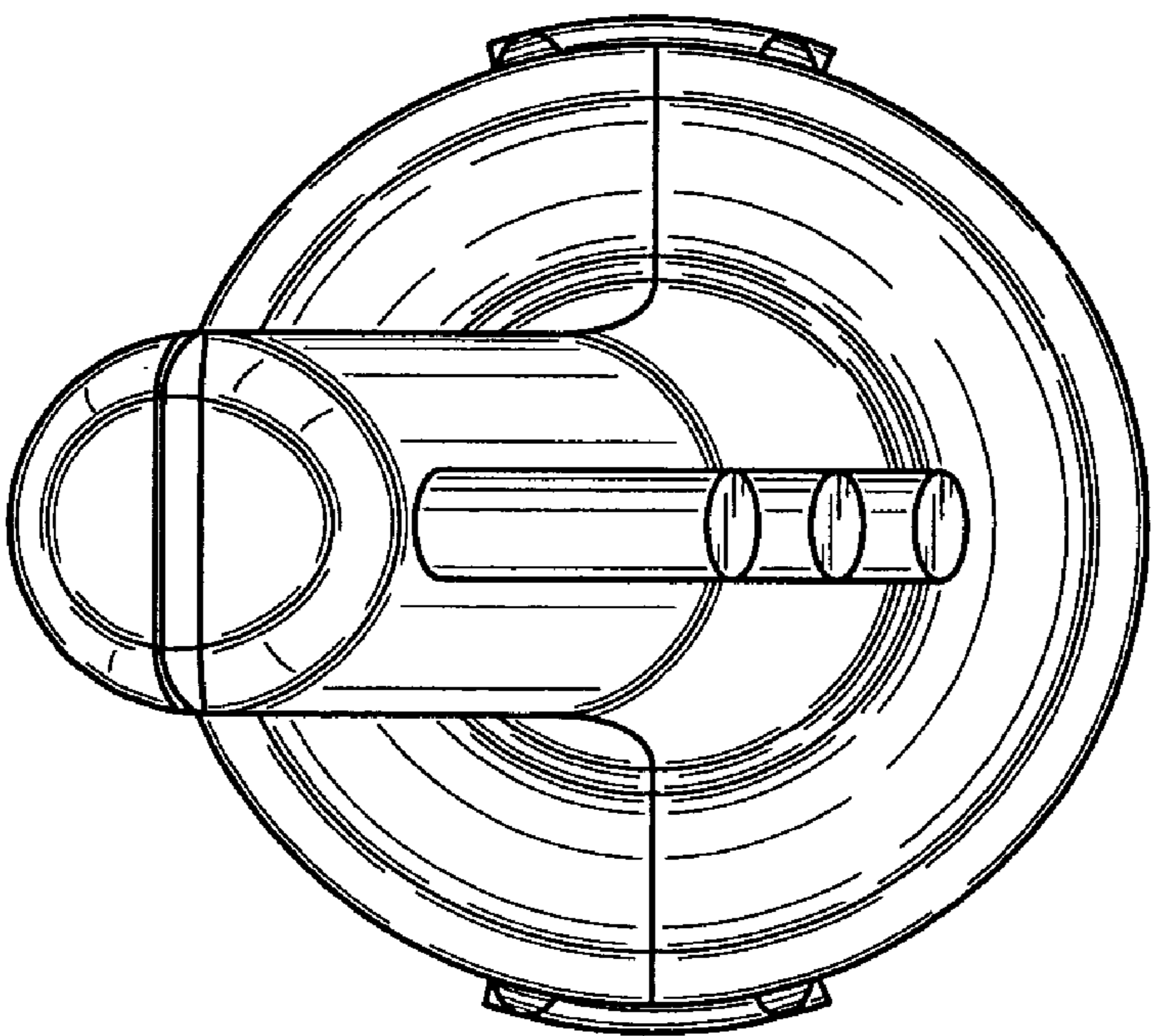


Fig. 2

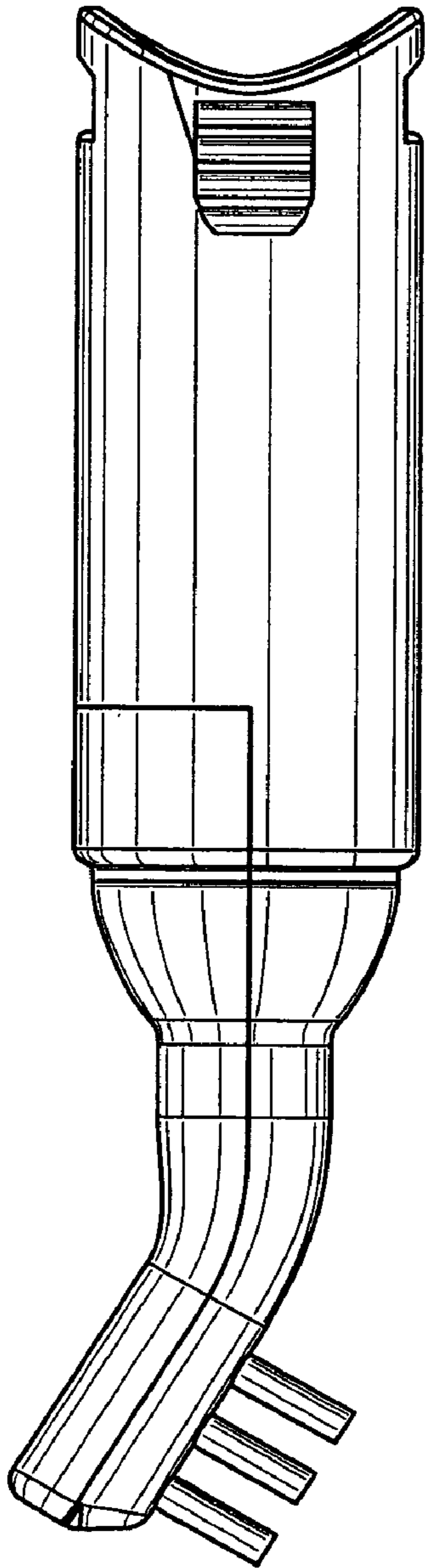


Fig. 4

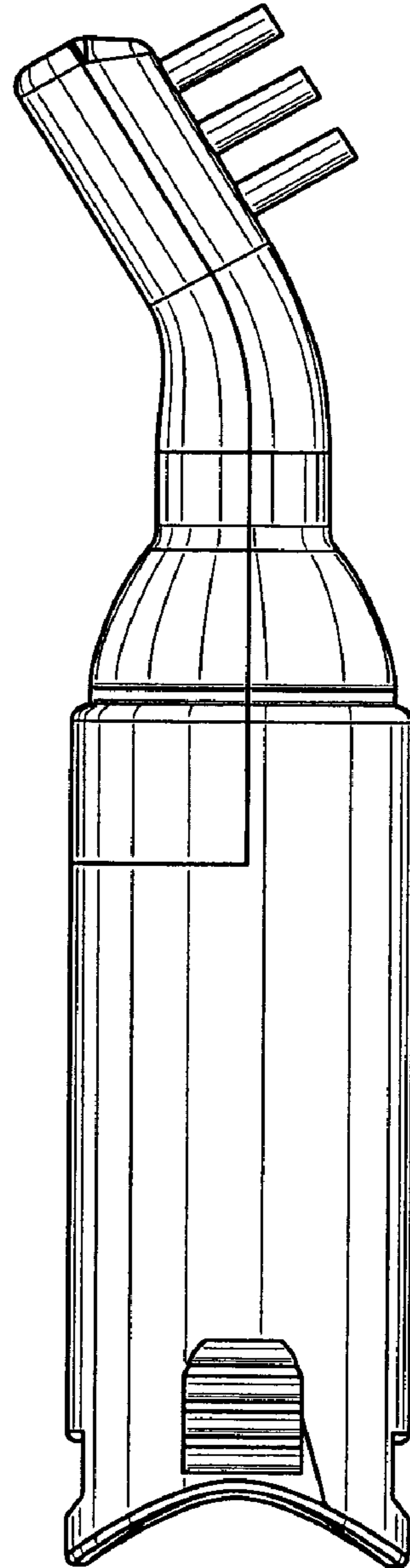


Fig. 5

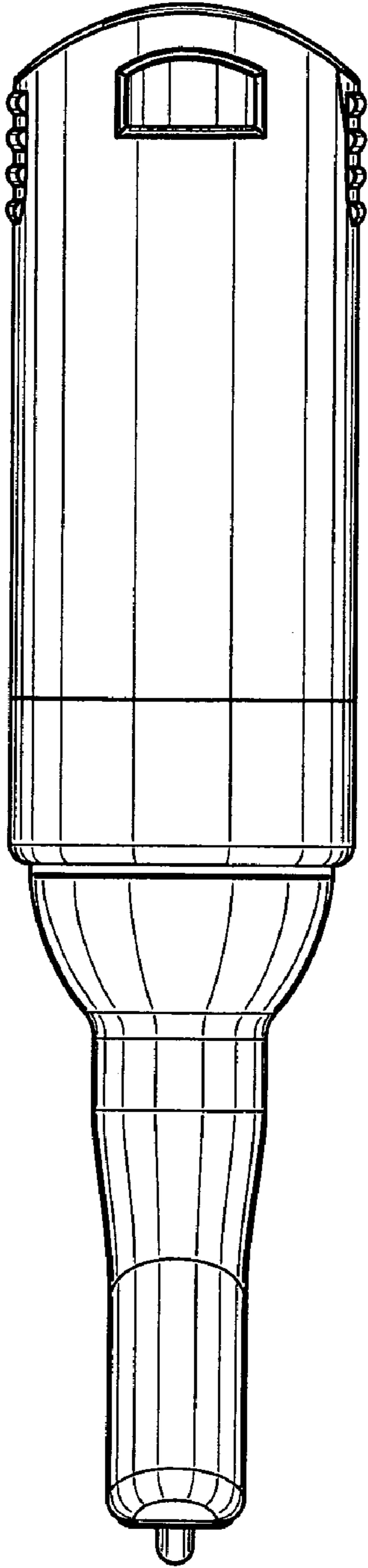


Fig. 6

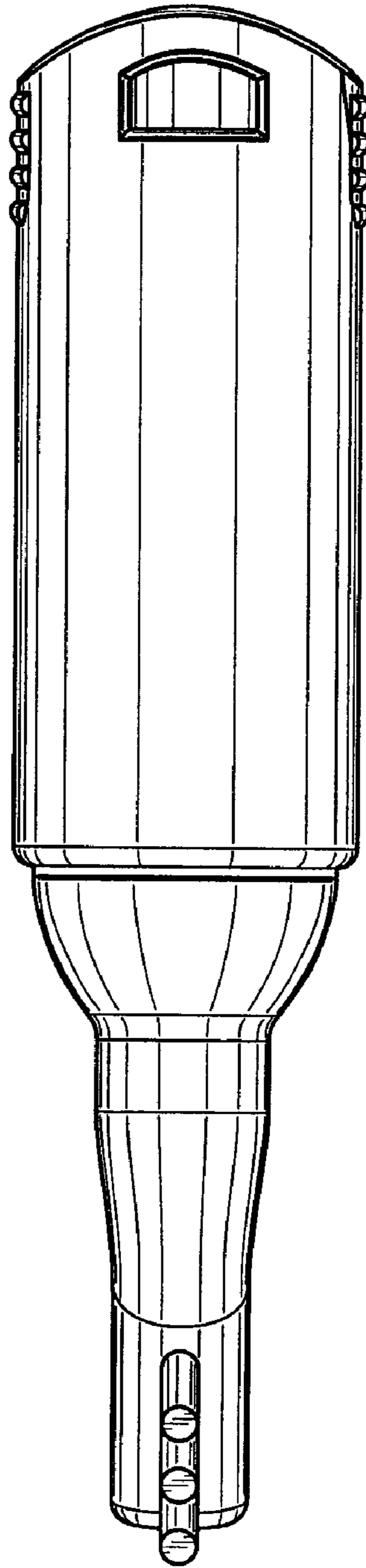


Fig. 7