



US00D551763S

(12) **United States Design Patent** (10) **Patent No.:** **US D551,763 S**
Phillips et al. (45) **Date of Patent:** **** Sep. 25, 2007**

(54) **SURGICAL CLAMP**

(75) Inventors: **Burns Phillips**, Nashville, TN (US);
Larry Griffith, Lakeville, MN (US)

(73) Assignee: **Boss Instruments, Ltd., Inc.**,
Earlsville, VA (US)

(**) Term: **14 Years**

(21) Appl. No.: **29/230,101**

(22) Filed: **May 17, 2005**

(51) **LOC (8) Cl.** **24-02**

(52) **U.S. Cl.** **D24/135**

(58) **Field of Classification Search** D24/135,
D24/128, 143; D8/394; 606/54, 57; 600/234
See application file for complete search history.

(56) **References Cited**

U.S. PATENT DOCUMENTS

5,020,195	A *	6/1991	LeVahn	24/514
5,888,197	A *	3/1999	Mulac et al.	600/234
D443,056	S *	5/2001	Koros et al.	D24/135
D455,831	S *	4/2002	Koros et al.	D24/135
D466,212	S *	11/2002	Koros et al.	D24/135
2003/0229273	A1 *	12/2003	Mulac et al.	600/234

* cited by examiner

Primary Examiner—Ian Simmons
Assistant Examiner—Christopher Lee

(74) *Attorney, Agent, or Firm*—McDermott Will & Emery
LLP

(57) **CLAIM**

The ornamental design for a surgical clamp, as shown and described.

DESCRIPTION

FIG. 1 is a perspective view of a surgical clamp showing our new design;

FIG. 2 is a front plan view of the surgical clamp as shown in FIG. 1;

FIG. 3 is a back plan view of the surgical clamp shown in FIG. 1;

FIG. 4 is a right side plan view of the surgical clamp as shown in FIG. 1;

FIG. 5 is a left side plan view of the surgical clamp as shown in FIG. 1;

FIG. 6 is a top plan view of the surgical clamp as shown in FIG. 1; and,

FIG. 7 is a bottom plan view of the surgical clamp as shown in FIG. 1.

The broken line showing is for illustrative purposes only and forms no part of the claimed design.

1 Claim, 3 Drawing Sheets

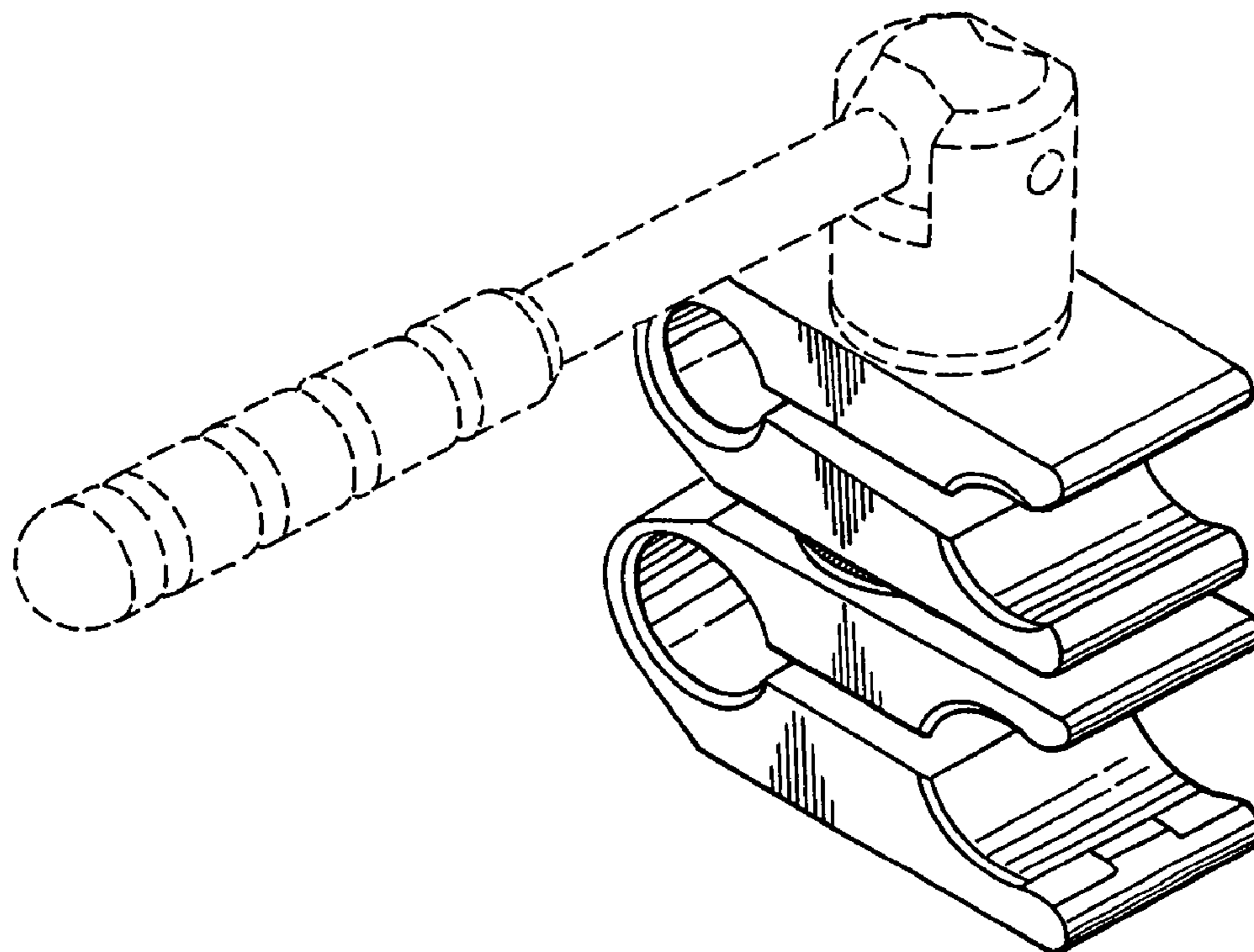


FIG. 1

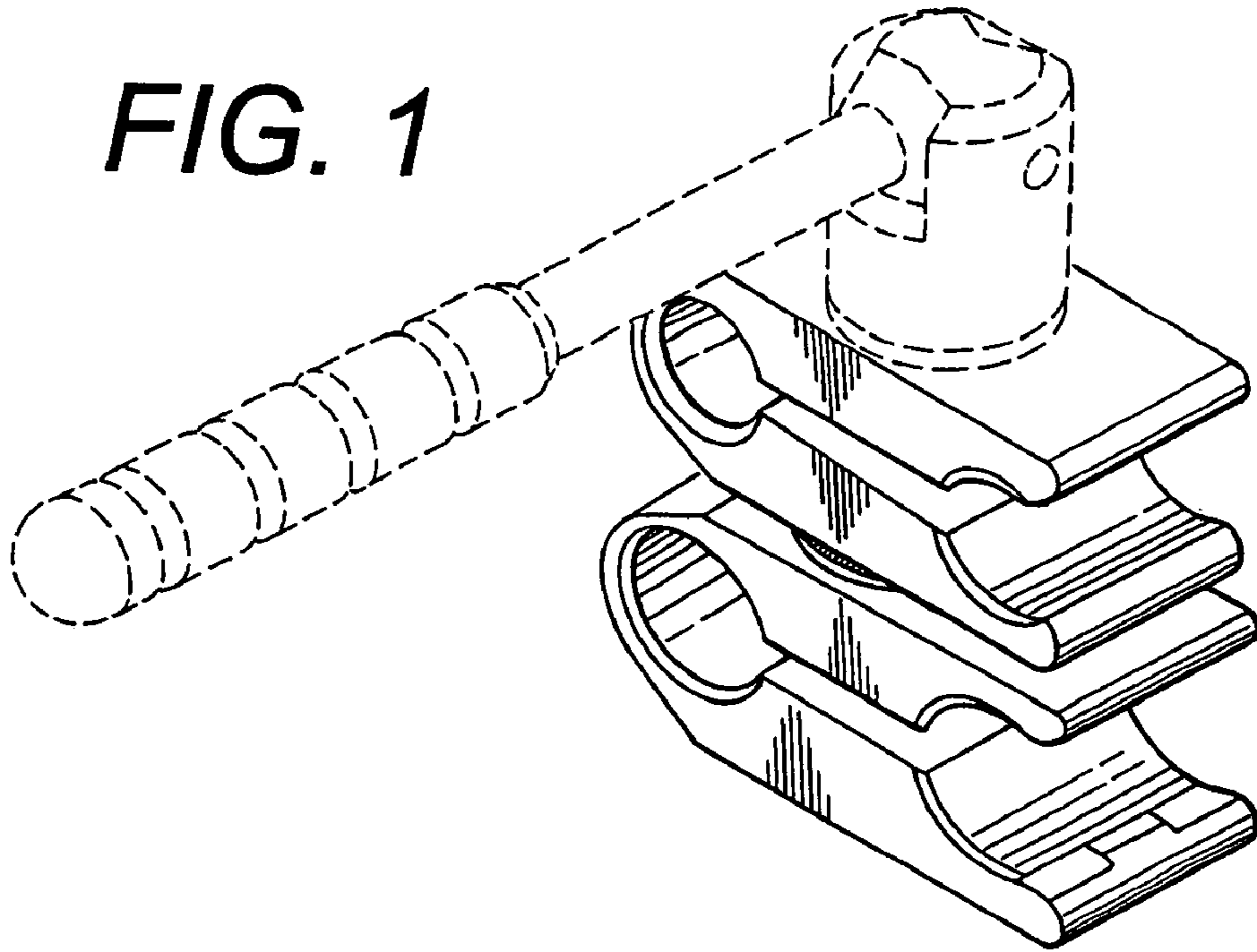
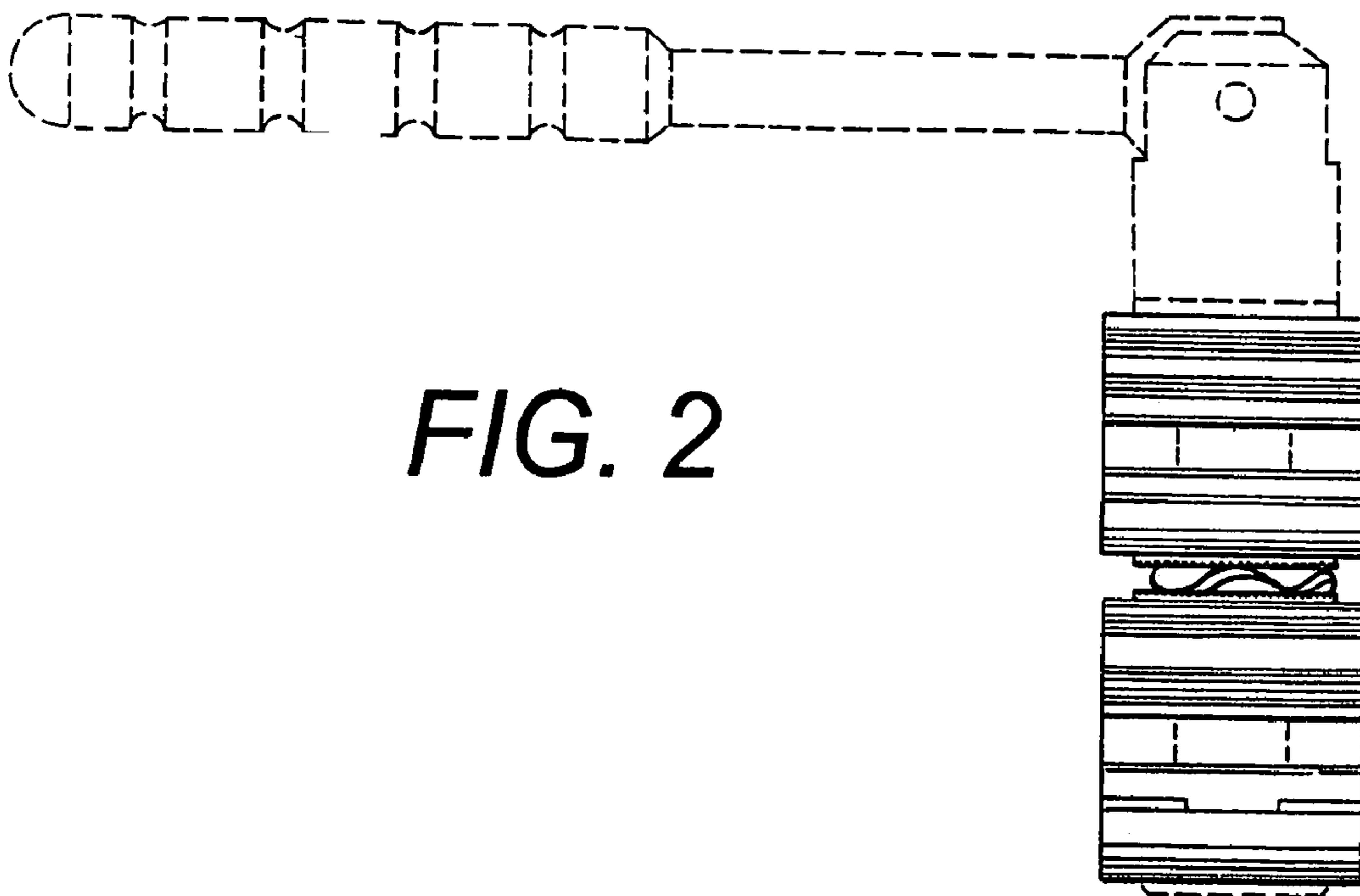


FIG. 2



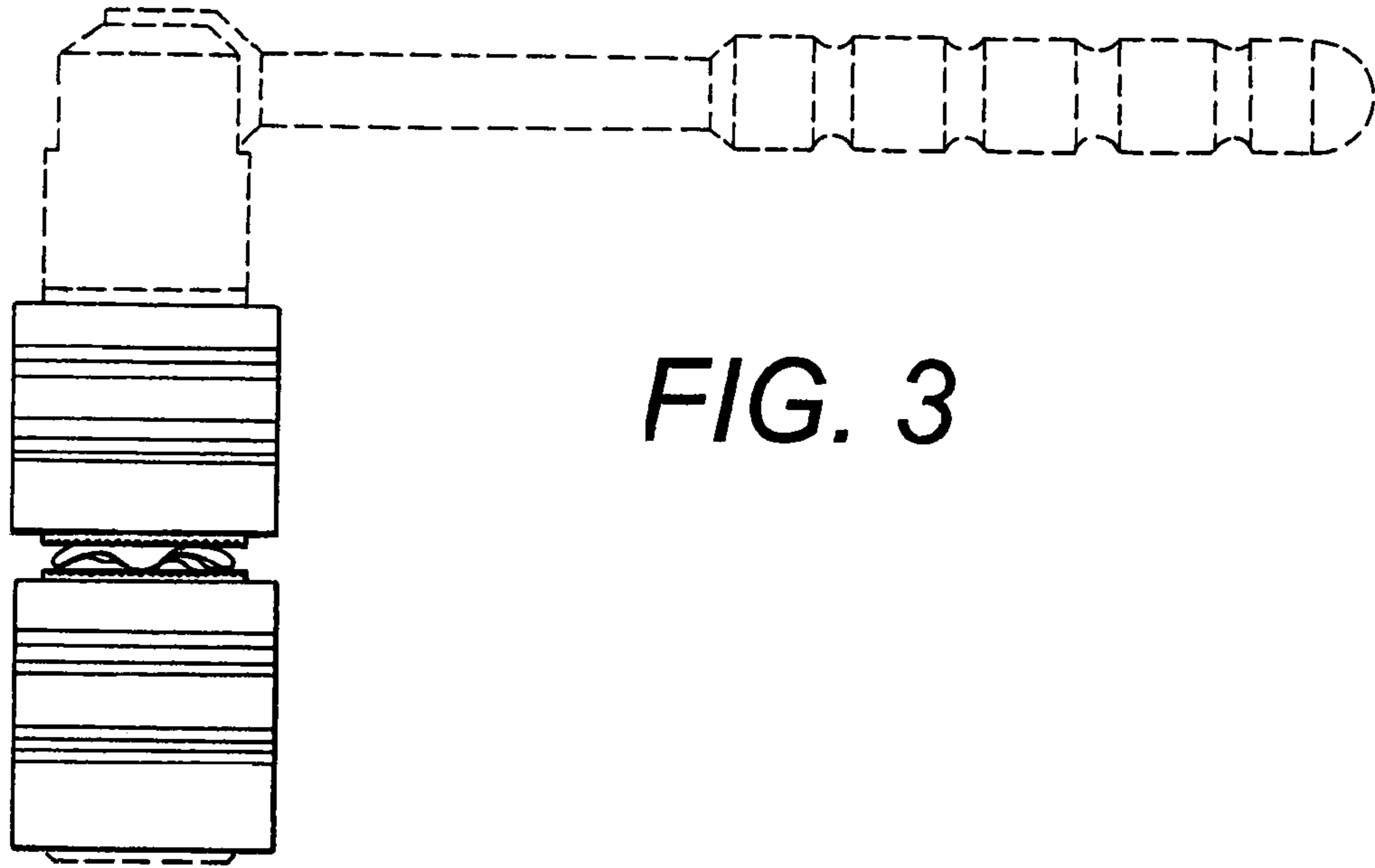


FIG. 3

FIG. 4

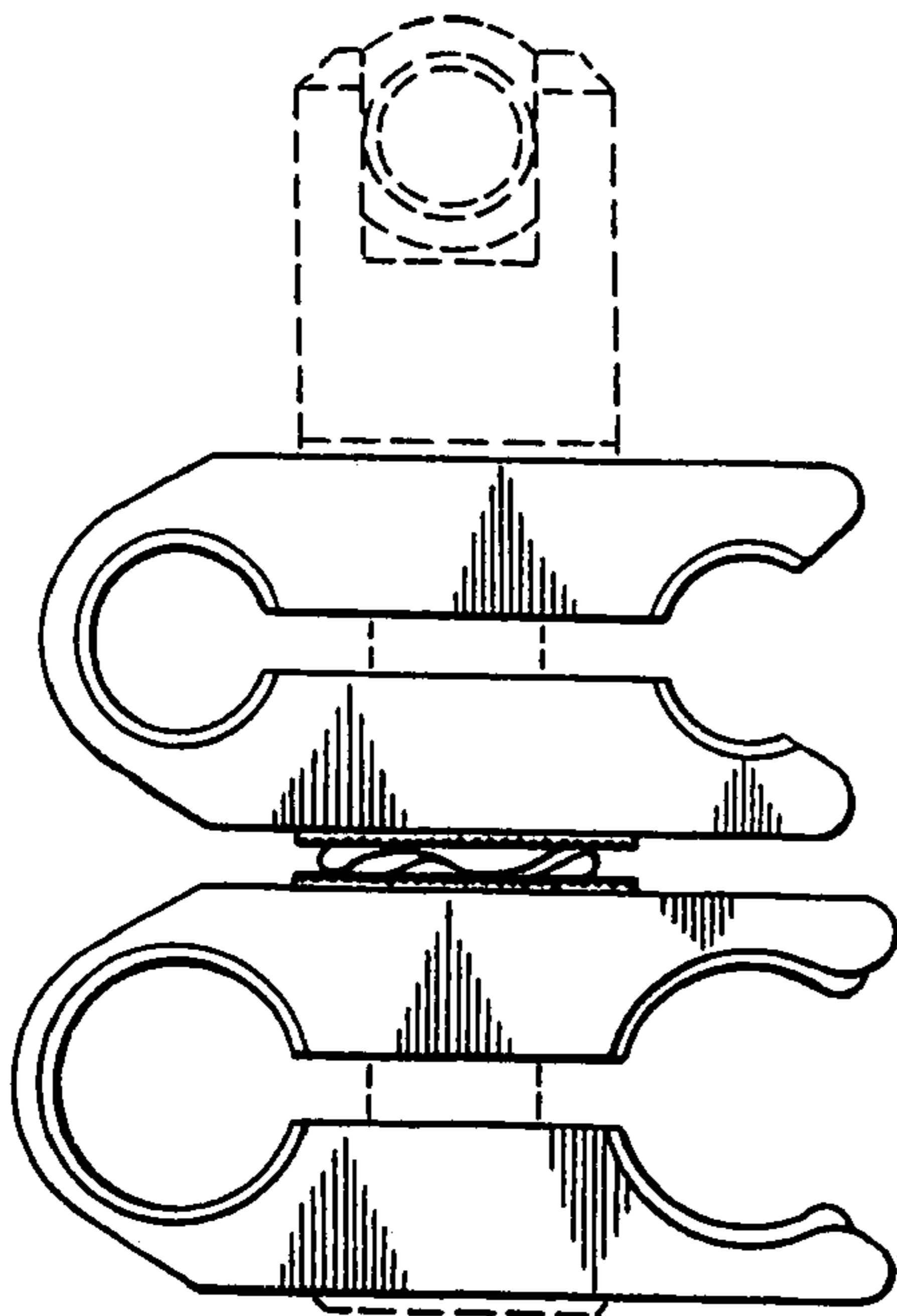


FIG. 5

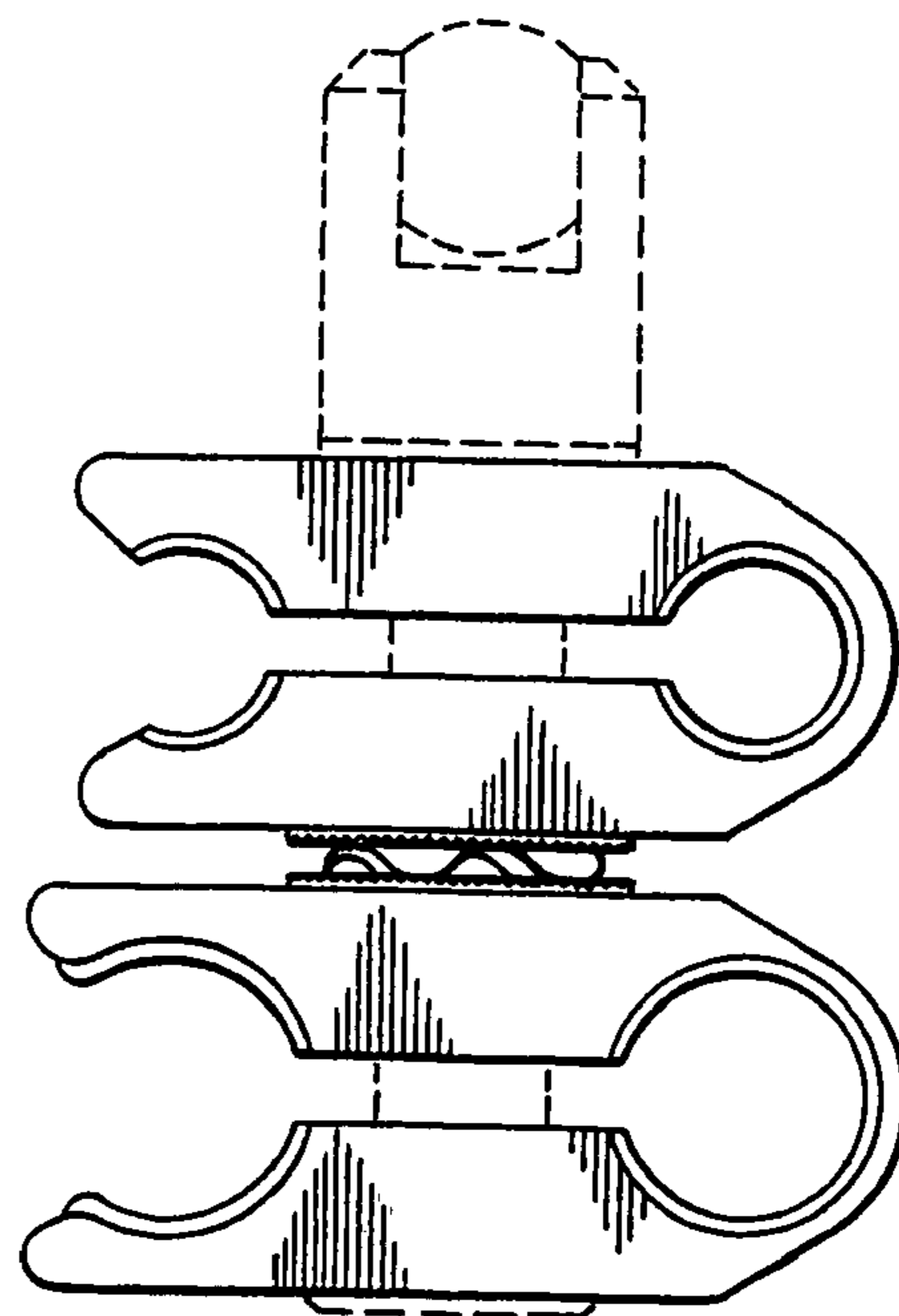


FIG. 6

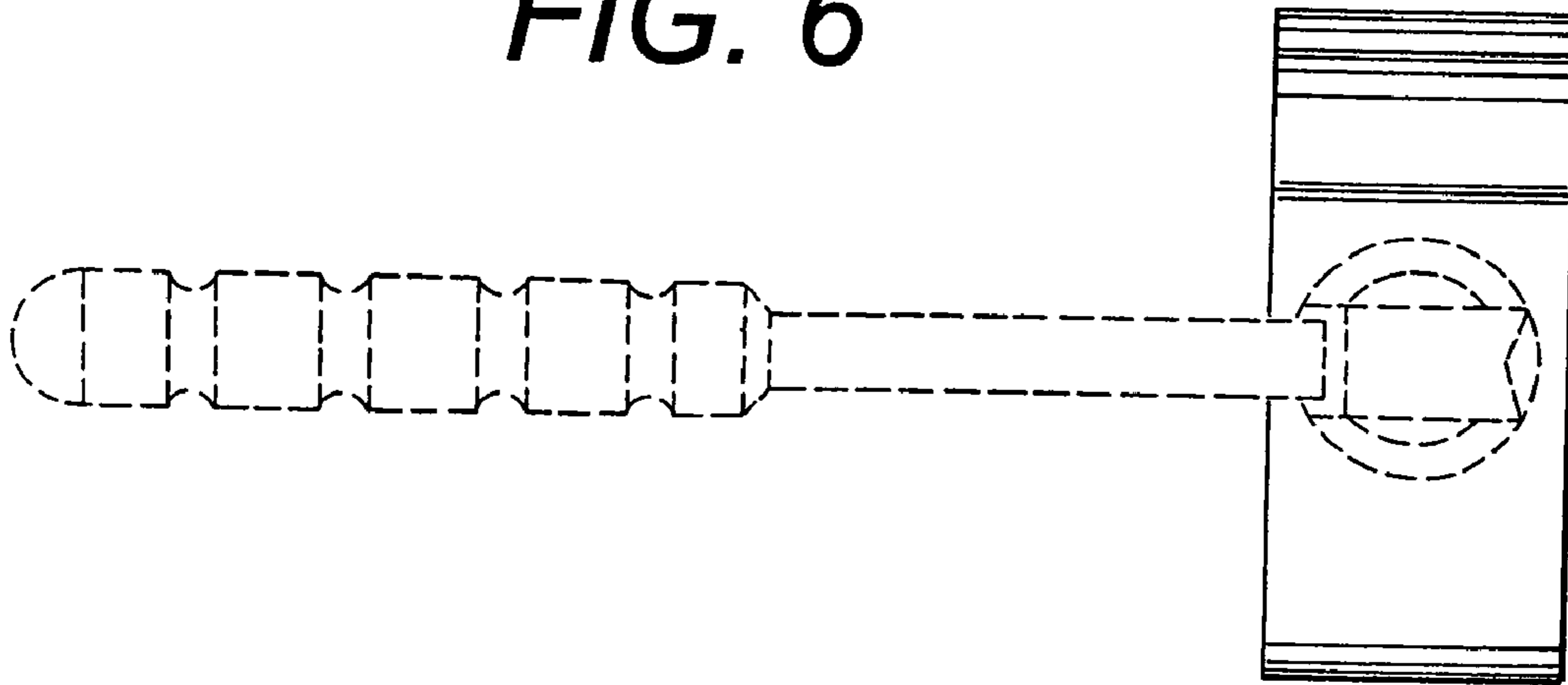


FIG. 7

