



US00D551760S

(12) **United States Design Patent**  
**Zahn et al.**

(10) **Patent No.:** **US D551,760 S**

(45) **Date of Patent:** **\*\* Sep. 25, 2007**

(54) **DISPENSING CONTAINER-SINGLE CHANNEL**

(75) Inventors: **Walter Zahn**, Columbia, SC (US);  
**Shawn W. Miller**, Columbia, SC (US);  
**David Rocheleau**, Lexington, SC (US);  
**Mohammad R. Sadeghi**, Columbia, SC (US);  
**Bernd Hansen**, Laufen (DE)

(73) Assignee: **Holopack International Corp.**,  
Columbia, SC (US)

(\*\*) Term: **14 Years**

(21) Appl. No.: **29/243,354**

(22) Filed: **Nov. 23, 2005**

(51) **LOC (8) Cl.** ..... **24-02**

(52) **U.S. Cl.** ..... **D24/115; D24/117**

(58) **Field of Classification Search** ..... D24/193-99,  
D24/115, 117, 56-58, 63; D3/178, 393-4;  
D9/71, 192-4, 301-2, 341, 370-1, 526, 696;  
215/11.1-11.6, 387, 392; 248/102-7; 128/200-24;  
206/528, 530-2; 222/95, 490, 541; 604/415  
See application file for complete search history.

(56) **References Cited**

**U.S. PATENT DOCUMENTS**

201,369 A	3/1878	Walker	
442,696 A	12/1890	Thompson	
D24,197 S	4/1895	Nye	
D24,528 S	8/1895	Tilton	
D34,314 S	4/1901	Day	
878,524 A	2/1908	Gregory et al.	
D43,936 S	4/1913	Nerney	
D52,688 S	11/1918	Westbrook	
1,661,595 A	3/1928	Bowen	
2,041,351 A	5/1936	Jones	221/60
2,252,119 A	8/1941	Edmonds	30/125
2,293,922 A	8/1942	Serinis	221/148

2,688,243 A	9/1954	Bowen	68/213
RE24,251 E	12/1956	Kaplan et al.	222/107
2,777,612 A	1/1957	Bensen	222/209
2,795,043 A	6/1957	Fleischer	30/123
2,953,170 A	9/1960	Bush	141/18
3,045,879 A	7/1962	Daly	222/482
3,090,071 A	5/1963	Brooy	15/595
3,104,032 A	9/1963	Hansen	222/91
3,116,152 A	12/1963	Smith	99/171
3,133,679 A	5/1964	Brown	222/205
3,306,500 A	2/1967	Williams	222/209
3,356,244 A	12/1967	Witchell	215/32

(Continued)

**OTHER PUBLICATIONS**

Patent Cooperation Treaty, ISA/US, PCT International Search Report and Written Opinion, completion date Apr. 14, 2006, mailing date May 11, 2006, PCT/US05/42576.

*Primary Examiner*—Louis S. Zarfaz

*Assistant Examiner*—Susan E Krakower

(74) *Attorney, Agent, or Firm*—Nelson Mullins Riley & Scarborough, LLP

(57) **CLAIM**

The ornamental design for a dispensing container-single channel, as shown and described.

**DESCRIPTION**

FIG. 1 is a front perspective view of a dispensing container-single channel of the present invention;

FIG. 2 is a top plan view thereof;

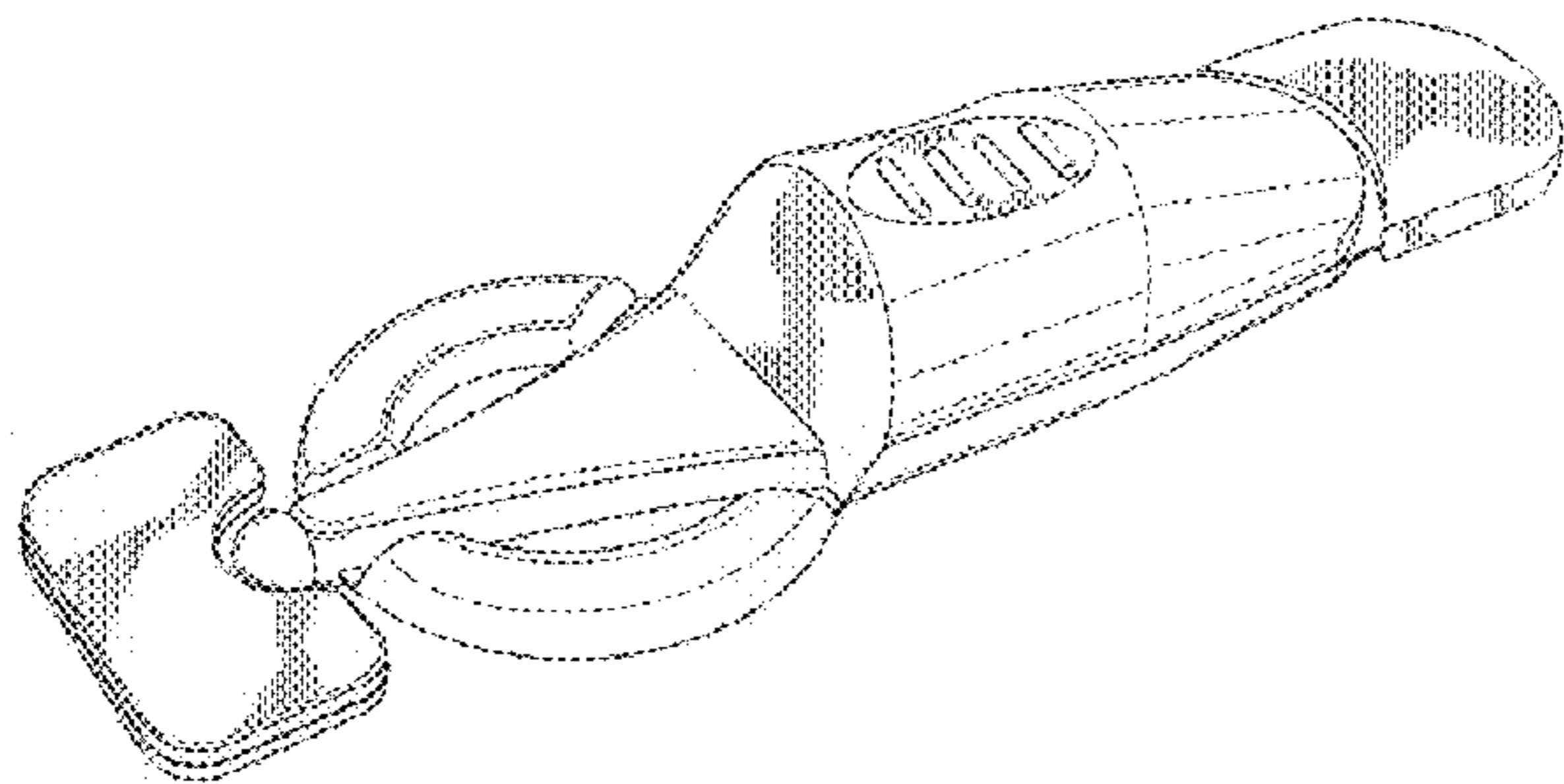
FIG. 3 is a bottom plan view thereof;

FIG. 4 is a right side elevational view thereof;

FIG. 5 is a front elevational view thereof; and,

FIG. 6 is a back elevational view thereof.

**1 Claim, 3 Drawing Sheets**



# US D551,760 S

## U.S. PATENT DOCUMENTS

3,381,857 A	5/1968	Francis .....	222/100	5,062,550 A	11/1991	Singh .....	222/80
3,410,457 A	11/1968	Brown .....	222/191	5,088,849 A	2/1992	Johnson et al. ....	401/44
3,473,221 A	10/1969	Flanders .....	30/141	5,101,991 A	4/1992	Morifuji et al. ....	215/11.1
3,833,154 A	9/1974	Markowitz .....	222/212	5,154,318 A	10/1992	Lampard .....	222/105
3,946,652 A	3/1976	Gorin .....	99/323	5,158,192 A	10/1992	Lataix .....	215/32
3,993,223 A	11/1976	Welker, III et al. ....	222/107	5,409,125 A	4/1995	Kimber et al. ....	215/32
3,995,772 A	12/1976	Liataud		D368,209 S	3/1996	Decker .....	D7/653
4,020,978 A	5/1977	Szczepanski .....	222/209	D369,212 S *	4/1996	Snell .....	D24/117
4,087,002 A	5/1978	Bambara et al. ....	206/523	5,509,906 A *	4/1996	Poynter .....	604/212
4,133,457 A	1/1979	Klassen .....	222/212	5,556,008 A	9/1996	Silver et al. ....	222/192
4,182,002 A	1/1980	Holec .....	17/30	5,664,705 A	9/1997	Stolper .....	222/212
4,192,360 A	3/1980	Rodriquez .....	141/24	5,667,084 A	9/1997	Duggal et al. ....	215/11.4
4,207,990 A	6/1980	Weiler et al. ....	220/267	D392,184 S *	3/1998	Weiler .....	D9/696
4,248,227 A	2/1981	Thomas .....	128/232	5,817,082 A	10/1998	Niedospial, Jr. et al. ....	604/414
4,298,045 A	11/1981	Weiler et al. ....	150/0.5	5,902,298 A	5/1999	Niedospial, Jr. et al. ....	604/414
4,411,656 A	10/1983	Cornett, III .....	604/212	5,908,124 A	6/1999	Klauke et al. ....	215/48
4,469,250 A	9/1984	Evezich .....	222/83.5	5,975,305 A	11/1999	Barger .....	206/572
D282,348 S	1/1986	Federighi .....	D9/341	D417,848 S *	12/1999	Marshall .....	D9/503
4,562,942 A	1/1986	Diamond .....	222/386.5	6,113,008 A	9/2000	Arsenault et al. ....	239/337
4,637,934 A	1/1987	White .....	426/117	6,173,852 B1	1/2001	Browne .....	215/247
4,657,151 A	4/1987	Cabernoch .....	215/11 E	6,264,074 B1	7/2001	Emilsson .....	222/527
D296,869 S *	7/1988	Bauwens .....	D9/696	6,283,320 B1	9/2001	Patch .....	220/88.1
4,760,937 A	8/1988	Evezich .....	222/95	6,347,727 B1	2/2002	Diaz .....	222/101
4,830,222 A	5/1989	Read .....	222/106	6,357,450 B1	3/2002	Paice .....	132/114
4,841,637 A	6/1989	Scholzen .....	30/125	6,357,626 B1	3/2002	Zhang et al. ....	222/78
4,842,165 A	6/1989	Van Coney .....	222/95	D458,366 S *	6/2002	Hellberg et al. ....	D24/115
4,880,409 A	11/1989	Winblad et al. ....	604/73	6,626,308 B2	9/2003	Weiler .....	215/48
4,888,188 A	12/1989	Castner, Sr. et al. ....	426/109	6,651,845 B1	11/2003	Schroeder .....	222/83
4,890,744 A	1/1990	Lane, Jr. et al. ....	206/632	D496,833 S	10/2004	Lantz .....	D7/653
4,966,312 A	10/1990	Waring .....	222/209	D515,936 S *	2/2006	Ko .....	D9/696
D312,209 S *	11/1990	Morrow et al. ....	D24/117	D518,891 S *	4/2006	Strong .....	D24/115
4,993,568 A	2/1991	Morifuji et al. ....	215/11.1	7,032,590 B2 *	4/2006	Loeffler et al. ....	128/200.24
5,035,689 A	7/1991	Schroeder .....	604/234	D534,648 S *	1/2007	Zahn et al. ....	D24/115
5,038,476 A	8/1991	McCrea .....	30/141	D538,424 S *	3/2007	Zahn et al. ....	D24/115
5,038,974 A	8/1991	DaCosta .....	222/106				

\* cited by examiner

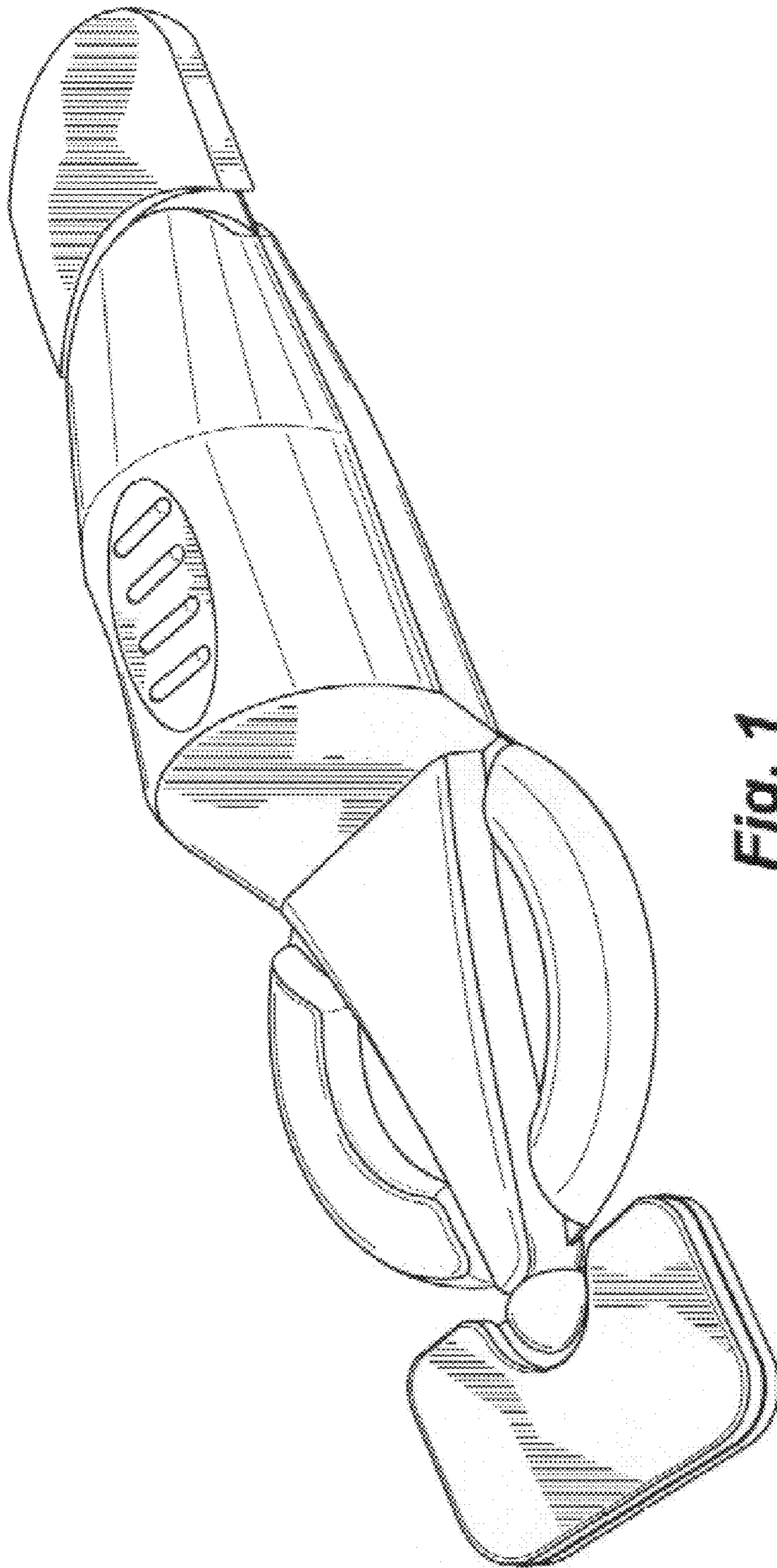
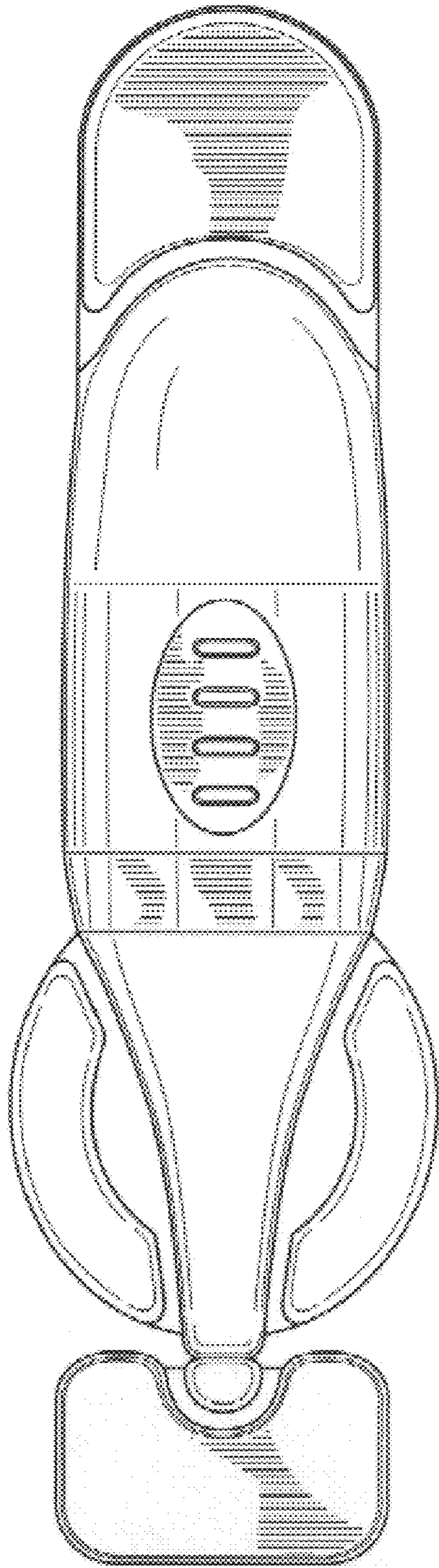
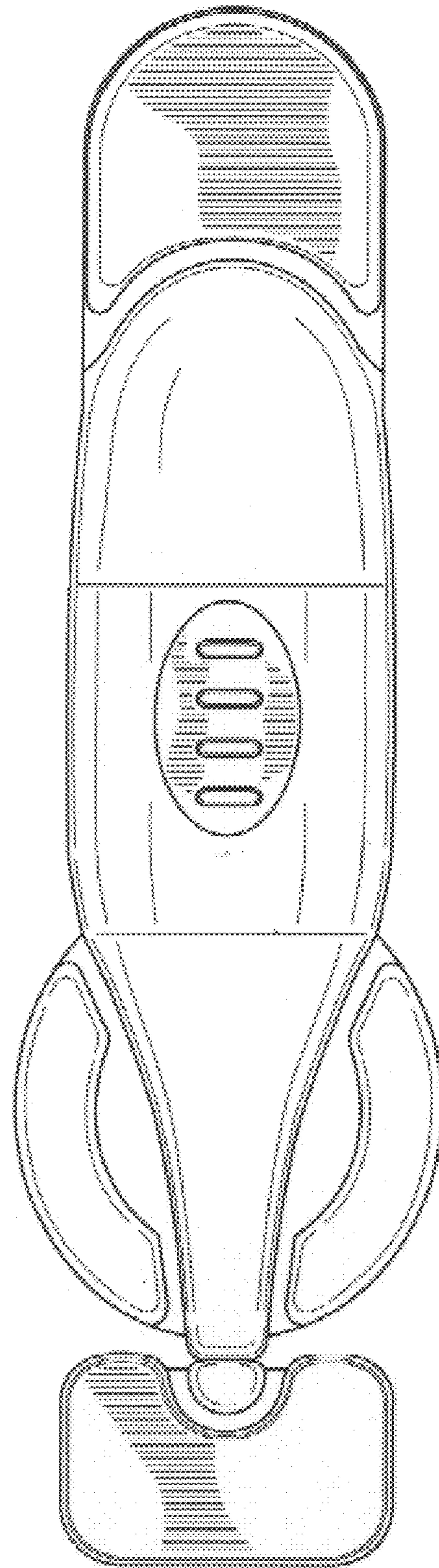


Fig. 1



**Fig. 2**



**Fig. 3**

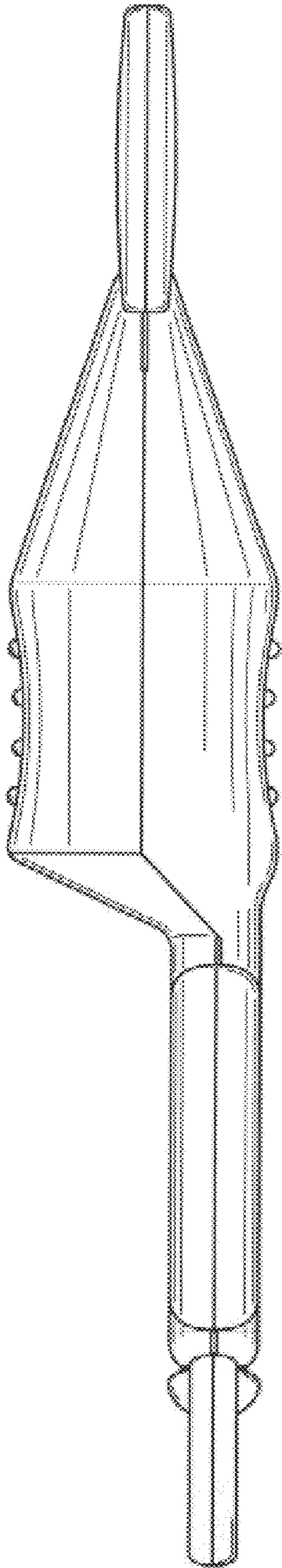


Fig. 4

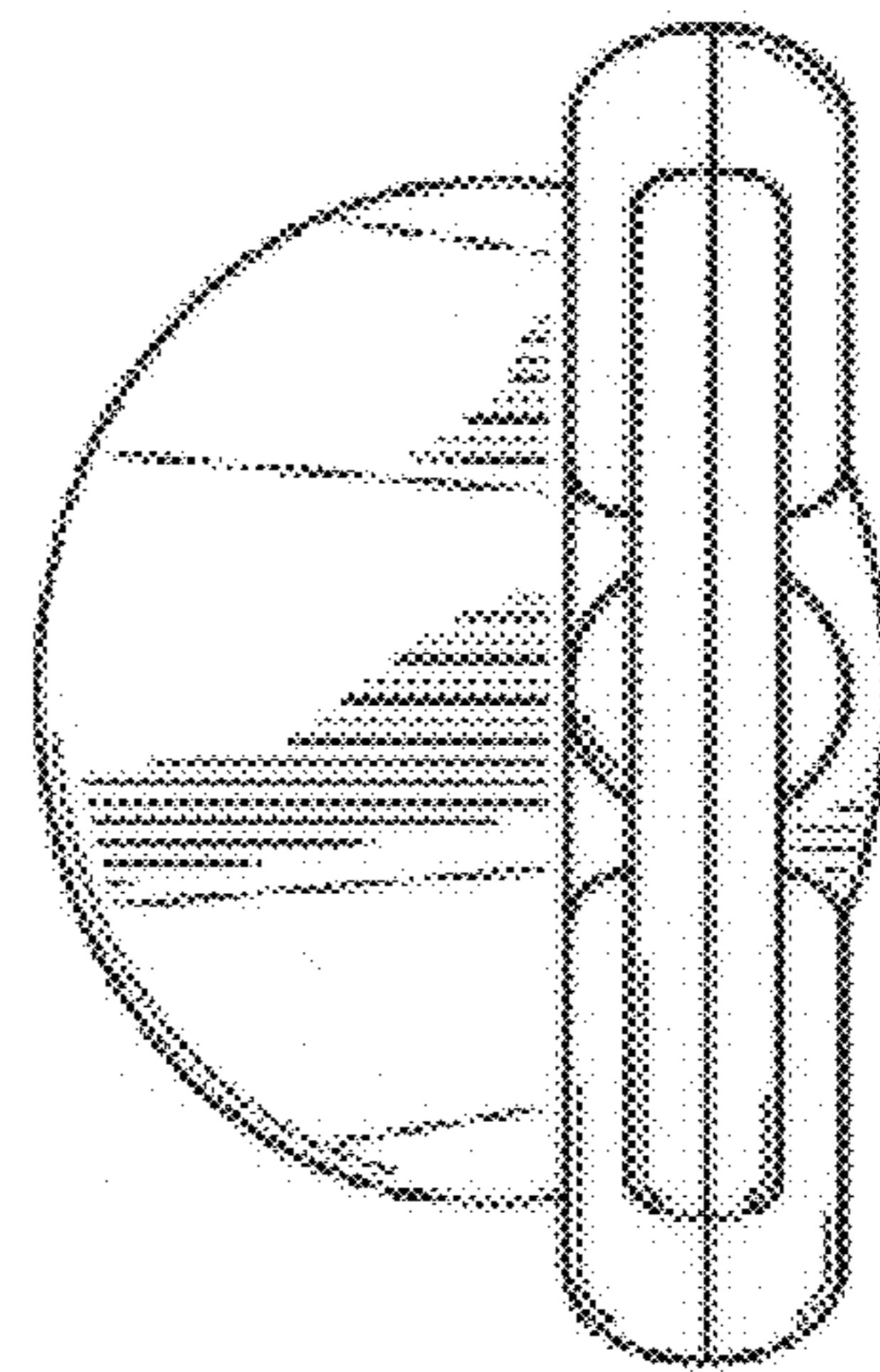


Fig. 5

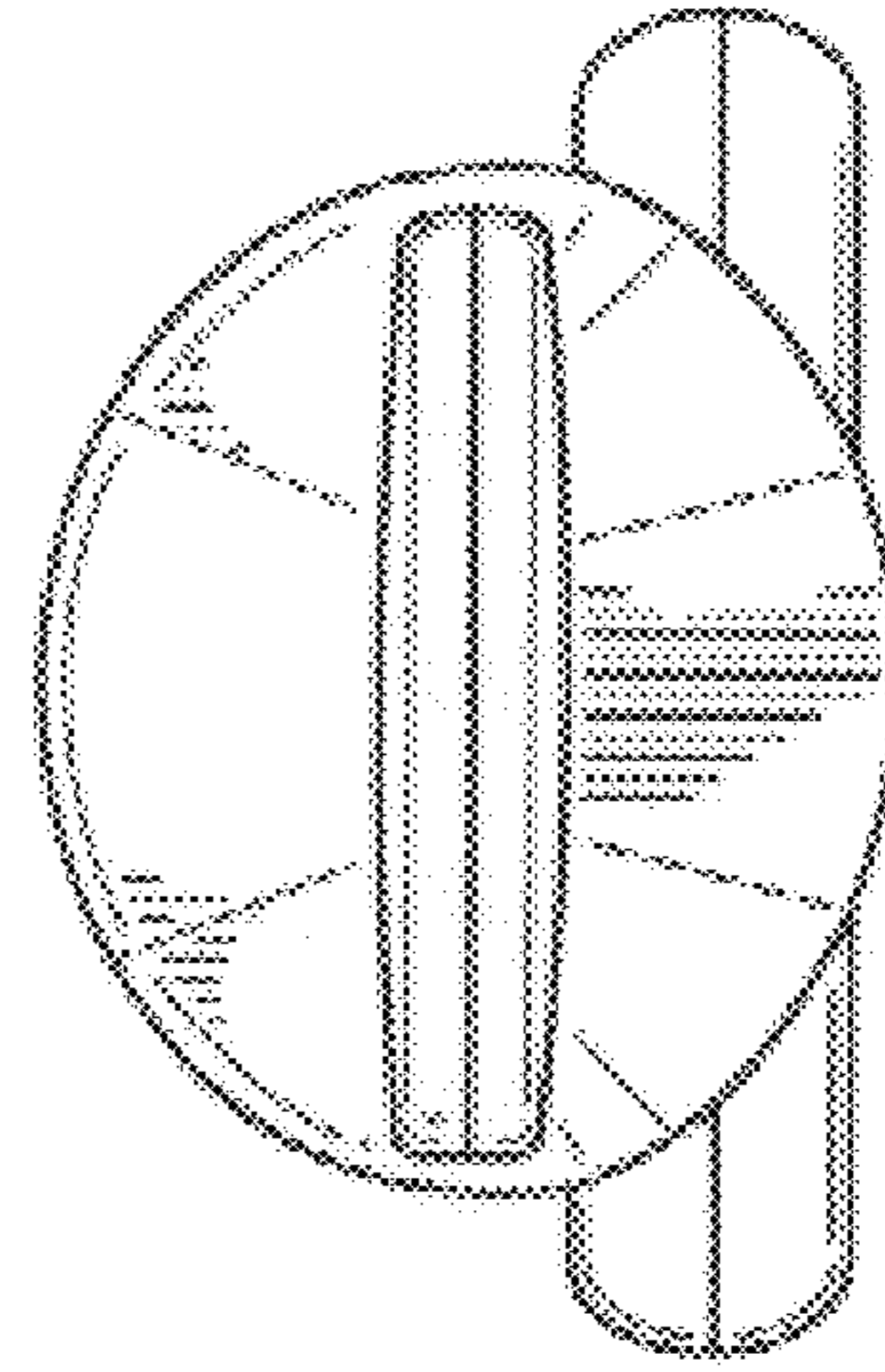


Fig. 6