



US00D551759S

(12) **United States Design Patent**
Tak et al.

(10) **Patent No.:** **US D551,759 S**

(45) **Date of Patent:** **** Sep. 25, 2007**

(54) **APPLICATOR FOR INSERTING AN IMPLANT**

(75) Inventors: **Maurice Petrus Wilhelmus Tak**,
Enschede (NL); **Iris Epkjen**
Hobo-V. D. Graaf, Enschede (NL)

(73) Assignee: **N. V. Organon**, Oss (NL)

(**) Term: **14 Years**

(21) Appl. No.: **29/242,104**

(22) Filed: **Nov. 3, 2005**

(30) **Foreign Application Priority Data**

Jun. 13, 2005 (EM) 000354477

(51) **LOC (8) Cl.** **24-02**

(52) **U.S. Cl.** **D24/113**

(58) **Field of Classification Search** D24/113,
D24/133, 146; 604/57, 60, 59, 227, 48, 62,
604/30; 600/7, 8; 606/184, 185, 116, 117;
401/133; 222/80

See application file for complete search history.

(56) **References Cited**

U.S. PATENT DOCUMENTS

2,269,963 A * 1/1942 Wappler 604/62
D319,697 S * 9/1991 Prindle et al. D24/113
D320,270 S * 9/1991 Ball et al. D24/113
6,007,474 A * 12/1999 Rydell 600/7

D492,995 S * 7/2004 Rue et al. D24/133
D497,990 S * 11/2004 Jutila D24/146
7,025,755 B2 * 4/2006 Epstein 604/30
2001/0011162 A1 * 8/2001 Epstein 604/30
2002/0026090 A1 * 2/2002 Kaplan et al. 600/7
2005/0175395 A1 * 8/2005 Quintero et al. 401/133
2005/0256361 A1 * 11/2005 Mathieu et al. 600/7
2006/0049203 A1 * 3/2006 Boone et al. 222/80
2006/0058569 A1 * 3/2006 Chu 600/7

* cited by examiner

Primary Examiner—Louis Zarfes

Assistant Examiner—David Muller

(74) *Attorney, Agent, or Firm*—F. Aaron Dubberley

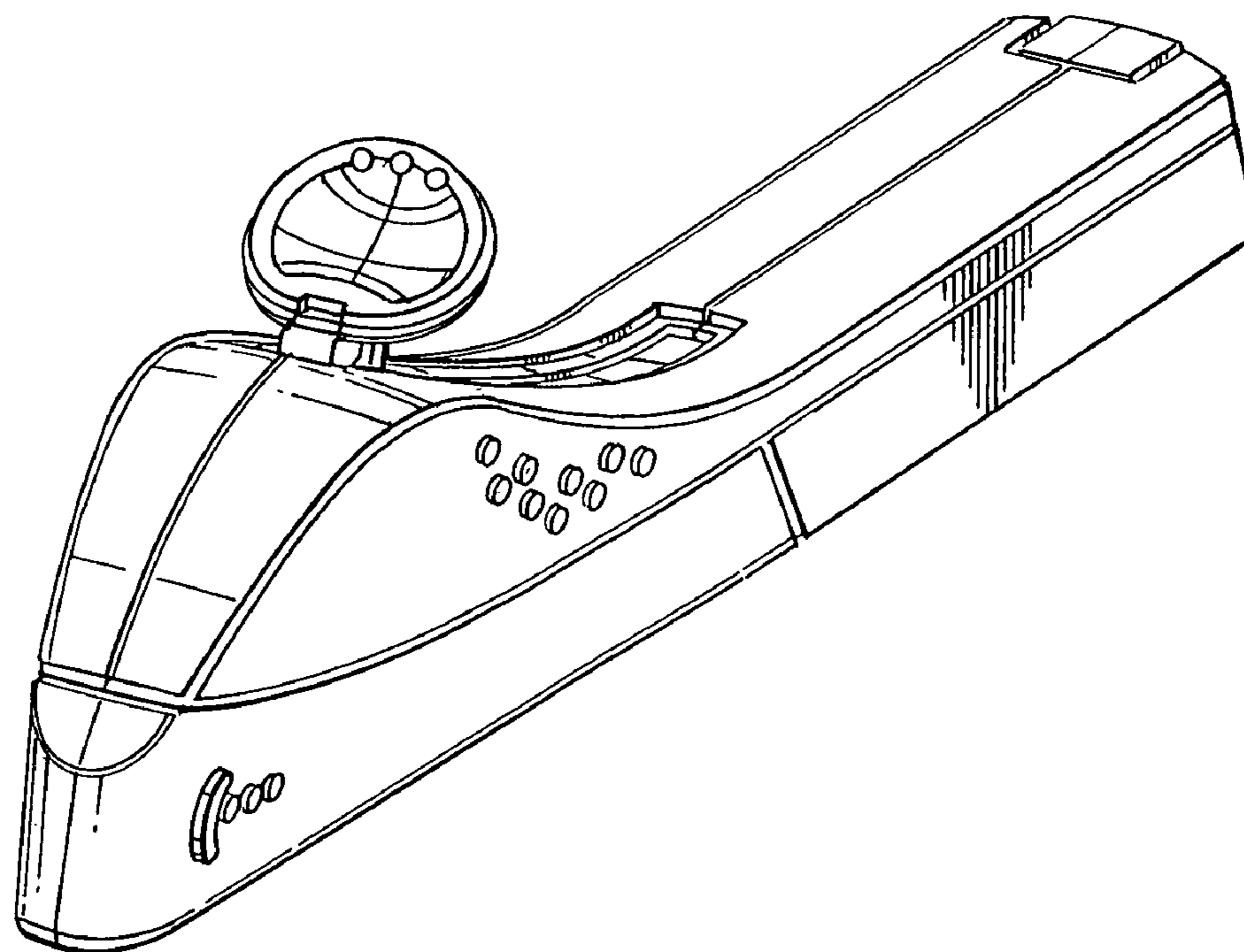
(57) **CLAIM**

The ornamental design of an applicator for inserting an implant, as shown.

DESCRIPTION

FIG. 1 is a left side view of the applicator design.
FIG. 2 is a right side view of the applicator design.
FIG. 3 is a perspective view of the applicator design.
FIG. 4 is a top view of the applicator design.
FIG. 5 is a front view of the applicator design.
FIG. 6 is a bottom view of the applicator design; and,
FIG. 7 is a back view of the applicator design.

1 Claim, 2 Drawing Sheets



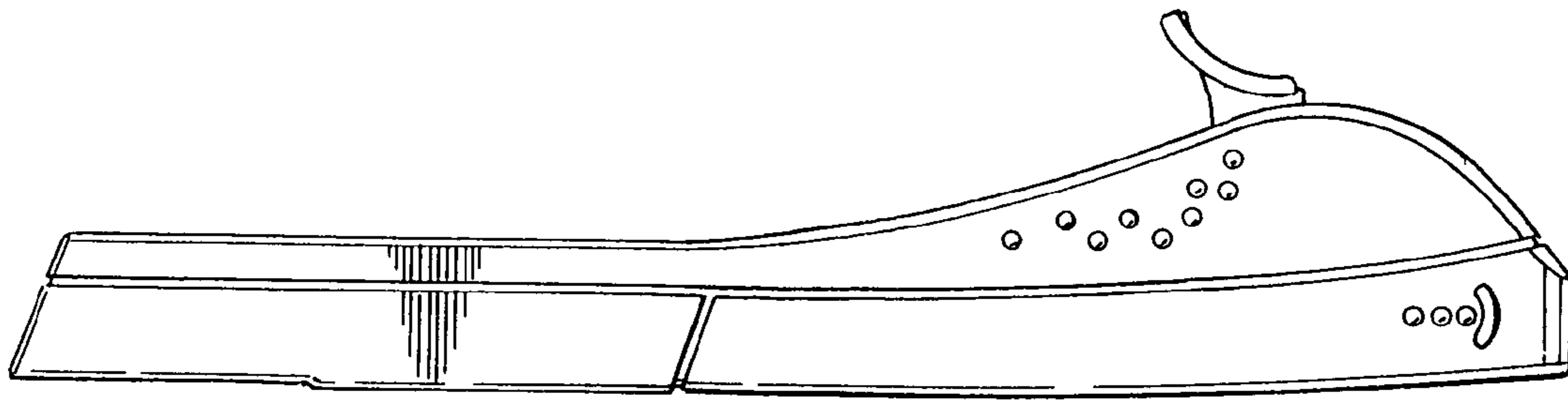


Fig. 1

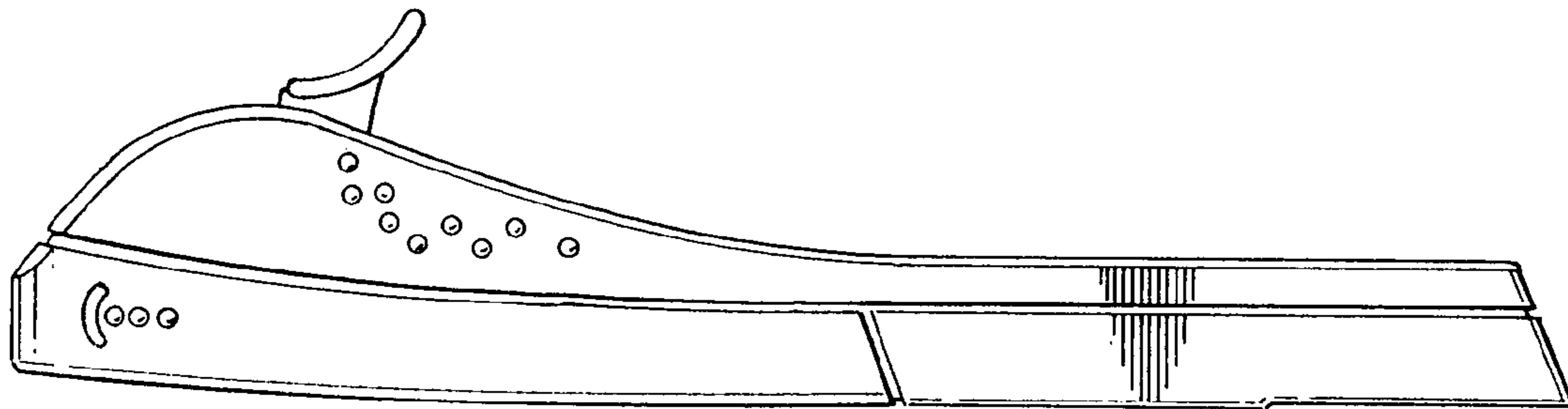


Fig. 2

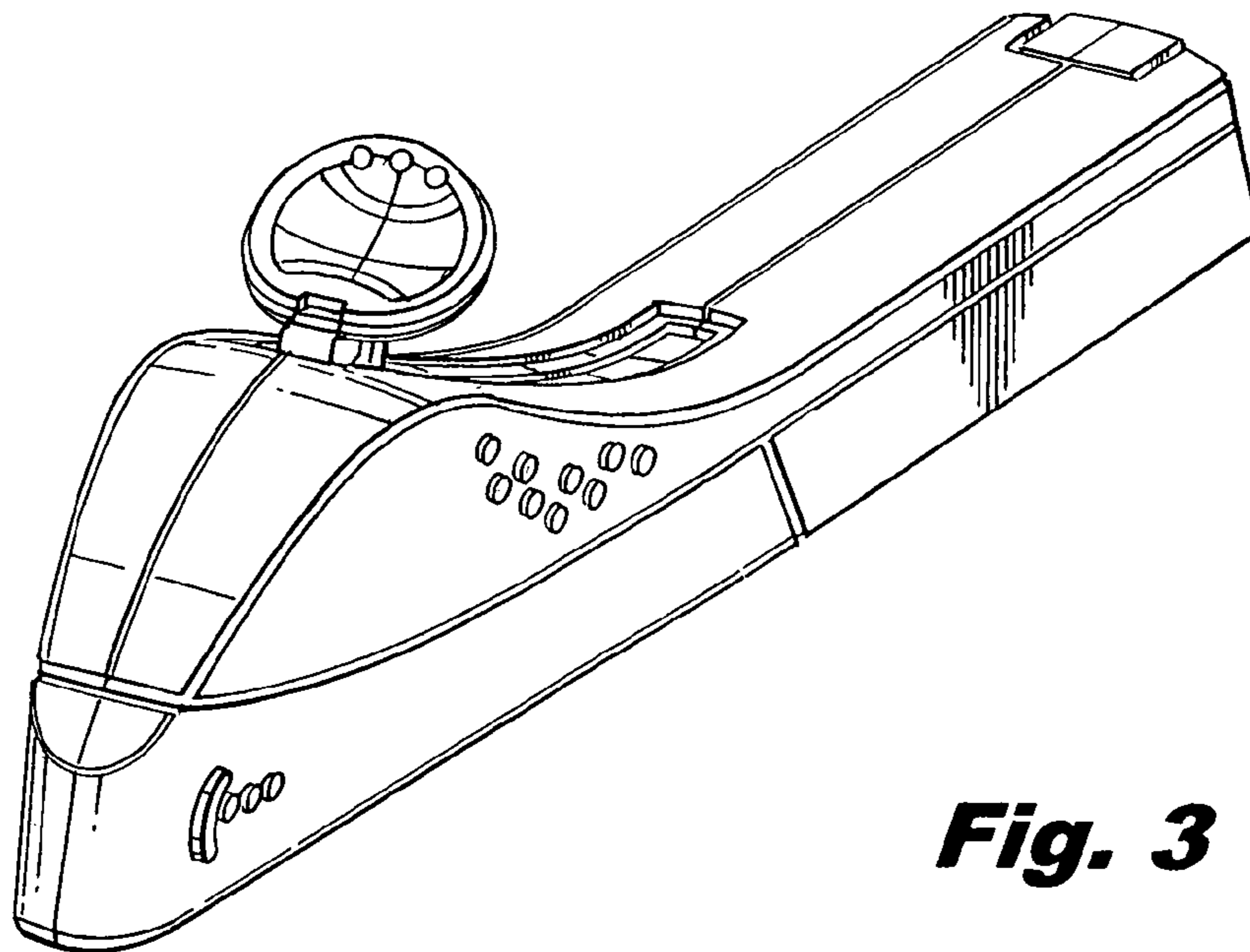


Fig. 3

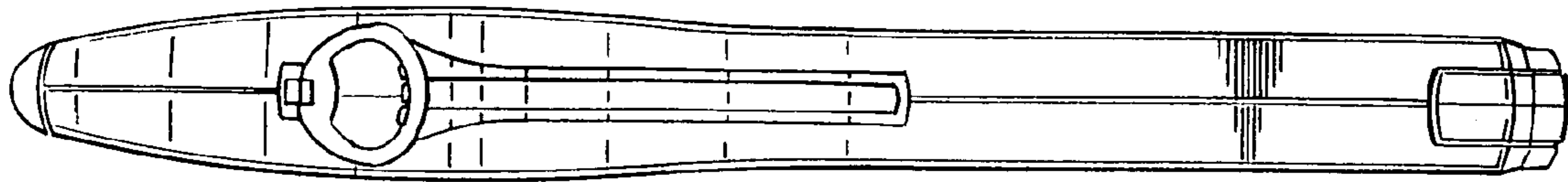


Fig. 4

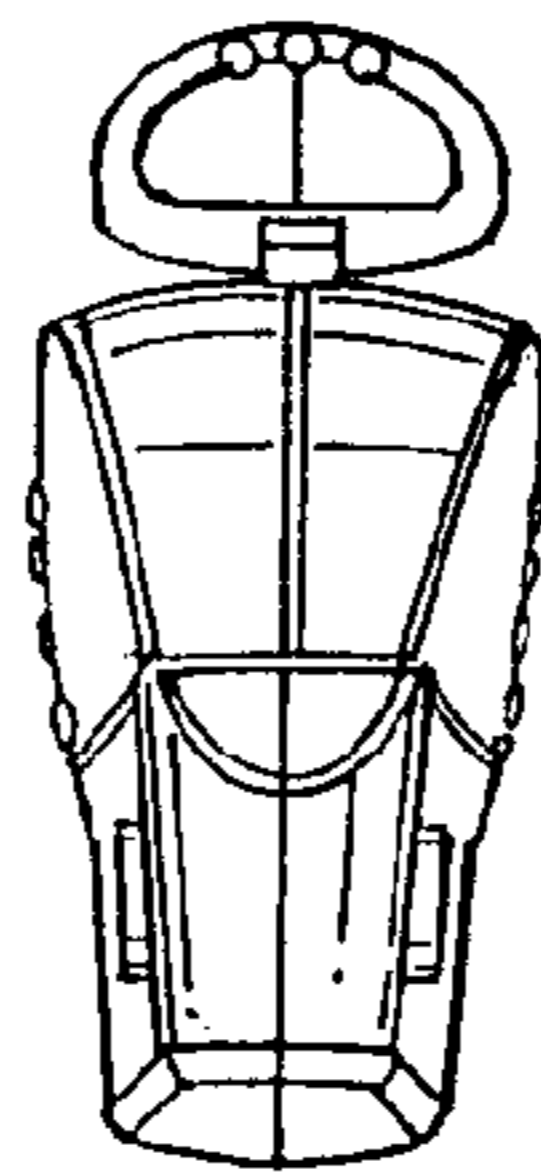


Fig. 5

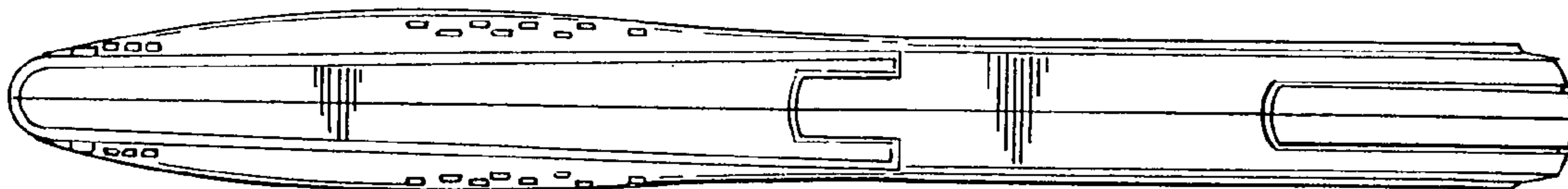


Fig. 6

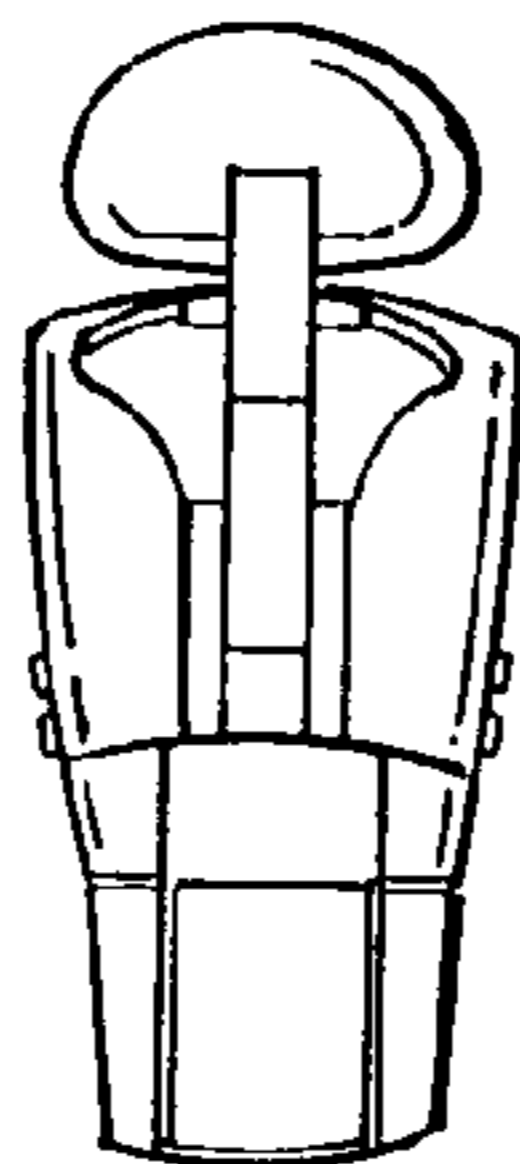


Fig. 7