



US00D551756S

(12) **United States Design Patent**
Ertze

(10) **Patent No.:** **US D551,756 S**

(45) **Date of Patent:** **** Sep. 25, 2007**

(54) **FAN BLADE BRACKET**

(75) Inventor: **Pablo J. Ertze**, Rancho Cucamonga,
CA (US)

(73) Assignee: **Air Cool Industrial Co., Ltd.**,
Taichung County (TW)

(**) Term: **14 Years**

(21) Appl. No.: **29/265,113**

(22) Filed: **Aug. 25, 2006**

(51) **LOC (8) Cl.** **23-04**

(52) **U.S. Cl.** **D23/411**

(58) **Field of Classification Search** D23/377,
D23/379, 385, 411, 413; 416/5
See application file for complete search history.

(56) **References Cited**

U.S. PATENT DOCUMENTS

D516,197 S * 2/2006 Young D23/411
D519,629 S * 4/2006 Pickett D23/411

* cited by examiner

Primary Examiner—Lisa Lichtenstein

(74) *Attorney, Agent, or Firm*—Troxell Law Office, PLLC

(57) **CLAIM**

I claim the ornamental design for a fan blade bracket, as shown and described.

DESCRIPTION

FIG. 1 is a front perspective view of a fan blade bracket showing my new design;

FIG. 2 is a front elevational view thereof;

FIG. 3 is a rear elevational view thereof.

FIG. 4 is a left side elevational view thereof;

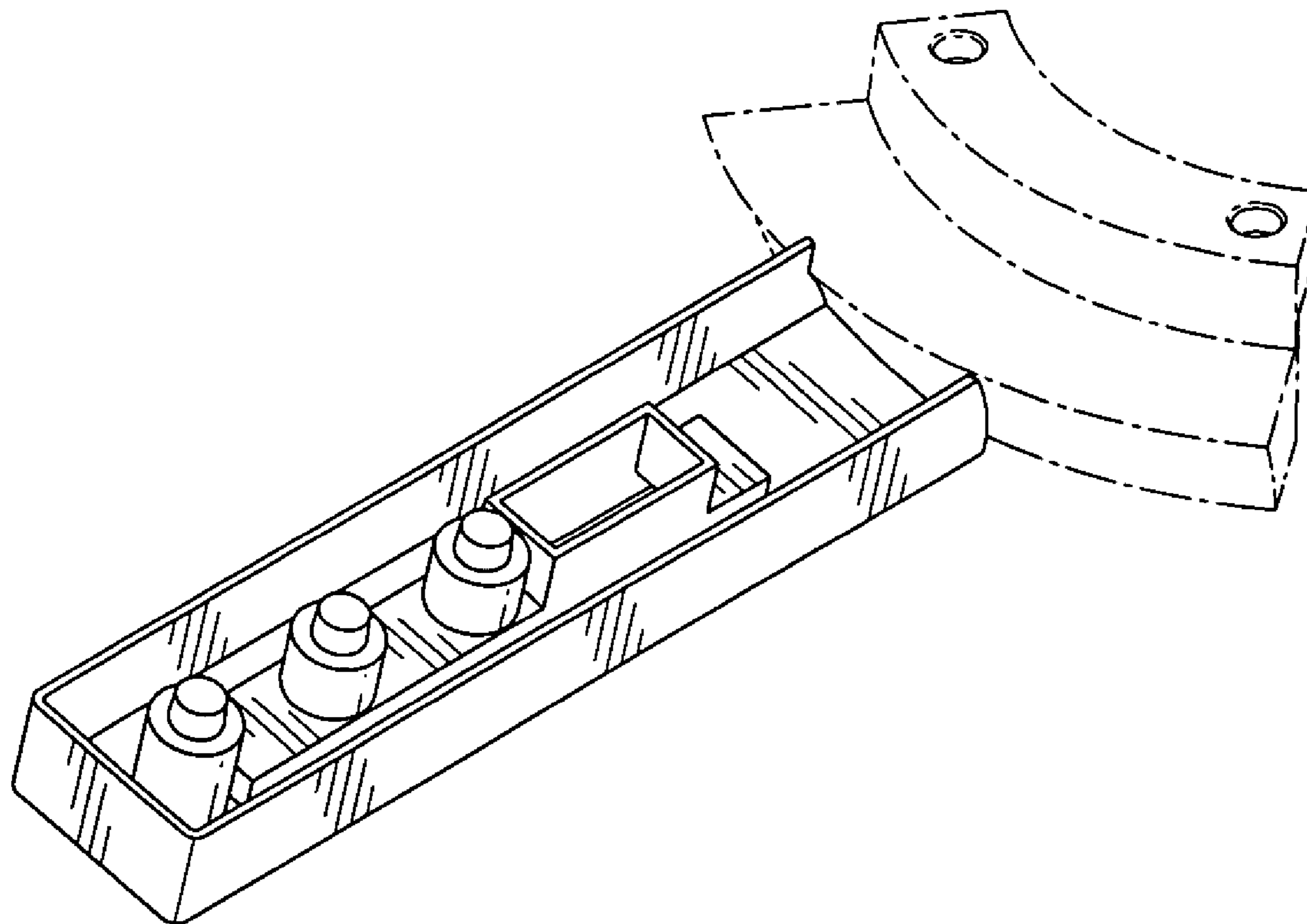
FIG. 5 is a right side elevational view thereof;

FIG. 6 is a top plan view thereof; and,

FIG. 7 is a bottom plan view thereof.

The broken line showing of the attachment element is included for the purpose of illustrating environmental structure and forms no part of the claimed design.

1 Claim, 4 Drawing Sheets



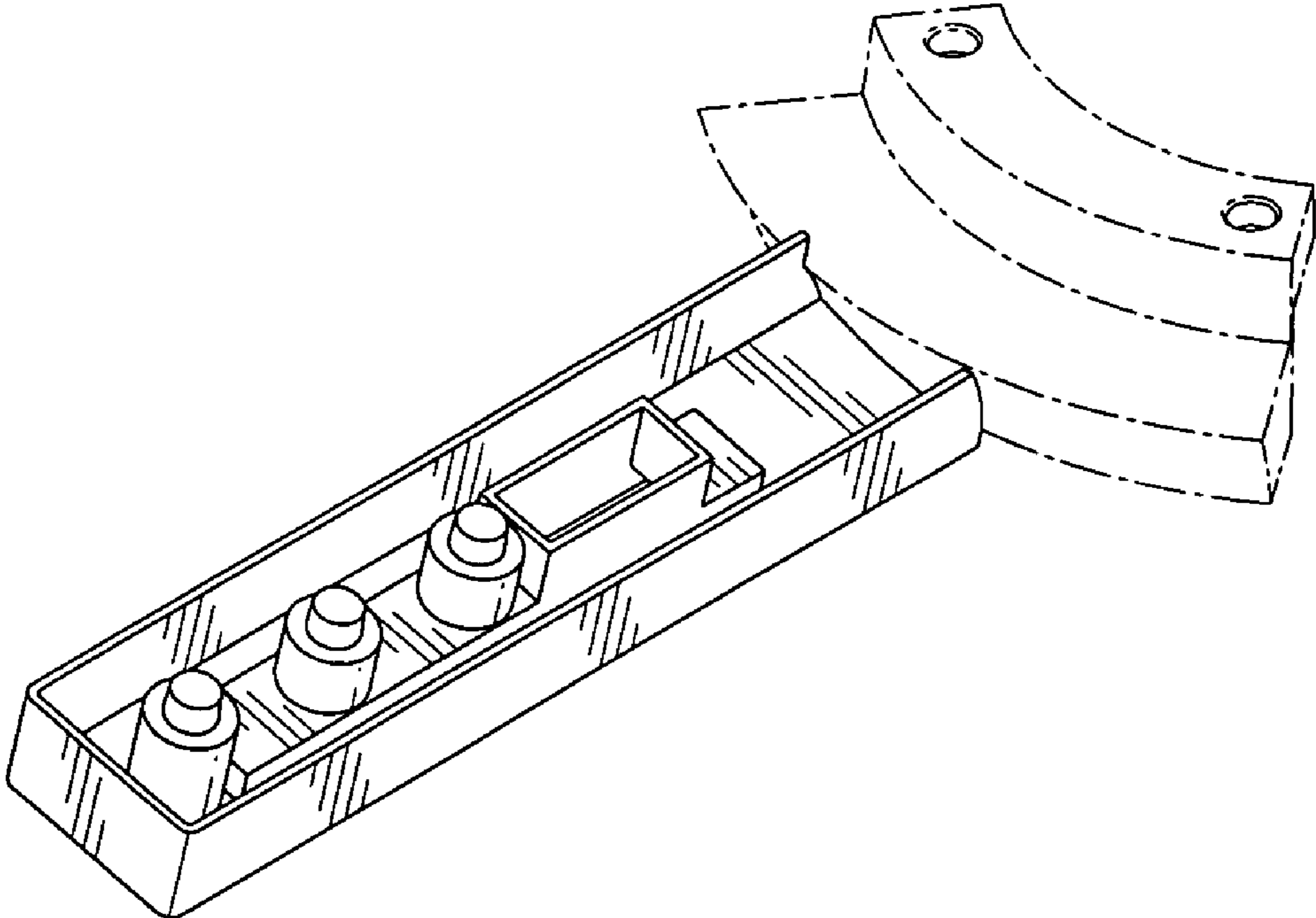


FIG. 1

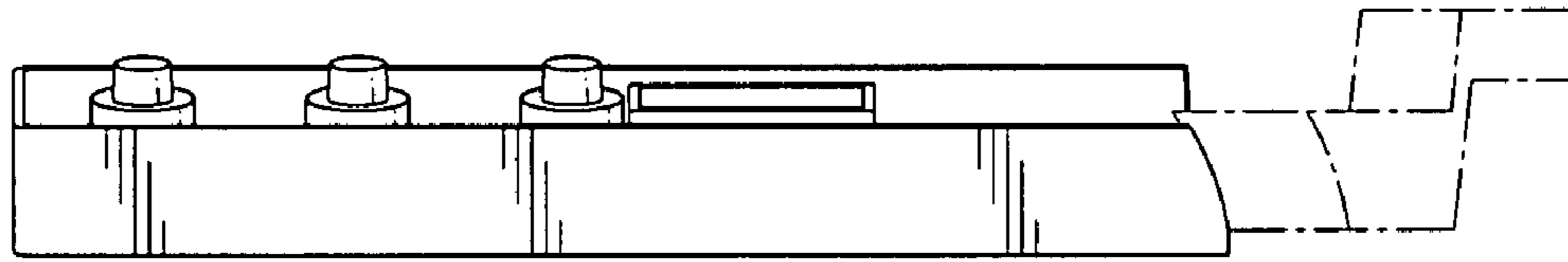


FIG. 2

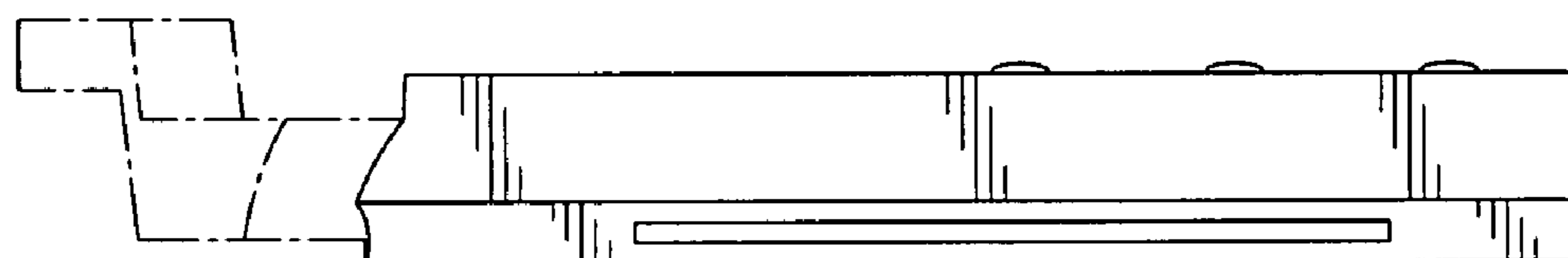


FIG. 3

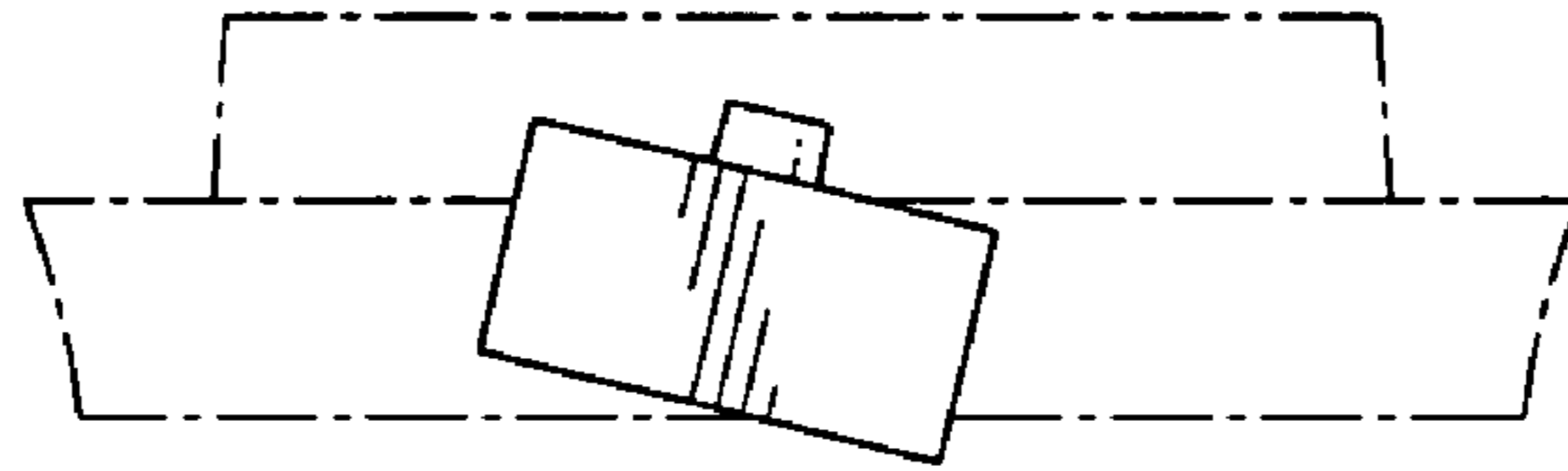


FIG. 4

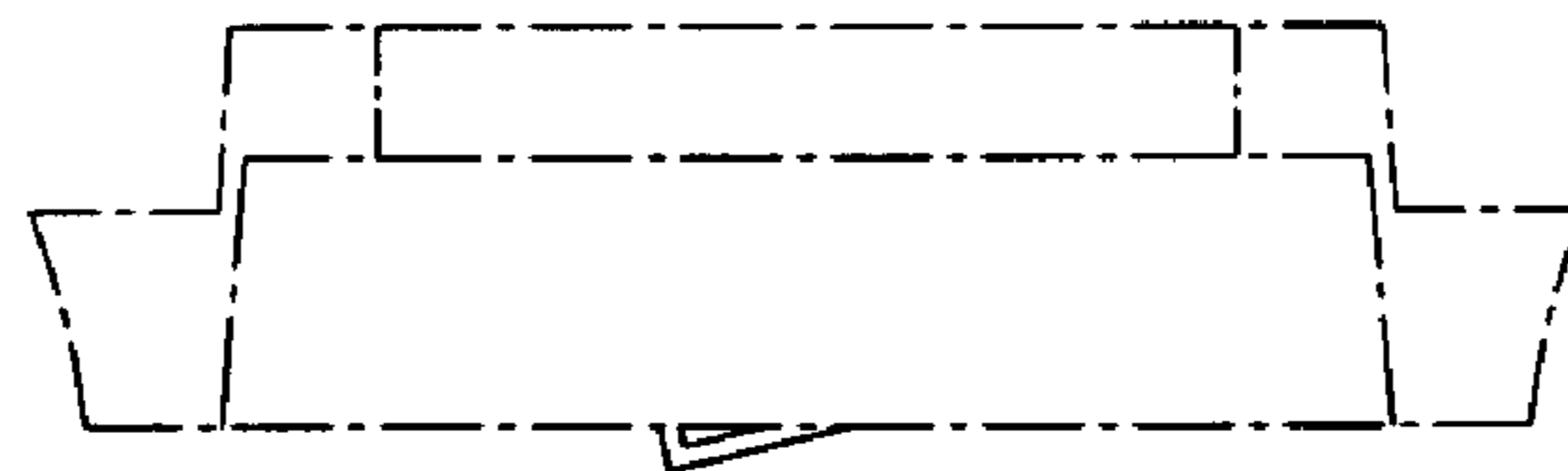


FIG. 5

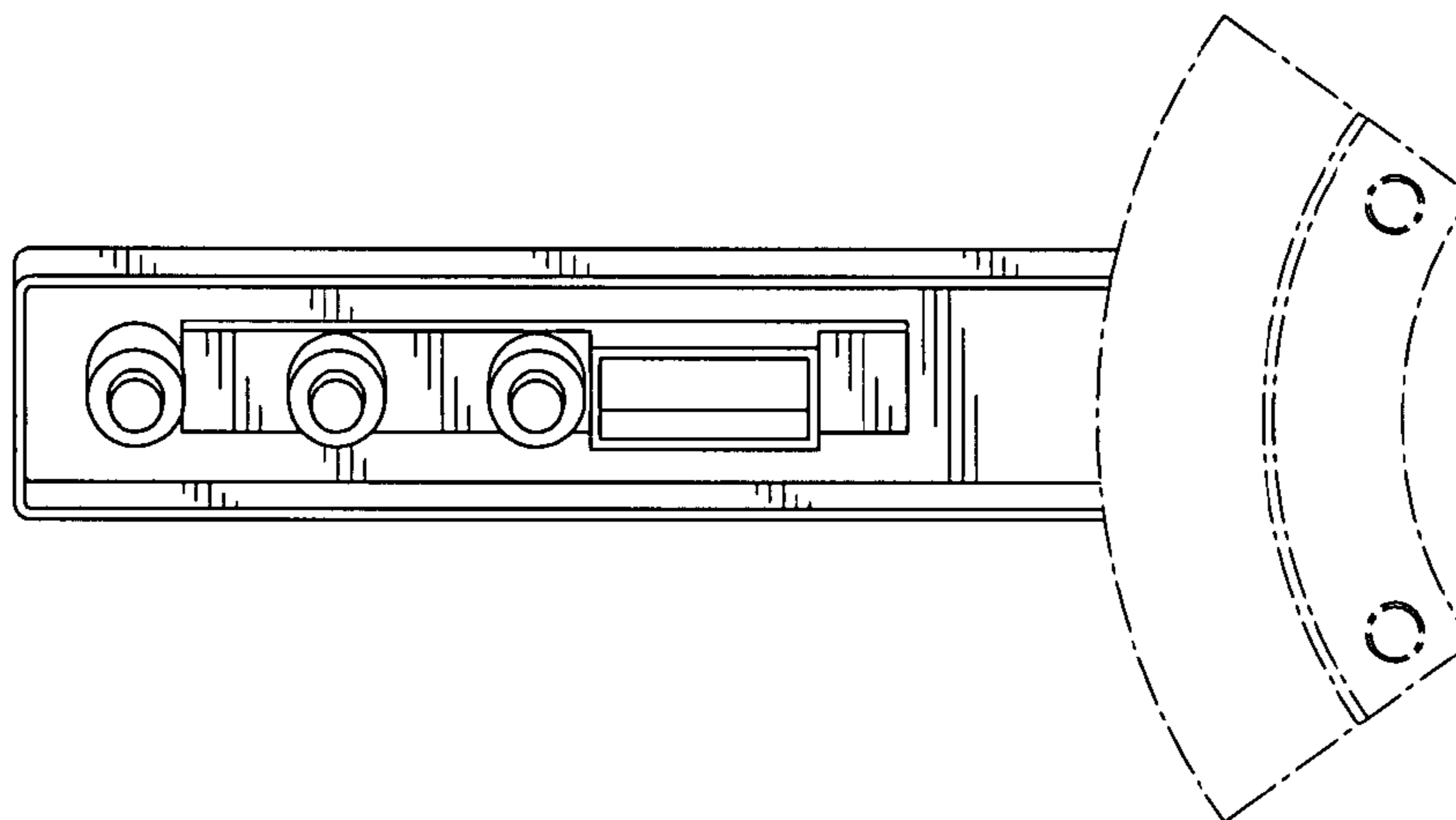


FIG. 6

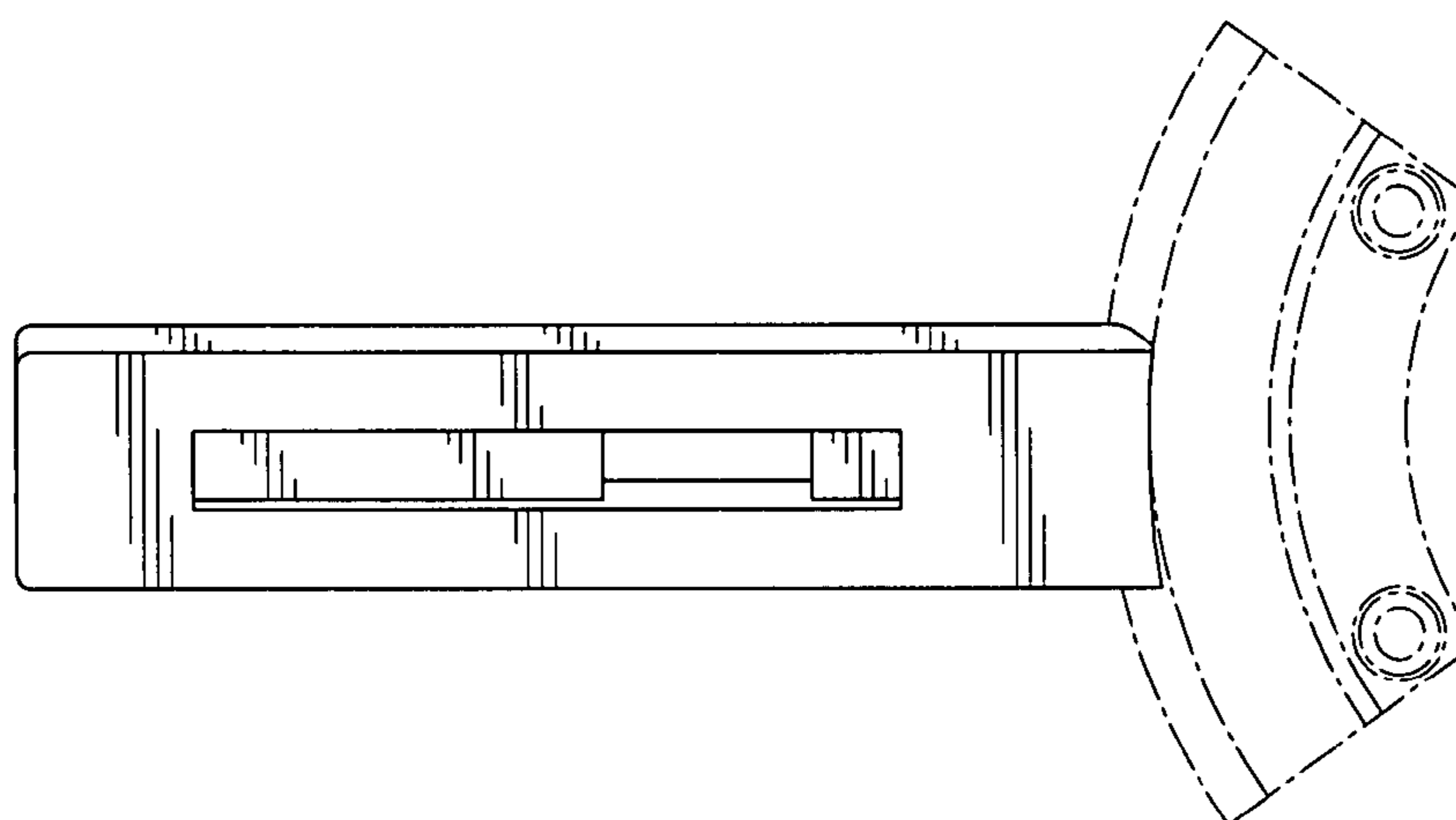


FIG. 7