



US00D551755S

(12) **United States Design Patent**
Shurtleff

(10) **Patent No.:** **US D551,755 S**

(45) **Date of Patent:** **** Sep. 25, 2007**

(54) **FAN BLADE BRACKET**

D536,088 S * 1/2007 Pickett D23/411

(75) Inventor: **Mark L. Shurtleff**, Long Beach, CA
(US)

* cited by examiner

Primary Examiner—Lisa Lichtenstein

(73) Assignee: **Air Cool Industrial Co., Ltd.**,
Taichung County (TW)

(74) *Attorney, Agent, or Firm*—Troxell Law Office, PLLC

(**) Term: **14 Years**

(57) **CLAIM**

(21) Appl. No.: **29/265,108**

I claim the ornamental design for a fan blade bracket, as shown and described.

(22) Filed: **Aug. 25, 2006**

DESCRIPTION

(51) **LOC (8) Cl.** **23-04**

FIG. 1 is a front perspective view of a fan blade bracket showing my new design;

(52) **U.S. Cl.** **D23/411**

FIG. 2 is a front elevational view thereof;

(58) **Field of Classification Search** D23/377,

FIG. 3 is a rear elevational view thereof.

D23/379, 385, 411, 413; 416/5

FIG. 4 is a left side elevational view thereof;

See application file for complete search history.

FIG. 5 is a right side elevational view thereof;

(56) **References Cited**

U.S. PATENT DOCUMENTS

FIG. 6 is a top plan view thereof; and,

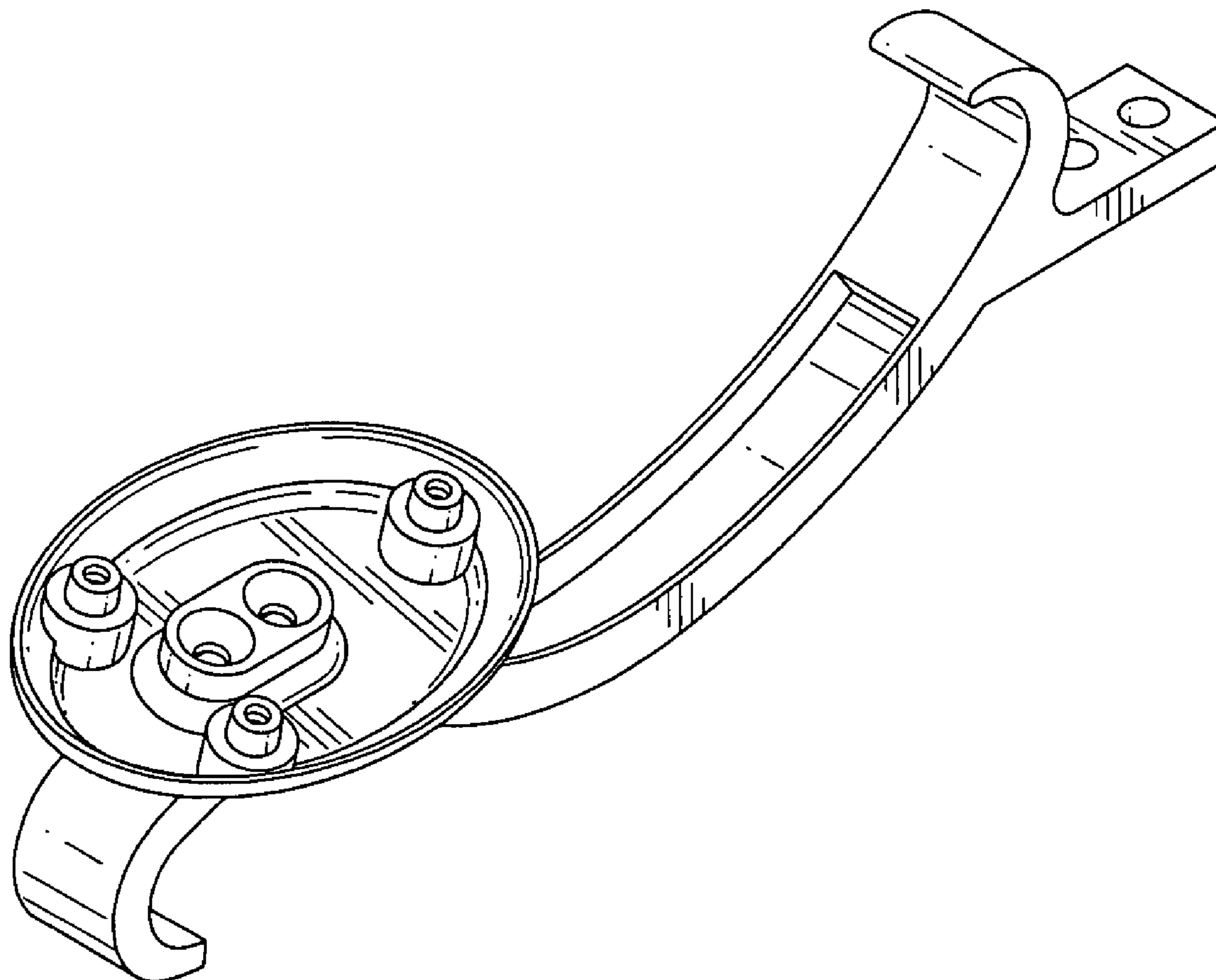
FIG. 7 is a bottom plan view thereof.

D382,955 S * 8/1997 Liu D23/411

D481,455 S * 10/2003 Young D23/411

D518,567 S * 4/2006 Hidalgo D23/411

1 Claim, 4 Drawing Sheets



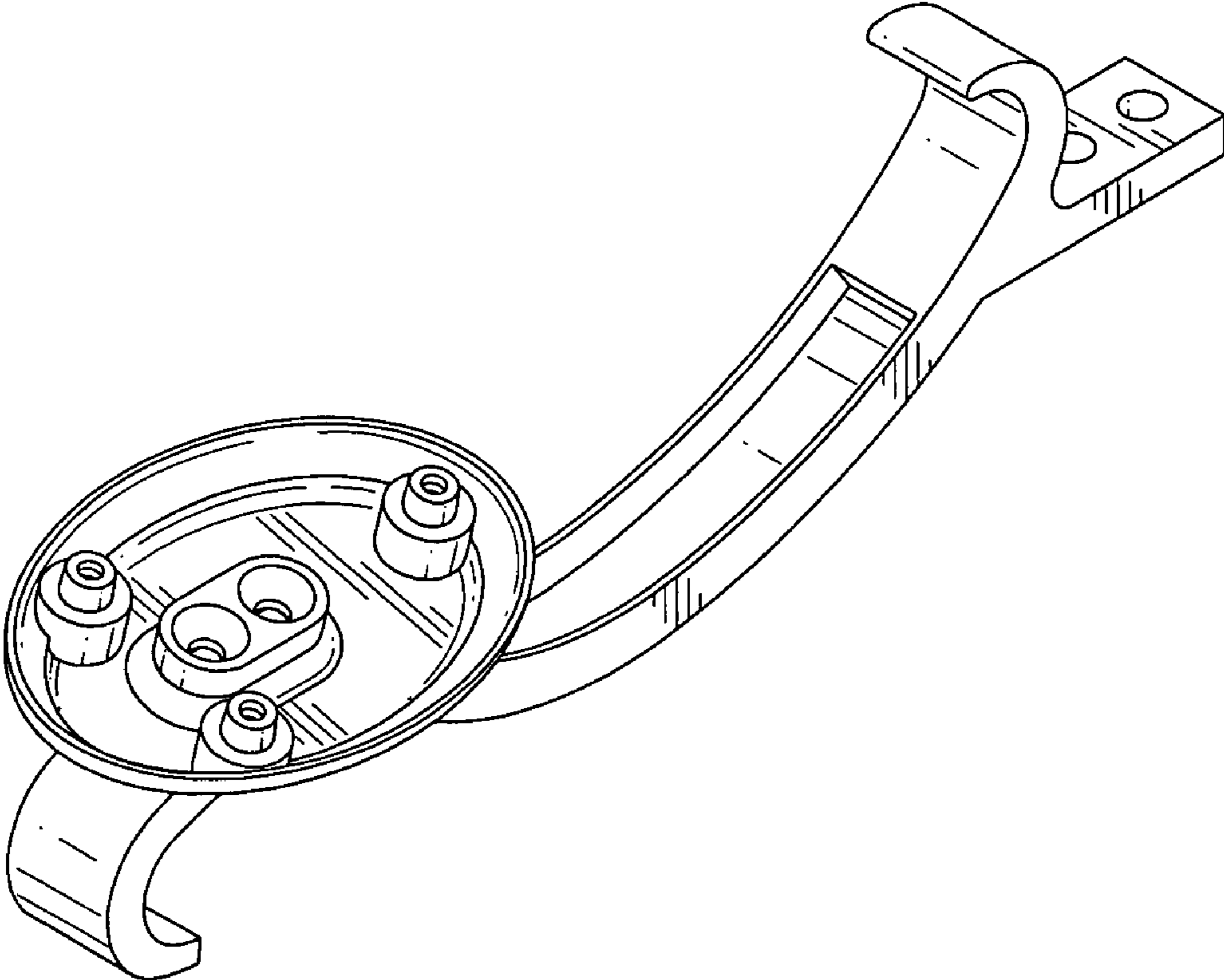


FIG. 1

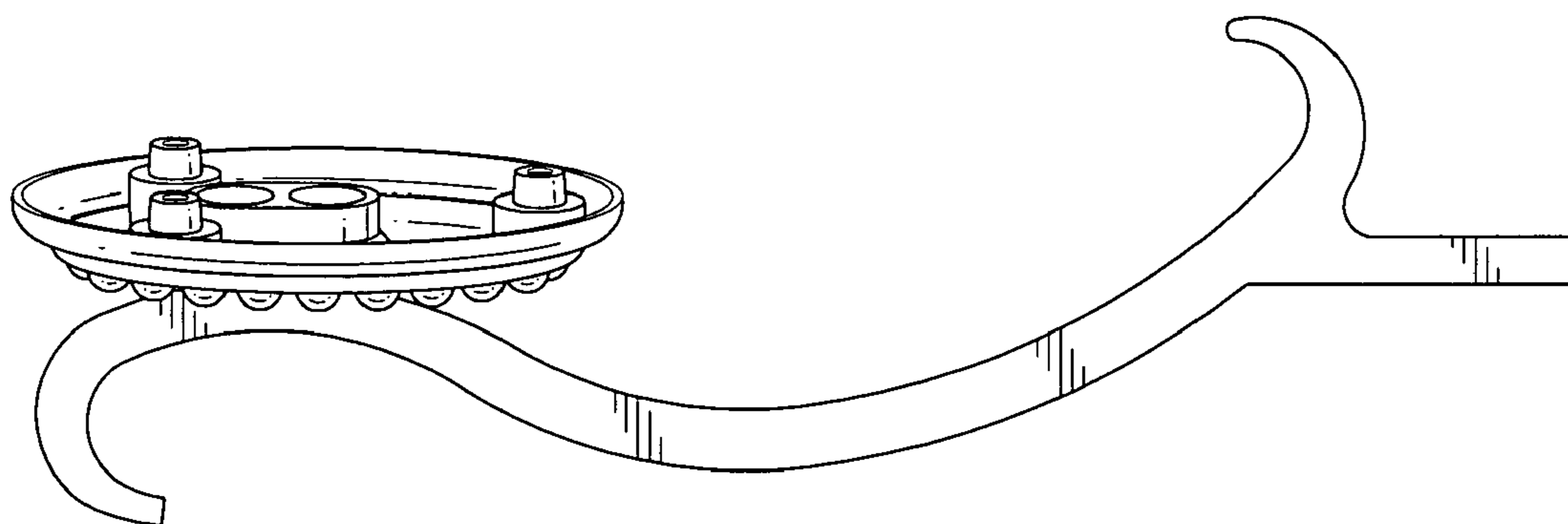


FIG. 2

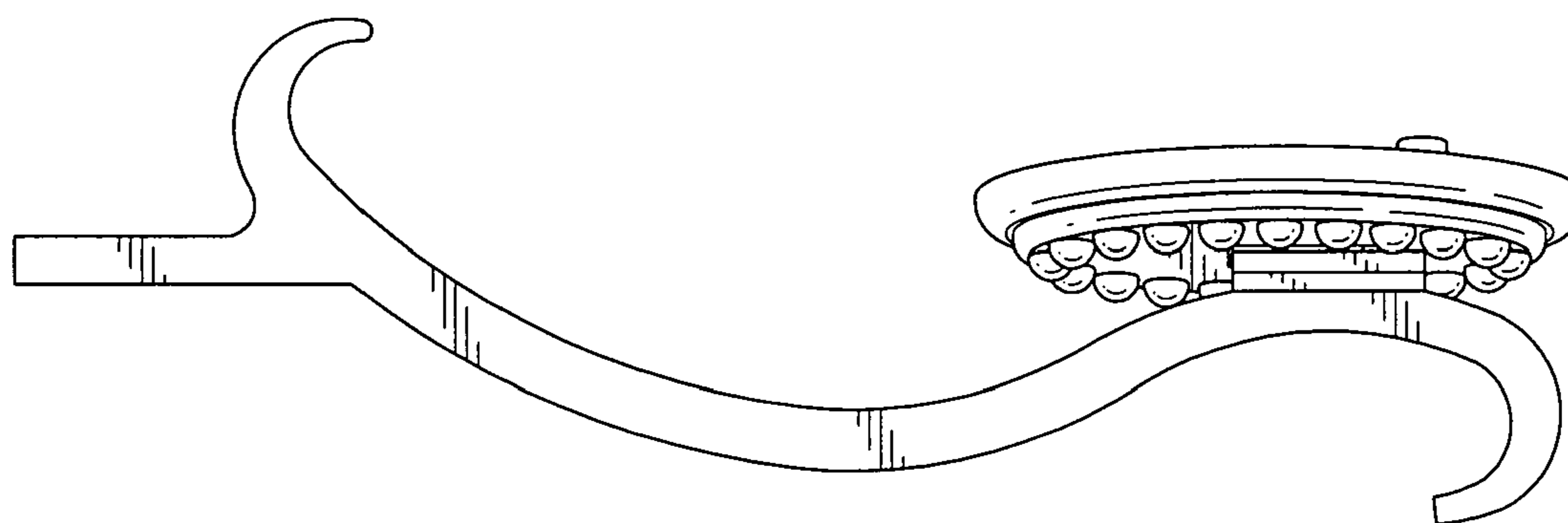


FIG. 3

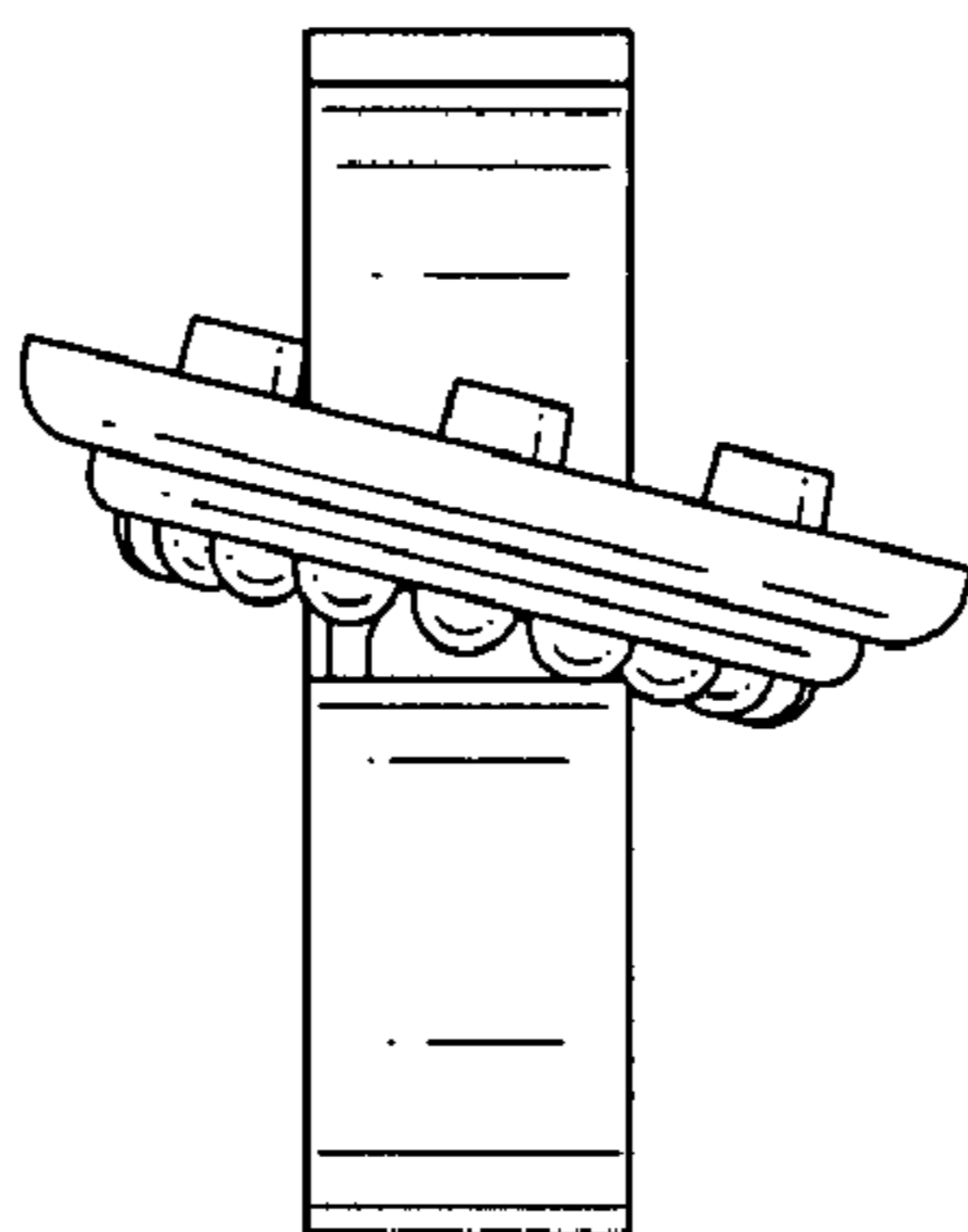


FIG. 4

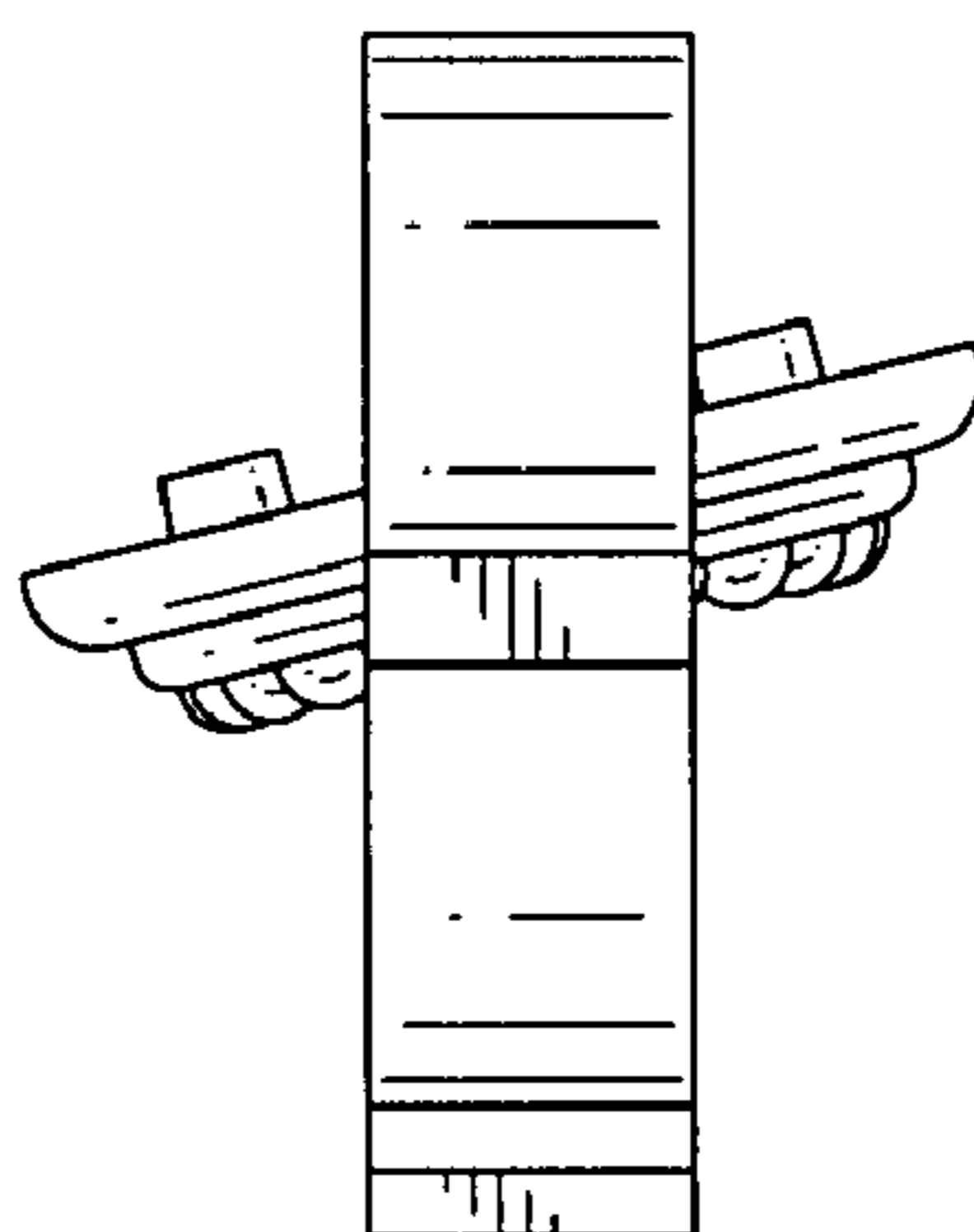


FIG. 5

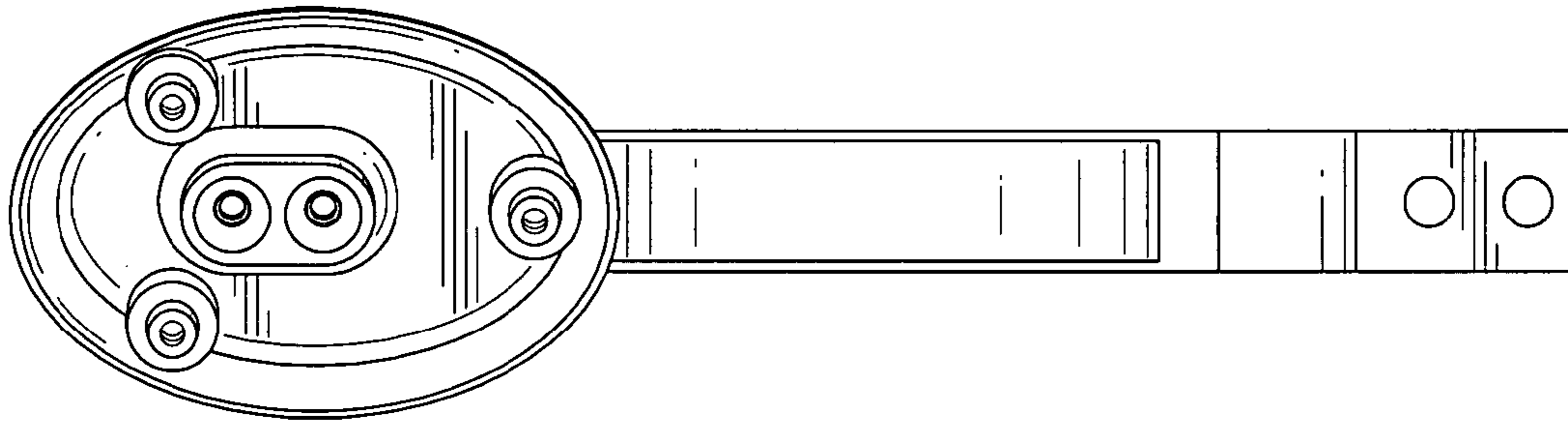


FIG. 6

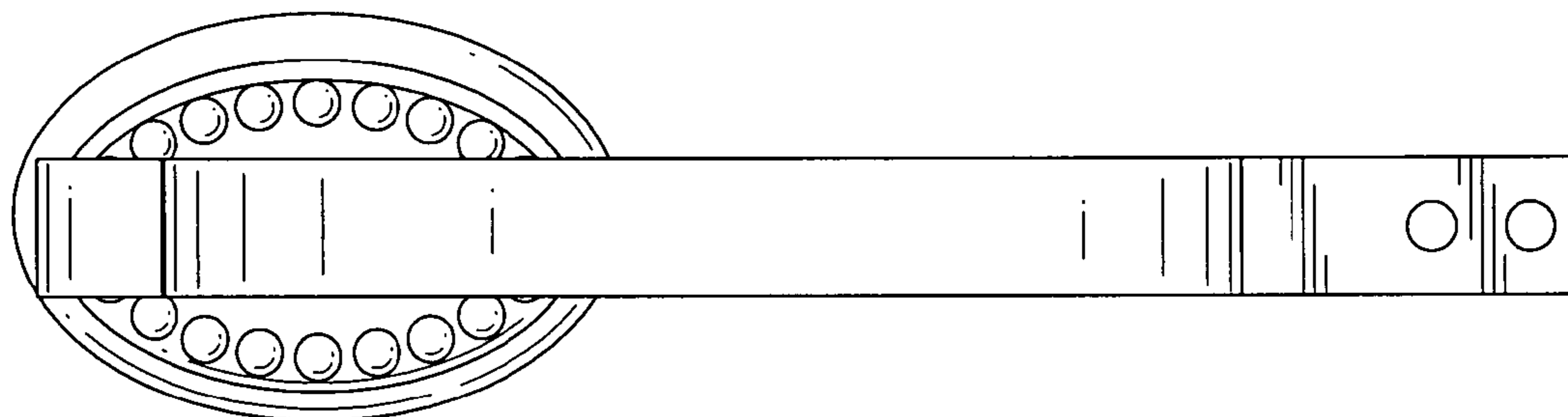


FIG. 7