



US00D551744S

(12) **United States Design Patent**  
**Yoo et al.**

(10) **Patent No.:** **US D551,744 S**

(45) **Date of Patent:** **\*\* Sep. 25, 2007**

(54) **WALL-INSTALLED TYPE AIR  
CONDITIONER EQUIPPED WITH TV**

D417,724 S \* 12/1999 Okamoto et al. .... D23/351  
D448,838 S \* 10/2001 Galeazzi et al. .... D23/354  
D469,525 S \* 1/2003 Giugiaro ..... D23/328

(75) Inventors: **Joong Gil Yoo**, Gyeonggi-do (KR); **Hee  
Jae Kwon**, Seoul (KR); **Kyu Nam Lee**,  
Gyeonggi-do (KR)

\* cited by examiner

*Primary Examiner*—Brian N Vinson

(73) Assignee: **LG Electronics Inc.**, Seoul (KR)

(74) *Attorney, Agent, or Firm*—Birch, Stewart, Kolasch &  
Birch, LLP

(\*\*) Term: **14 Years**

(57) **CLAIM**

(21) Appl. No.: **29/268,917**

The ornamental design for a wall-installed type air condi-  
tioner equipped with TV, as shown and described.

(22) Filed: **Nov. 16, 2006**

(30) **Foreign Application Priority Data**

**DESCRIPTION**

Jul. 27, 2006 (KR) ..... 30-2006-0031674

FIG. 1 is a perspective view of a wall-installed type air  
conditioner equipped with TV showing my (our) new  
design;

(51) **LOC (8) Cl.** ..... **23-03**

FIG. 2 is a front view thereof;

(52) **U.S. Cl.** ..... **D23/351**

FIG. 3 is a rear view thereof;

(58) **Field of Classification Search** ..... D23/351-354;  
312/236; 62/259.1, 259.4, 262-263, 304;  
454/330-331, 349-350

FIG. 4 is a left side view thereof;

See application file for complete search history.

FIG. 5 is a right side view thereof;

(56) **References Cited**

FIG. 6 is a top plan view thereof;

**U.S. PATENT DOCUMENTS**

FIG. 7 is a bottom plan view thereof; and,

4,733,543 A \* 3/1988 Blair ..... 312/236

FIG. 8 is a perspective view showing an example of the  
usage of the subject design.

D321,248 S \* 10/1991 Wilgus et al. .... D23/351

D322,848 S \* 12/1991 Wilgus et al. .... D23/351

**1 Claim, 5 Drawing Sheets**

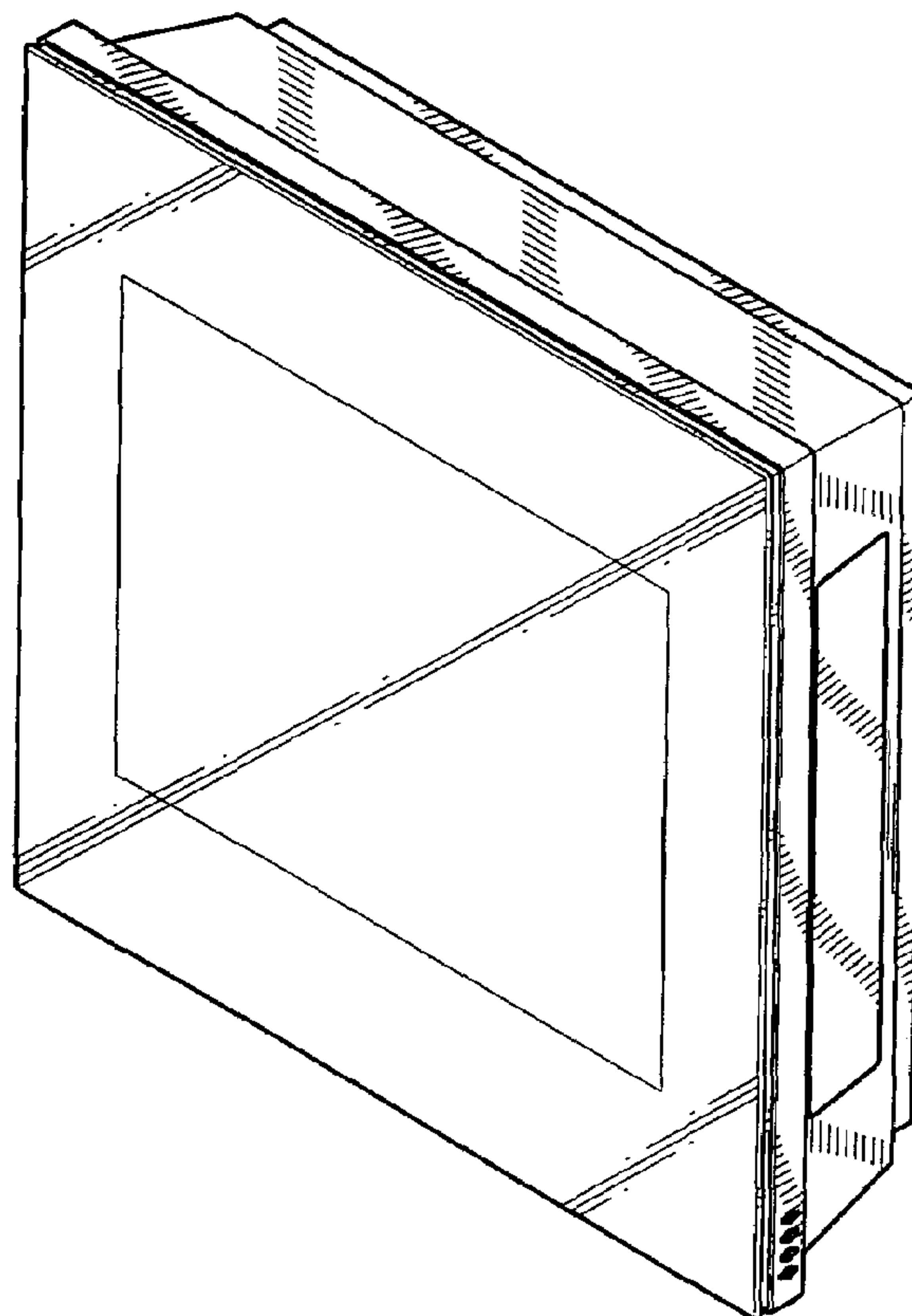


FIG. 1

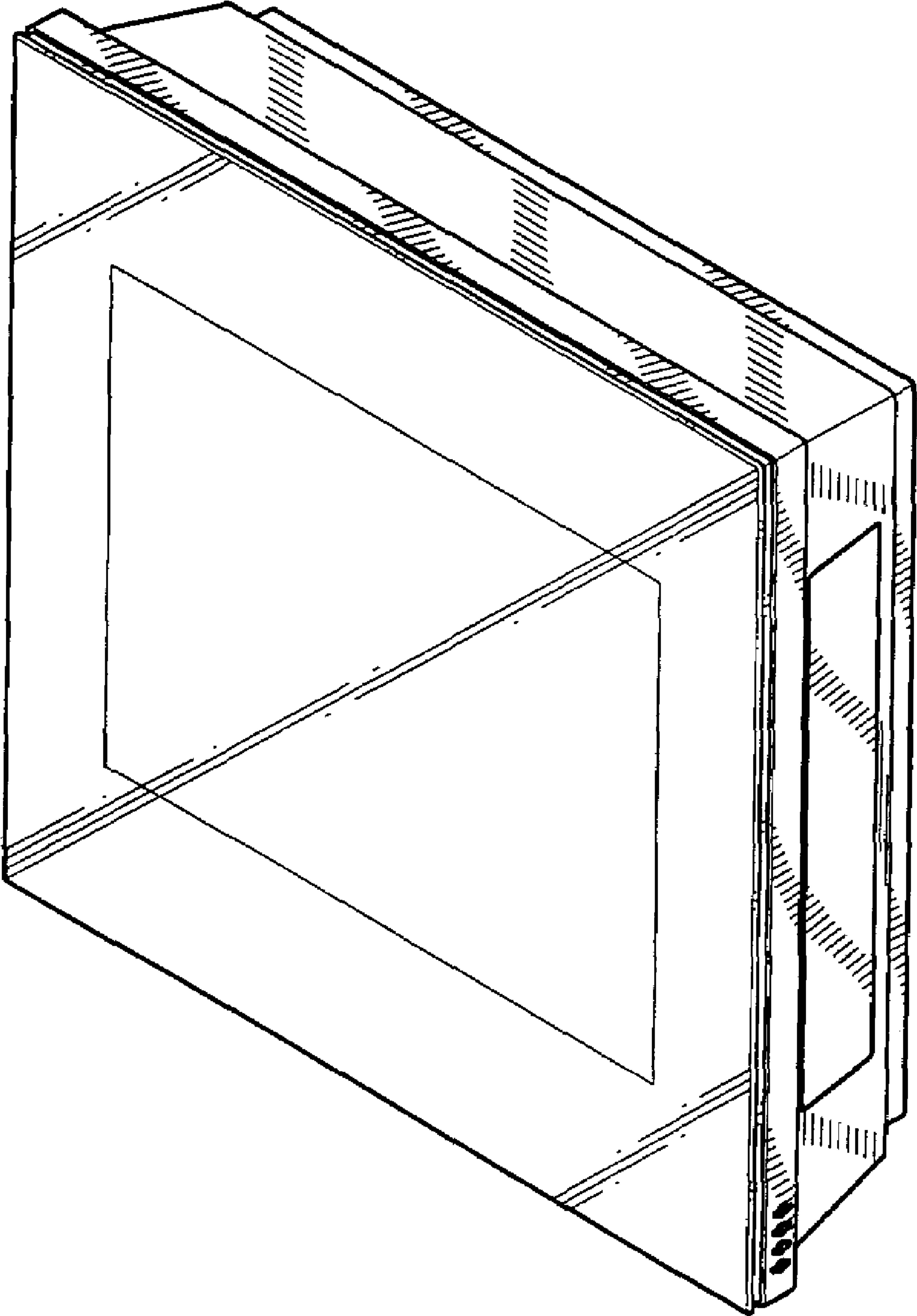


FIG. 2

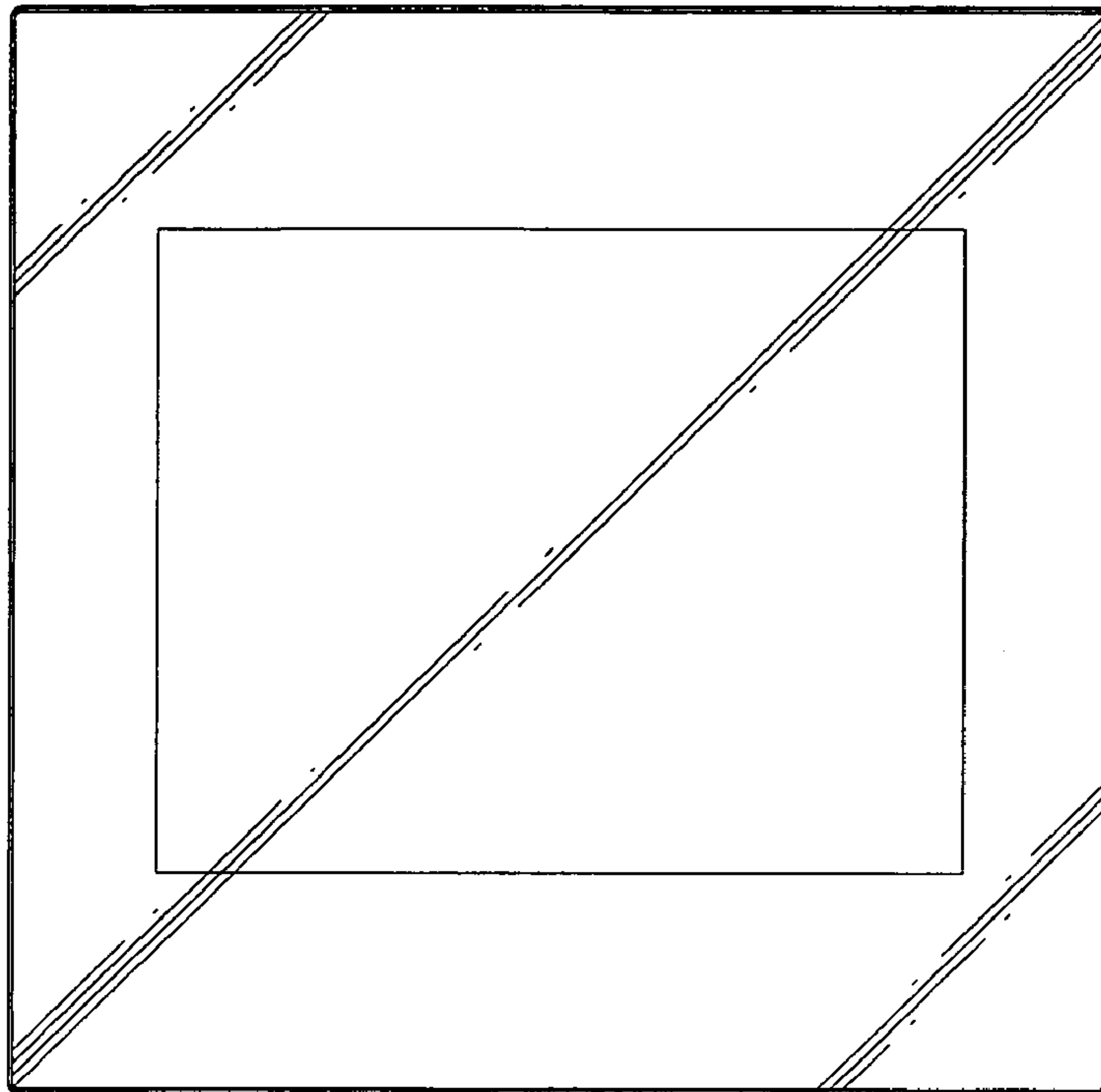


FIG. 3

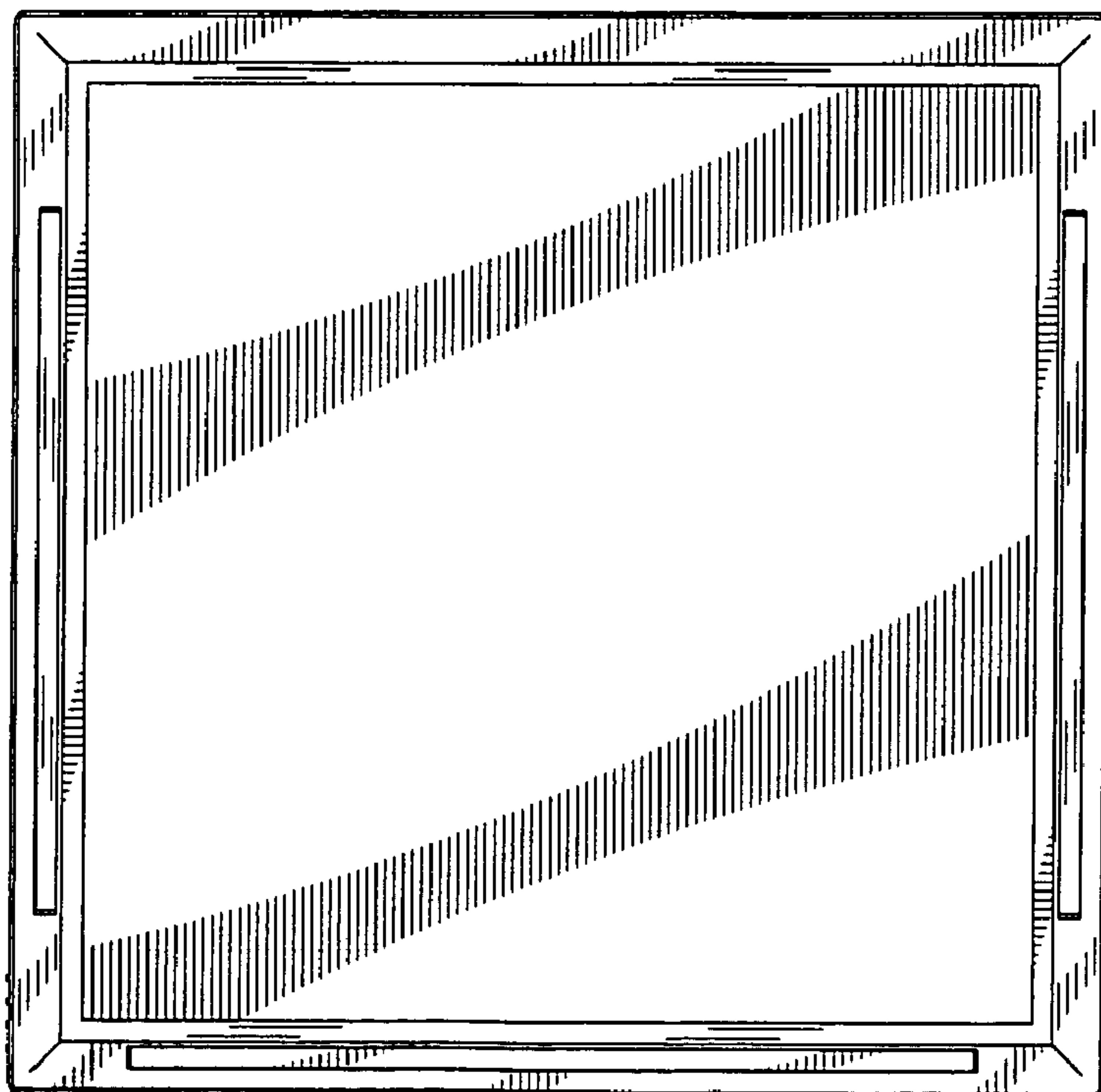


FIG. 4

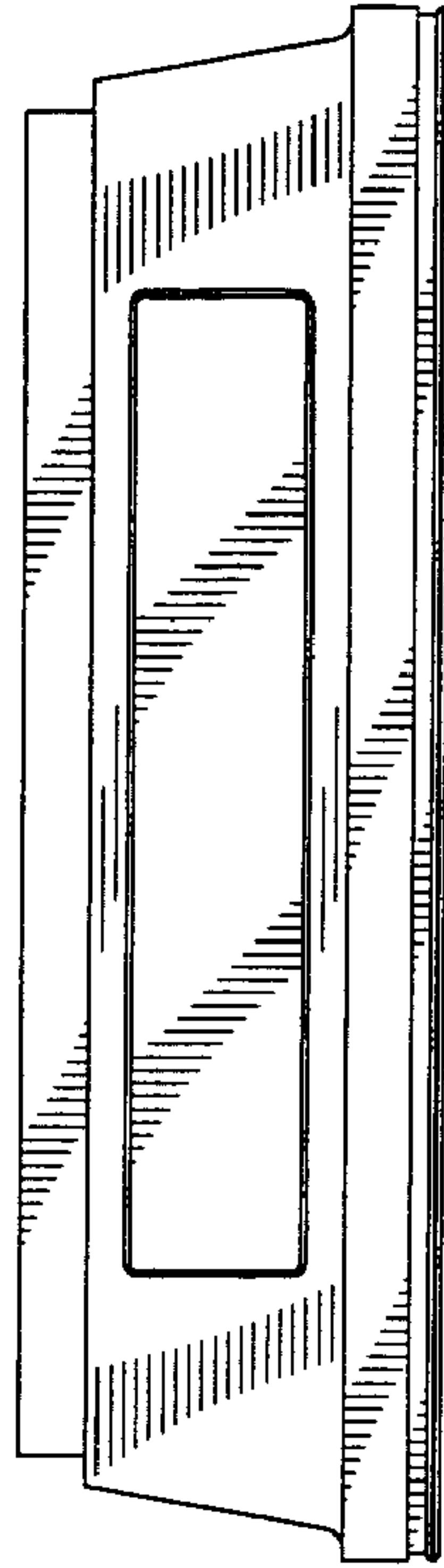


FIG. 5

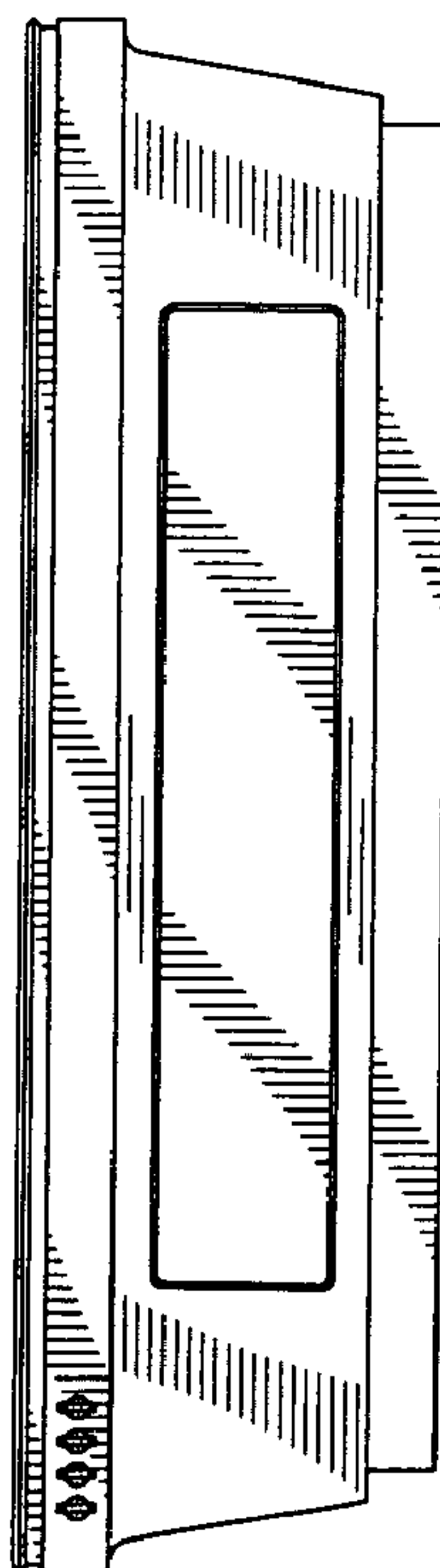


FIG. 6

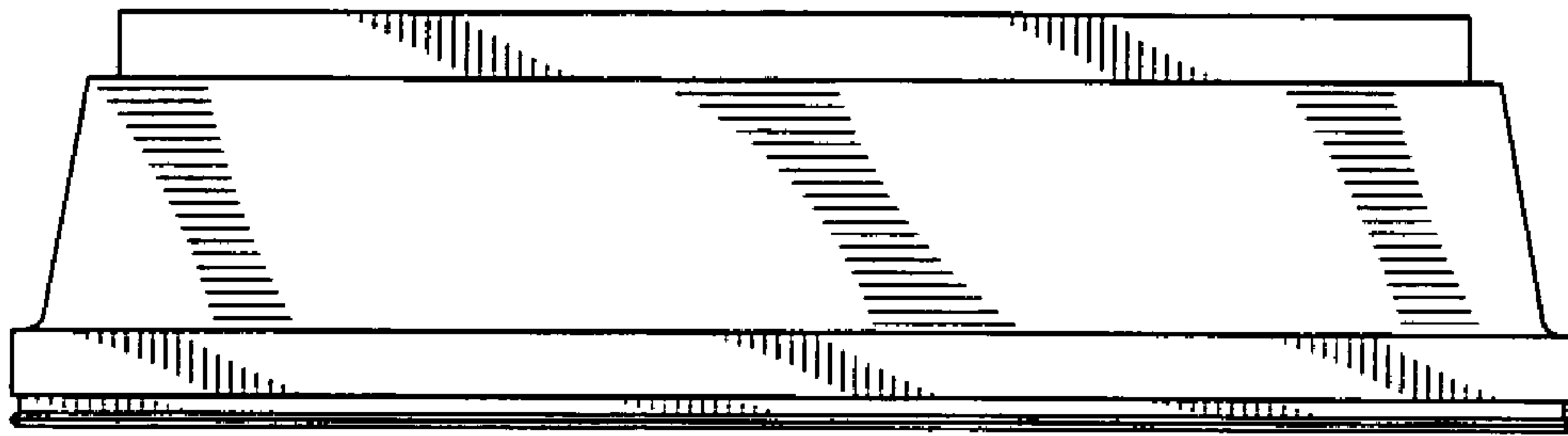


FIG. 7

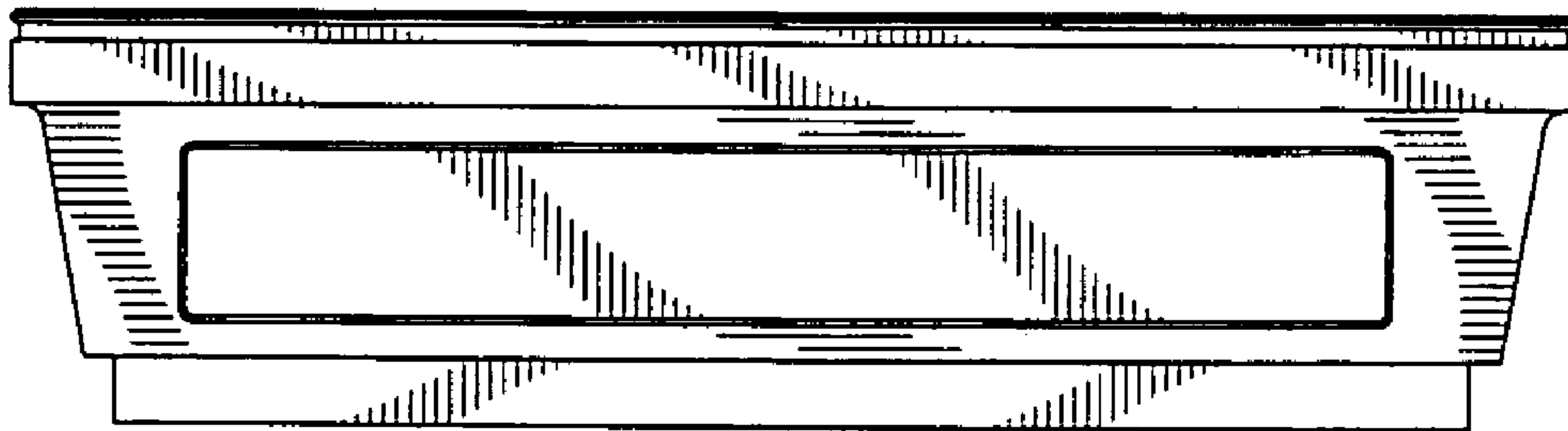


FIG. 8

