



US00D551739S

(12) **United States Design Patent**  
**Shinmura et al.**

(10) **Patent No.:** **US D551,739 S**

(45) **Date of Patent:** **\*\* Sep. 25, 2007**

(54) **ACTUATOR FOR AUTOMOTIVE AIR  
CONDITIONER**

7,038,422 B2 \* 5/2006 Nakajima ..... 318/652

**FOREIGN PATENT DOCUMENTS**

(75) Inventors: **Naohisa Shinmura**, Iwata (JP);  
**Tomonobu Hyodo**, Hamamatsu (JP);  
**Hiroto Inoue**, Okazaki (JP)

JP	2004-159475	6/2004
JP	2004-166320	6/2004
JP	2004-169910	6/2004

(73) Assignee: **Asmo Co., Ltd.** (JP)

\* cited by examiner

(\*\*) Term: **14 Years**

*Primary Examiner*—Ian Simmons  
*Assistant Examiner*—Maurice Stevens

(21) Appl. No.: **29/243,029**

(74) *Attorney, Agent, or Firm*—Nixon & Vanderhye PC

(22) Filed: **Nov. 18, 2005**

(57) **CLAIM**

(30) **Foreign Application Priority Data**

May 25, 2005	(JP)	.....	2005-015079
May 25, 2005	(JP)	.....	2005-015080
May 25, 2005	(JP)	.....	2005-015081

The ornamental design for an actuator for automotive air conditioner, as shown and described.

**DESCRIPTION**

(51) **LOC (8) Cl.** ..... **23-01**

(52) **U.S. Cl.** ..... **D23/233**

(58) **Field of Classification Search** ..... D23/233–237;  
318/446, 468, 599, 652; 165/202–204, 42–43;  
62/262, 298; 200/19 R, 24, 37 R, 501; D8/21,  
D8/22, 25, 27, 29

See application file for complete search history.

FIG. 1 is a front perspective view of an actuator for automotive air conditioner showing our new design;  
FIG. 2 is a rear perspective view thereof;  
FIG. 3 is a front view thereof;  
FIG. 4 is a rear view thereof;  
FIG. 5 is a top plan view thereof;  
FIG. 6 is a bottom plan view thereof;  
FIG. 7 is a right side elevational view thereof; and,  
FIG. 8 is a left side elevational view thereof.

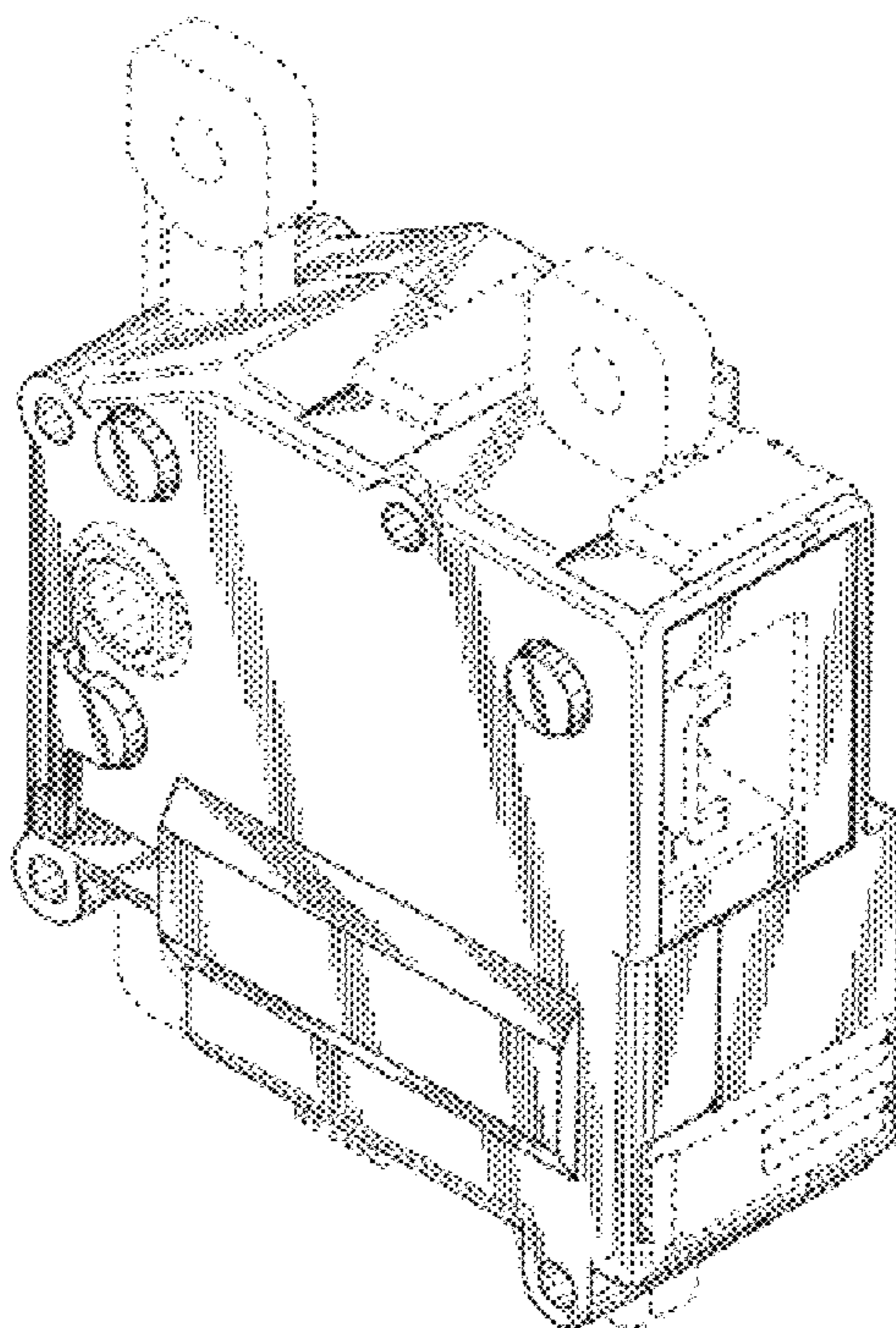
The broken lines are shown for illustrative purposes only and form no part of the claimed design.

(56) **References Cited**

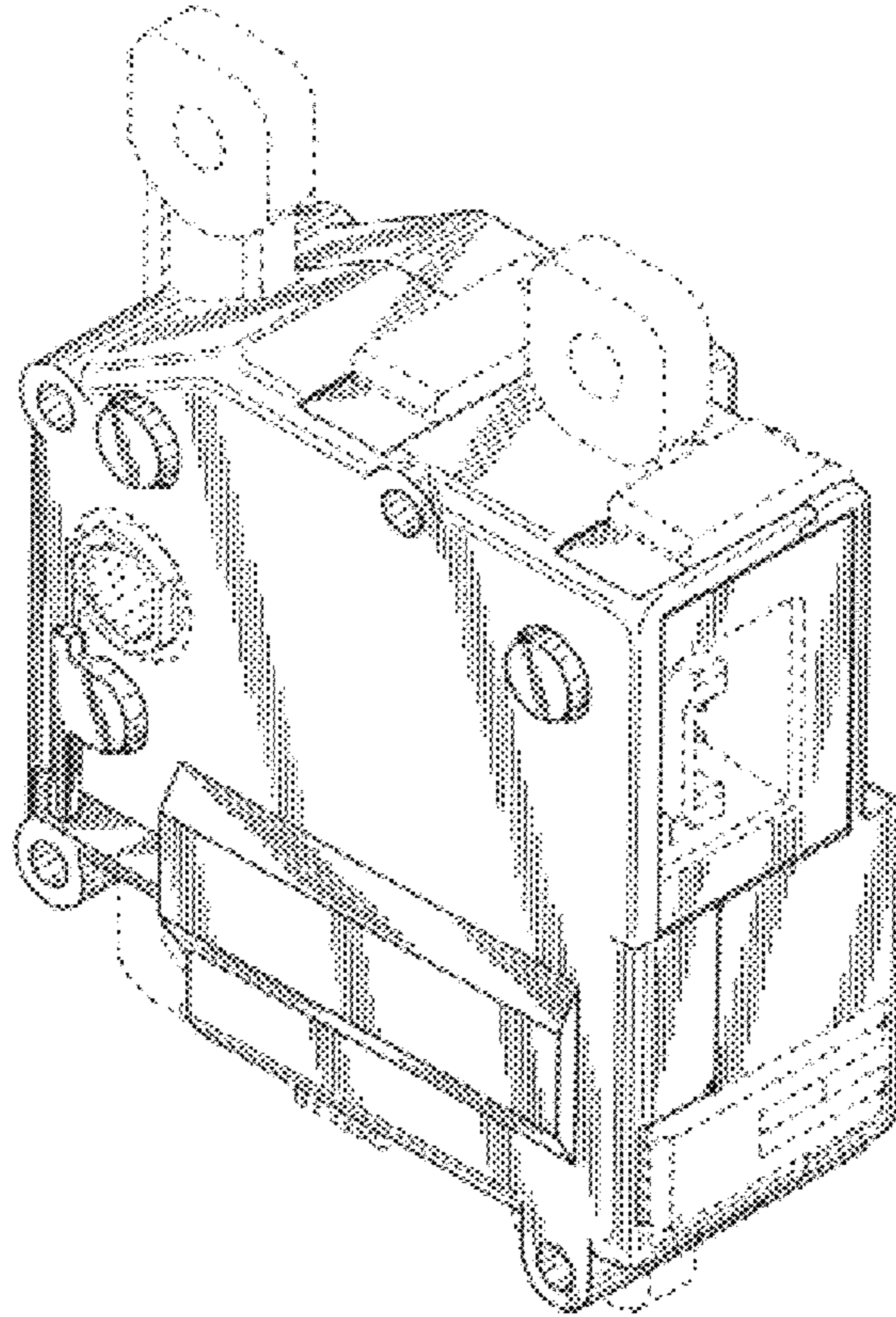
**U.S. PATENT DOCUMENTS**

D295,280 S	*	4/1988	Walser	.....	D23/249
4,877,926 A	*	10/1989	Yamase	.....	200/19.01
4,878,001 A	*	10/1989	Hagikura et al.	.....	318/446
D479,576 S	*	9/2003	Wright	.....	D23/233

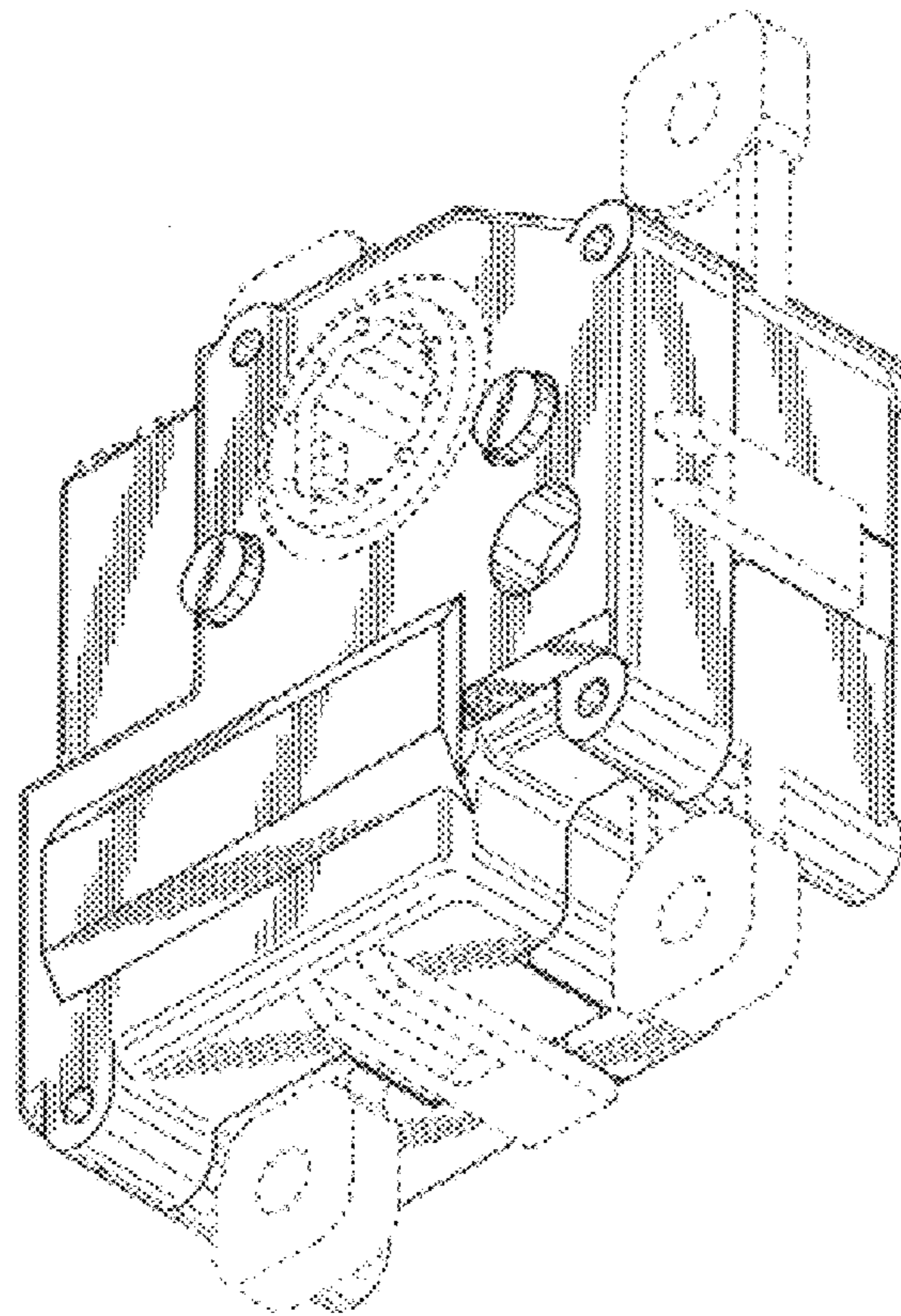
**1 Claim, 4 Drawing Sheets**



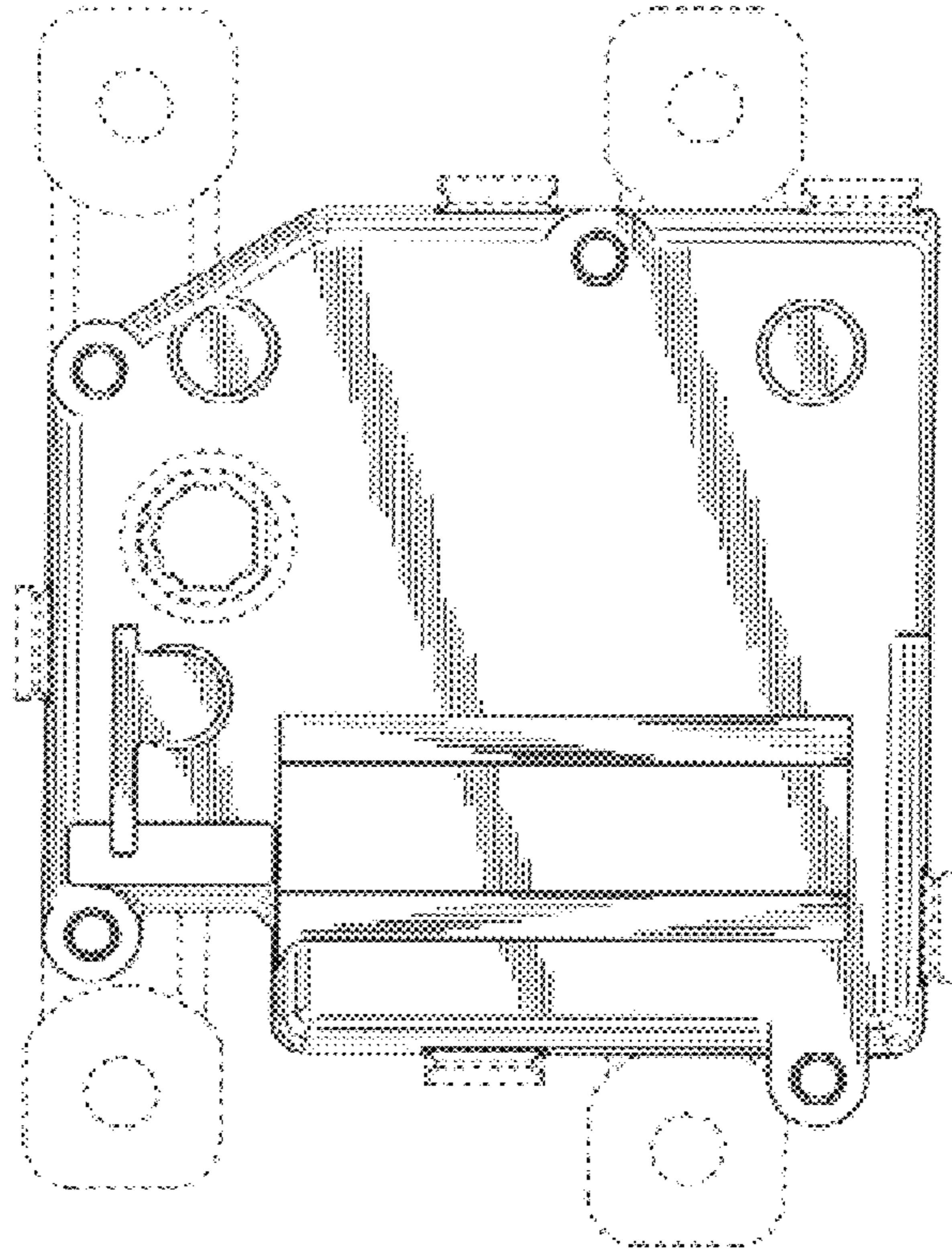
**FIG. 1**



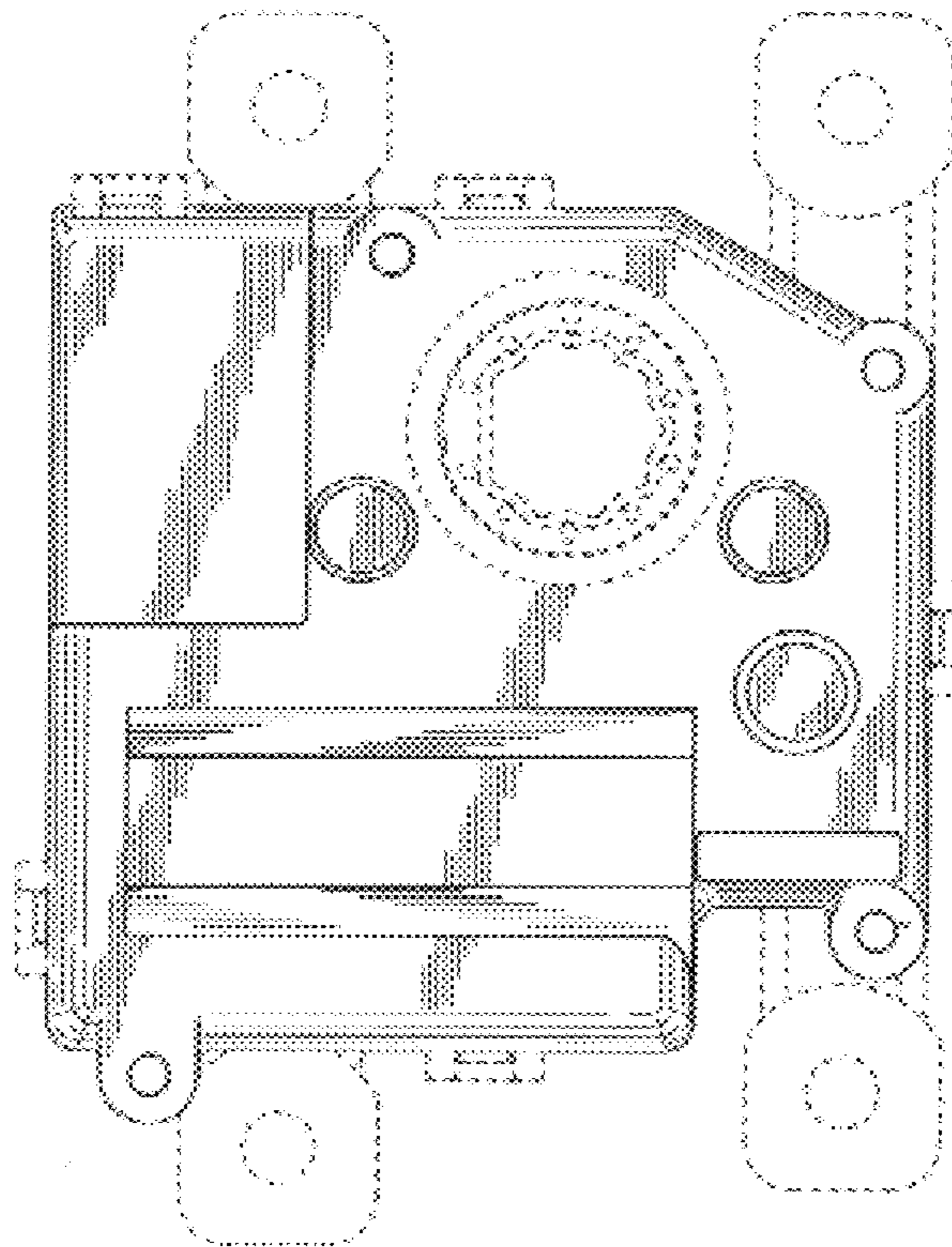
**FIG. 2**



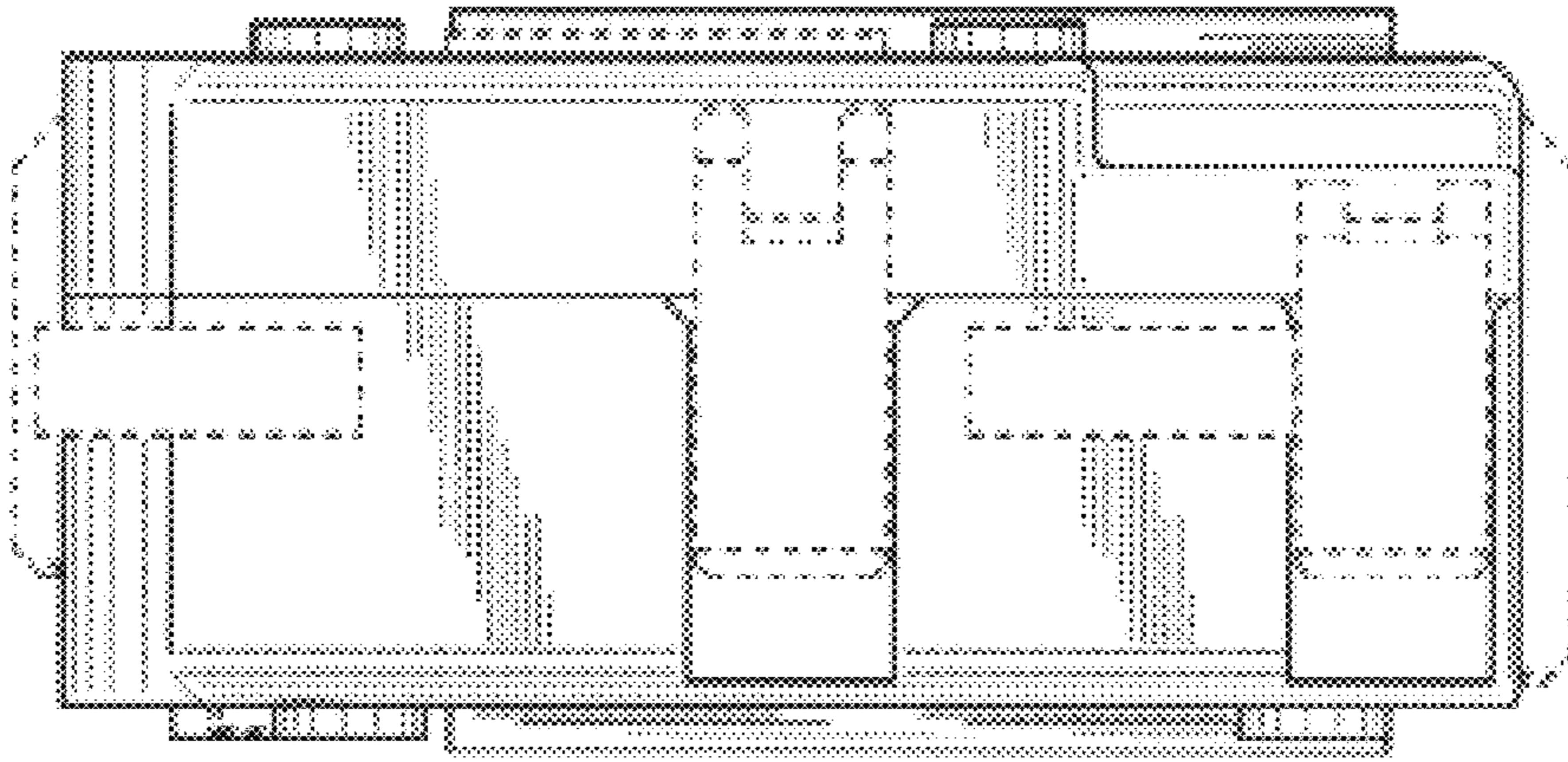
**FIG. 3**



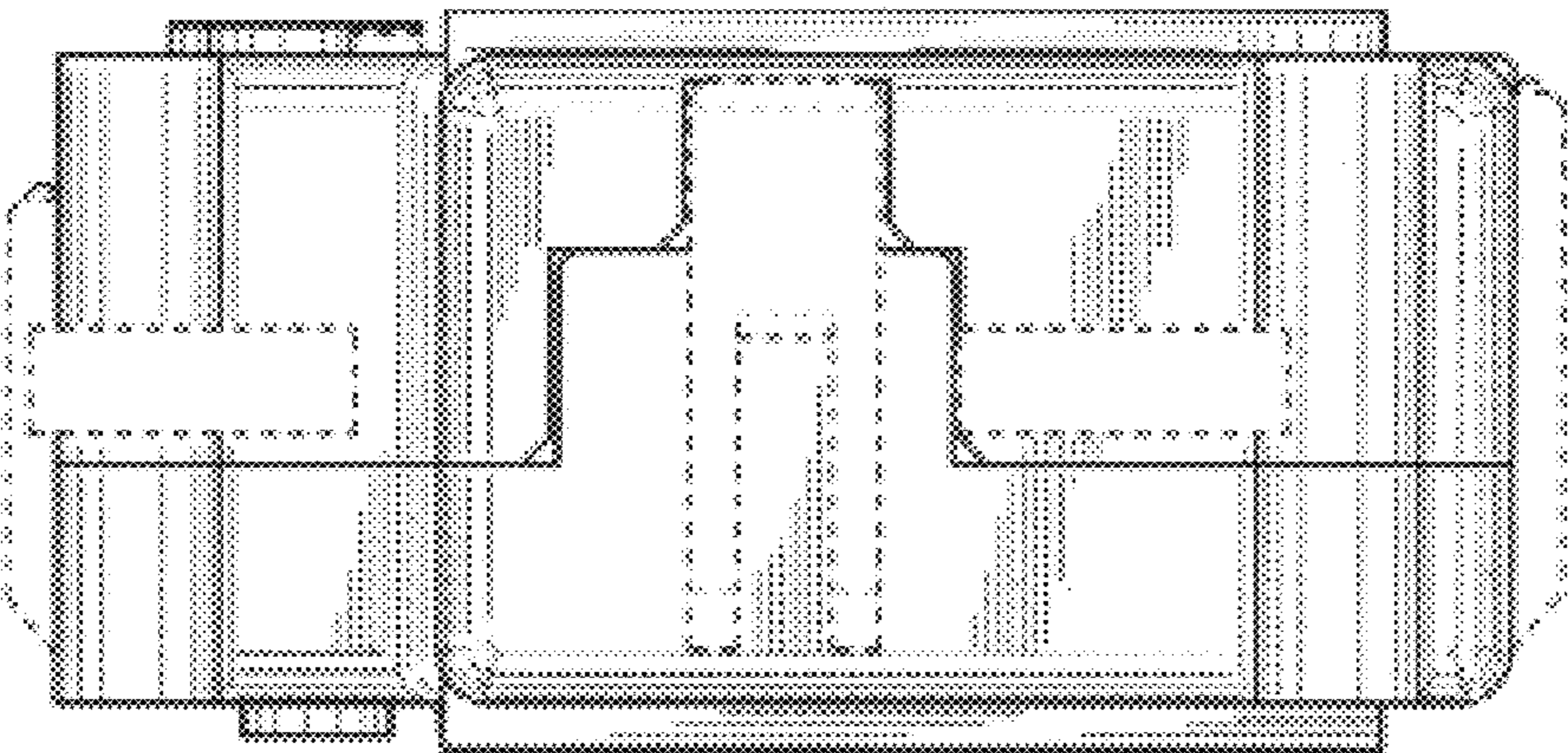
**FIG. 4**



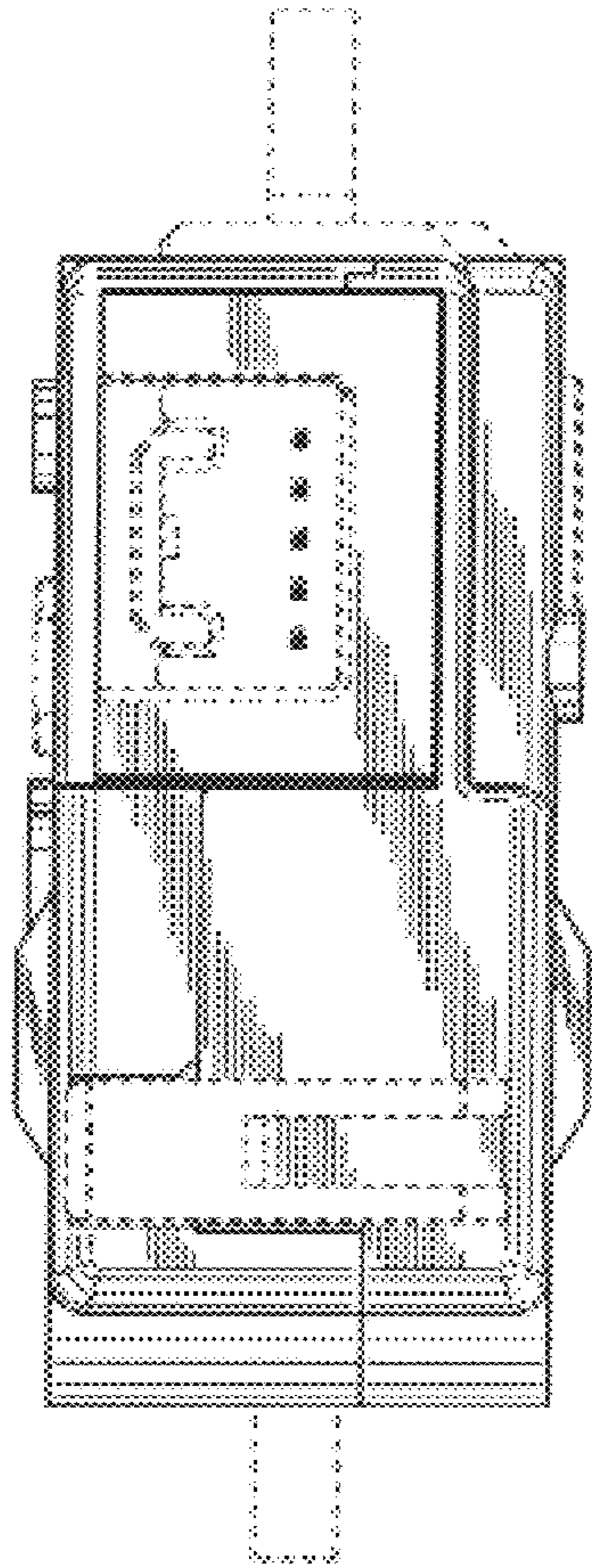
*FIG. 5*



*FIG. 6*



*FIG. 7*



*FIG. 8*

