



US00D551737S

(12) **United States Design Patent**  
**Haug et al.**

(10) **Patent No.:** **US D551,737 S**

(45) **Date of Patent:** **\*\* Sep. 25, 2007**

(54) **HAND SHOWER**

(57) **CLAIM**

(75) Inventors: **Andreas Haug**, Stuttgart (DE); **Tom Schonherr**, Lorch (DE); **Andreas Dimitriadis**, Lorch (DE); **Fabian Kollmann**, Stuttgart (DE)

The ornamental design for a hand shower, as shown and described.

(73) Assignee: **Hansgrohe AG** (DE)

**DESCRIPTION**

(\*\*) Term: **14 Years**

FIG. 1 is a front perspective view of a hand shower showing our design;

(21) Appl. No.: **29/262,816**

FIG. 2 is a front elevational view thereof;

(22) Filed: **Jul. 11, 2006**

FIG. 3 is a bottom plan view thereof;

(51) **LOC (8) Cl.** ..... **23-01**

FIG. 4 is a left side elevational view thereof;

(52) **U.S. Cl.** ..... **D23/223**

FIG. 5 is a top elevational view thereof;

(58) **Field of Classification Search** ..... D23/213,  
D23/223, 226; 239/394, 282–283  
See application file for complete search history.

FIG. 6 is a rear elevational view thereof;

FIG. 7 is a front perspective view of an alternative embodiment of the hand shower showing our design;

FIG. 8 is a front elevational view of the alternative embodiment thereof;

(56) **References Cited**

FIG. 9 is a bottom plan view of the alternative embodiment thereof;

**U.S. PATENT DOCUMENTS**

D497,974 S *	11/2004	Haug et al.	.....	D23/223
D513,525 S *	1/2006	Haug et al.	.....	D23/223
D527,072 S *	8/2006	Wu	.....	D23/223

FIG. 10 is a left side elevational view of the alternative embodiment thereof;

FIG. 11 is a top elevational view of the alternative embodiment thereof; and,

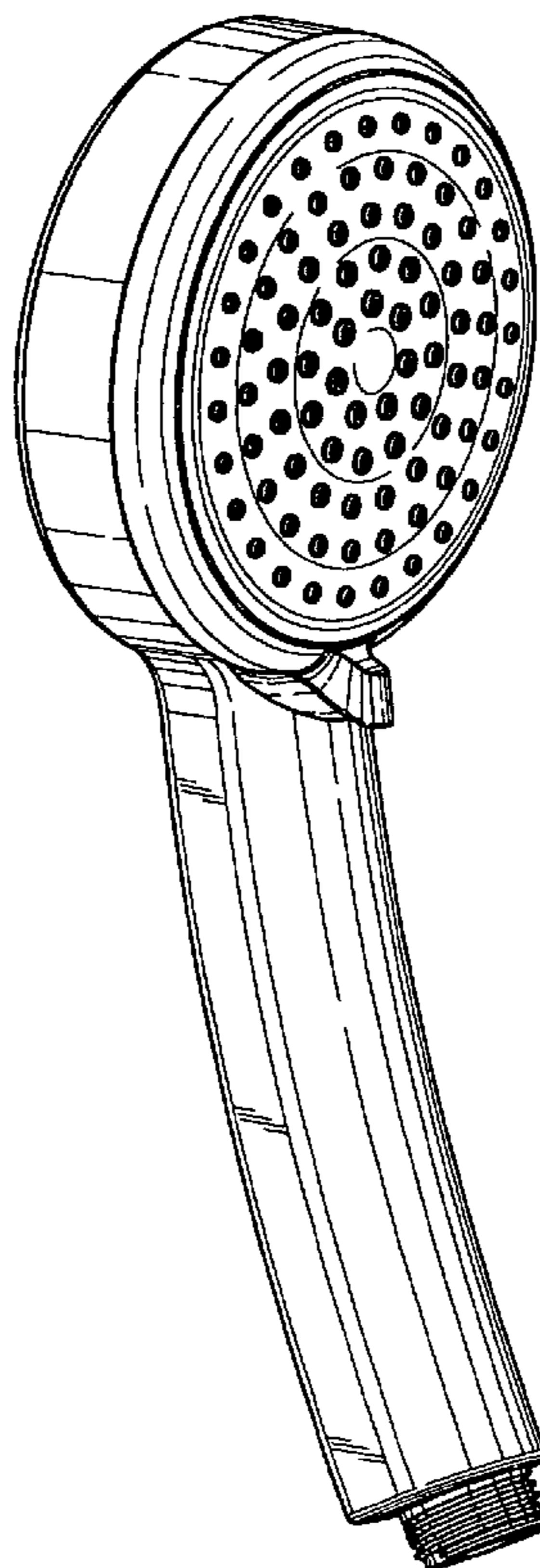
\* cited by examiner

FIG. 12 is a rear elevational view of the alternative embodiment thereof.

*Primary Examiner*—Robin V. Webster

(74) *Attorney, Agent, or Firm*—Leon E. Redman; Lloyd D. Doigan

**1 Claim, 6 Drawing Sheets**



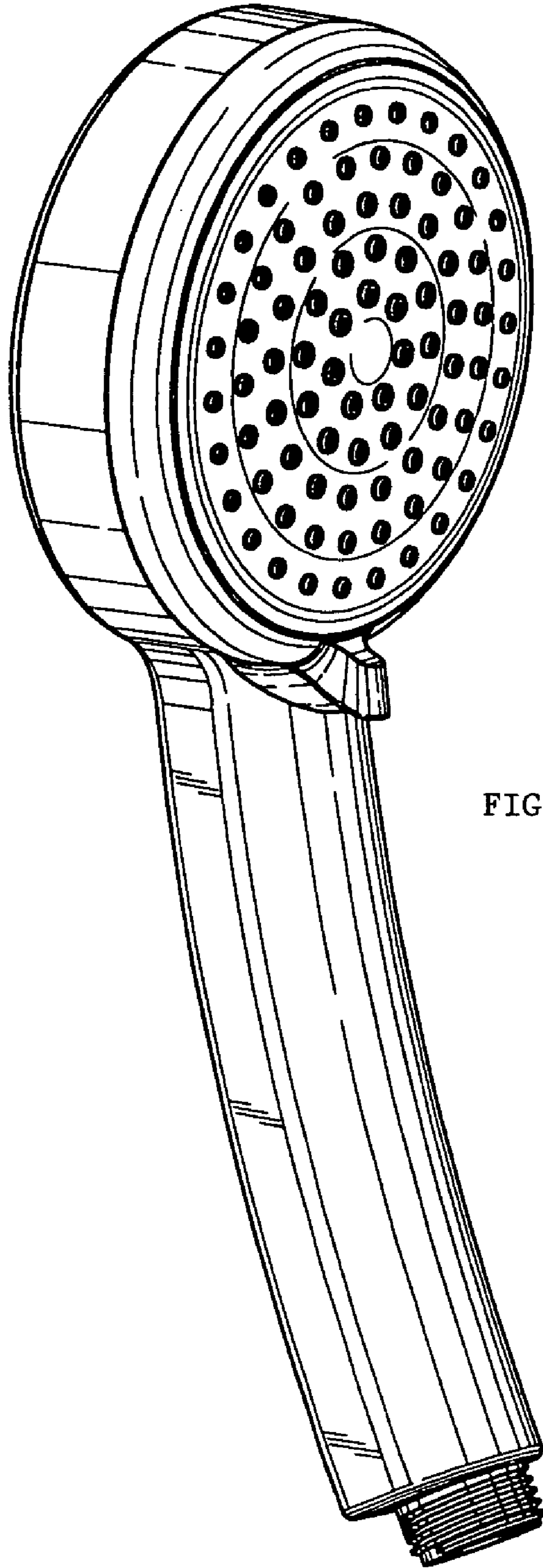


FIG. 1

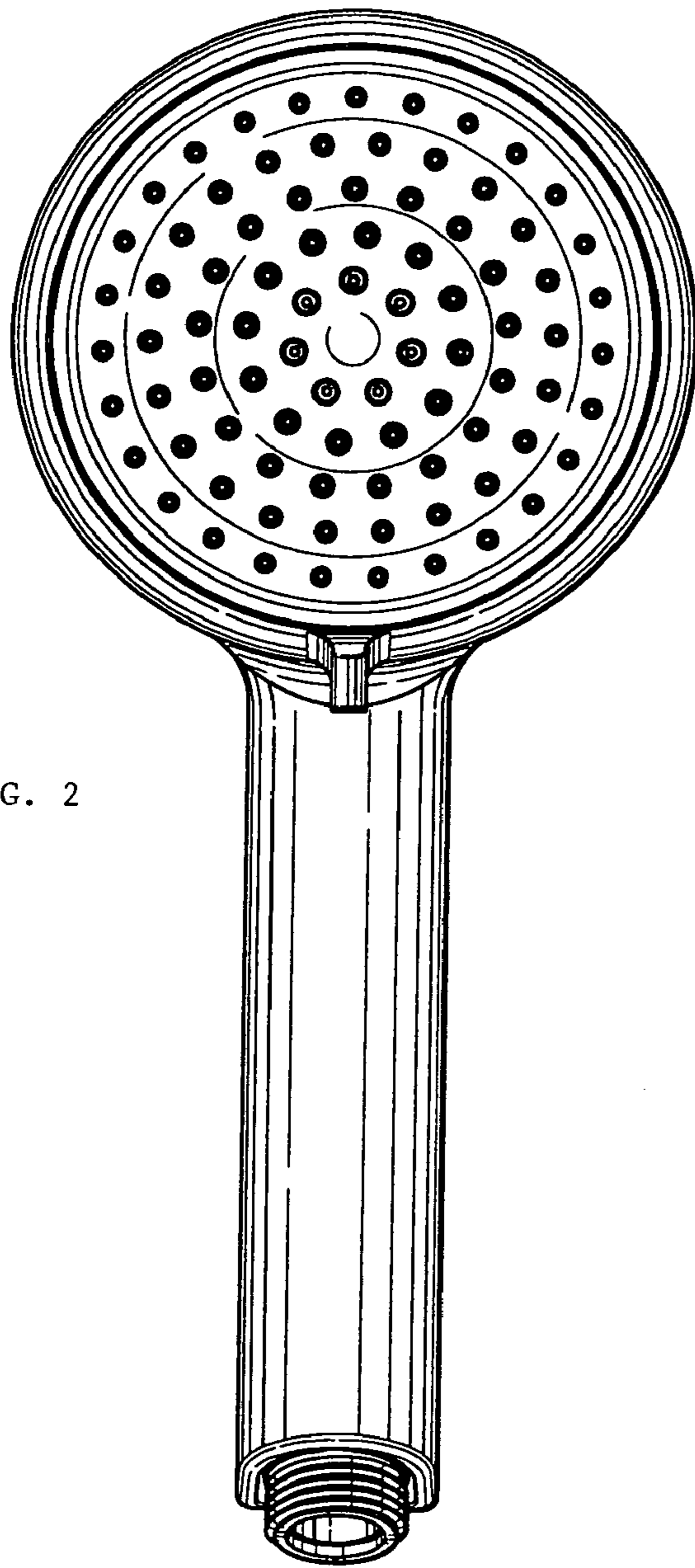


FIG. 2

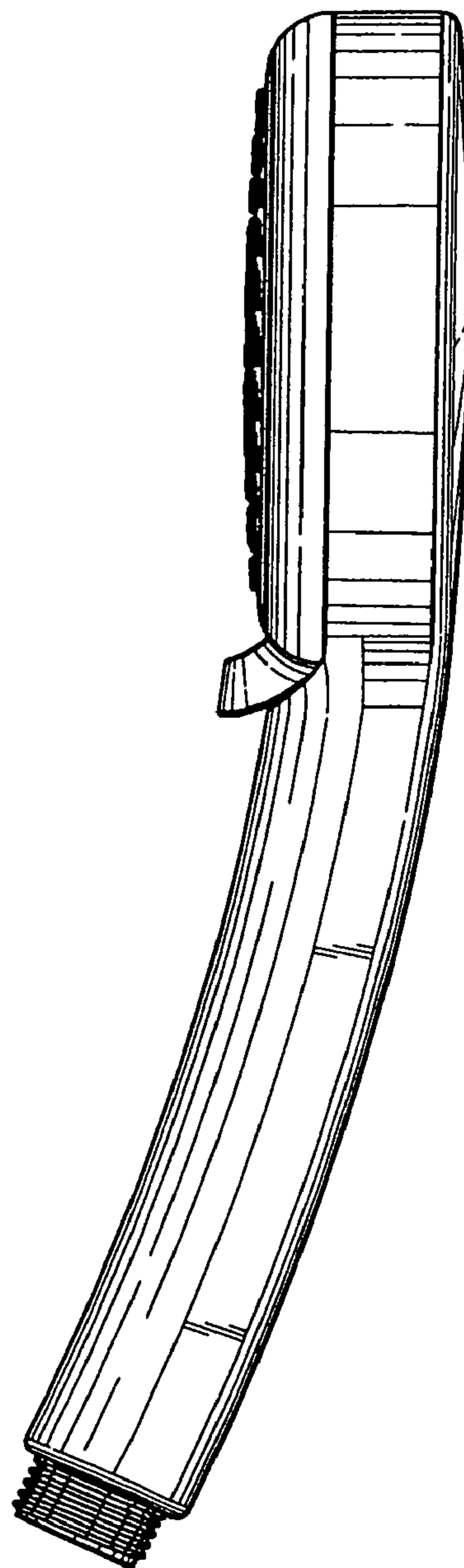


FIG. 4

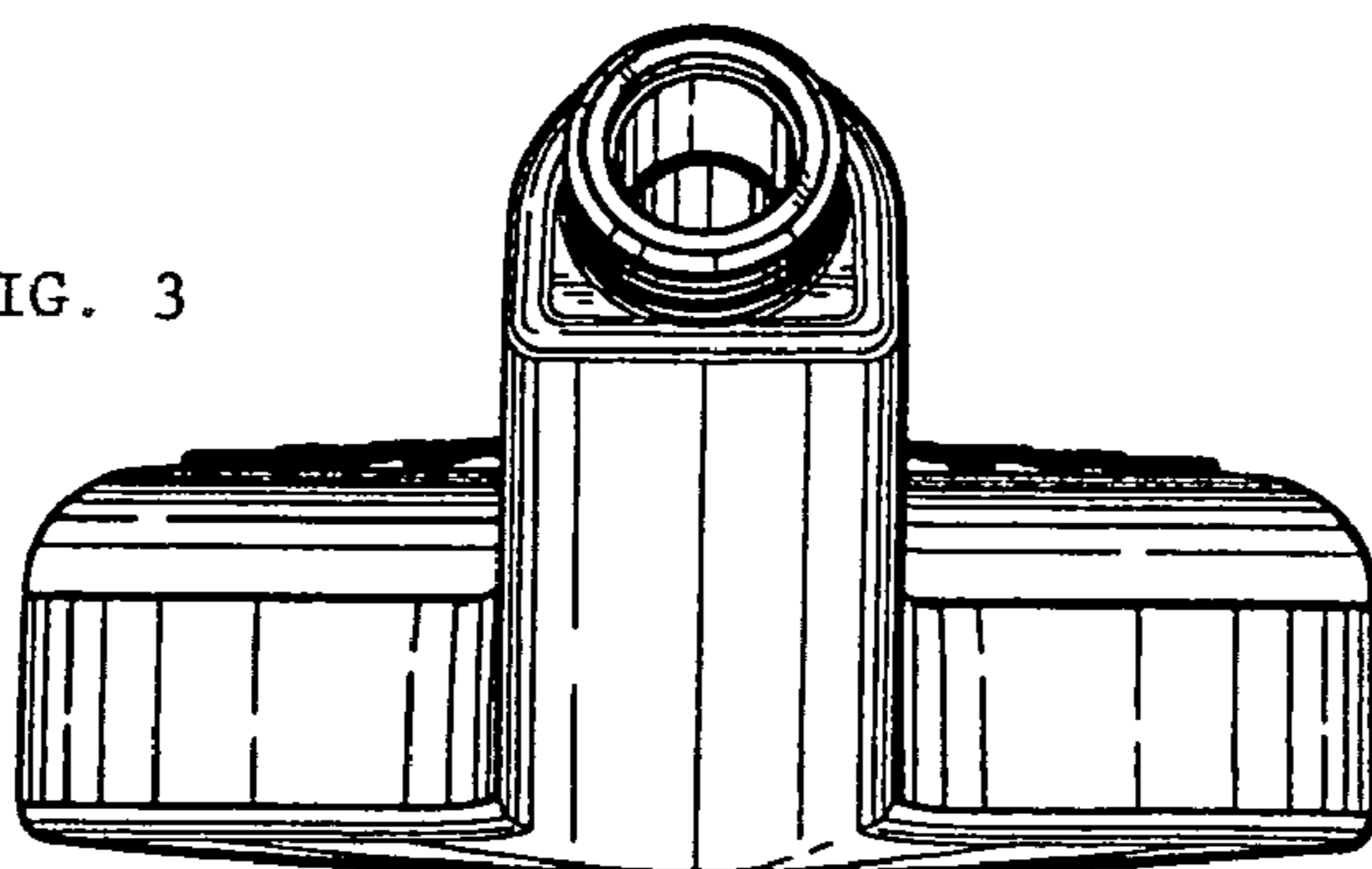


FIG. 3

FIG. 5

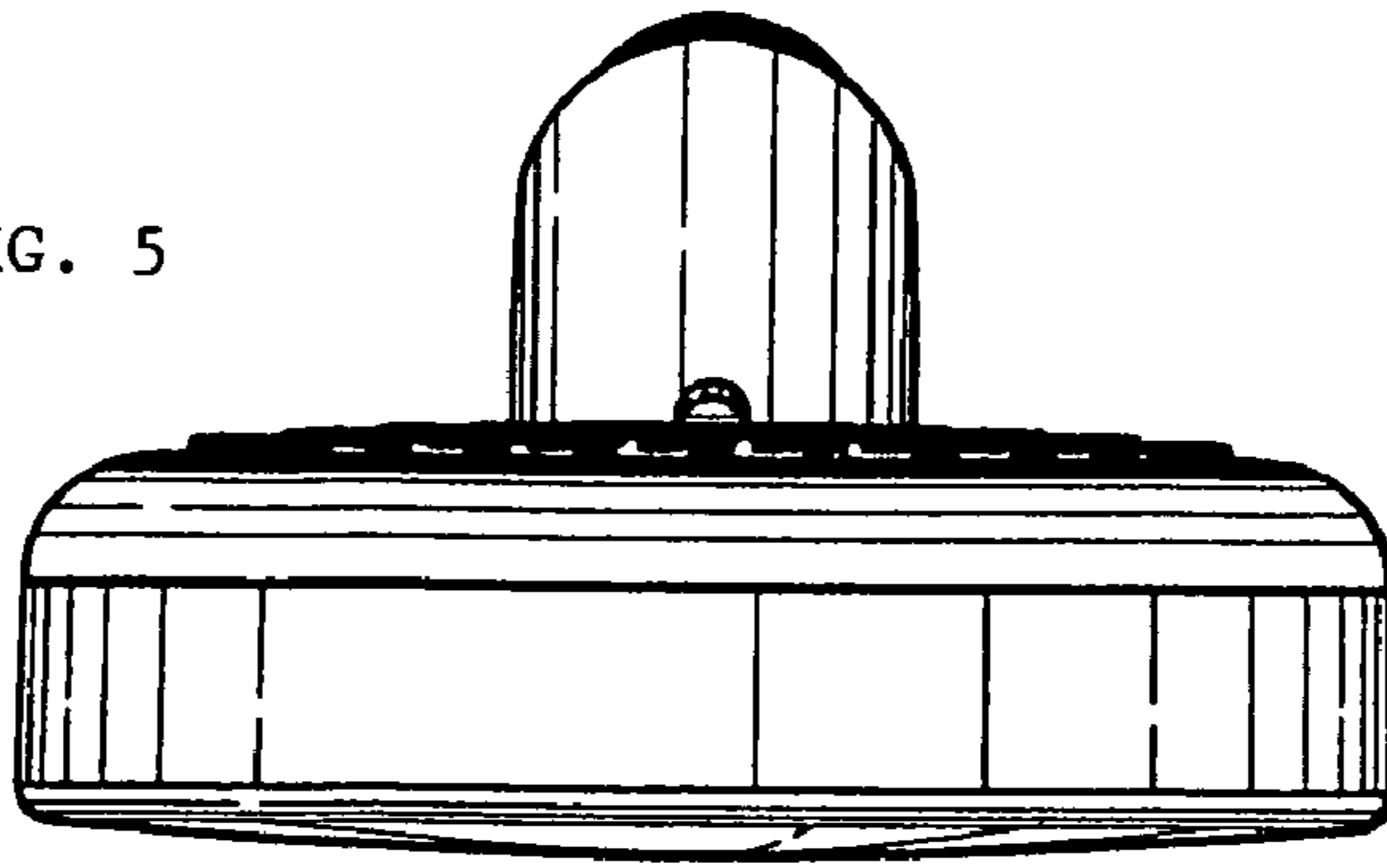
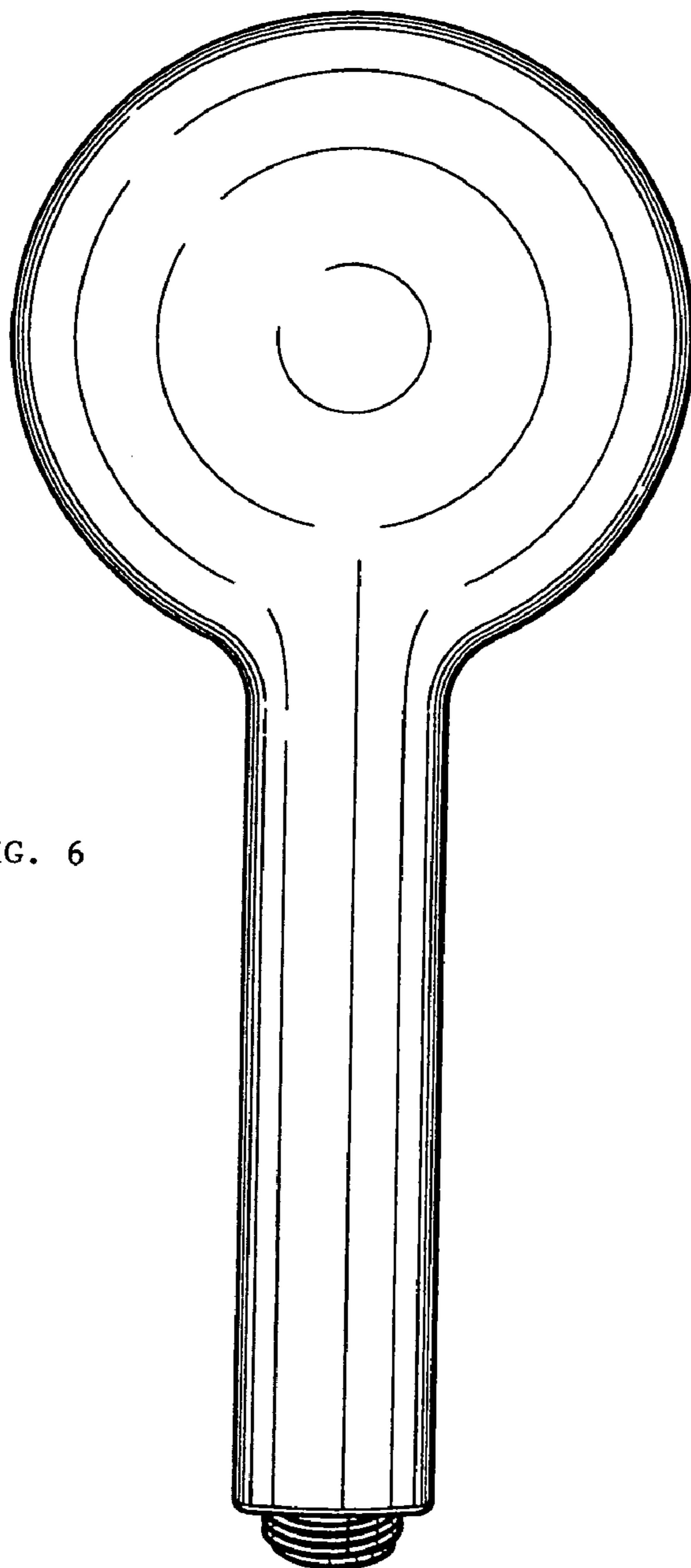


FIG. 6



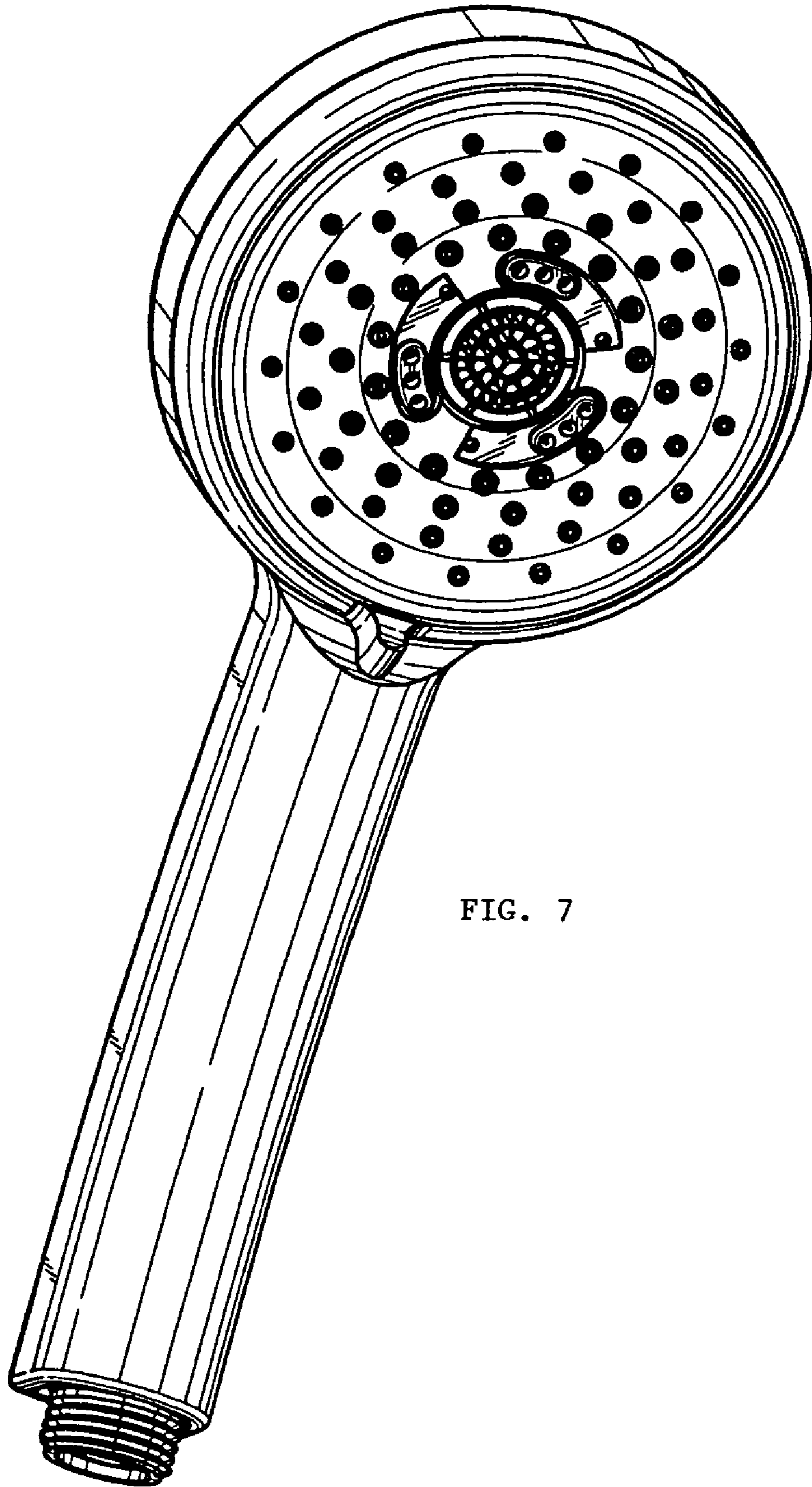


FIG. 7

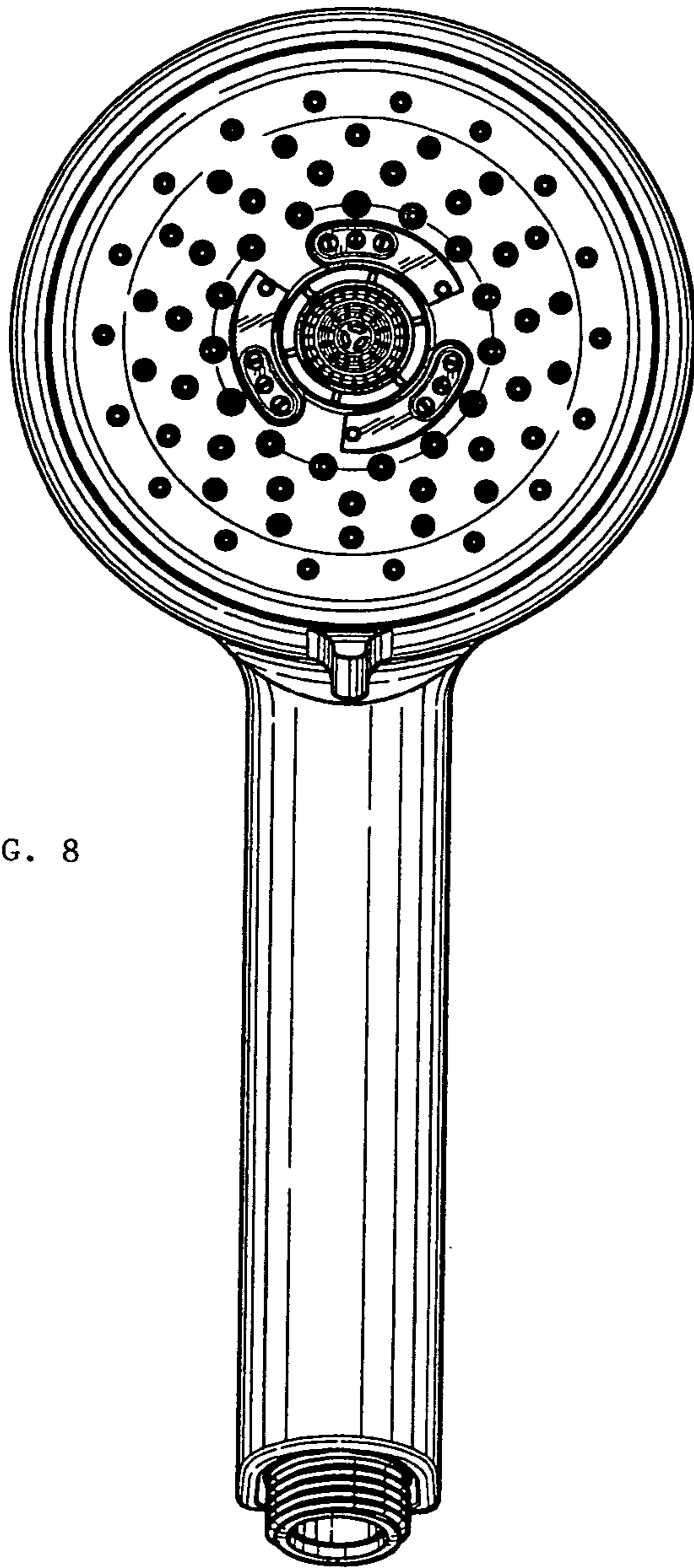


FIG. 8

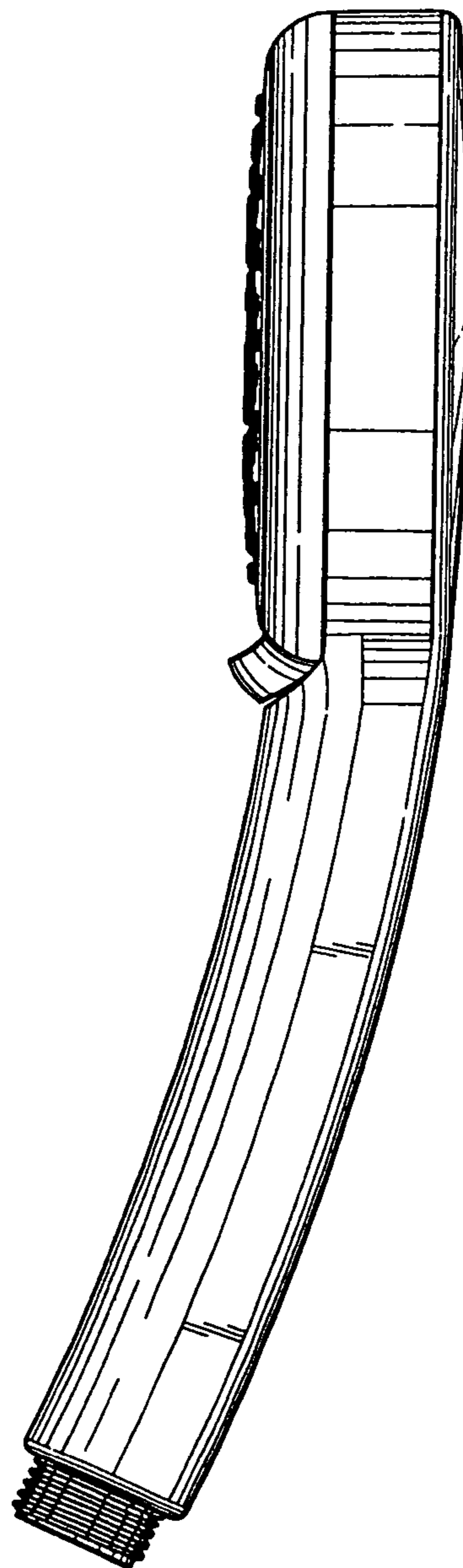


FIG. 10

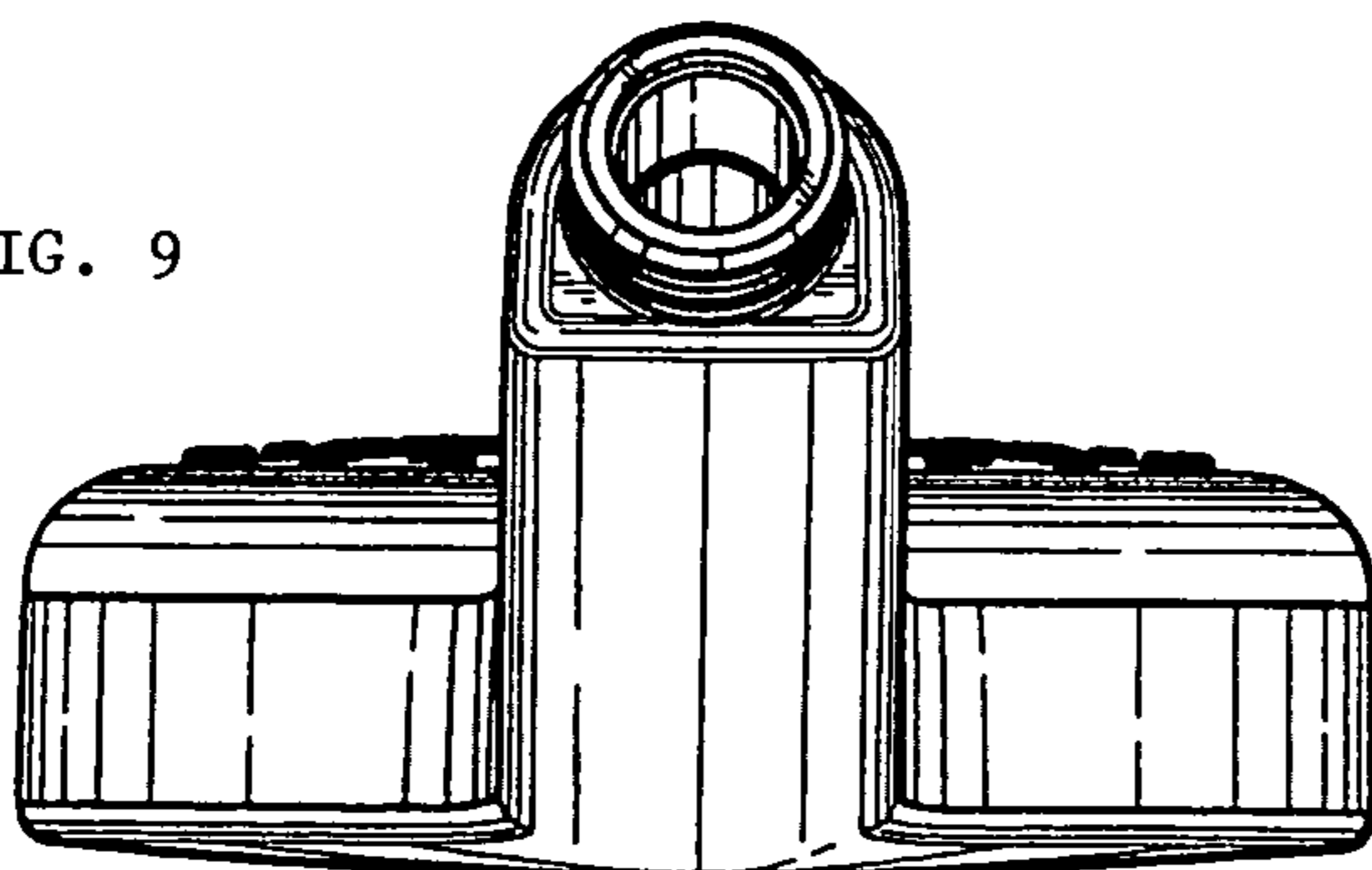


FIG. 9

FIG. 11

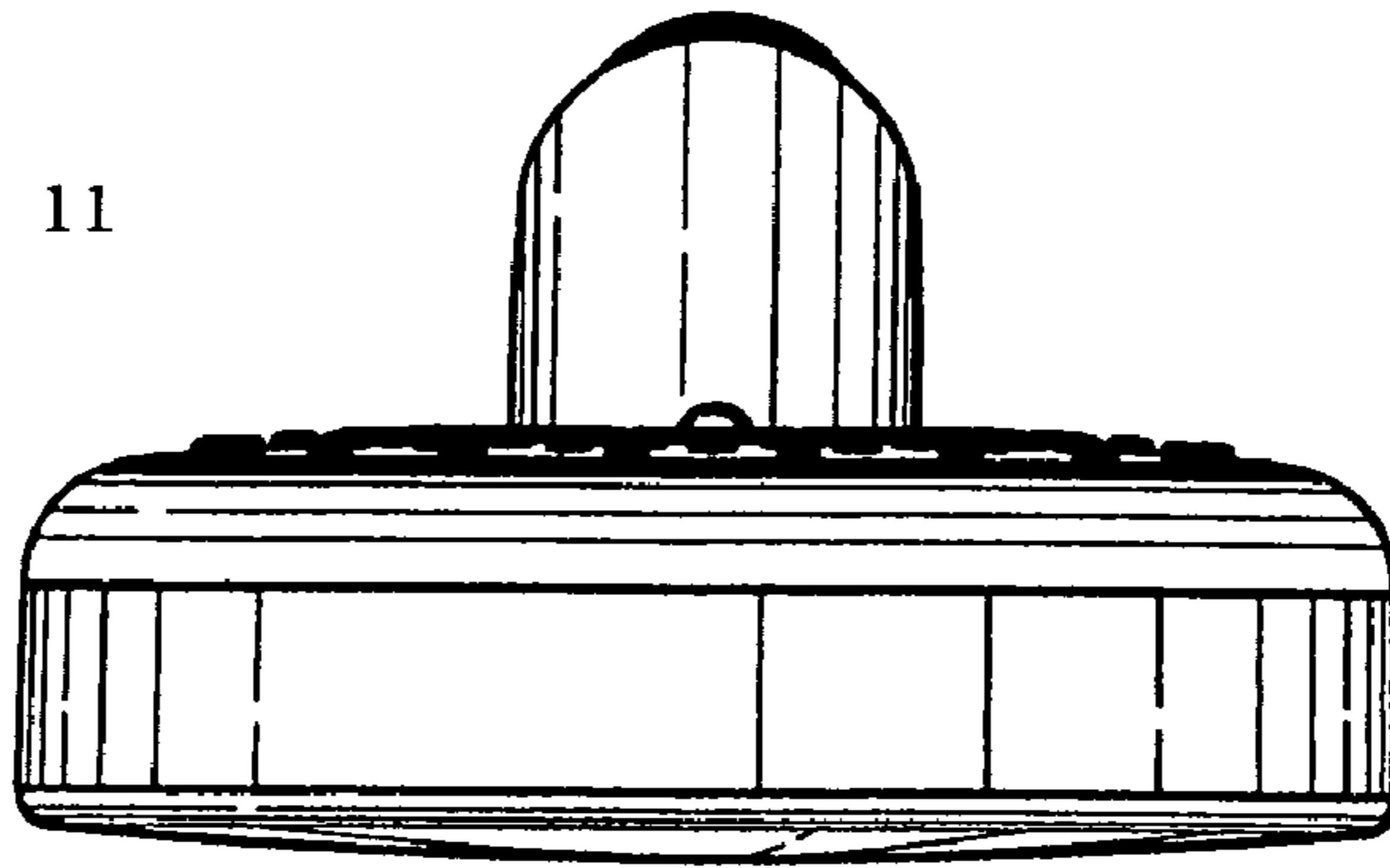


FIG. 12

