



US00D551736S

(12) **United States Design Patent**
Lipshultz et al.

(10) **Patent No.:** **US D551,736 S**

(45) **Date of Patent:** **** Sep. 25, 2007**

(54) **WATER PURIFICATION UNIT**

(76) Inventors: **Alfred J. Lipshultz**, 950 S. Andrews Ave., Pompano Beach, FL (US) 33069;
Mitchell Lipshultz, 950 S. Andrews Ave., Pompano Beach, FL (US) 33069

(**) Term: **14 Years**

(21) Appl. No.: **29/254,034**

(22) Filed: **Feb. 16, 2006**

(51) **LOC (8) Cl.** **23-01**

(52) **U.S. Cl.** **D23/207**

(58) **Field of Classification Search** D23/207,
D23/209; 210/94, 167.21, 167.23, 172.1
See application file for complete search history.

(56) **References Cited**

U.S. PATENT DOCUMENTS

D290,286 S * 6/1987 Padilla D23/207
4,842,724 A * 6/1989 Bray et al. 210/104
D364,672 S * 11/1995 Lipshultz et al. D23/207

* cited by examiner

Primary Examiner—Robin Webster

(74) *Attorney, Agent, or Firm*—Charles E. Baxley

(57) **CLAIM**

The ornamental design of a water purification unit, as shown and described.

DESCRIPTION

FIG. 1 is a downward frontal right sided prospective view of a water purification unit according to my design;

FIG. 2 is a front elevational view thereof;

FIG. 3 is a rear elevational view thereof;

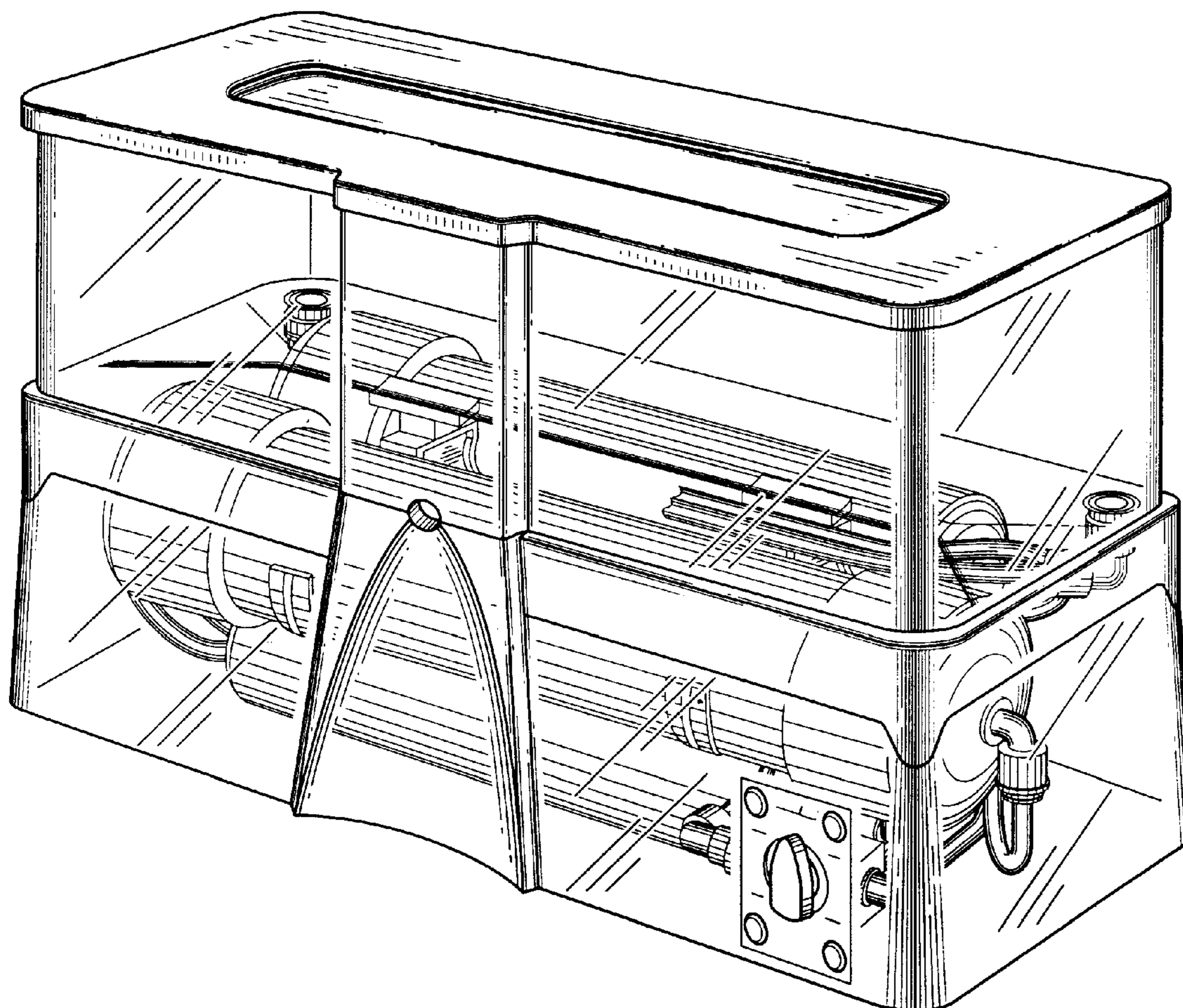
FIG. 4 is a top plan view thereof;

FIG. 5 is a bottom plan view thereof;

FIG. 6 is a left elevational view thereof; and,

FIG. 7 is a right elevational view thereof.

1 Claim, 6 Drawing Sheets



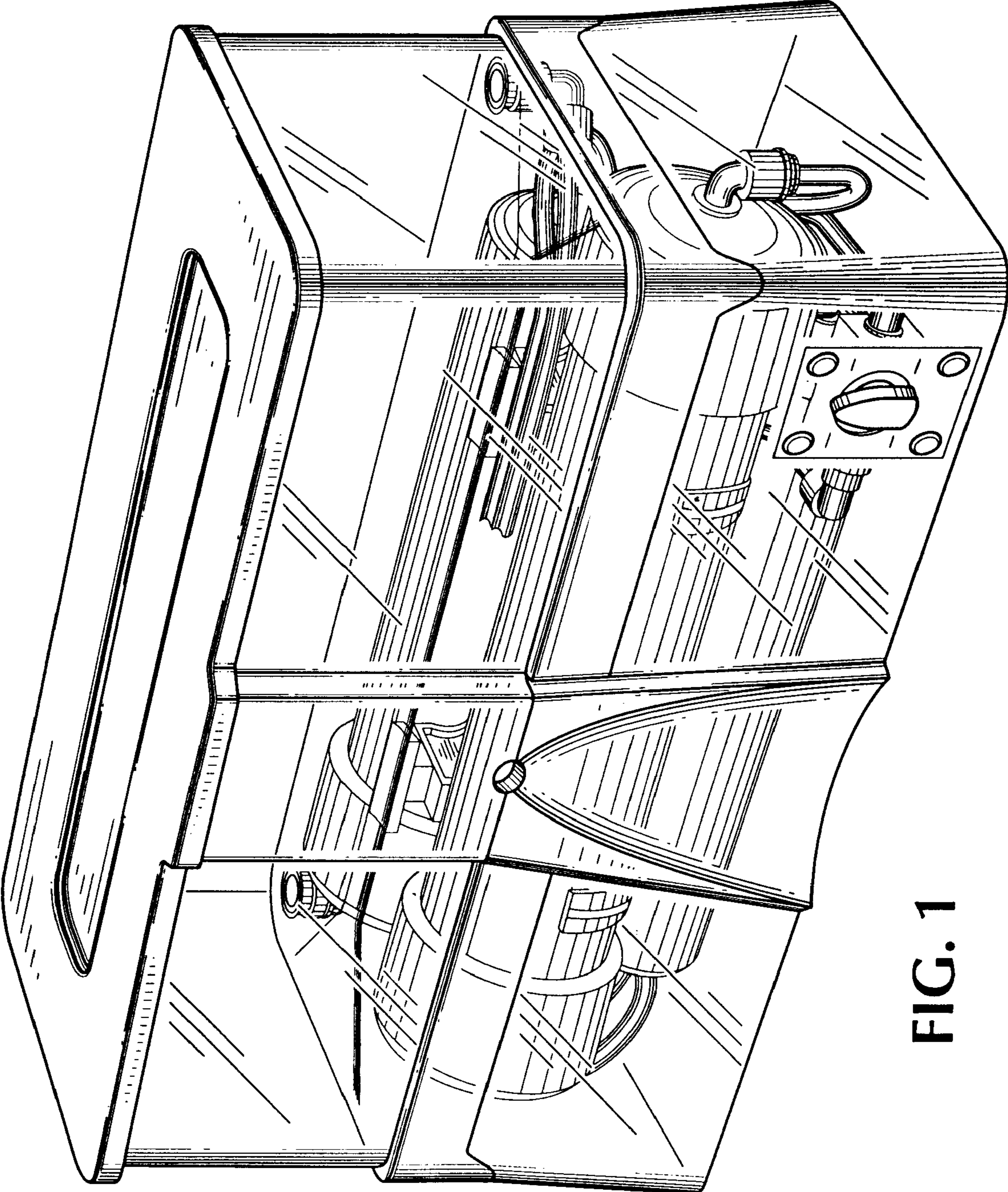


FIG. 1

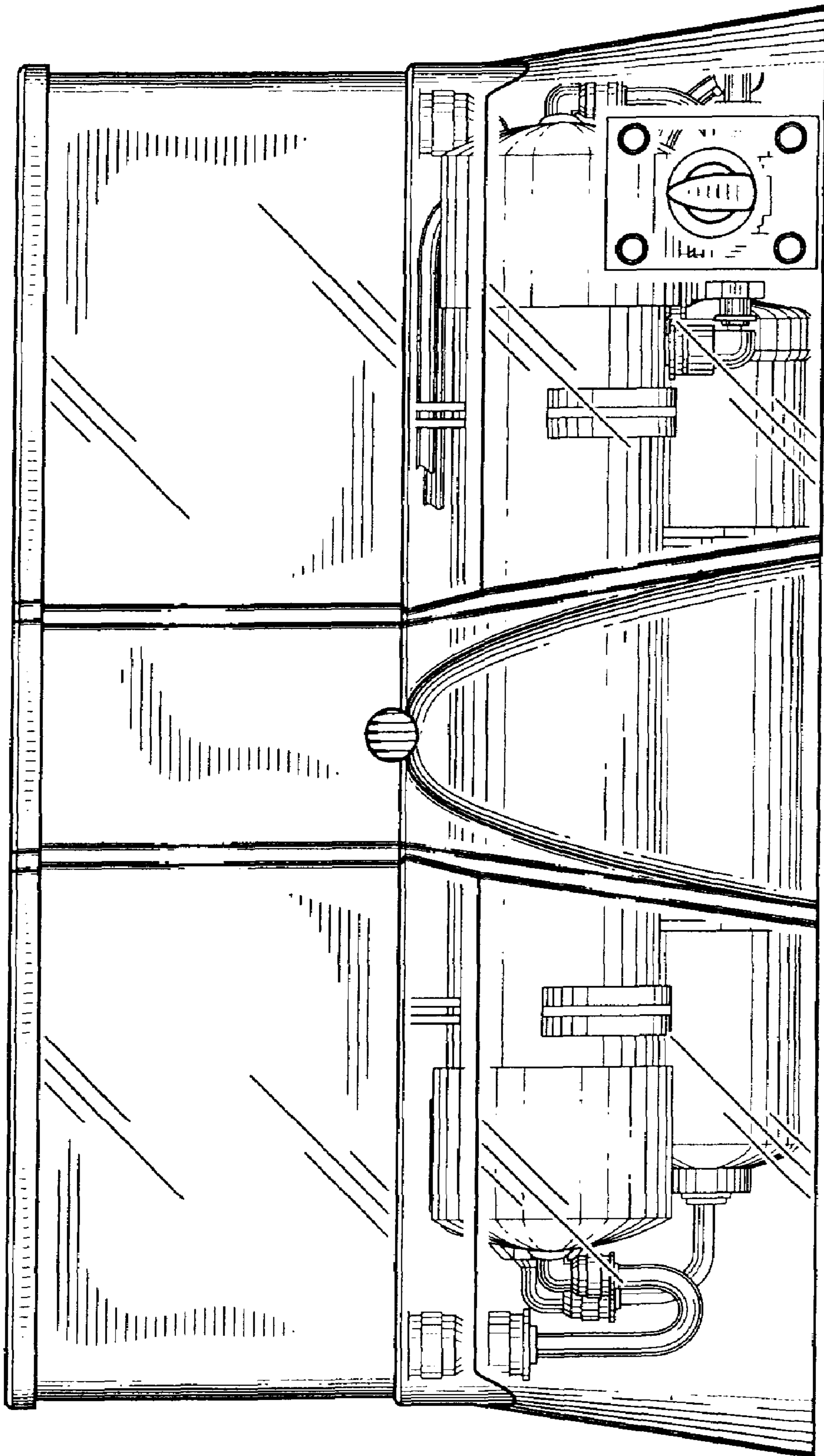


FIG. 2

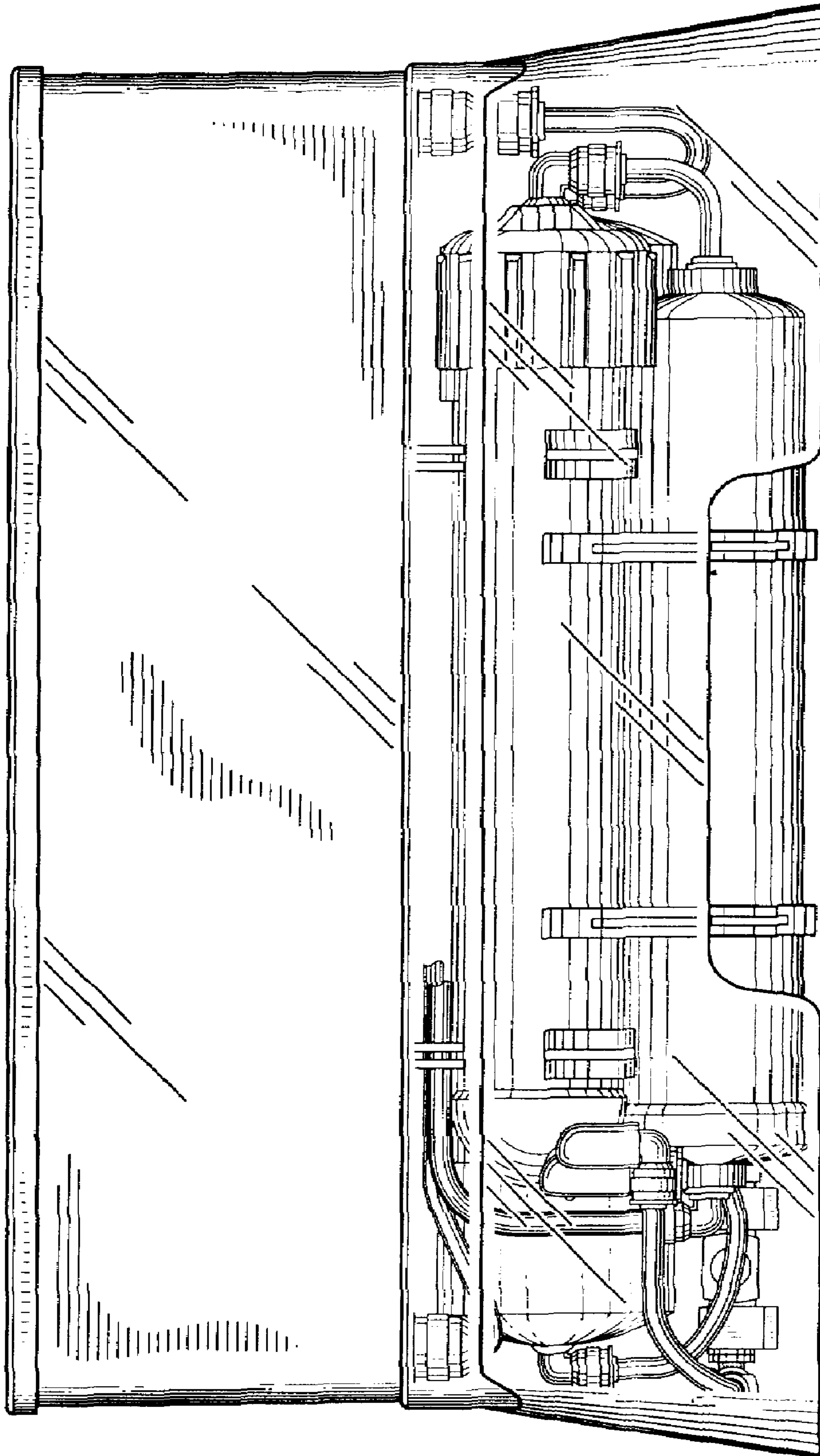


FIG. 3

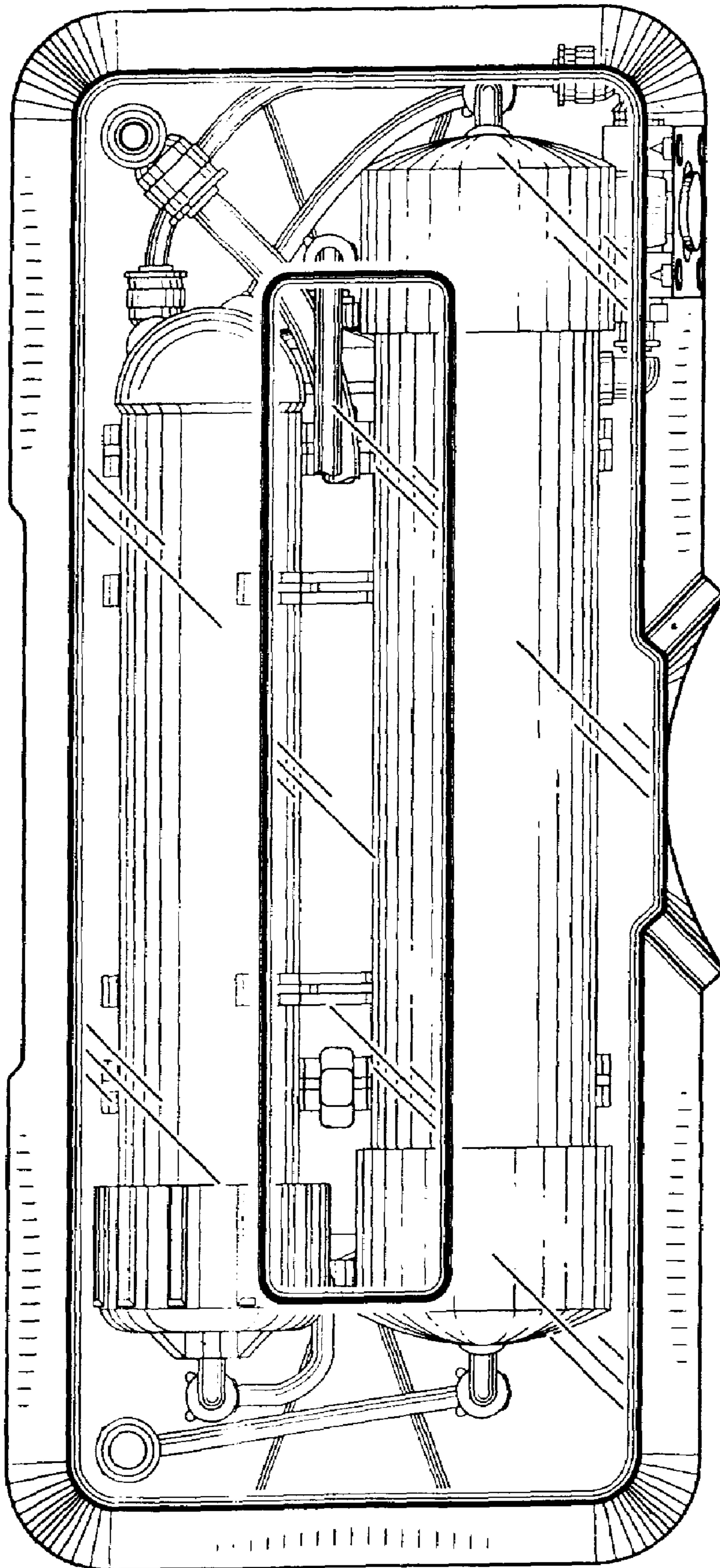


FIG. 4

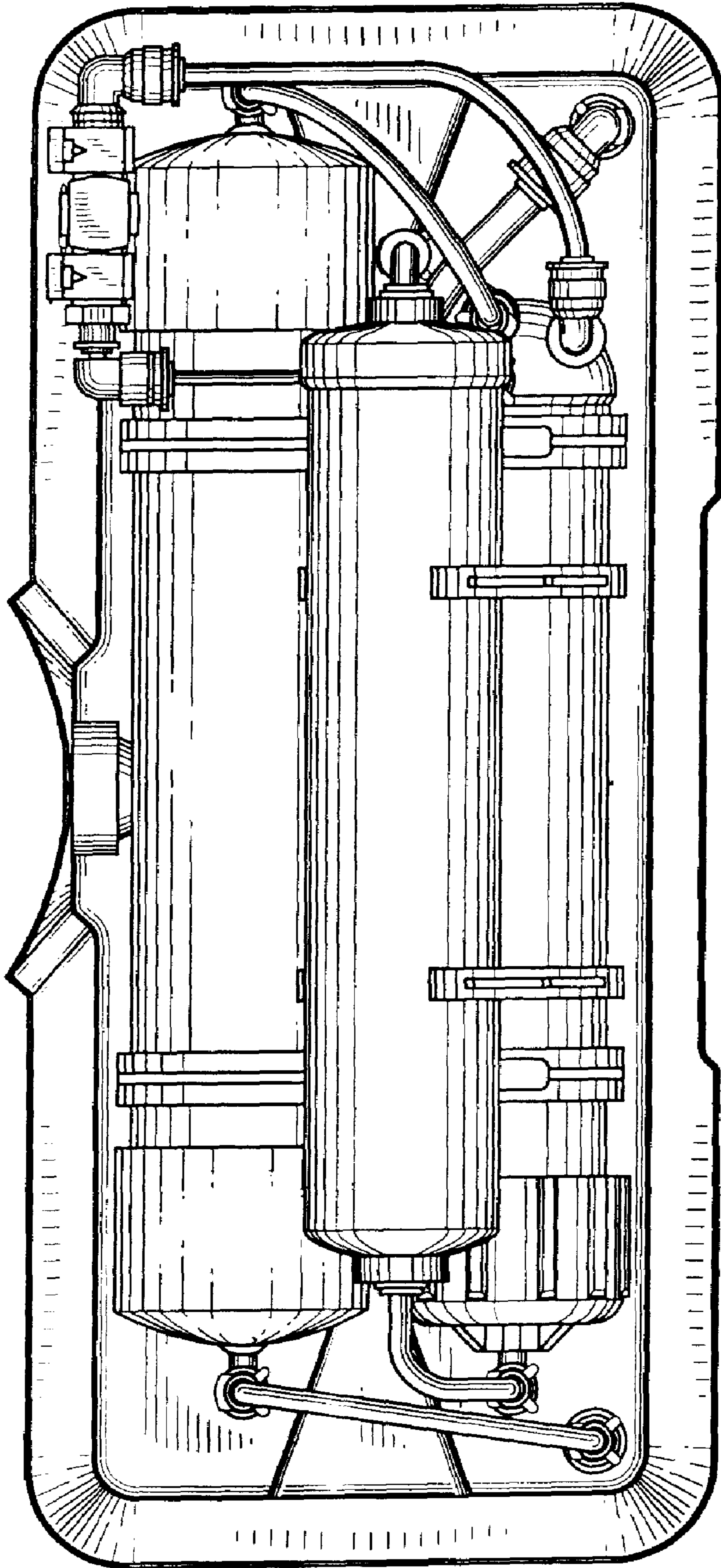


FIG. 5

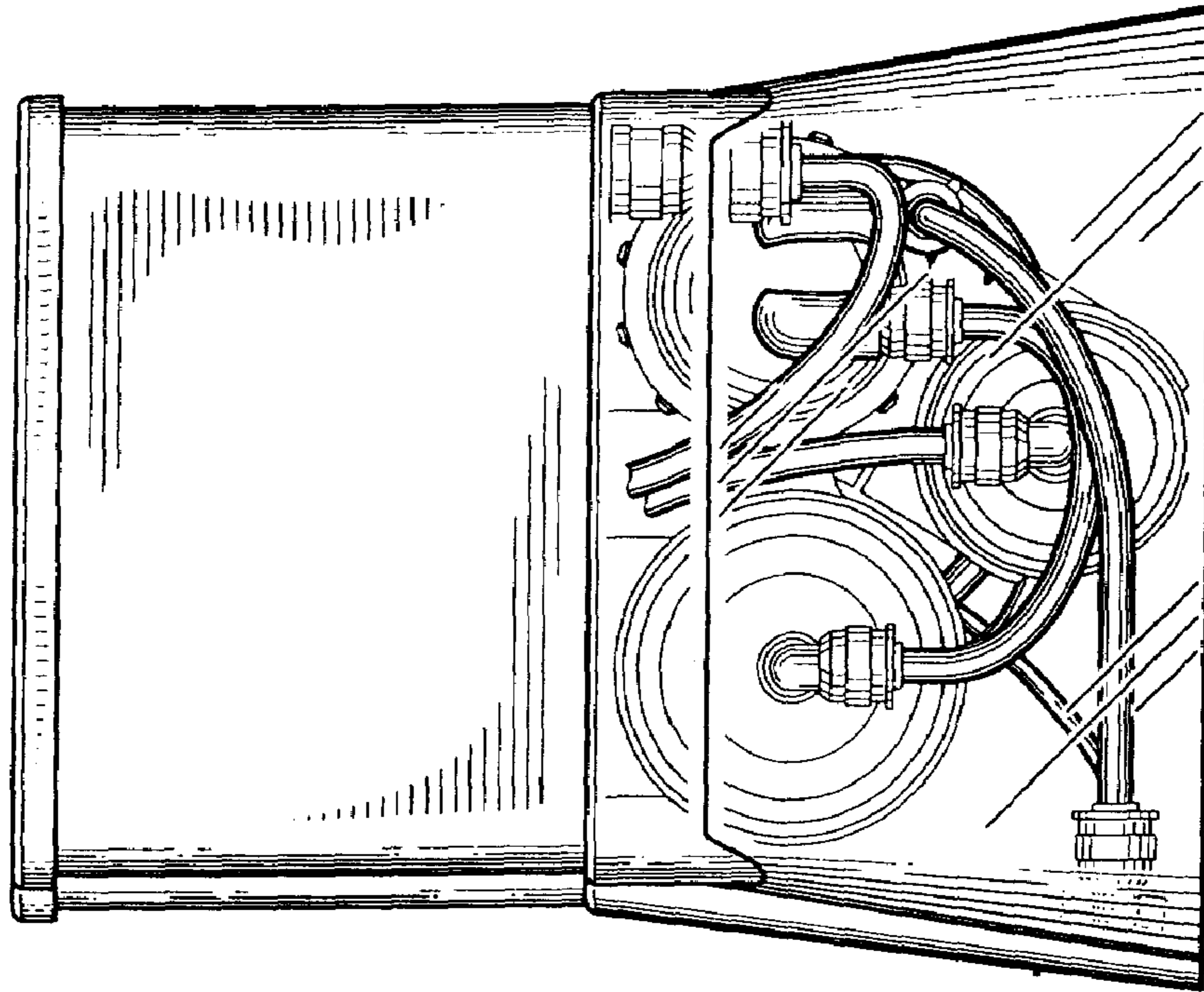


FIG. 7

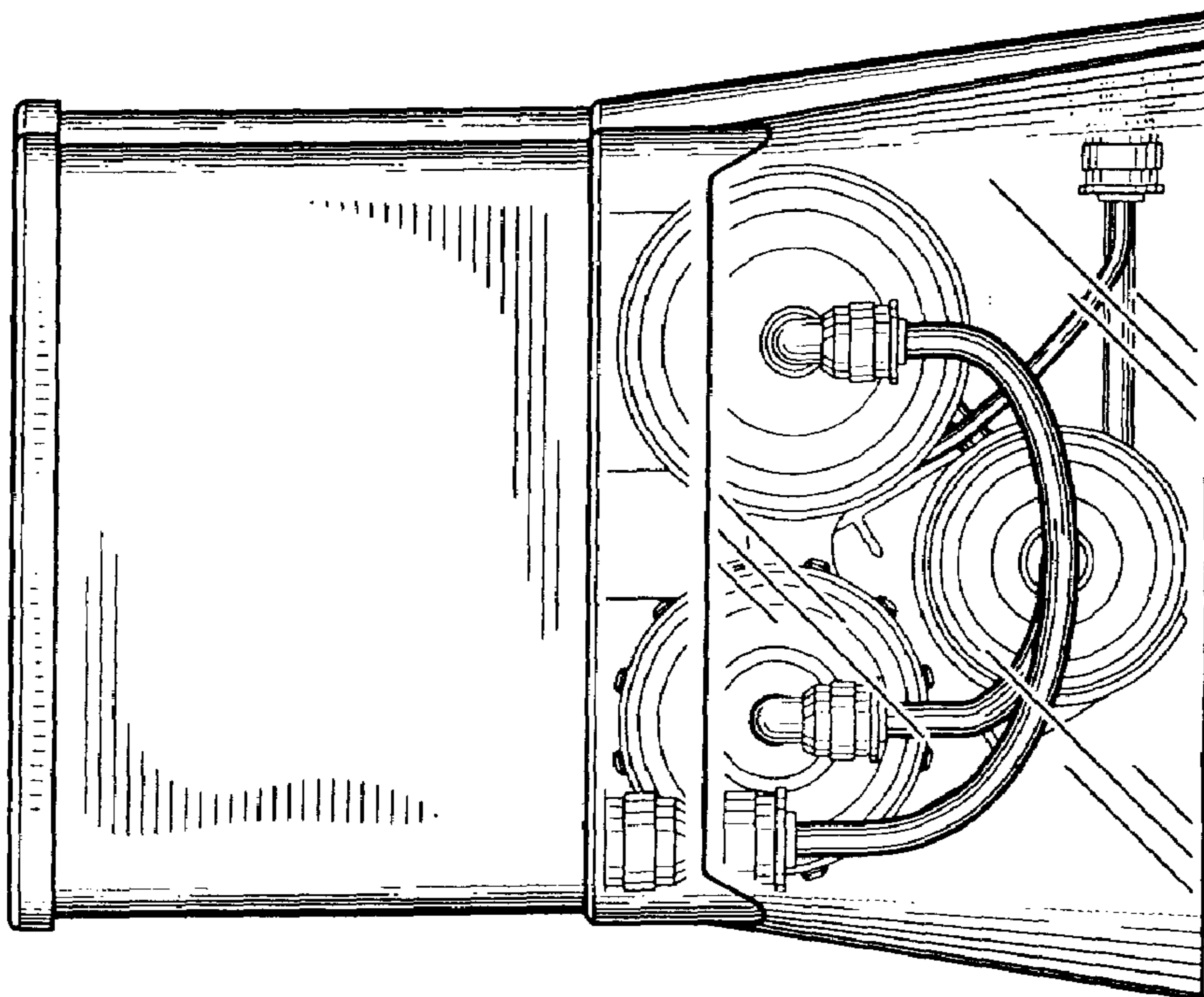


FIG. 6