



US00D551733S

(12) **United States Design Patent**
Peterson

(10) **Patent No.:** **US D551,733 S**

(45) **Date of Patent:** **** Sep. 25, 2007**

(54) **INFLATABLE AQUATIC FLOAT**

(75) Inventor: **Leroy L. Peterson**, Omaha, NE (US)

(73) Assignee: **Sportsstuff, Inc.**, Omaha, NE (US)

(**) Term: **14 Years**

(21) Appl. No.: **29/267,303**

(22) Filed: **Oct. 11, 2006**

(51) **LOC (8) Cl.** **12-02**

(52) **U.S. Cl.** **D21/803**

(58) **Field of Classification Search** D21/769-770,
D21/801, 803, 809; D6/392, 596, 601, 604;
472/128-129; D12/5, 6, 316; 114/253, 345-346;
441/35, 66, 40-42, 129-132
See application file for complete search history.

(56) **References Cited**

U.S. PATENT DOCUMENTS

3,416,169	A *	12/1968	Emery	5/644
D407,776	S *	4/1999	Peterson	D21/803
D435,621	S *	12/2000	Peterson	D21/803
D464,390	S *	10/2002	Hunter	D21/803
D484,940	S *	1/2004	Peterson	D21/803

6,808,457	B1 *	10/2004	Paukert et al.	472/14
D510,400	S *	10/2005	Rockstad et al.	D21/808
D518,134	S *	3/2006	Peterson	D21/770
D518,544	S *	4/2006	Peterson	D21/770
2003/0134549	A1 *	7/2003	Lekhtman	441/129

* cited by examiner

Primary Examiner—Janice E. Seeger

Assistant Examiner—Zenia I. Bennett

(74) *Attorney, Agent, or Firm*—Sturm & Fix LLP

(57) **CLAIM**

The ornamental design for an inflatable aquatic float, as shown and described.

DESCRIPTION

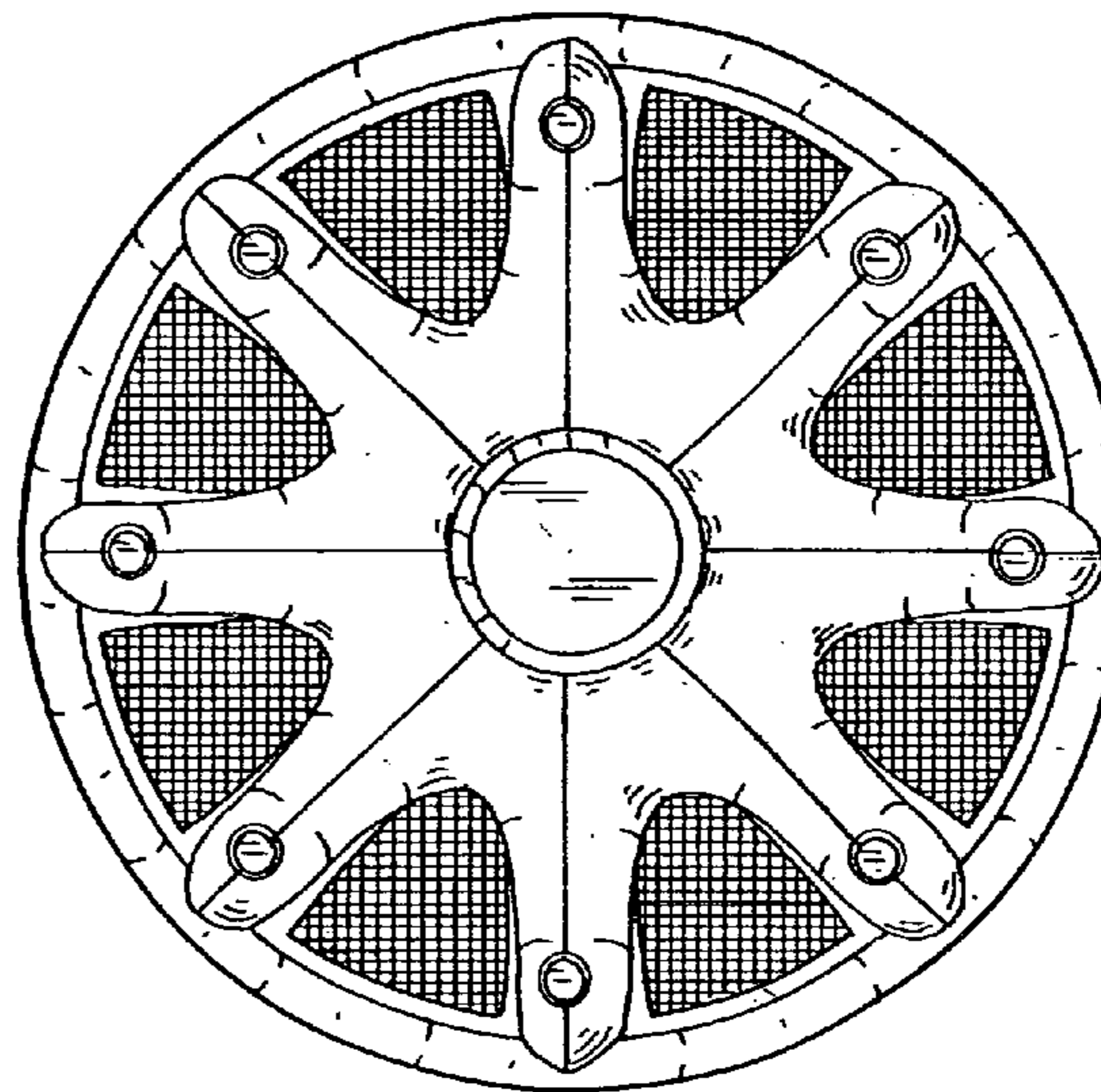
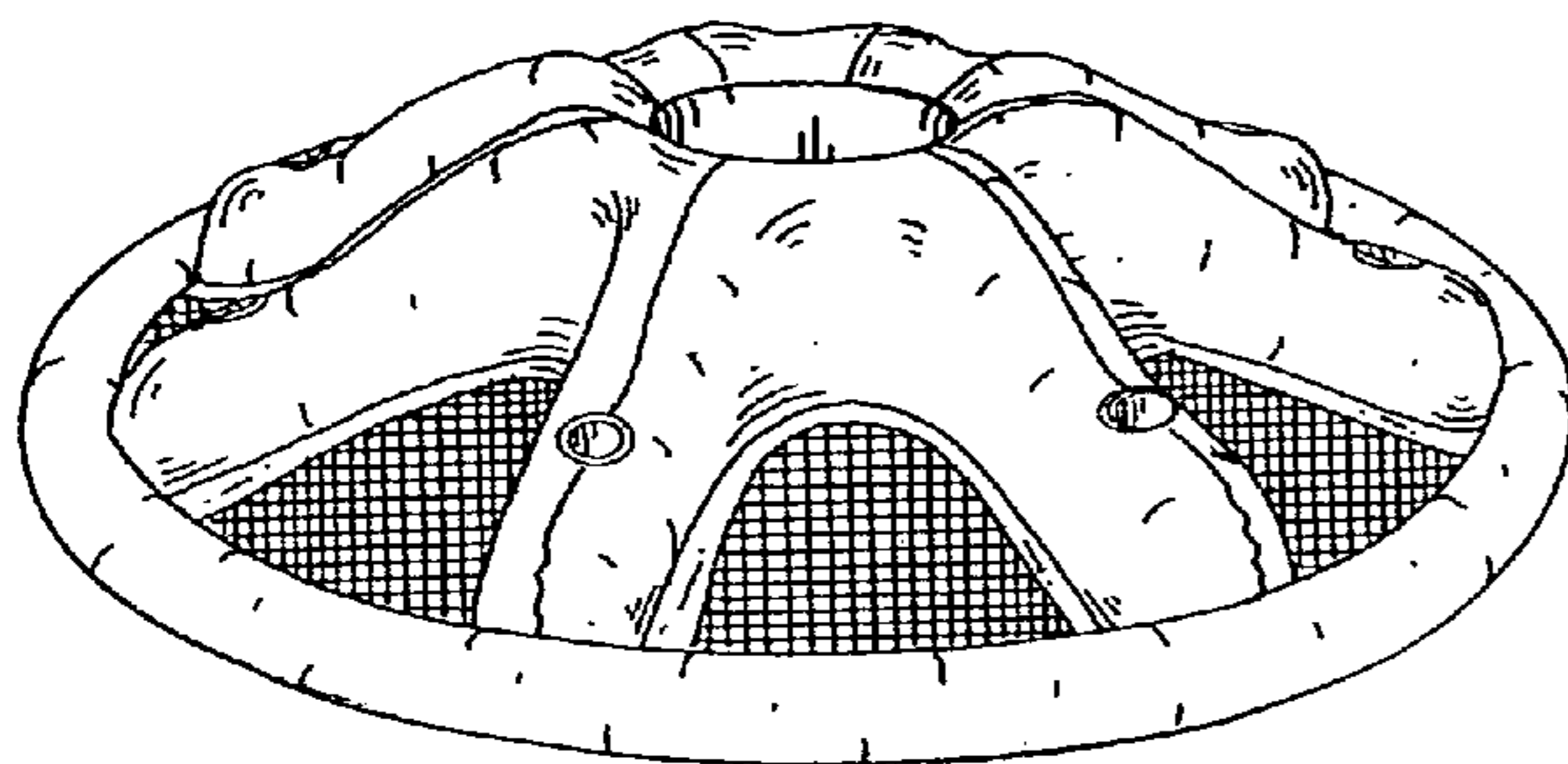
FIG. 1 is a perspective view of the inflatable aquatic float showing my new design;

FIG. 2 is a front elevational view thereof, the rear elevational view, the right side elevational view, and the left side elevational view thereof being identical thereto;

FIG. 3 is a top plan view thereof; and,

FIG. 4 is a bottom plan view thereof.

1 Claim, 1 Drawing Sheet



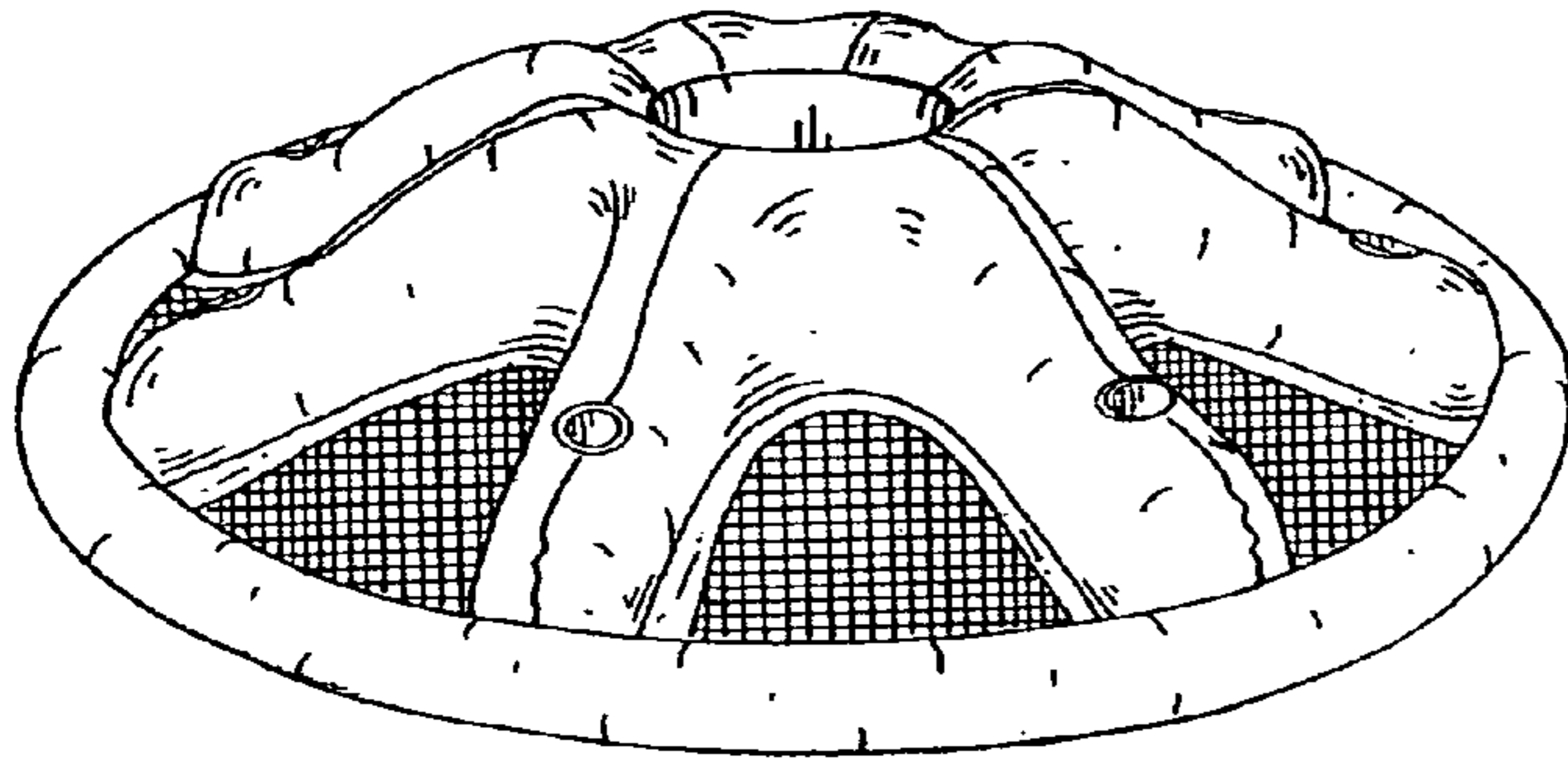


Fig. 1

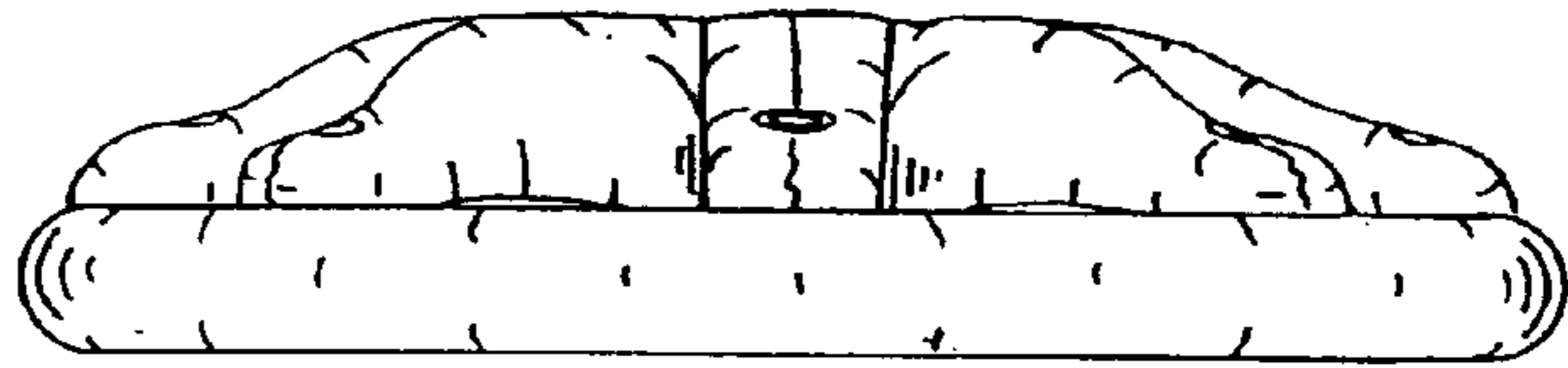


Fig. 2

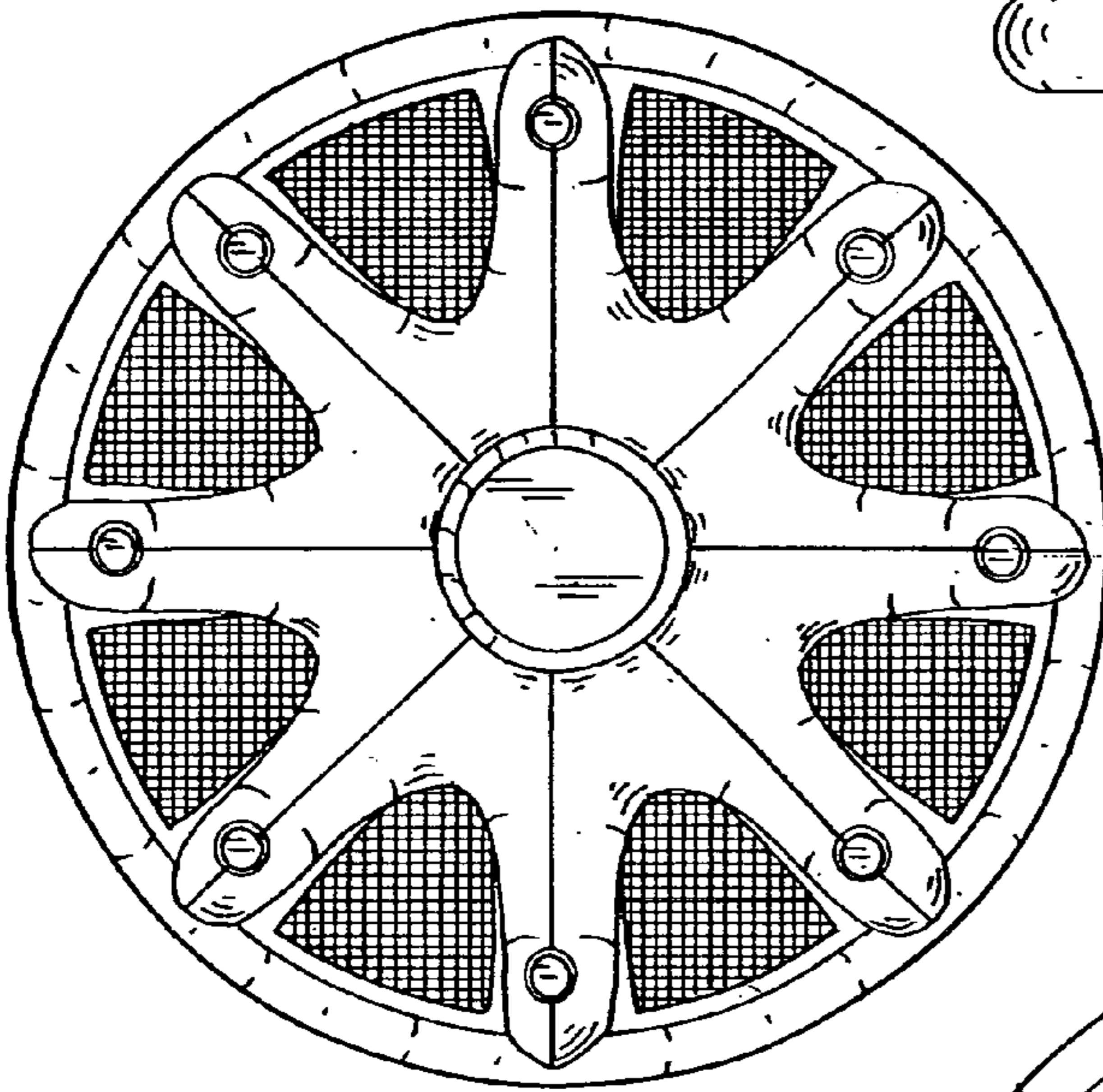


Fig. 3

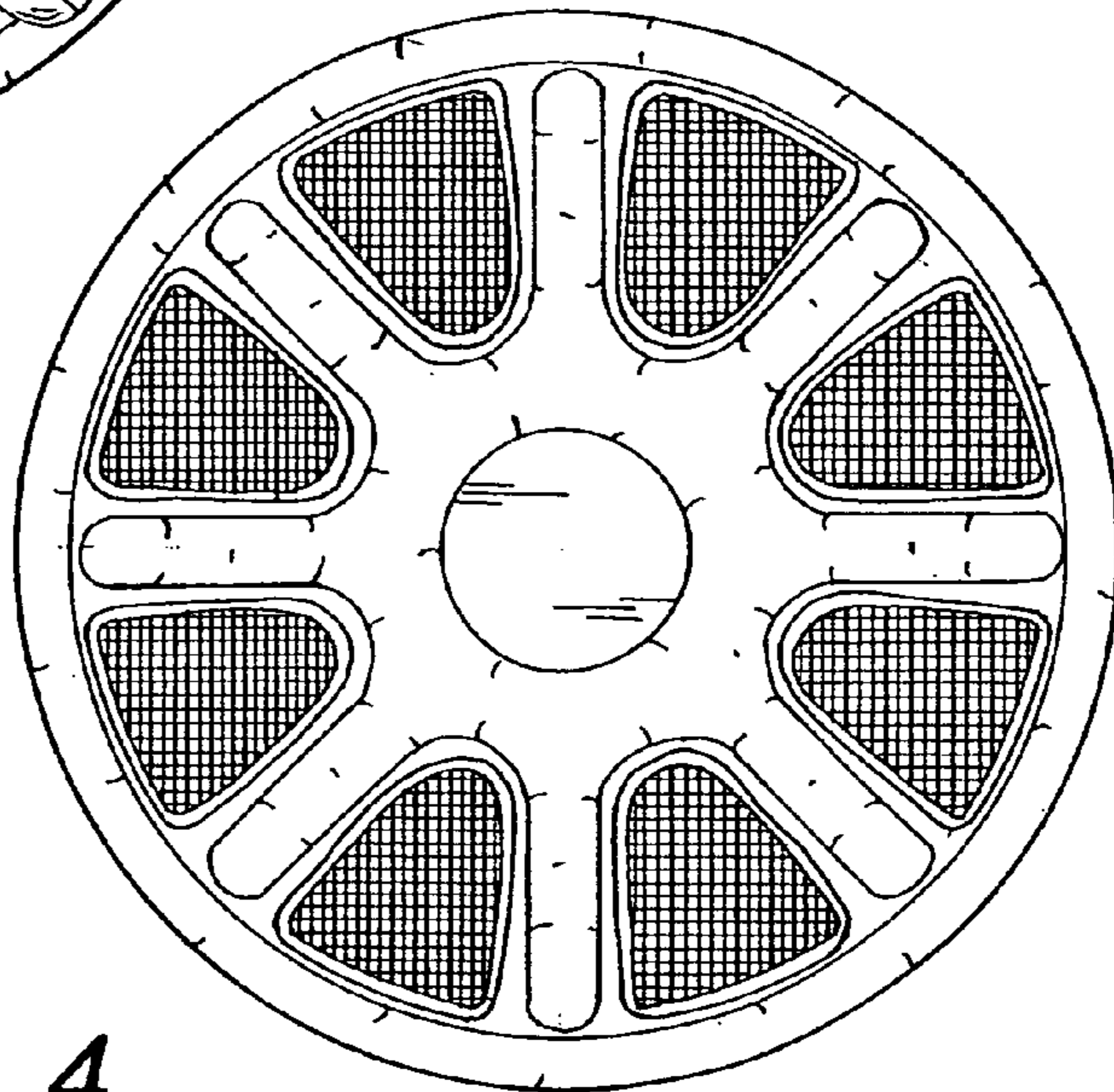


Fig. 4