



US00D551732S

(12) **United States Design Patent**
Peterson

(10) **Patent No.:** **US D551,732 S**

(45) **Date of Patent:** **** Sep. 25, 2007**

(54) **INFLATABLE TOWABLE VEHICLE**

(75) Inventor: **Leroy L. Peterson**, Omaha, NE (US)

(73) Assignee: **Sportsstuff, Inc.**, Omaha, NE (US)

(**) Term: **14 Years**

(21) Appl. No.: **29/267,302**

(22) Filed: **Oct. 11, 2006**

(51) **LOC (8) Cl.** **12-02**

(52) **U.S. Cl.** **D21/803**

(58) **Field of Classification Search** D21/769-770,
D21/801, 803, 809, 597; D6/392, 596, 601,
D6/604; 472/128-129; D12/5, 6, 316; 114/253,
114/345-346; 441/35, 66, 40-42, 129-132
See application file for complete search history.

(56) **References Cited**

U.S. PATENT DOCUMENTS

D385,741 S *	11/1997	Lebenbaum	D6/601
D407,778 S *	4/1999	Peterson	D21/803
D432,199 S *	10/2000	Peterson	D21/803
D465,761 S *	11/2002	Peterson	D12/316
D467,216 S *	12/2002	Peterson	D12/316
D476,185 S *	6/2003	Siegal	D6/601
6,648,707 B1 *	11/2003	Peterson	441/66

D498,281 S *	11/2004	Peterson	D21/769
D500,826 S *	1/2005	Peterson	D21/769
D500,827 S *	1/2005	Peterson	D21/769
D501,238 S *	1/2005	Peterson	D21/769
D505,987 S *	6/2005	Peterson	D21/770

* cited by examiner

Primary Examiner—Janice E. Seeger

Assistant Examiner—Zenia I. Bennett

(74) *Attorney, Agent, or Firm*—Sturm & Fix LLP

(57) **CLAIM**

The ornamental design for an inflatable towable vehicle, as shown and described.

DESCRIPTION

FIG. 1 is a perspective view of the inflatable towable vehicle showing my new design;

FIG. 2 is a right side elevational view thereof, the left side elevational view being a mirror image thereof;

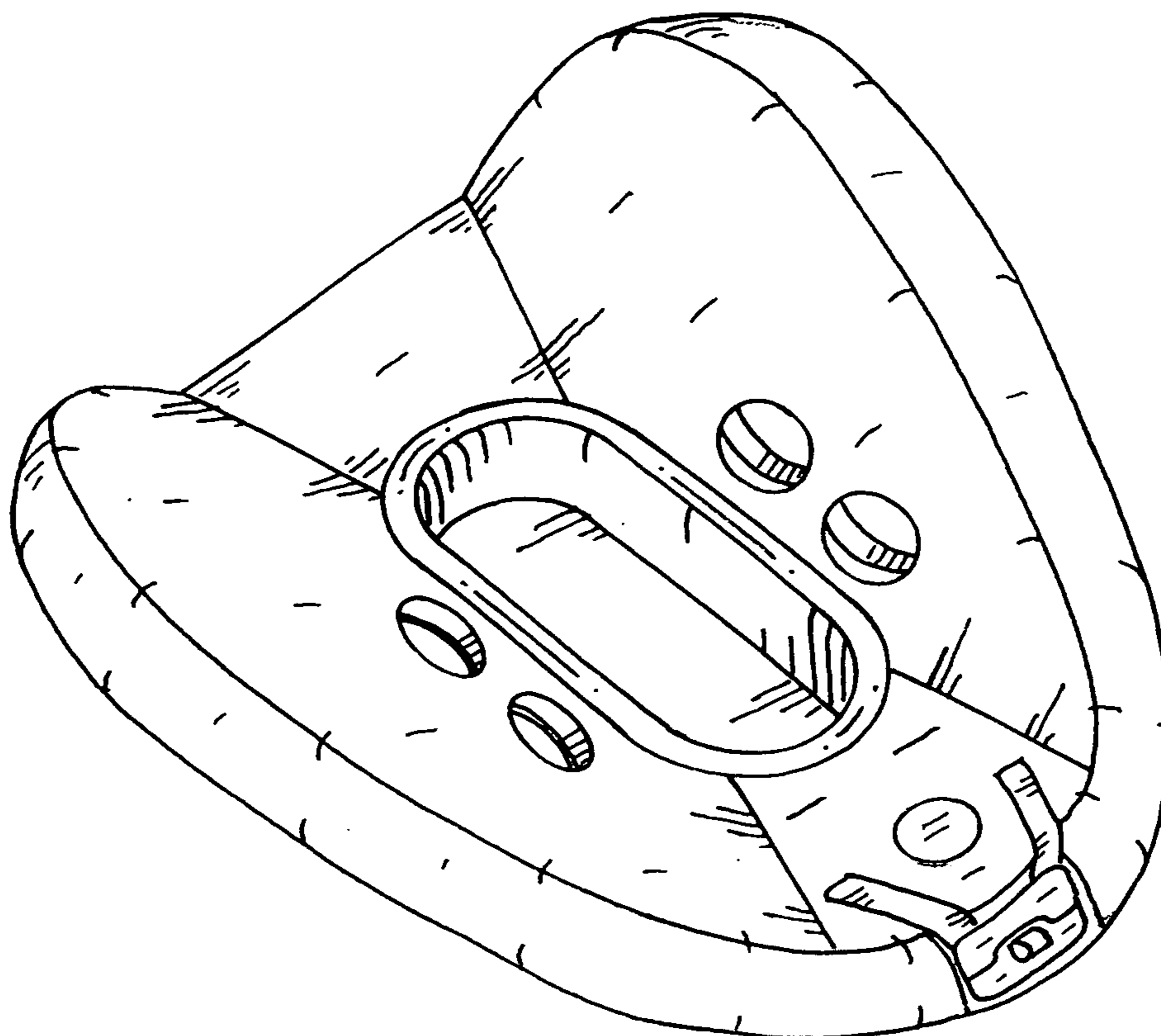
FIG. 3 is a front elevational view thereof;

FIG. 4 is a rear elevational view thereof;

FIG. 5 is a top plan view thereof; and,

FIG. 6 is a bottom plan view thereof.

1 Claim, 3 Drawing Sheets



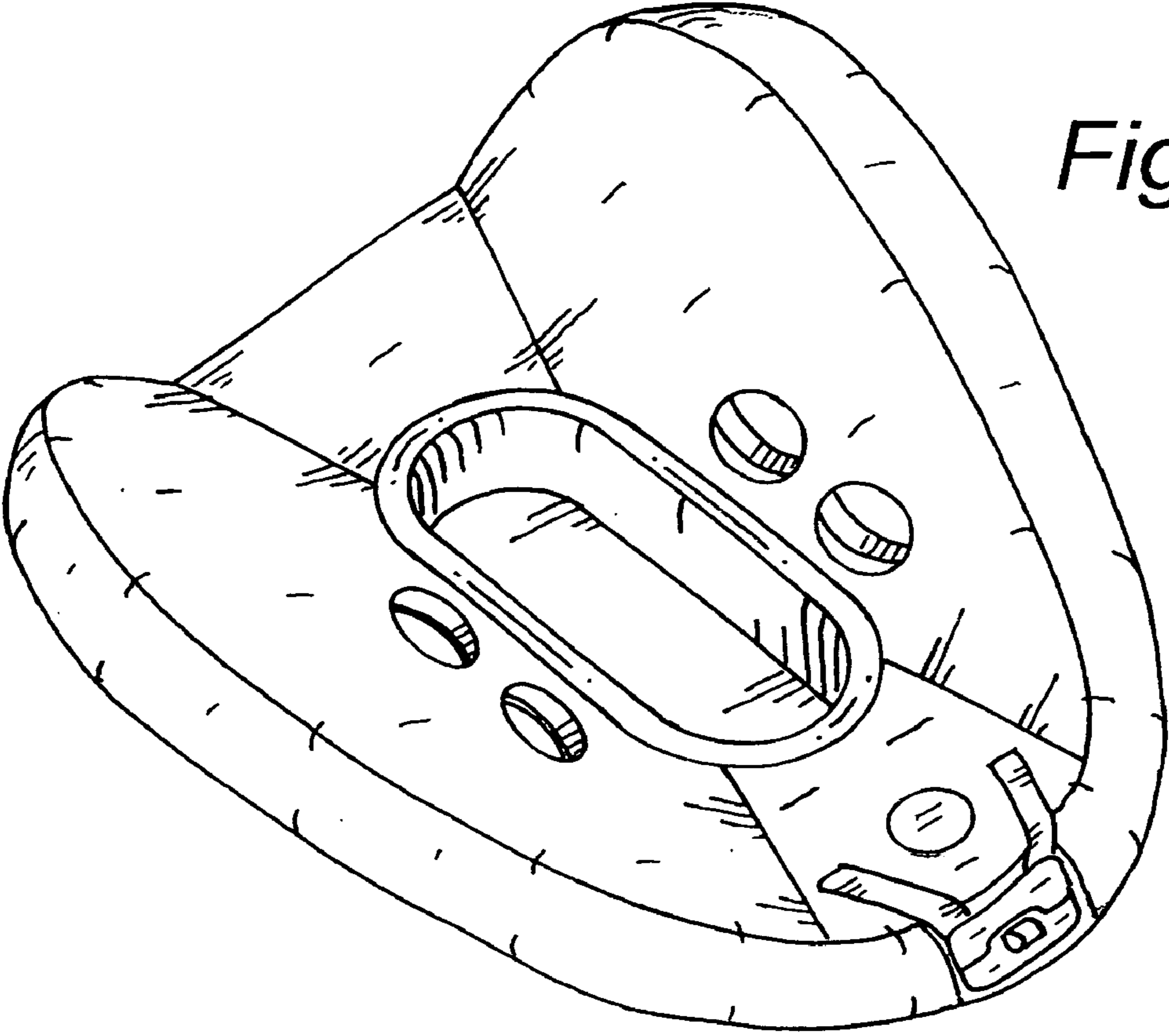


Fig. 1

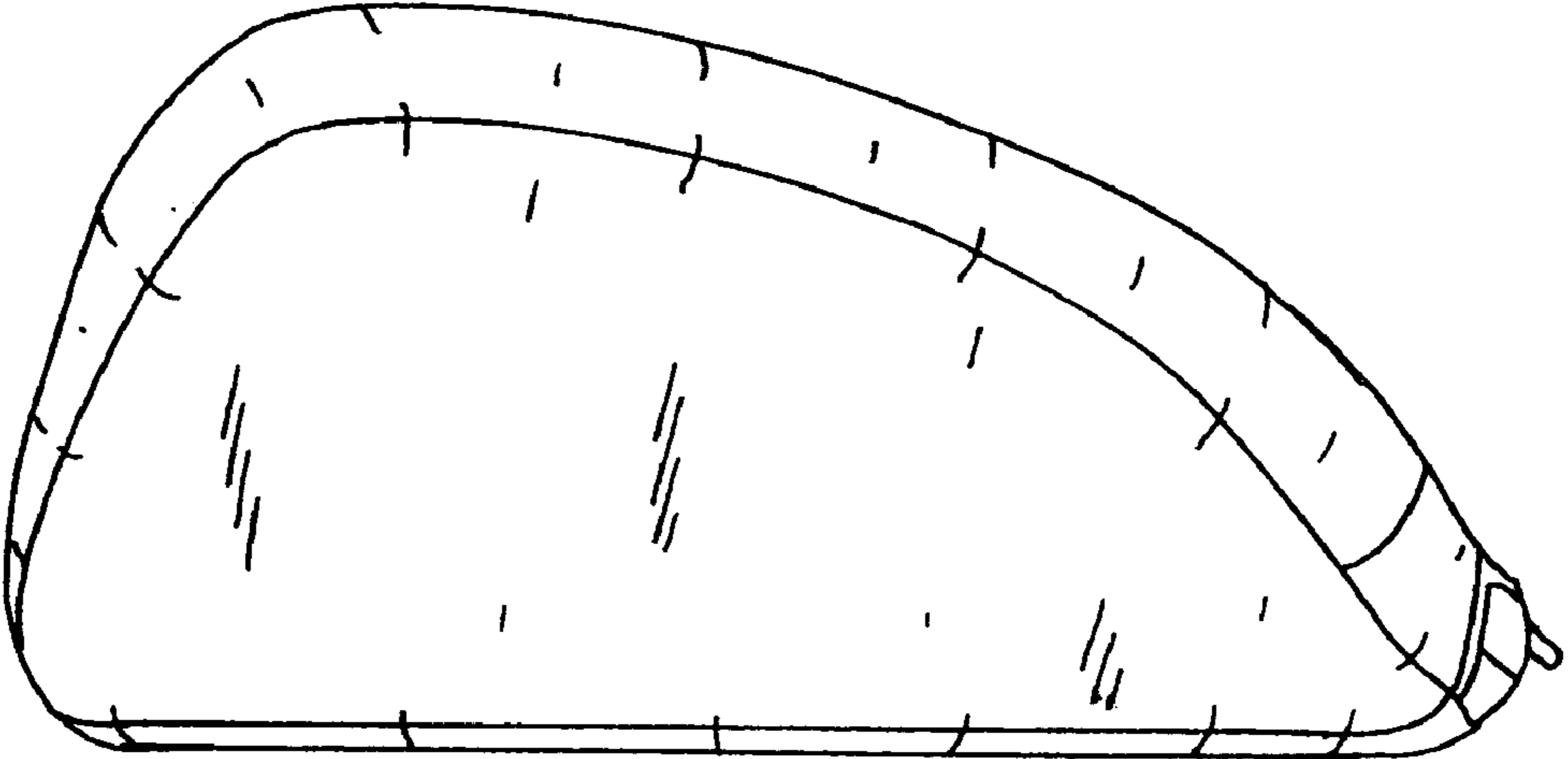


Fig. 2

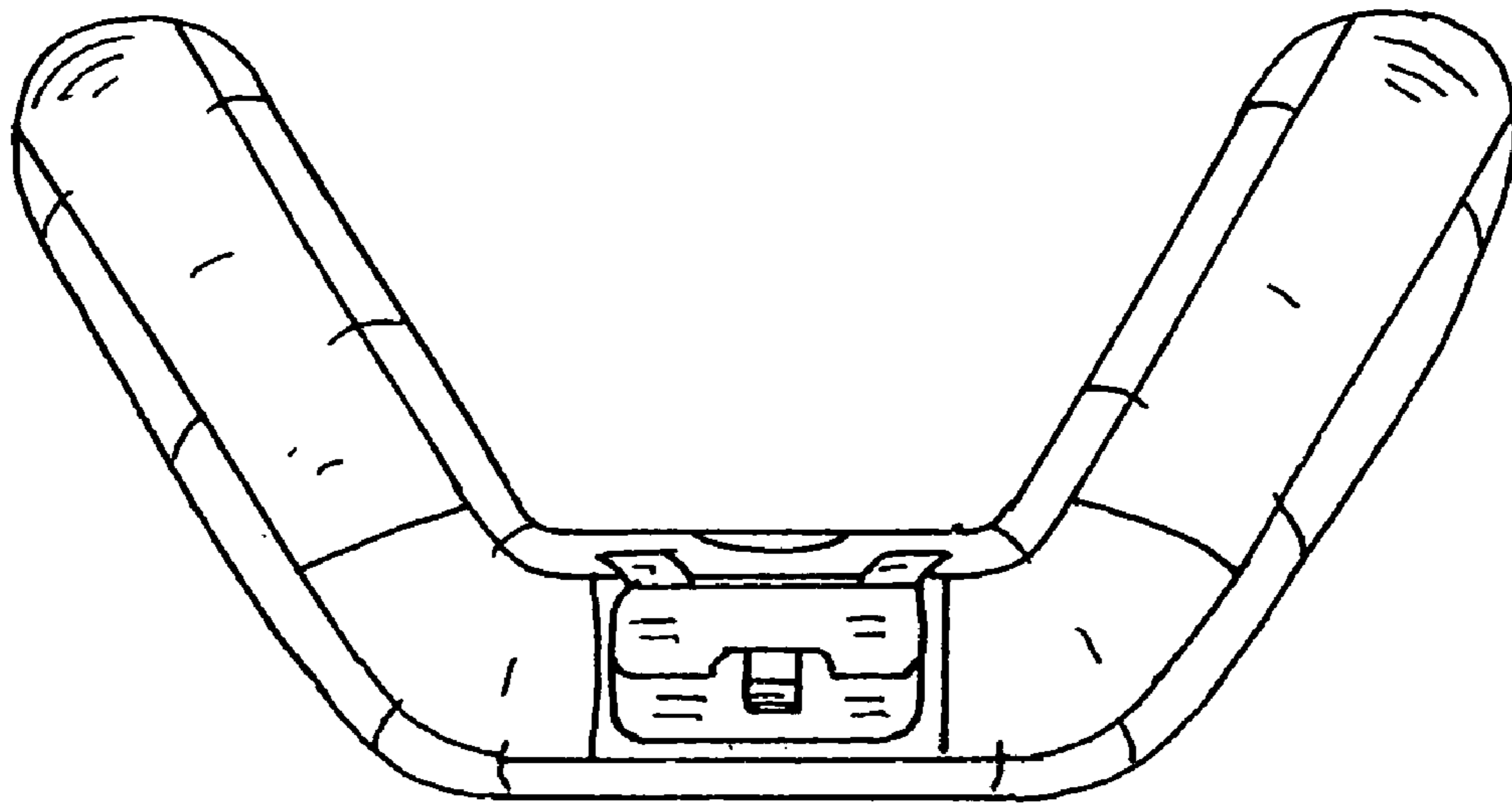


Fig. 3

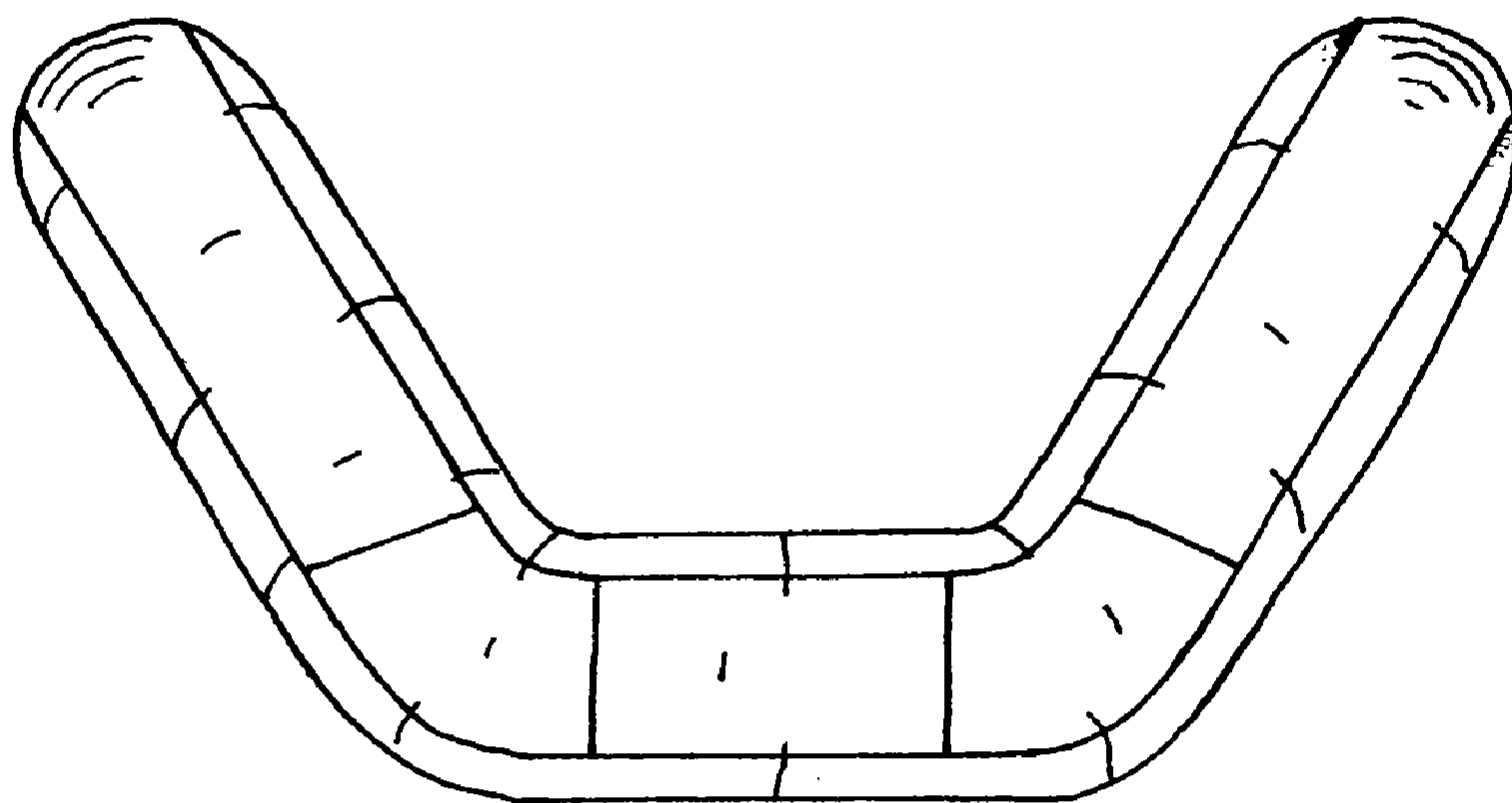


Fig. 4

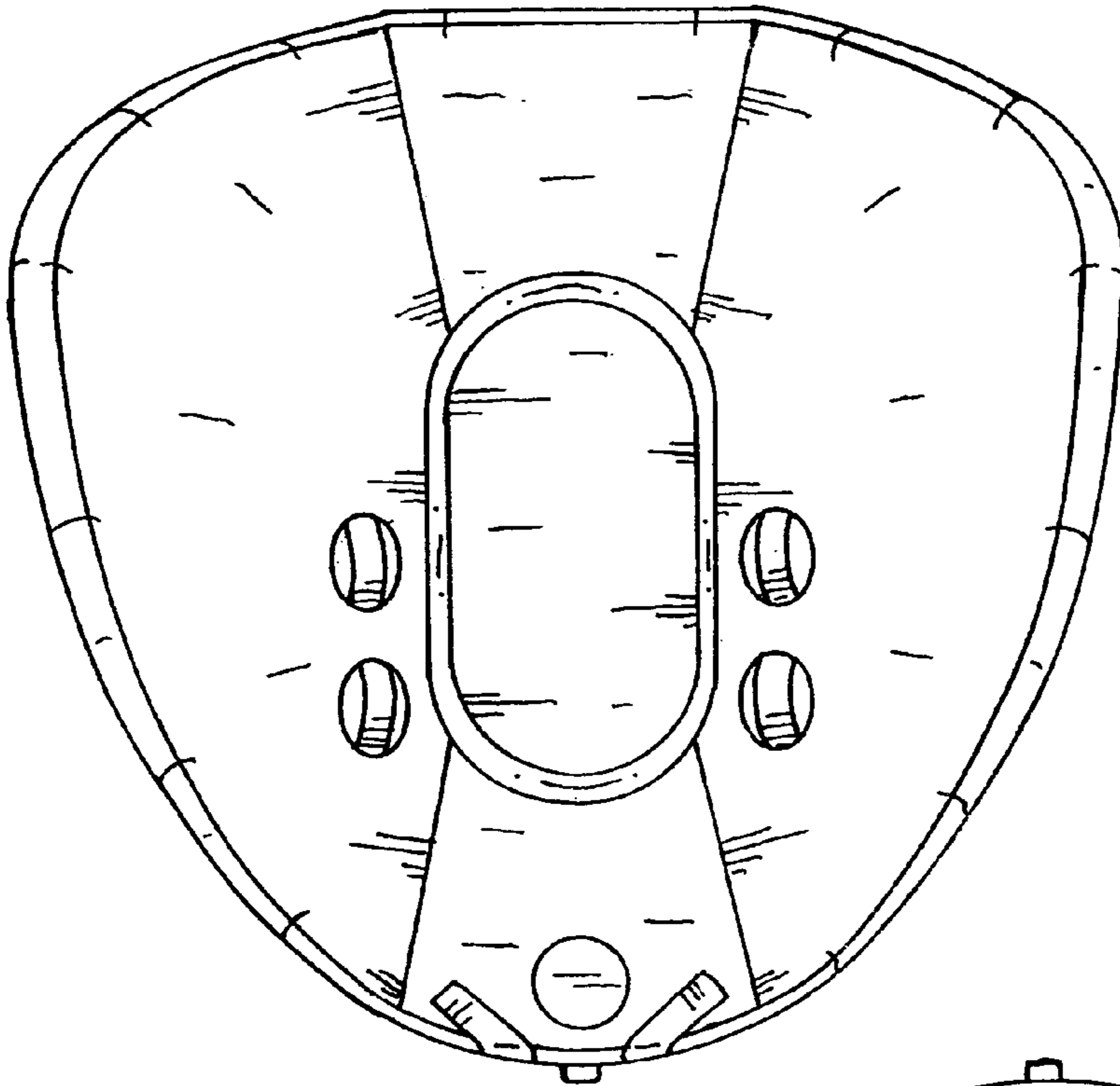


Fig. 5

Fig. 6

