



US00D551728S

(12) **United States Design Patent** (10) **Patent No.:** **US D551,728 S**  
**Niwa** (45) **Date of Patent:** **\*\* Sep. 25, 2007**

(54) **GOLF CLUB**

(75) Inventor: **Katsumi Niwa**, Nagoya (JP)

(73) Assignee: **Yugenkaisha Kotobukinihachi**,  
Nagoya-shi, Aichi-ken (JP)

(\*\*) Term: **14 Years**

(21) Appl. No.: **29/264,241**

(22) Filed: **Aug. 7, 2006**

(30) **Foreign Application Priority Data**

Feb. 7, 2006 (JP) ..... 2006-002703

(51) **LOC (8) Cl.** ..... **21-02**

(52) **U.S. Cl.** ..... **D21/759**

(58) **Field of Classification Search** ..... D21/736-746,  
D21/759; 473/324-331, 251-256, 340, 341  
See application file for complete search history.

(56) **References Cited**

**U.S. PATENT DOCUMENTS**

D207,538 S *	5/1967	Burkland	.....	D21/738
D207,539 S *	5/1967	Burkland	.....	D21/738
3,399,898 A *	9/1968	Burkland	.....	473/340
D223,766 S *	6/1972	Houghtaling	.....	D21/740
D226,107 S *	1/1973	Indovina	.....	D21/738
D234,524 S *	3/1975	Leander	.....	D21/738
D245,721 S *	9/1977	Koch	.....	D21/738
D255,592 S *	6/1980	Krysakowski	.....	D21/738
D341,642 S *	11/1993	Brown et al.	.....	D21/738
D355,233 S *	2/1995	Burdick	.....	D21/738
D434,819 S *	12/2000	Hoare	.....	D21/736
D440,267 S *	4/2001	Stancin	.....	D21/736

\* cited by examiner

*Primary Examiner*—Mitchell Siegel

(74) *Attorney, Agent, or Firm*—Davis Bujold & Daniels, P.L.L.C.

(57) **CLAIM**

I claim the ornamental design for a golf club, as shown and described.

**DESCRIPTION**

FIG. 1 is a front view of a golf club embodying my new design;

FIG. 2 is a right side elevational view of FIG. 1;

FIG. 3 is a rear elevational view of FIG. 1;

FIG. 4 is a left side elevational view of FIG. 1;

FIG. 5 is a top plan view of FIG. 1;

FIG. 6 is a bottom plan view of FIG. 1;

FIG. 7 is a front view of a second embodiment for a golf club, embodying my new design;

FIG. 8 is a right side elevational view of FIG. 7;

FIG. 9 is a rear elevational view of FIG. 7;

FIG. 10 is a left side elevational view of FIG. 7;

FIG. 11 is a top plan view of FIG. 7;

FIG. 12 is a bottom plan view of FIG. 7;

FIG. 13 is a front view of a third embodiment for a golf club, embodying my new design;

FIG. 14 is a right side elevational view of FIG. 13;

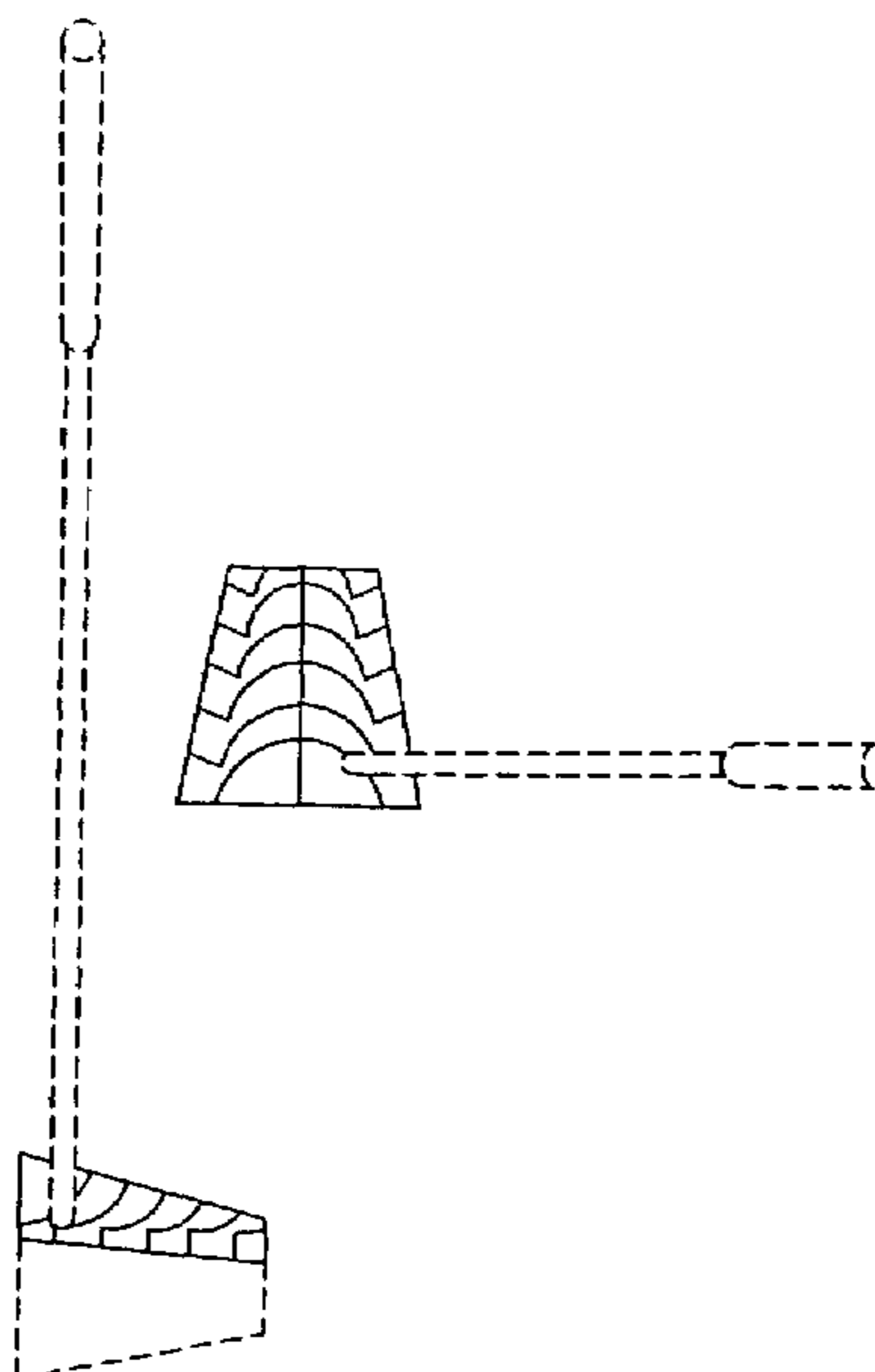
FIG. 15 is a rear elevational view of FIG. 13;

FIG. 16 is a left side elevational view of FIG. 13;

FIG. 17 is a top plan view of FIG. 13; and,

FIG. 18 is a bottom plan view of FIG. 13.

**1 Claim, 3 Drawing Sheets**



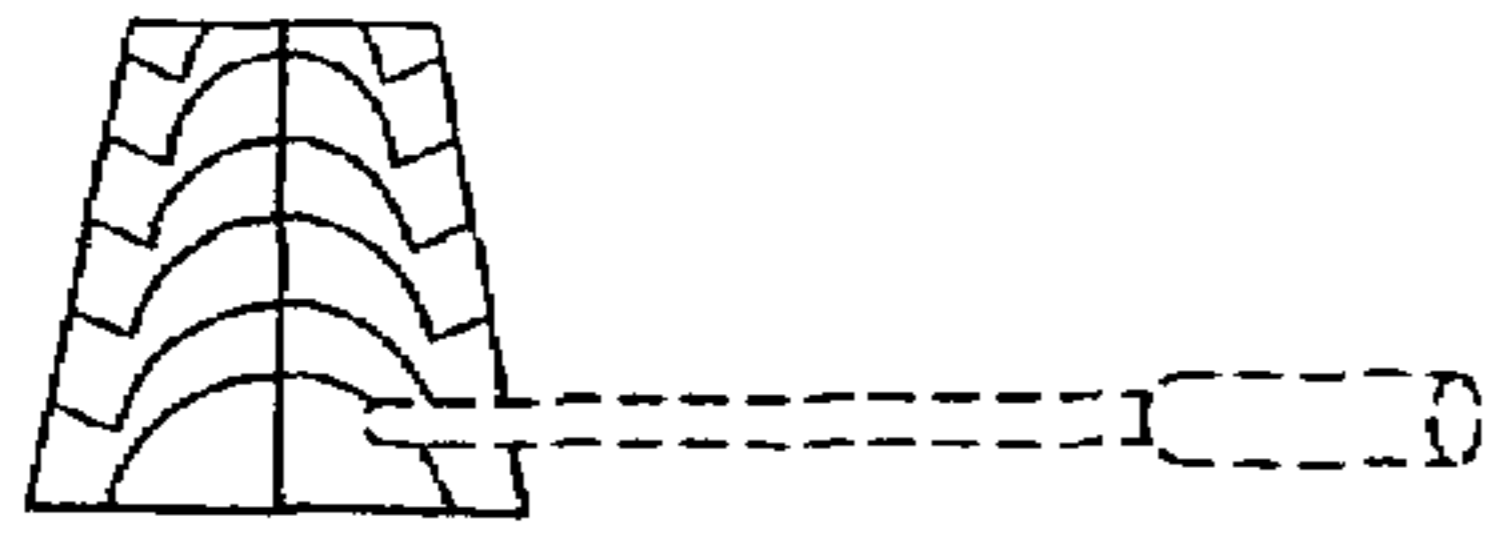


FIG. 5

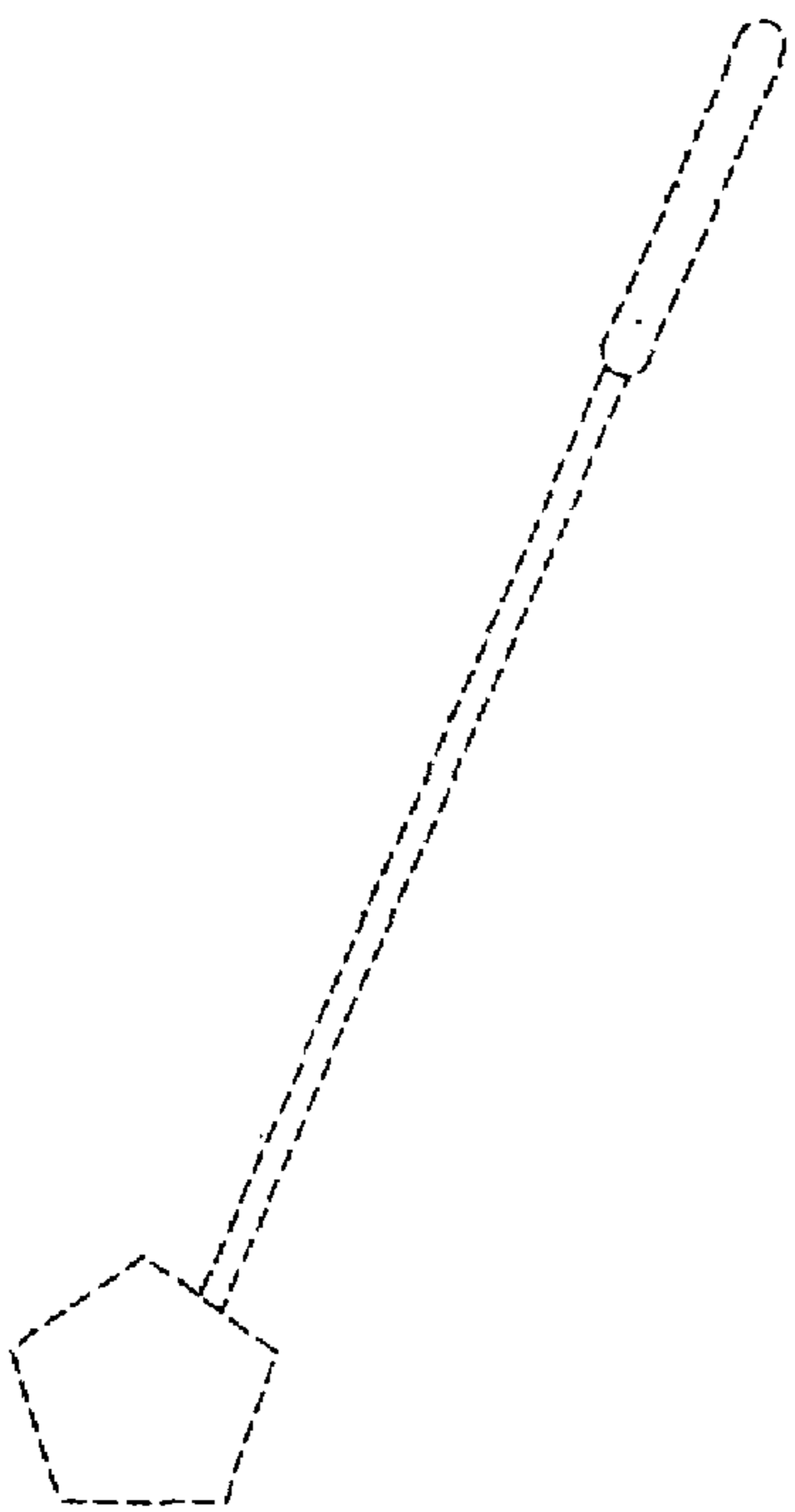


FIG. 1

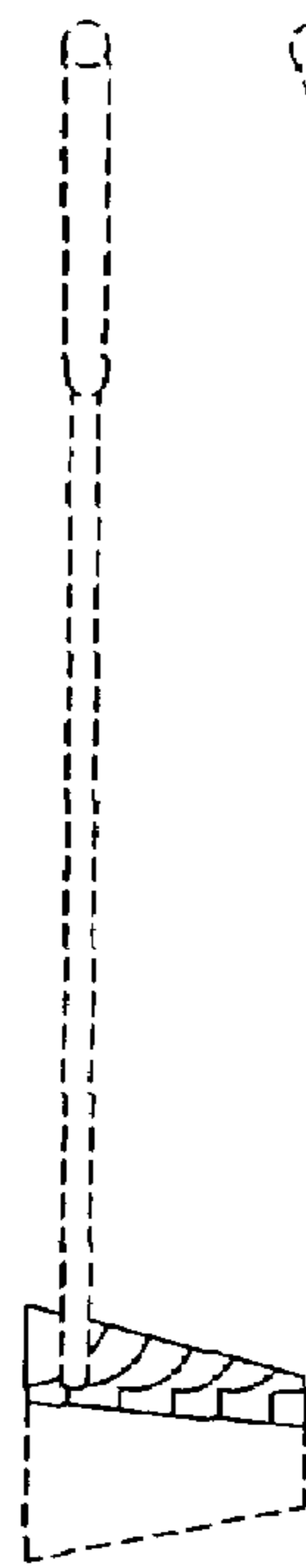


FIG. 2

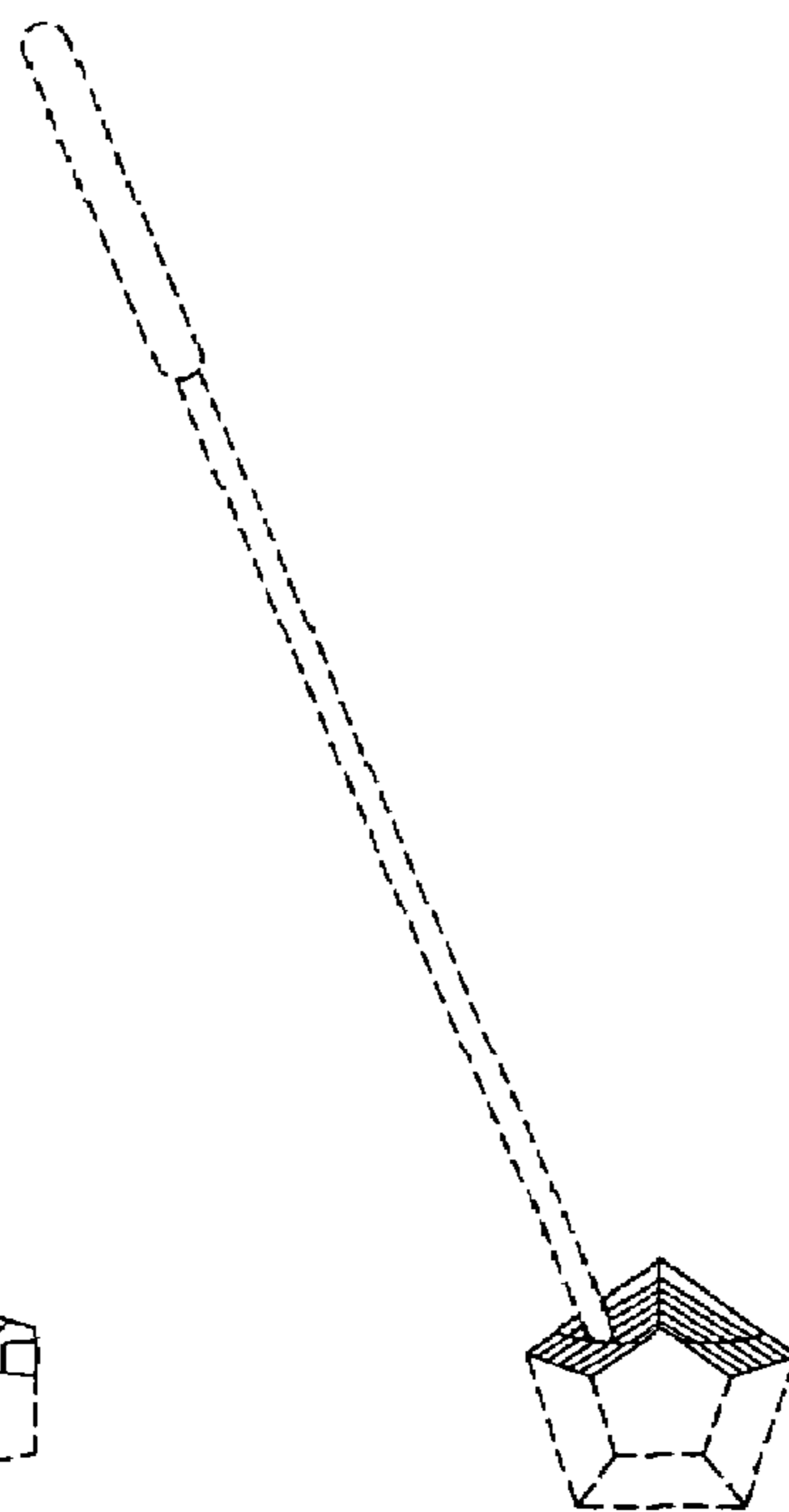


FIG. 3

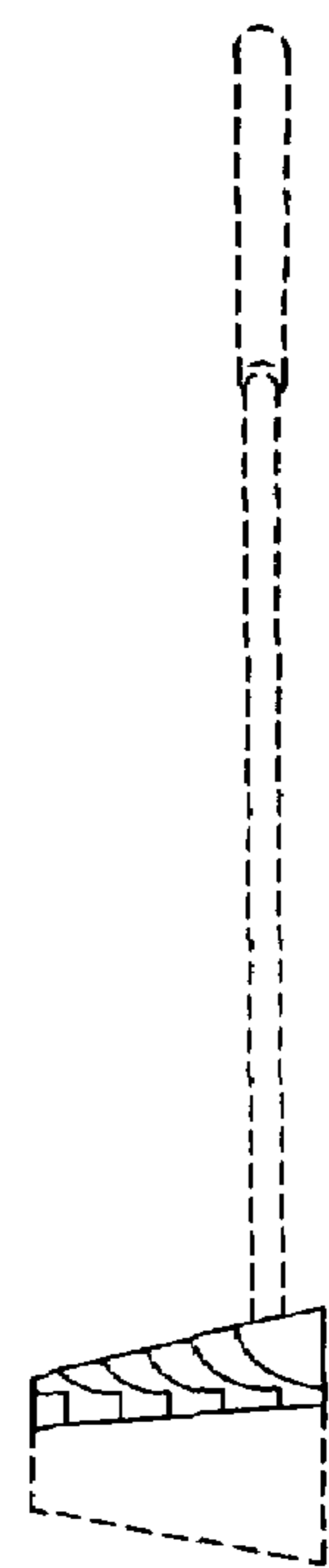


FIG. 4

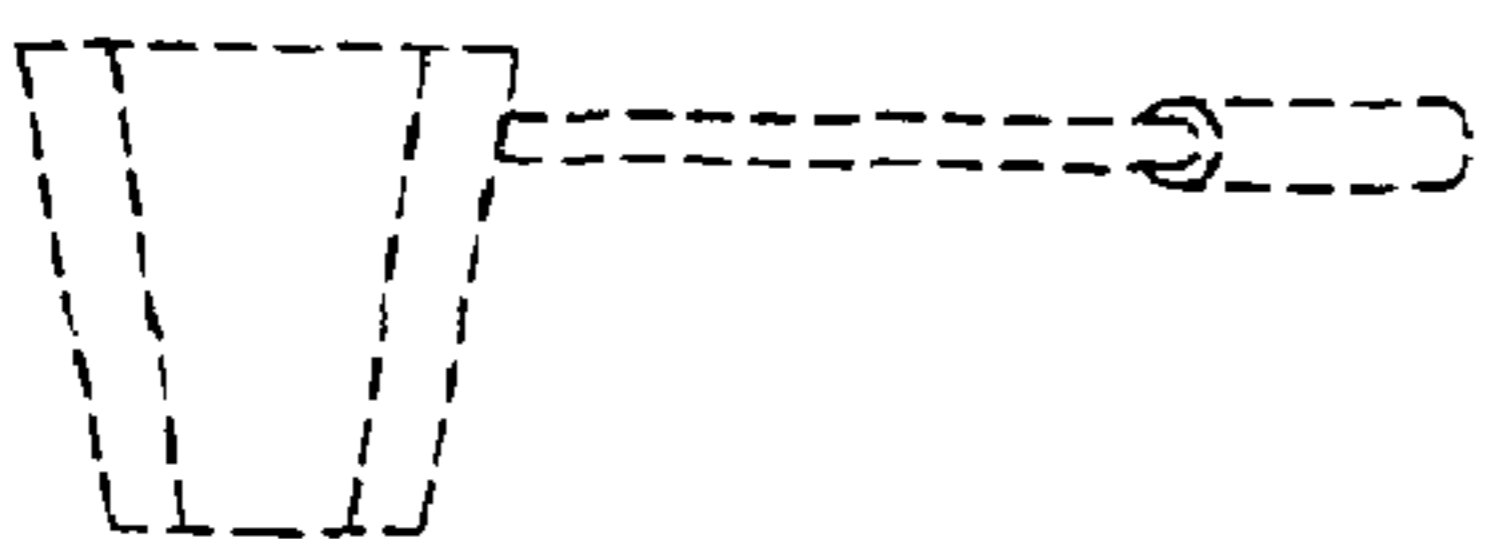


FIG. 6

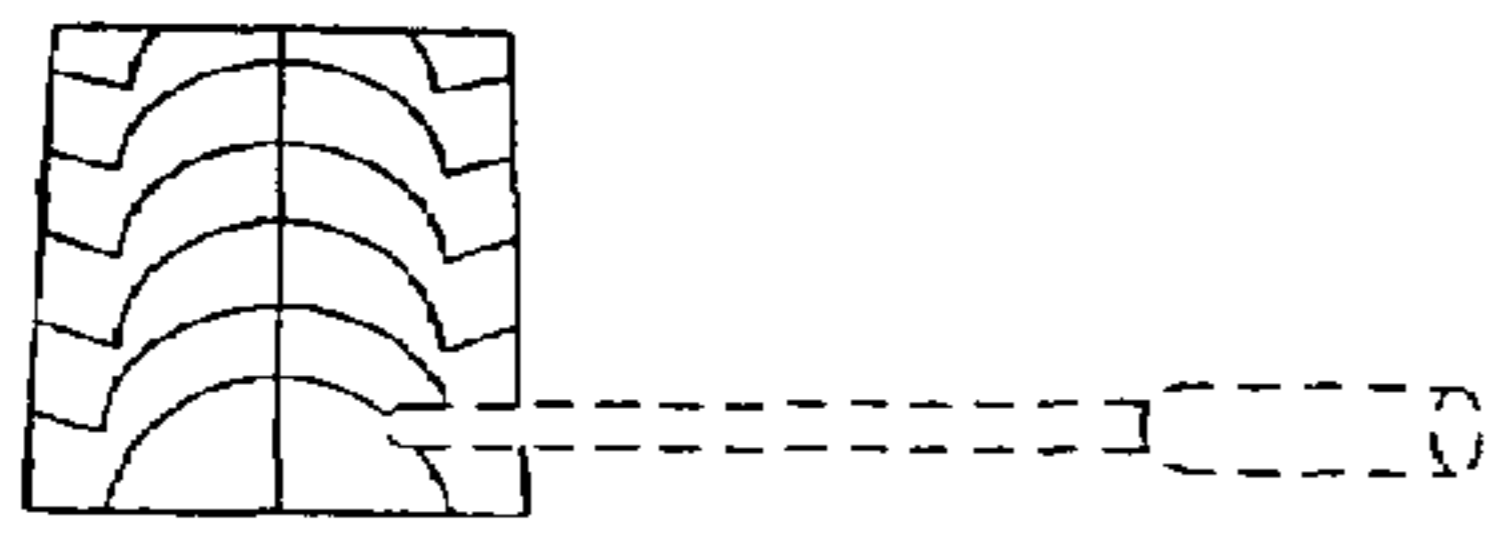


FIG. 11

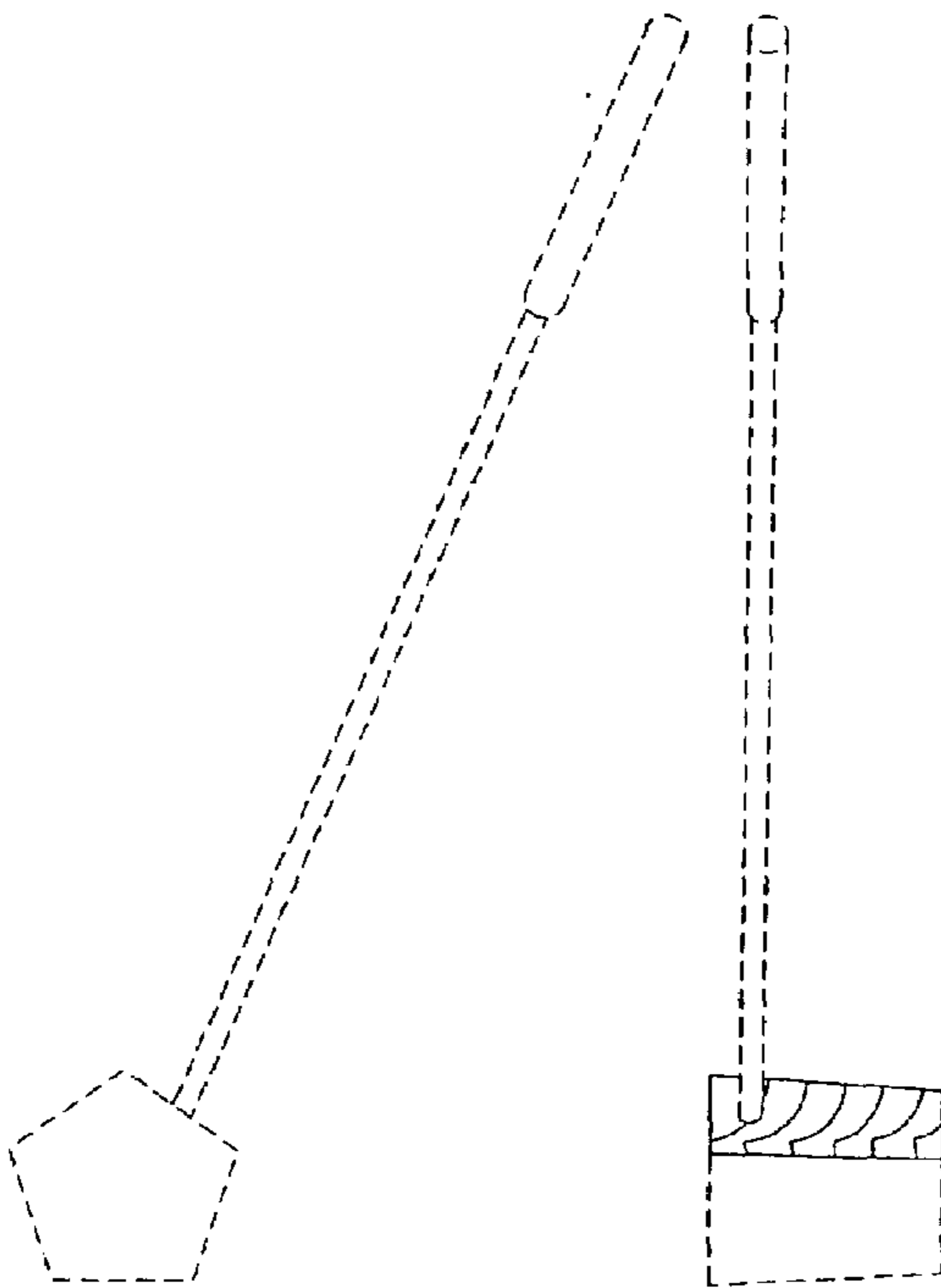


FIG. 7

FIG. 8

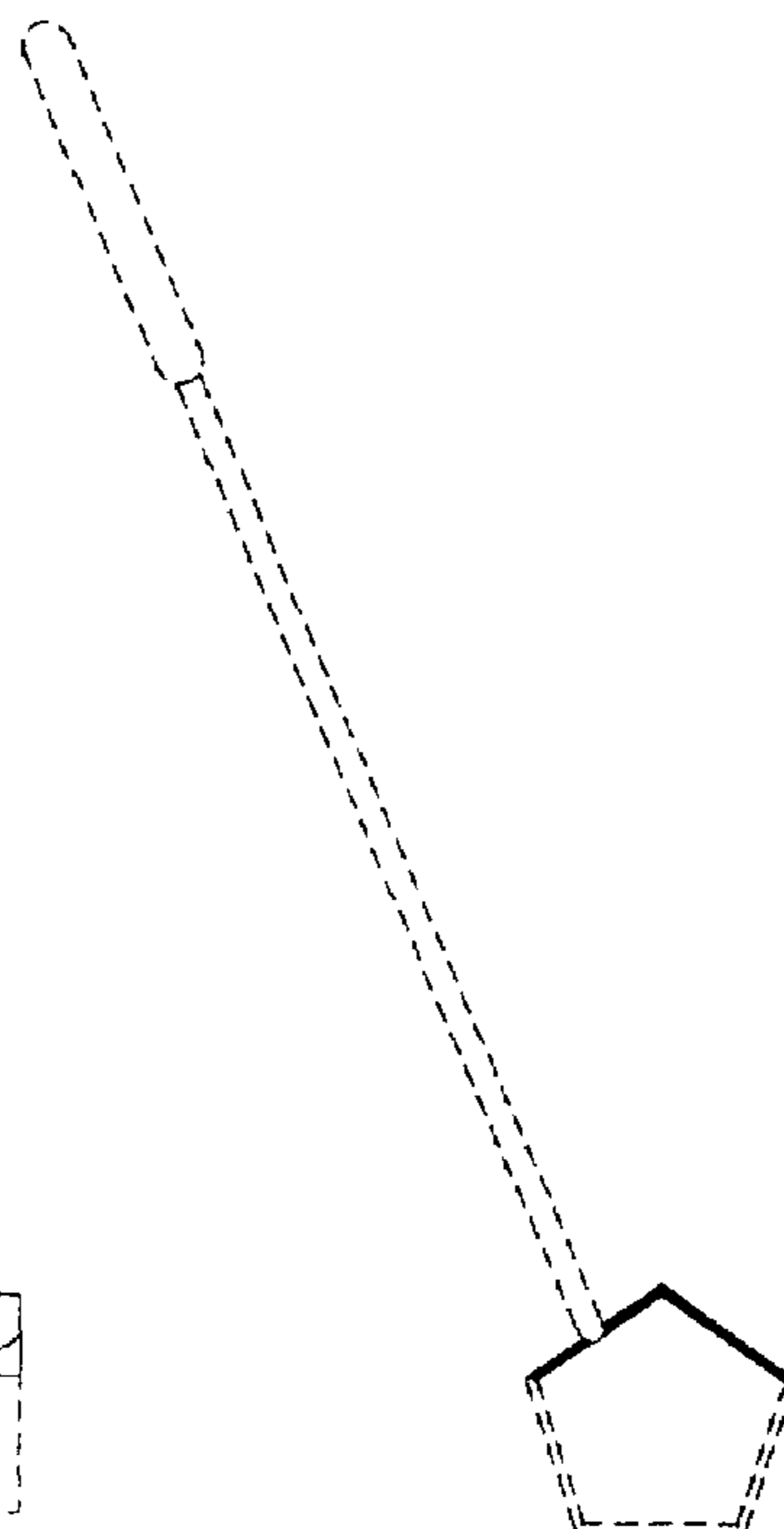


FIG. 9

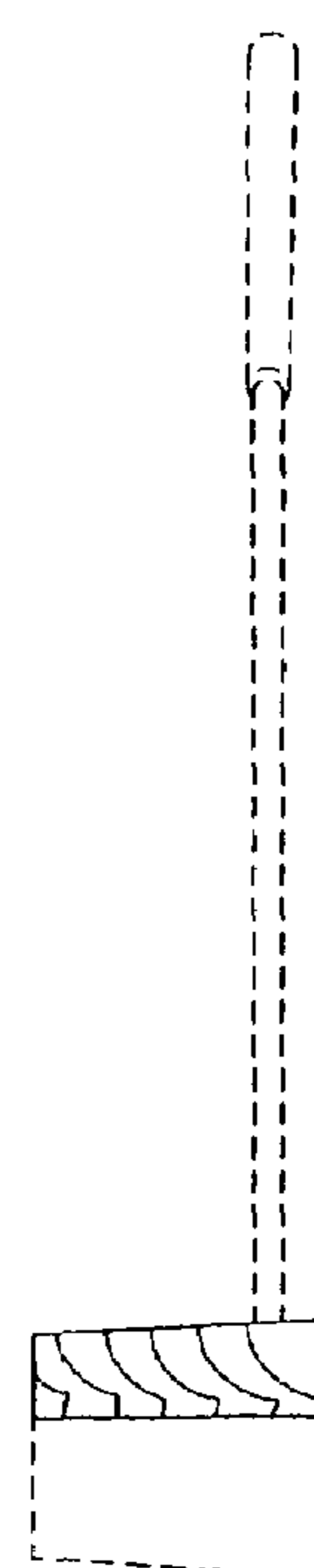


FIG. 10

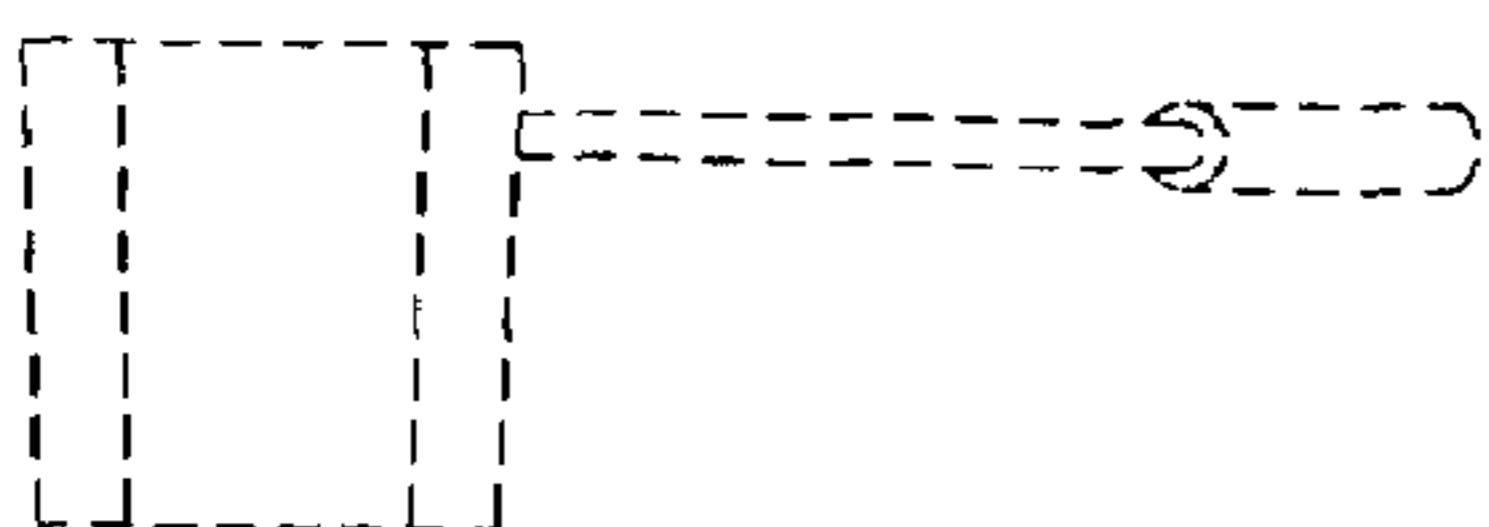


FIG. 12

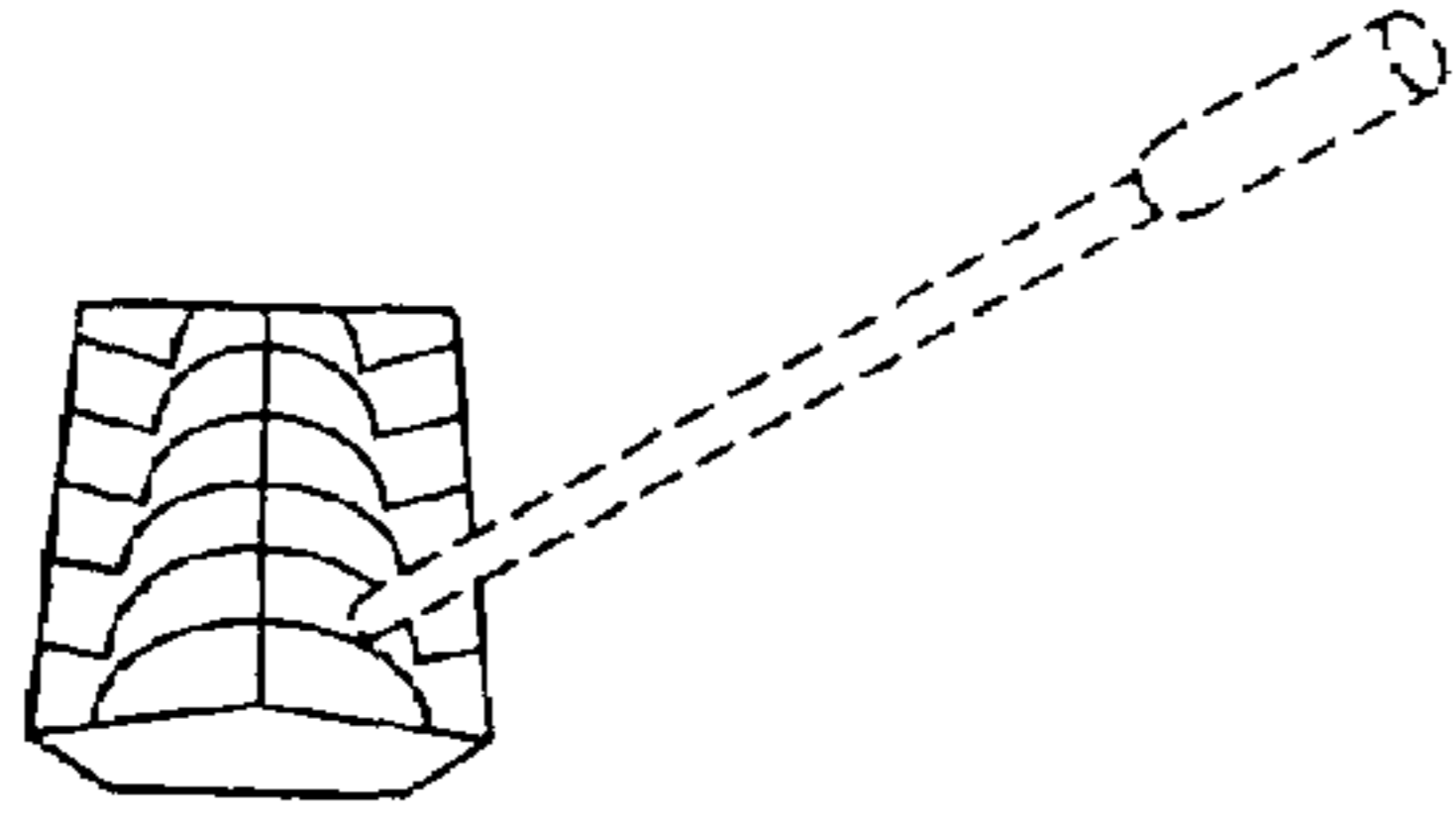


FIG.17

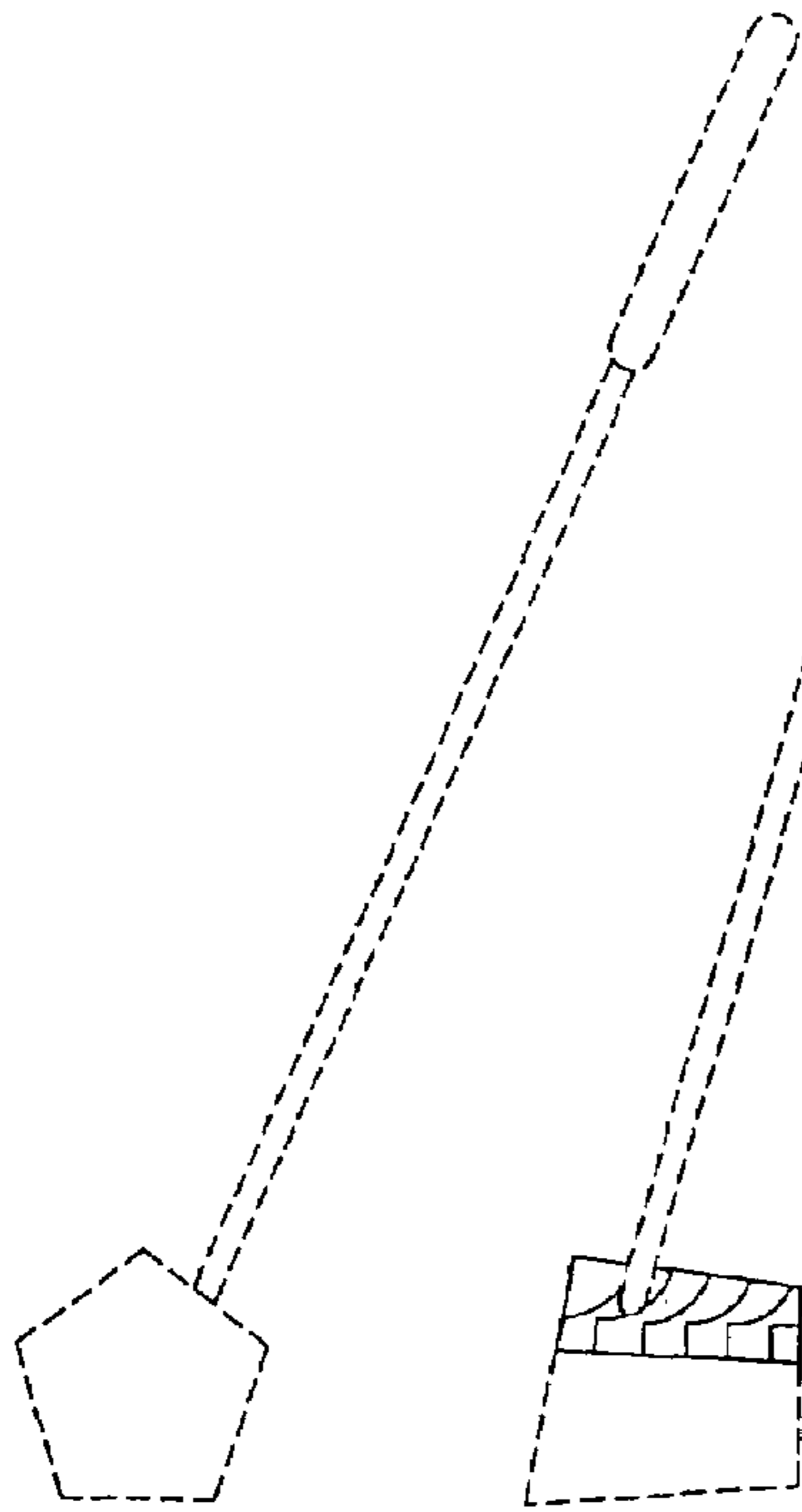


FIG.13

FIG.14

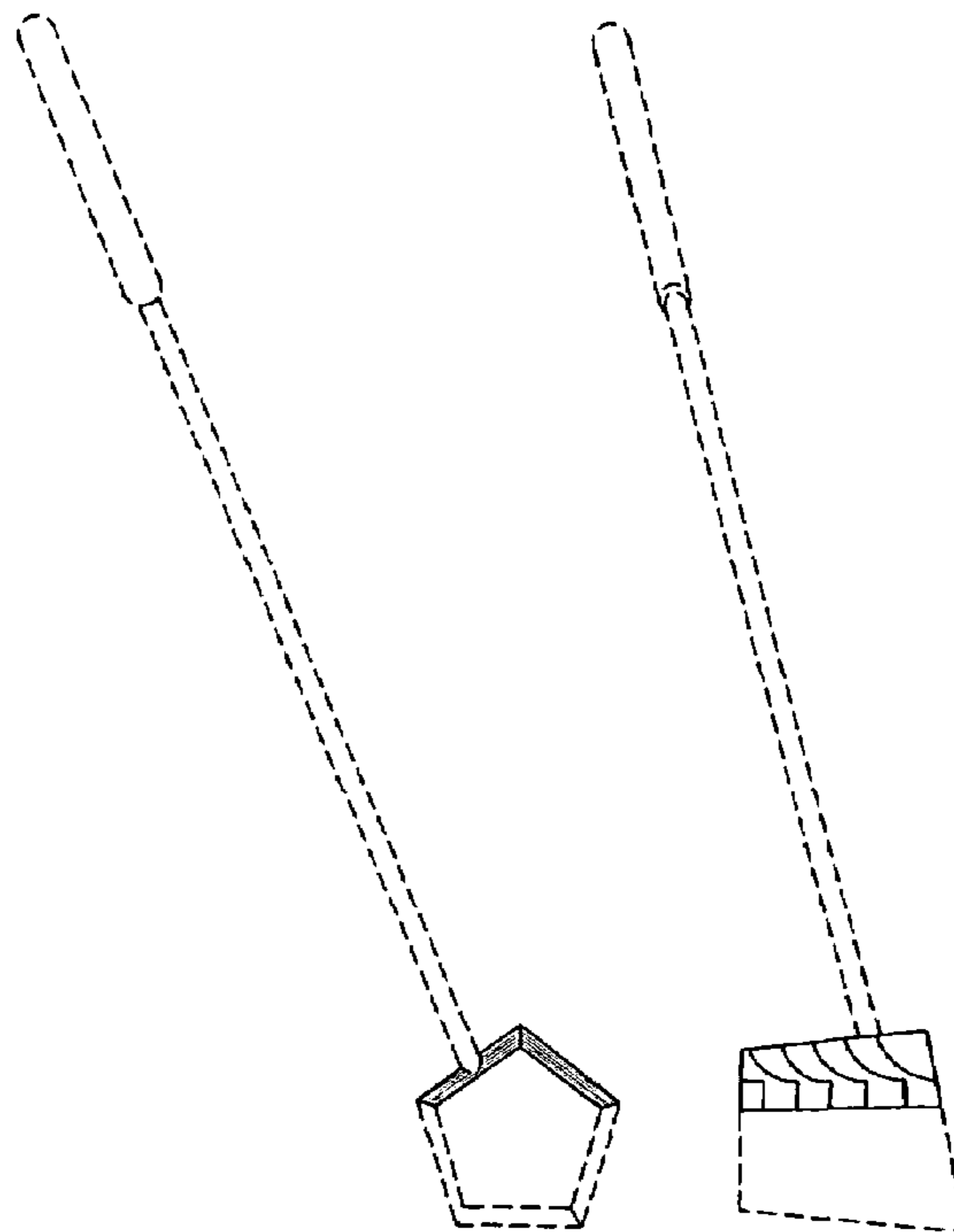


FIG.15

FIG.16

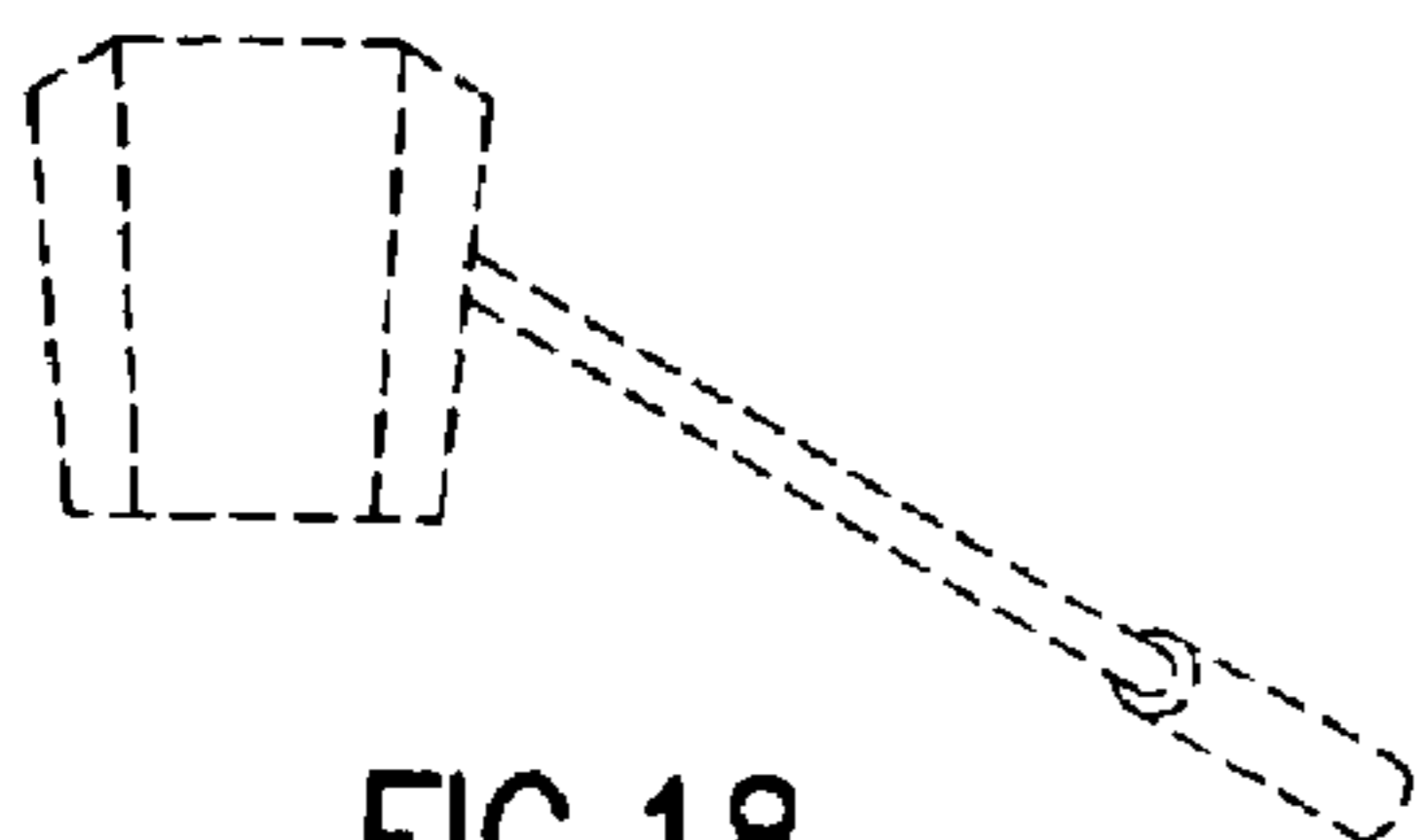


FIG.18