



US00D551723S

(12) **United States Design Patent**
Schlegel et al.

(10) **Patent No.:** **US D551,723 S**

(45) **Date of Patent:** **** Sep. 25, 2007**

(54) **WAGON CANOPY**

D513,226 S * 12/2005 Sancer D12/401

(75) Inventors: **Thomas Schlegel**, Wheaton, IL (US);
Timothy Seckel, Streamwood, IL (US)

* cited by examiner

(73) Assignee: **Radio Flyer Inc.**, Chicago, IL (US)

Primary Examiner—Holly H. Baynham

Assistant Examiner—Cynthia M. Chin

(**) Term: **14 Years**

(74) *Attorney, Agent, or Firm*—DLA Piper US LLP; R. Blake Johnston

(21) Appl. No.: **29/242,895**

(57) **CLAIM**

(22) Filed: **Nov. 16, 2005**

The ornamental design for a wagon canopy, as shown and described.

(51) **LOC (8) Cl.** **21-01**

(52) **U.S. Cl.** **D21/536; D21/425**

(58) **Field of Classification Search** D21/419,
D21/425, 424, 426, 534, 535, 536, 837; D12/17,
D12/19, 20, 129, 102, 105, 106, 401; 280/87.01,
280/87.021, 47.17, 47.25, 47.34, 47.4, 204;
D25/56; 135/88.01, 88.02, 88.09, 88.1
See application file for complete search history.

DESCRIPTION

(56) **References Cited**

U.S. PATENT DOCUMENTS

- D369,329 S * 4/1996 Harris et al. D12/106
- 5,560,383 A * 10/1996 Fuller 135/88.01
- D428,382 S * 7/2000 Hall D12/401
- 6,260,566 B1 * 7/2001 LaFave et al. 135/88.01
- D453,727 S * 2/2002 Shugar et al. D12/401
- D466,953 S * 12/2002 Ortiz D21/425
- D497,872 S * 11/2004 Bonner et al. D12/401

FIG. 1 is a perspective view of the wagon canopy;

FIG. 2 is a front end elevational view of the wagon canopy, the opposite end of which is identical;

FIG. 3 is a right side elevational view of the wagon canopy, the opposite side of which is identical;

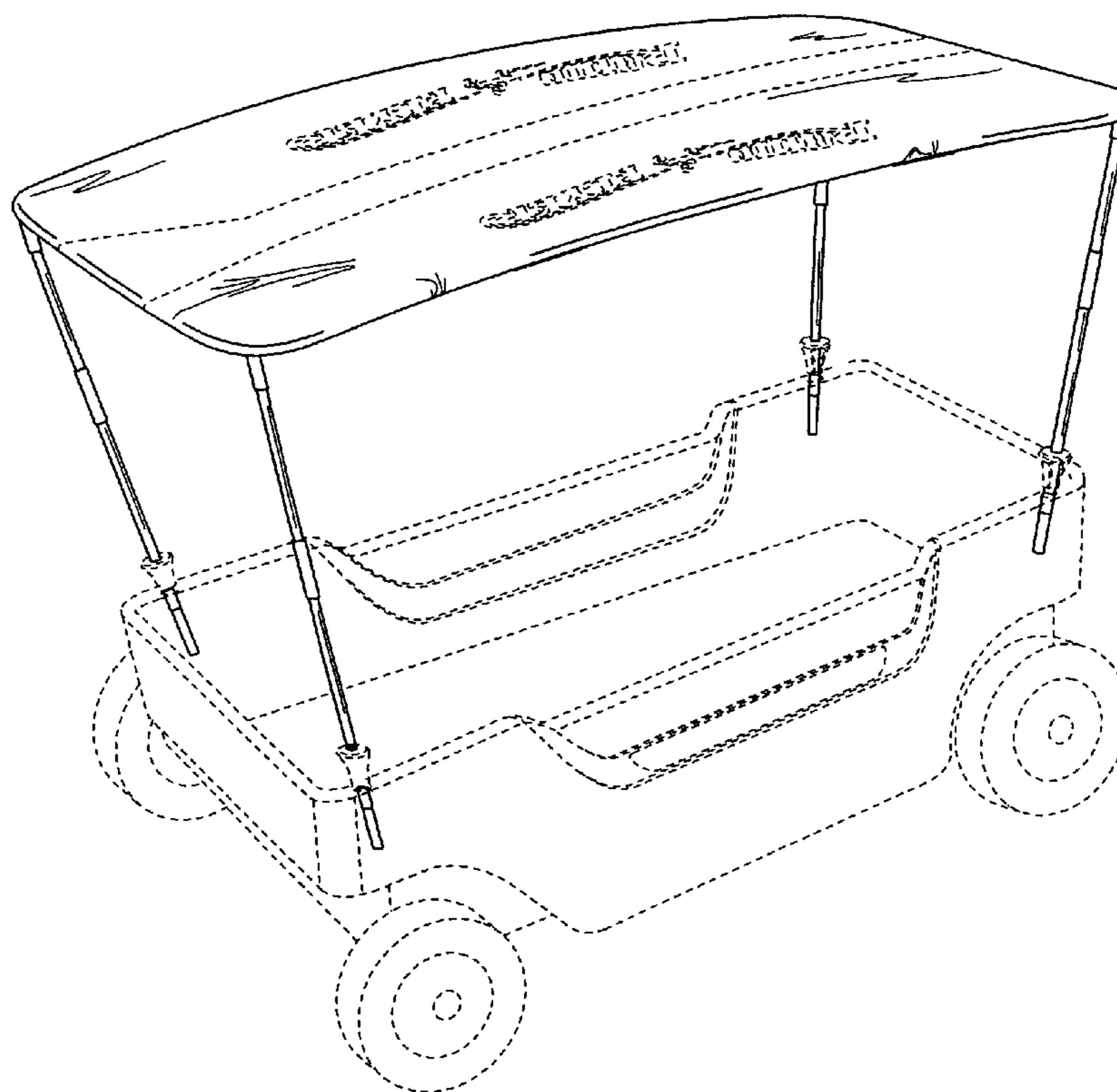
FIG. 4 is a top plan view of the wagon canopy;

FIG. 5 is a bottom plan view of the wagon canopy; and,

FIG. 6 is a perspective view of the wagon canopy as installed on a wagon.

The broken lines are for illustrative purposes only and form no part of the claimed design.

1 Claim, 4 Drawing Sheets



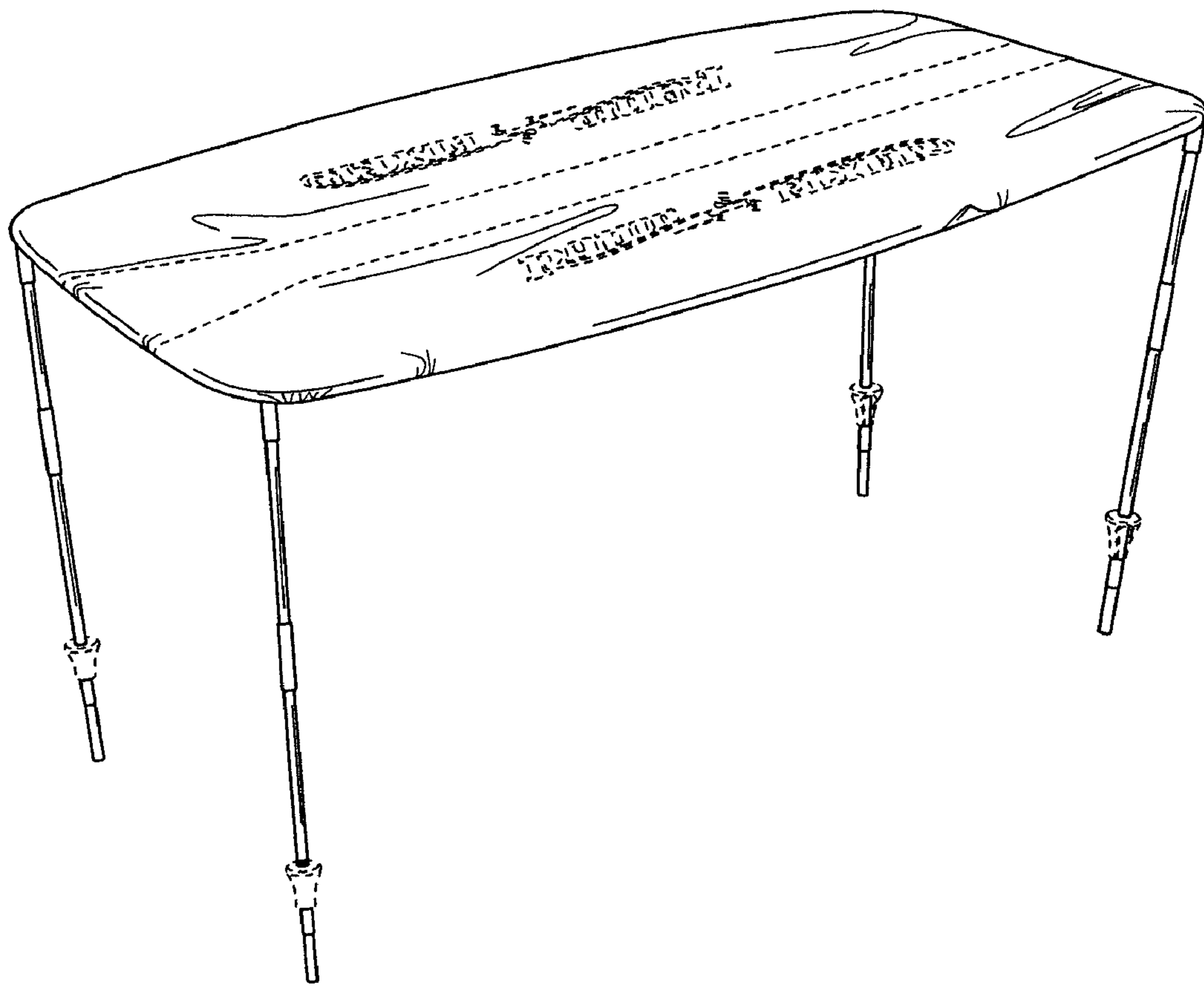


FIG. 1

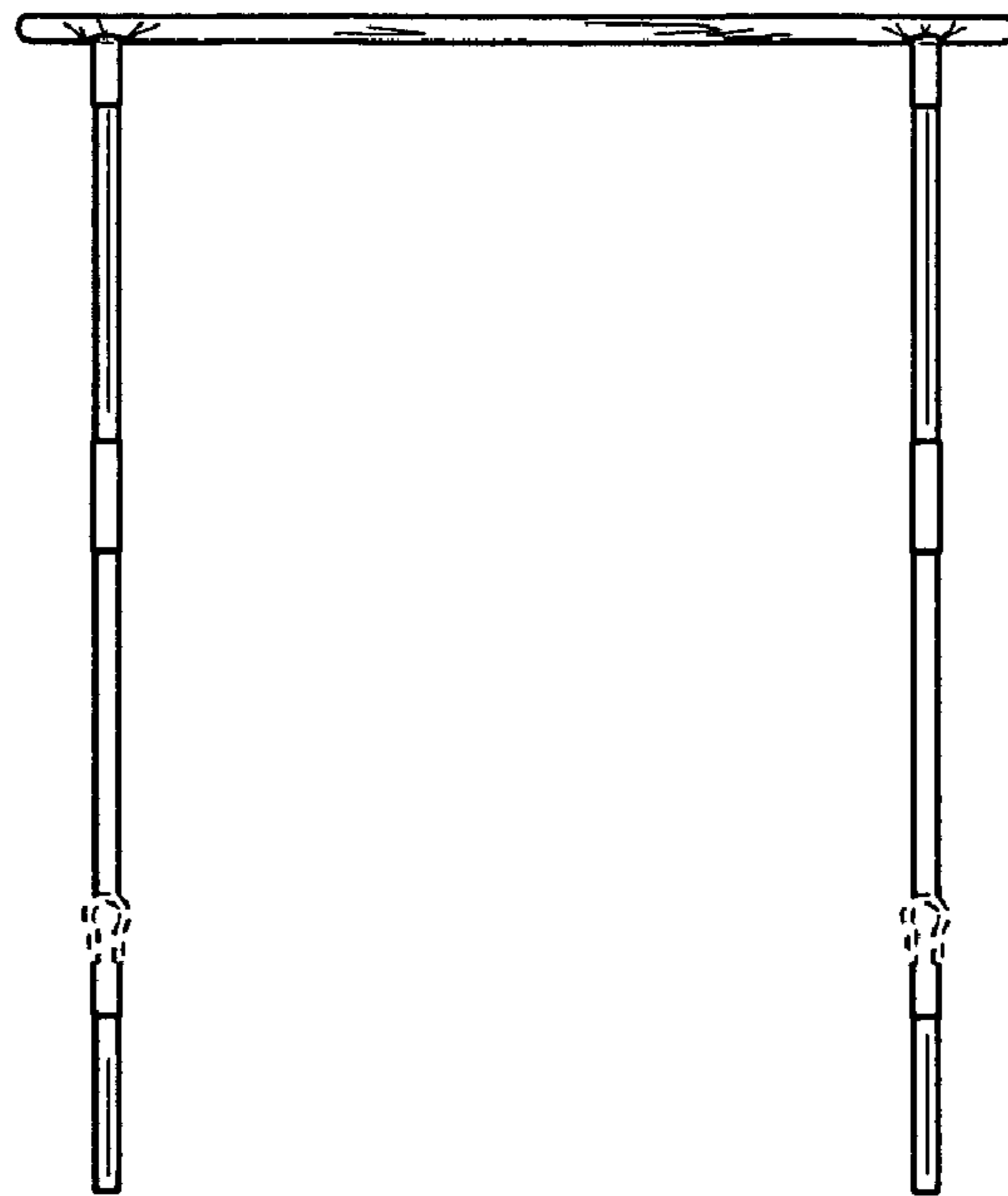


FIG. 2

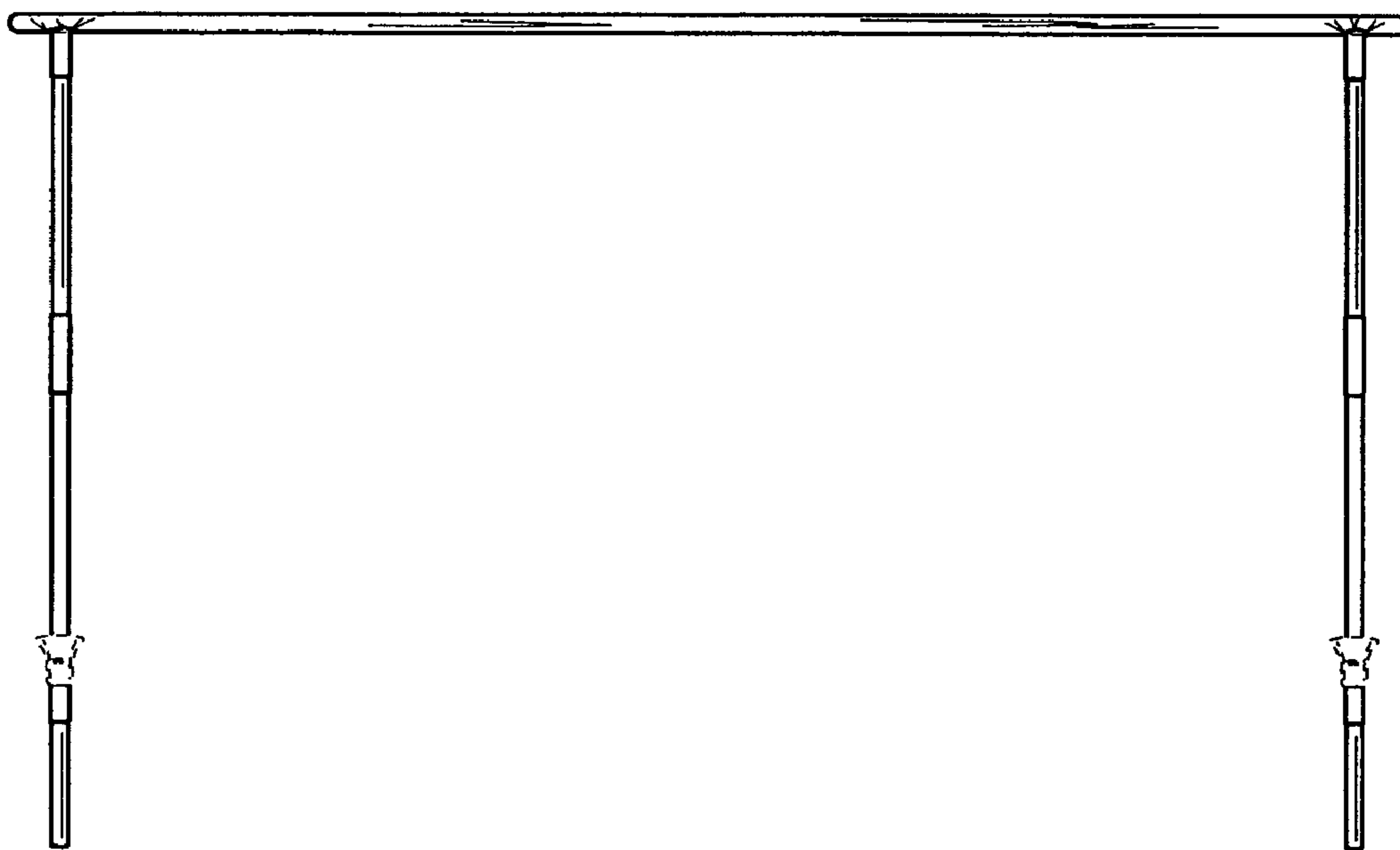


FIG. 3

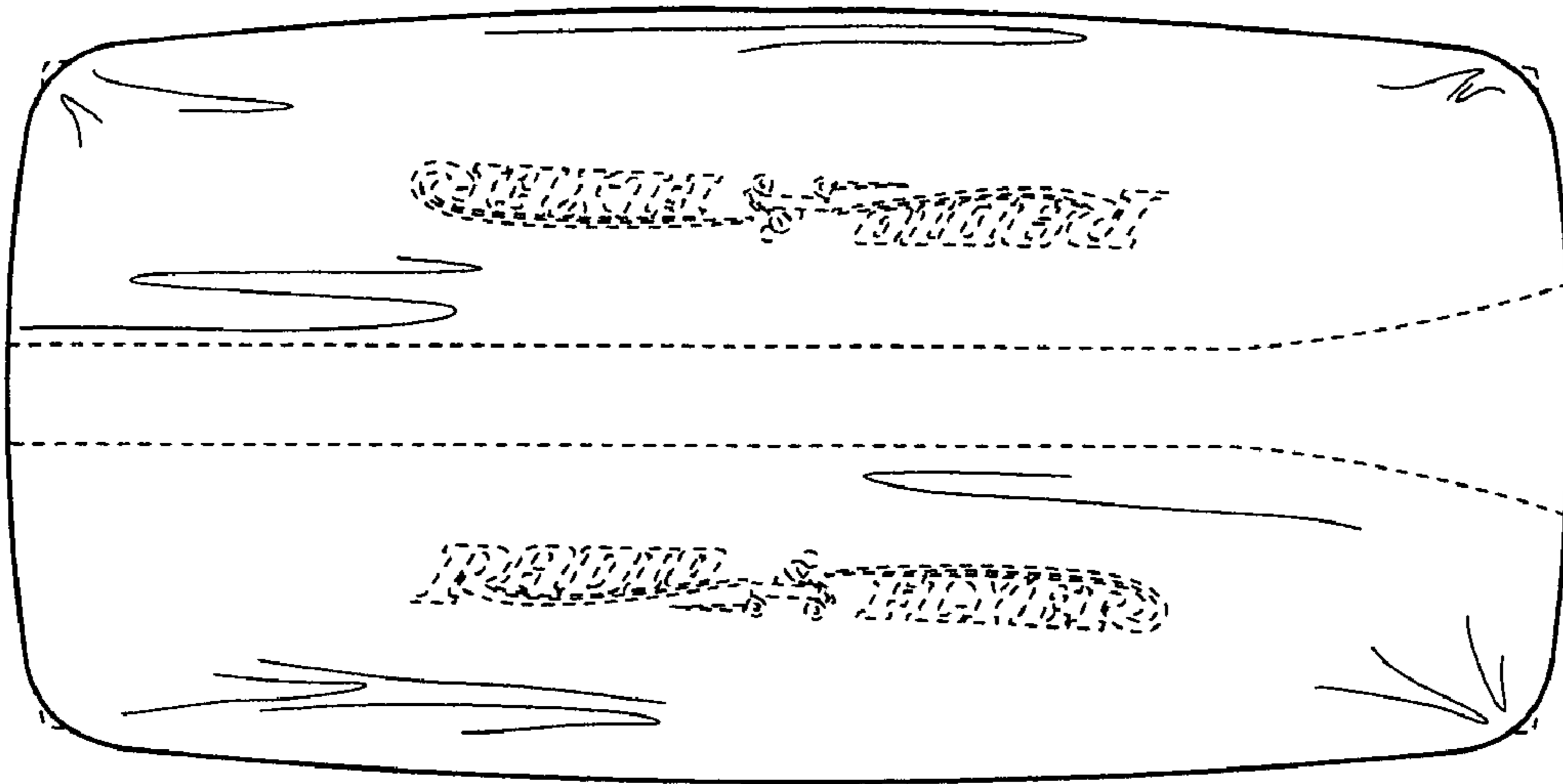


FIG. 4

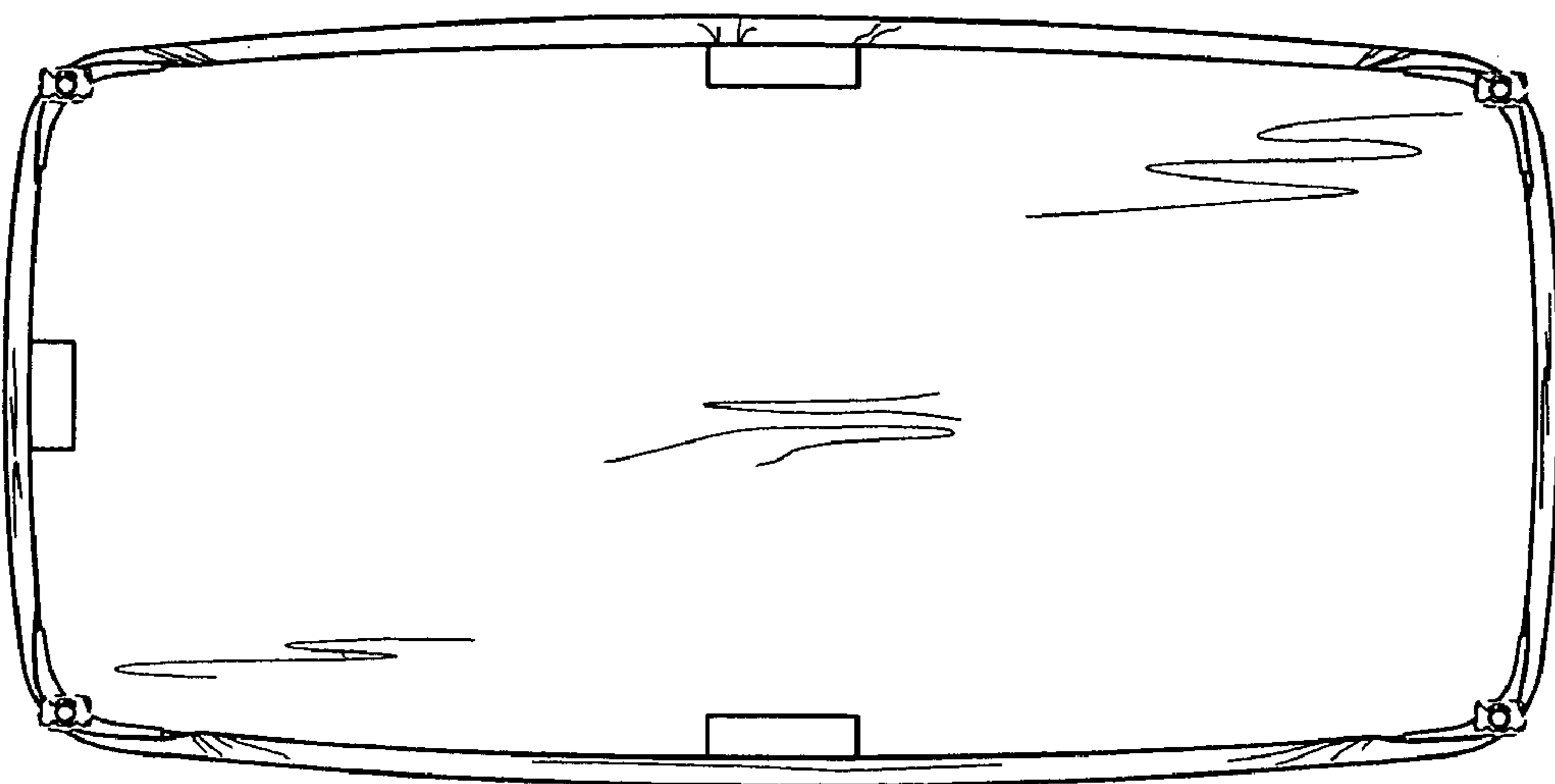


FIG. 5

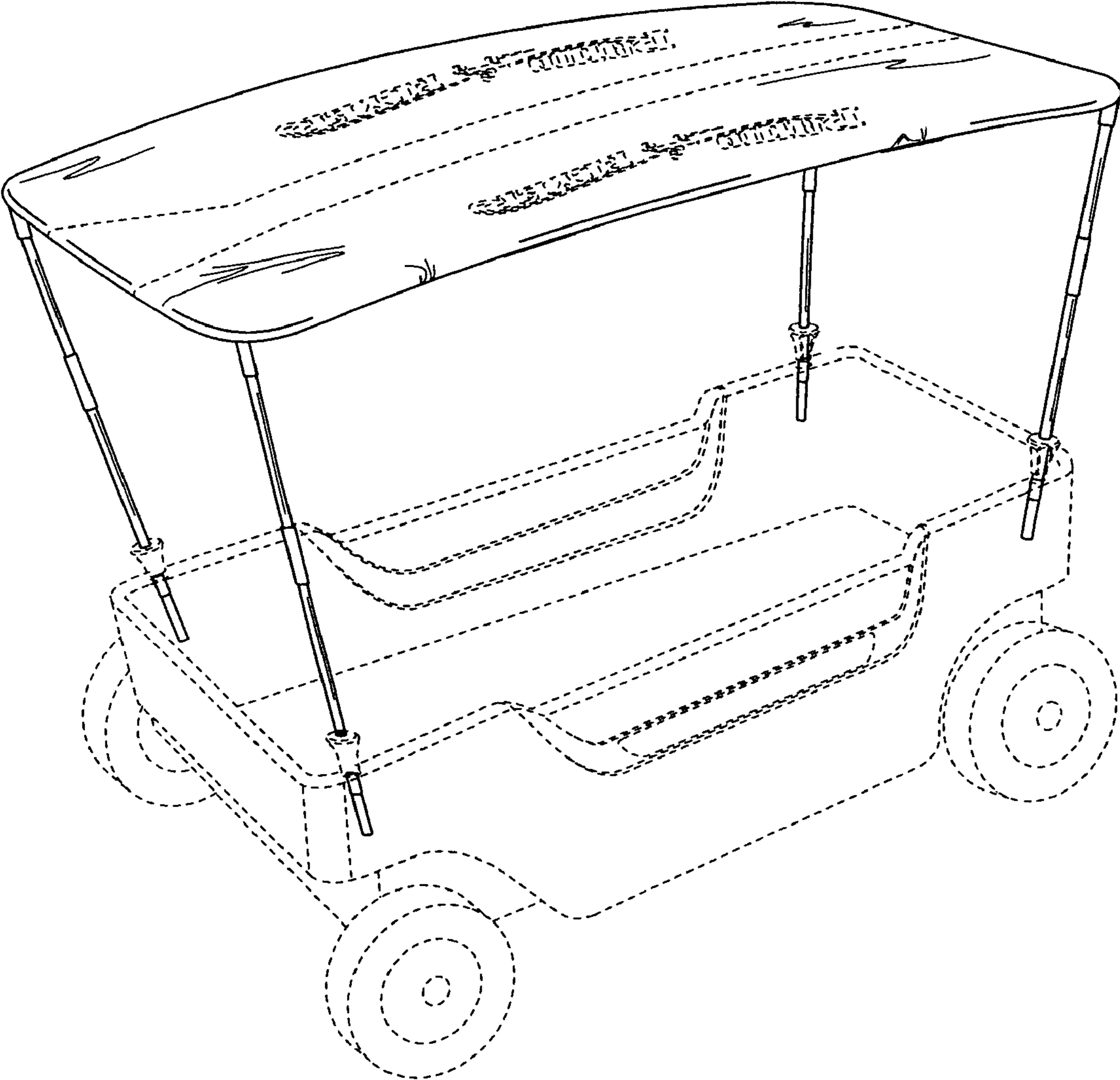


FIG. 6