



US00D551718S

(12) **United States Design Patent** (10) **Patent No.:** **US D551,718 S**  
**Diller** (45) **Date of Patent:** **\*\* Sep. 25, 2007**

(54) **CURVED SIGN HOLDER**

(75) Inventor: **Danielle N. Diller**, Indianapolis, IN (US)

(73) Assignee: **Deflecto Corporation**, Indianapolis, IN (US)

(\*\*) Term: **14 Years**

(21) Appl. No.: **29/242,252**

(22) Filed: **Nov. 8, 2005**

(51) **LOC (8) Cl.** ..... **20-02**

(52) **U.S. Cl.** ..... **D20/42**

(58) **Field of Classification Search** ..... D20/10, D20/27, 40-44, 99; 40/124.01, 488, 489, 40/584, 600, 610, 611.01, 611.03, 611.05, 40/611.06, 611.1, 622, 628, 649, 657, 663, 40/757; 283/56, 81; 248/174, 205, 220.2, 248/220.31, 466, 469, 475.1; 362/812; D6/300, D6/301, 310, 314, 332, 495

See application file for complete search history.

(56) **References Cited**

**U.S. PATENT DOCUMENTS**

D14,417 S *	11/1883	De Planque	.....	D6/300
3,341,162 A *	9/1967	Ruchlis	.....	248/174
4,694,596 A *	9/1987	Fast	.....	40/663
D406,177 S *	2/1999	Milroy	.....	D20/27
D435,270 S *	12/2000	Healy	.....	D20/10
6,257,536 B1 *	7/2001	Manuel	.....	248/220.31
D448,579 S *	10/2001	Prade	.....	D16/314

6,298,591 B1 *	10/2001	Healy	.....	40/600
6,308,446 B1 *	10/2001	Healy	.....	40/600
D452,714 S *	1/2002	Henriksen et al.	.....	D20/43
D501,890 S *	2/2005	Lazaroff et al.	.....	D20/40
D506,331 S *	6/2005	Quintal	.....	D6/495

\* cited by examiner

*Primary Examiner*—Robert M. Spear

*Assistant Examiner*—Mary Ann Calabrese

(74) *Attorney, Agent, or Firm*—Sonnenschein Nath & Rosenthal LLP; Brian R. McGinley

(57) **CLAIM**

The ornamental design for a curved sign holder, as shown and described.

**DESCRIPTION**

FIG. 1 is a perspective view of a curved sign holder showing the new design;

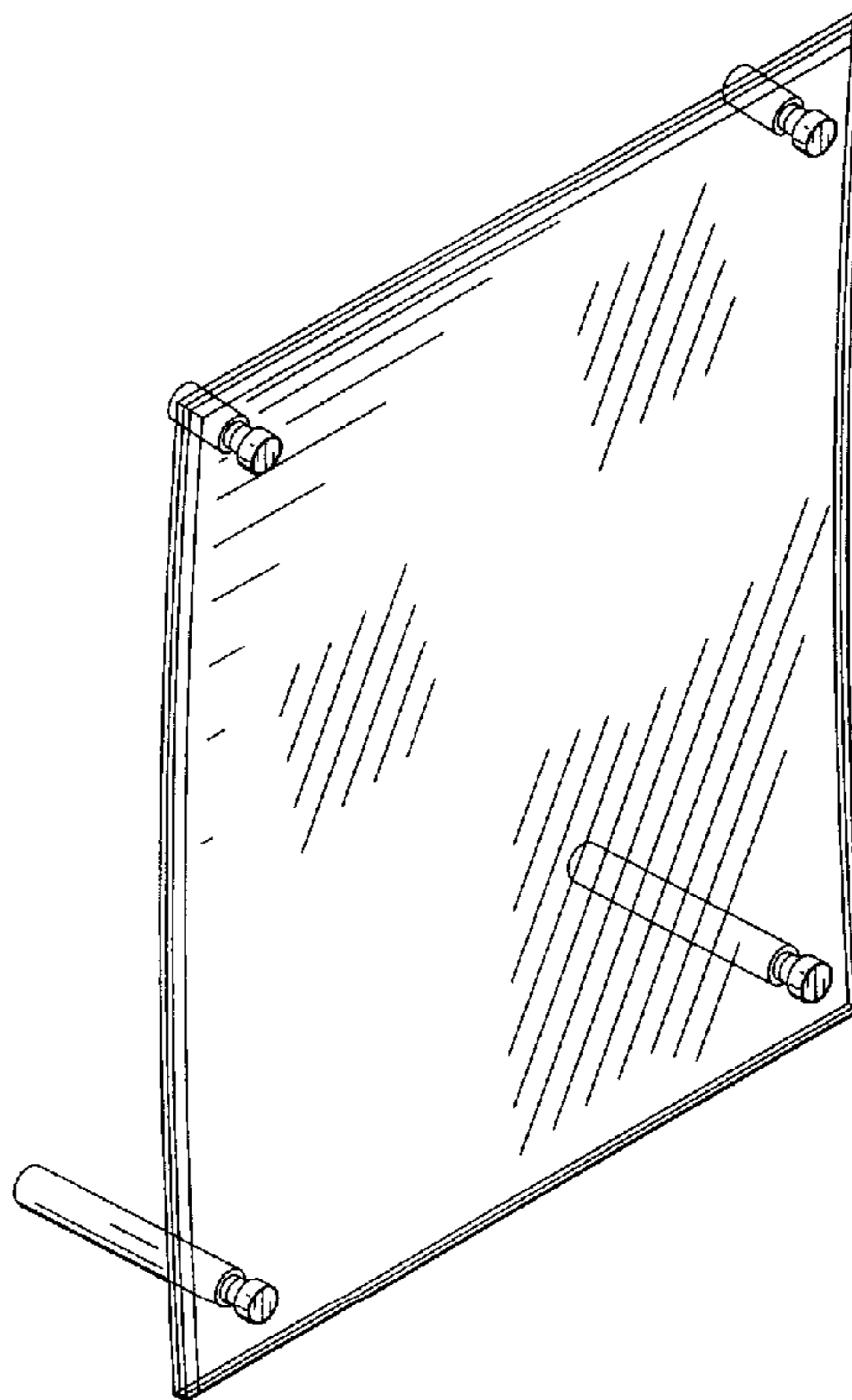
FIG. 2 is a front view of the curved sign holder shown in FIG. 1;

FIG. 3 is a top view of the curved sign holder shown in FIG. 1;

FIG. 4 is a right, side elevational view of the curved sign holder shown in FIG. 1 (the left, side elevational view of the curved sign holder is a mirror image of the view shown in FIG. 4; and,

FIG. 5 is a bottom view of the curved sign holder shown in FIG. 1.

**1 Claim, 2 Drawing Sheets**



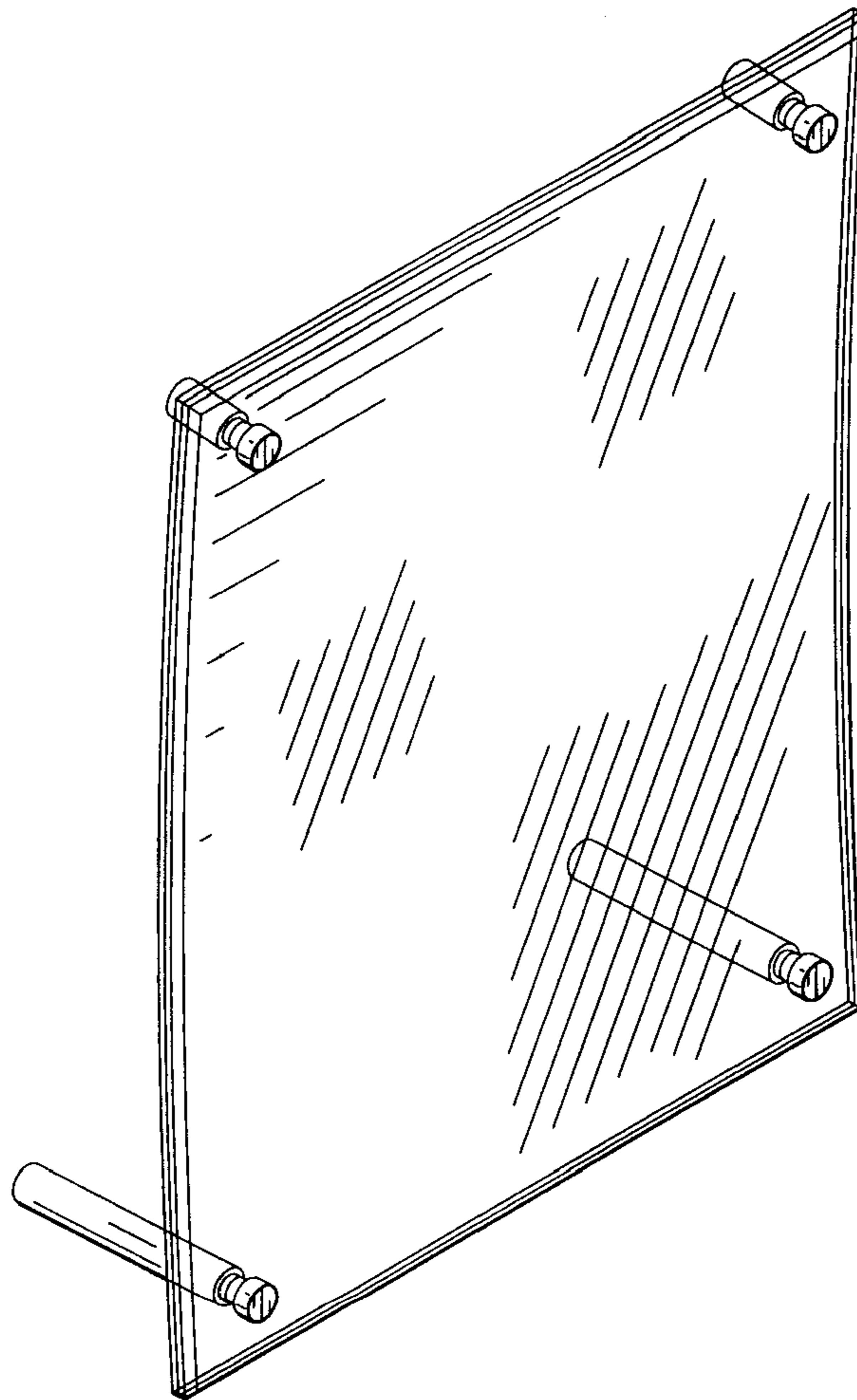
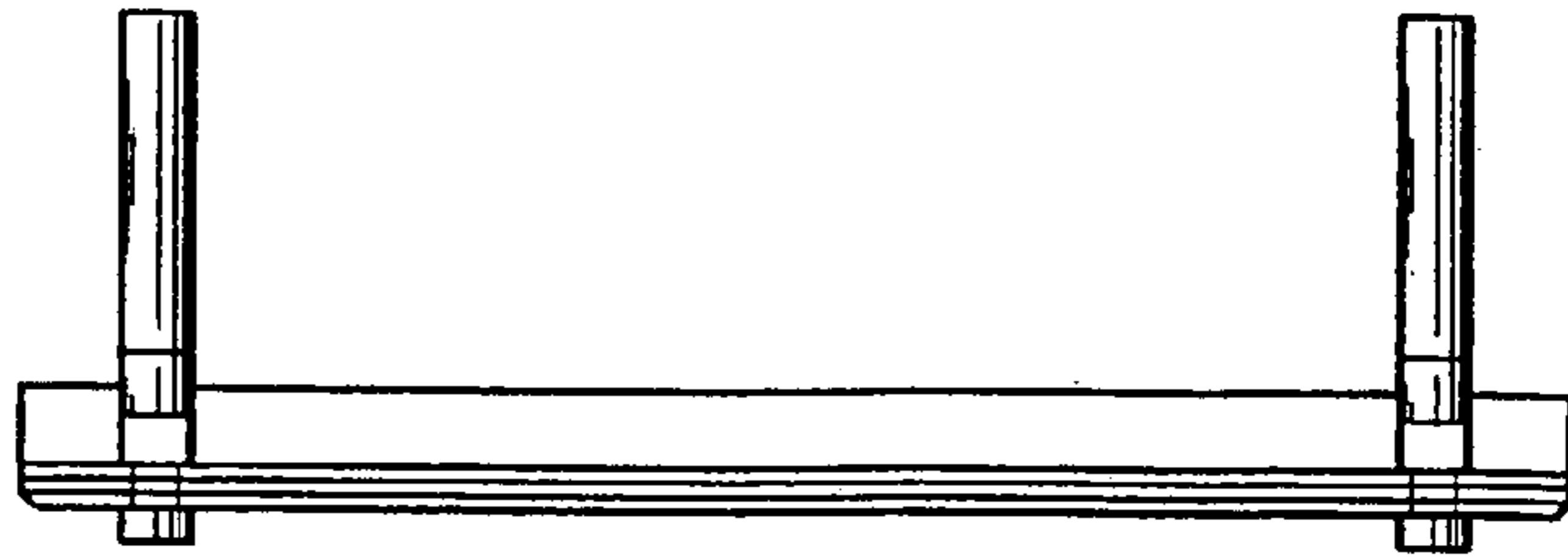
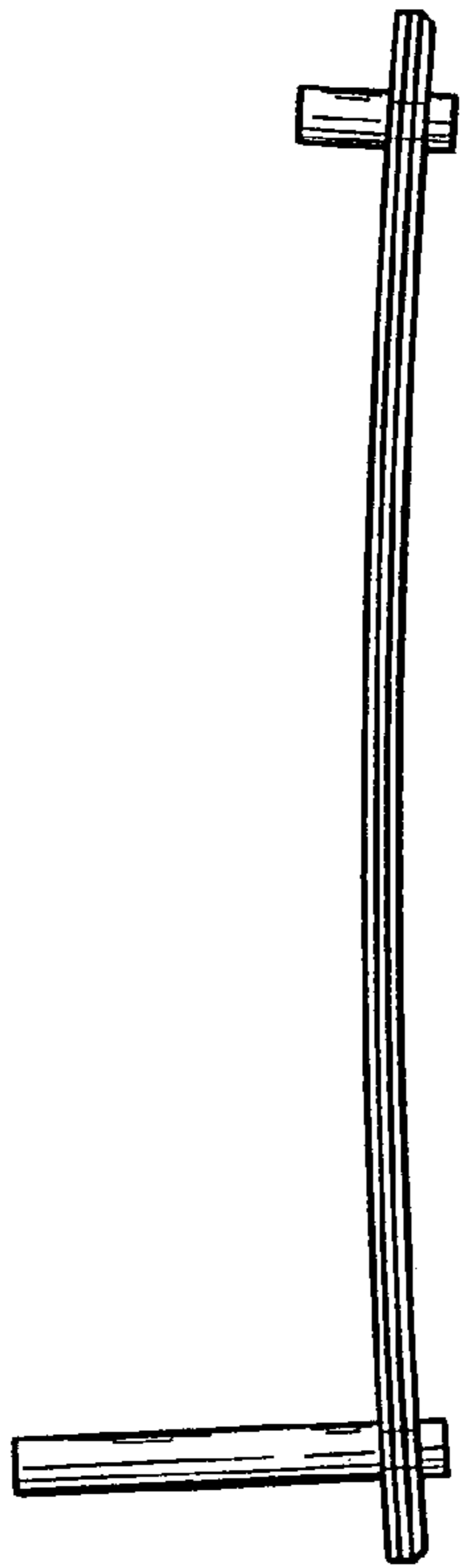


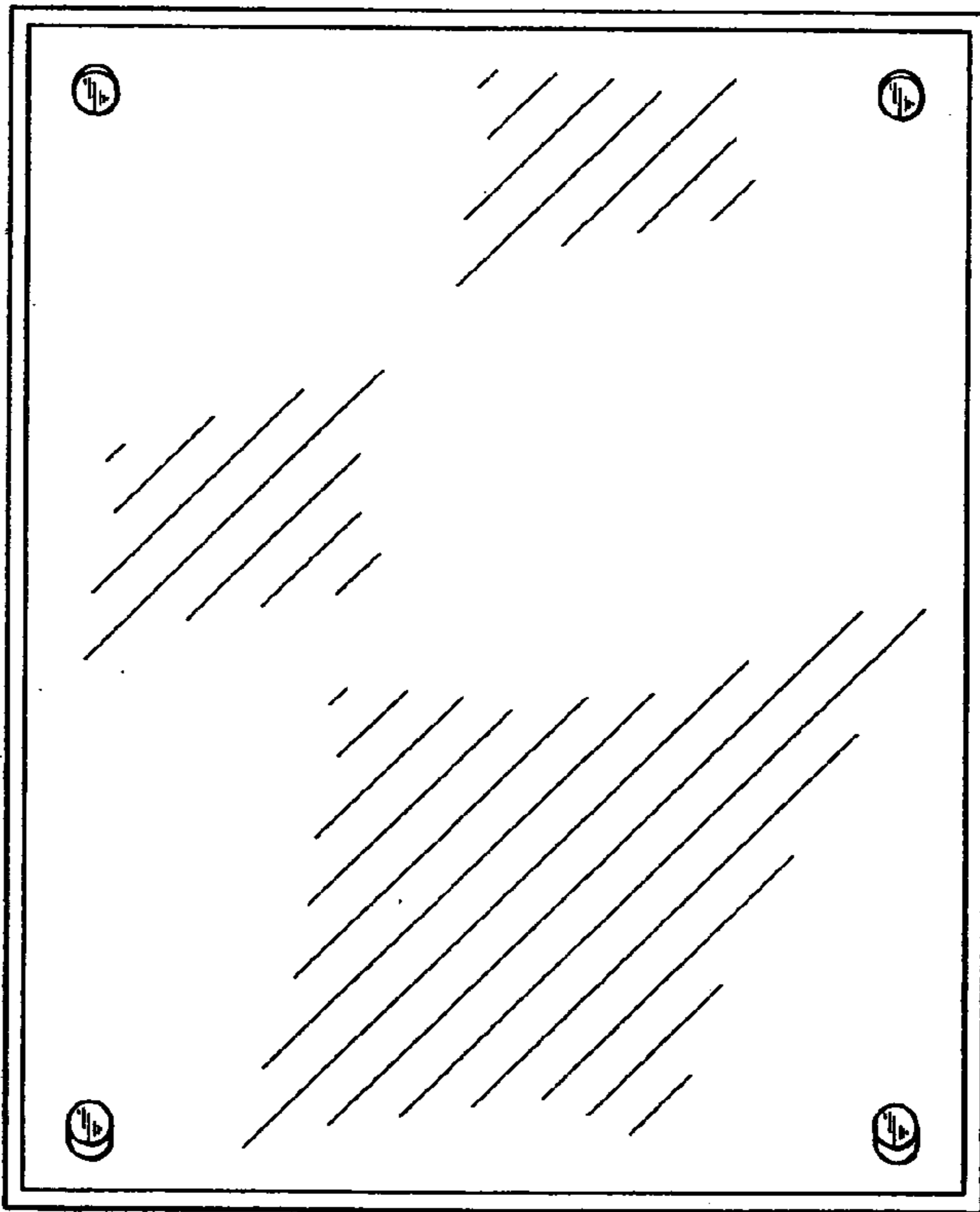
FIG. 1



*Fig. 3.*



*Fig. 4.*



*Fig. 2.*

*Fig. 5.*

