



US00D551717S

(12) **United States Design Patent** (10) **Patent No.:** **US D551,717 S**
Diller (45) **Date of Patent:** **** Sep. 25, 2007**

(54) **SIGN HOLDER**

(75) Inventor: **Danielle N. Diller**, Indianapolis, IN (US)

(73) Assignee: **Deflecto Corporation**, Indianapolis, IN (US)

(**) Term: **14 Years**

(21) Appl. No.: **29/241,178**

(22) Filed: **Oct. 25, 2005**

(51) **LOC (8) Cl.** **20-02**

(52) **U.S. Cl.** **D20/42**

(58) **Field of Classification Search** D20/10, D20/27, 40-44, 99; 40/124.01, 488, 489, 40/584, 600, 610, 611.01, 611.03, 611.05, 40/611.06, 611.1, 622, 628, 649, 657, 663, 40/757; 283/56, 81; 248/174, 205, 220.2, 248/220.31, 466, 469, 475.1; 362/812; D6/300, D6/301, 310, 314, 332, 495

See application file for complete search history.

(56) **References Cited**

U.S. PATENT DOCUMENTS

D14,417 S * 11/1883 De Planque D6/300
3,341,162 A * 9/1967 Ruchlis 248/174
4,694,596 A * 9/1987 Fast 40/663
D406,177 S * 2/1999 Milroy D20/27
D435,270 S * 12/2000 Healy D20/10

6,257,536 B1 * 7/2001 Manuel 248/220.31
D448,579 S * 10/2001 Prade D6/314
6,298,591 B1 * 10/2001 Healy 40/600
6,308,446 B1 * 10/2001 Healy 40/600
D452,714 S * 1/2002 Henriksen et al. D20/43
D501,890 S * 2/2005 Lazaroff et al. D20/40
D506,331 S * 6/2005 Quintal D6/495

* cited by examiner

Primary Examiner—Robert M. Spear

Assistant Examiner—Mary Ann Calabrese

(74) *Attorney, Agent, or Firm*—Sonnenschein Nath & Rosenthal LLP; Brian R. McGinley

(57) **CLAIM**

The ornamental design for a sign holder, as shown and described.

DESCRIPTION

FIG. 1 is a perspective view of a sign holder showing the new design;

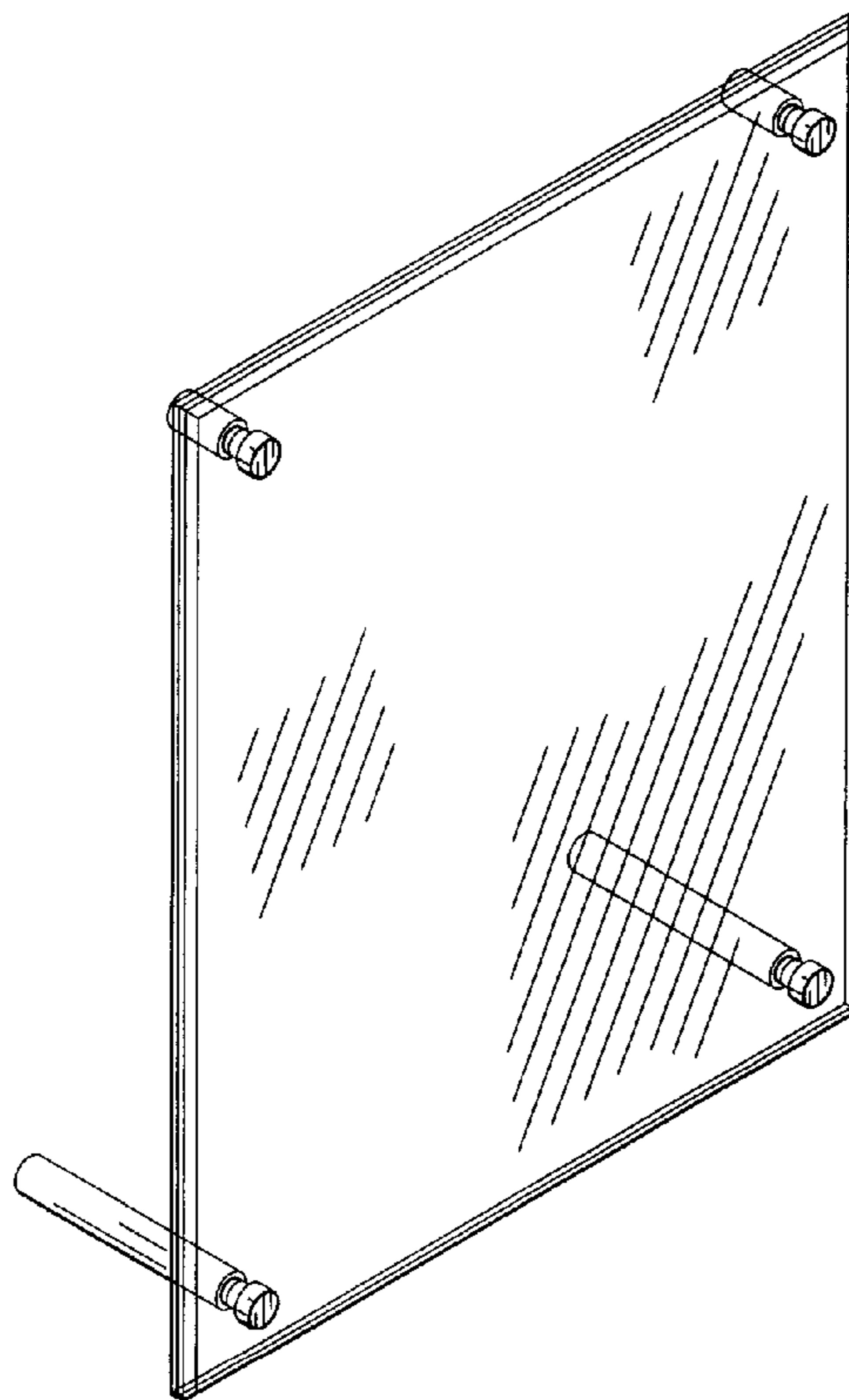
FIG. 2 is a front elevational view of the sign holder shown in FIG. 1;

FIG. 3 is a top view of the sign holder shown in FIG. 1;

FIG. 4 is a right, side elevational view of the sign holder shown in FIG. 1 (the left, side elevational view of the sign holder is a mirror image of the view shown in FIG. 4; and,

FIG. 5 is a bottom view of the sign holder shown in FIG. 1.

1 Claim, 2 Drawing Sheets



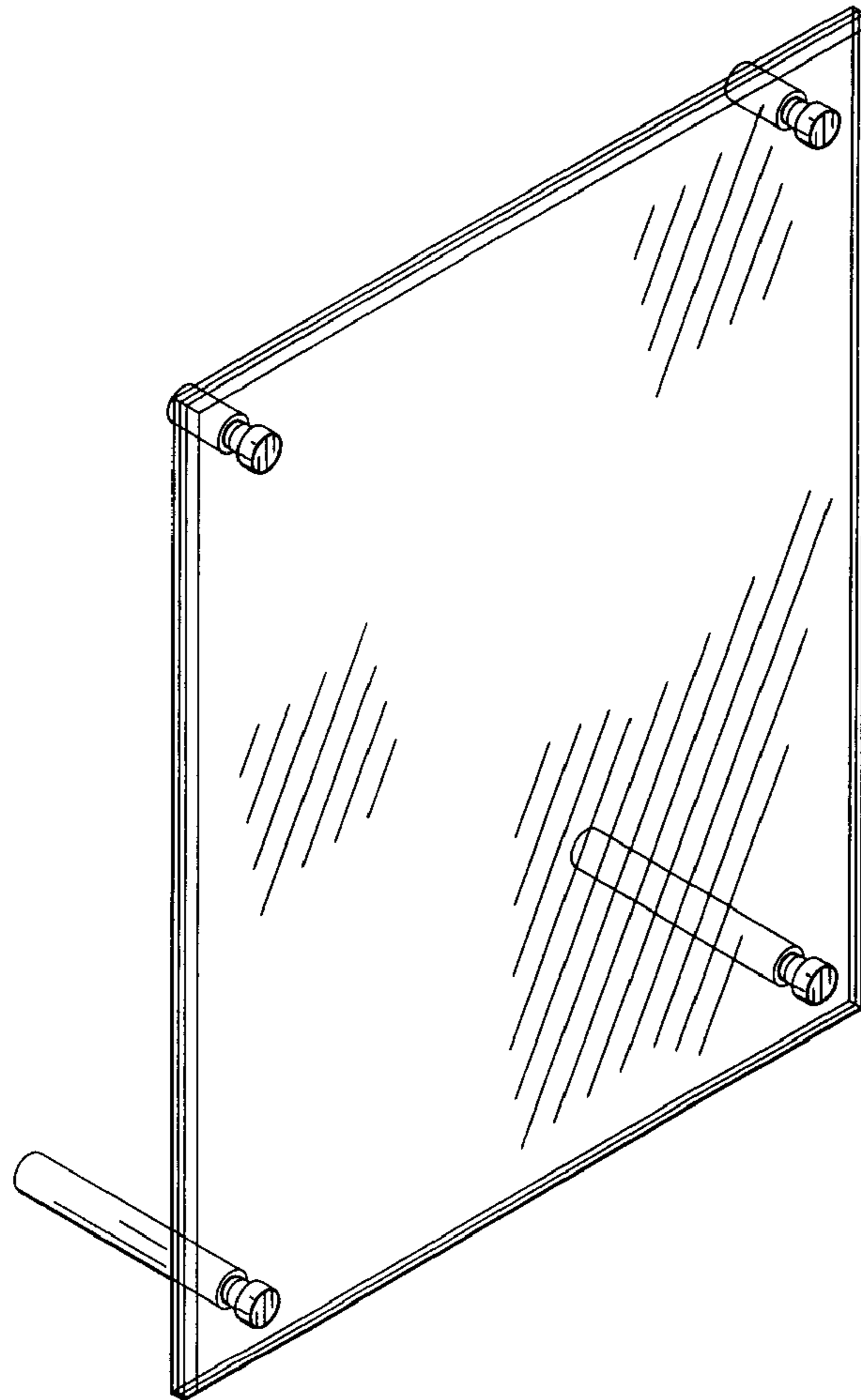


FIG. 1



Fig. 3.

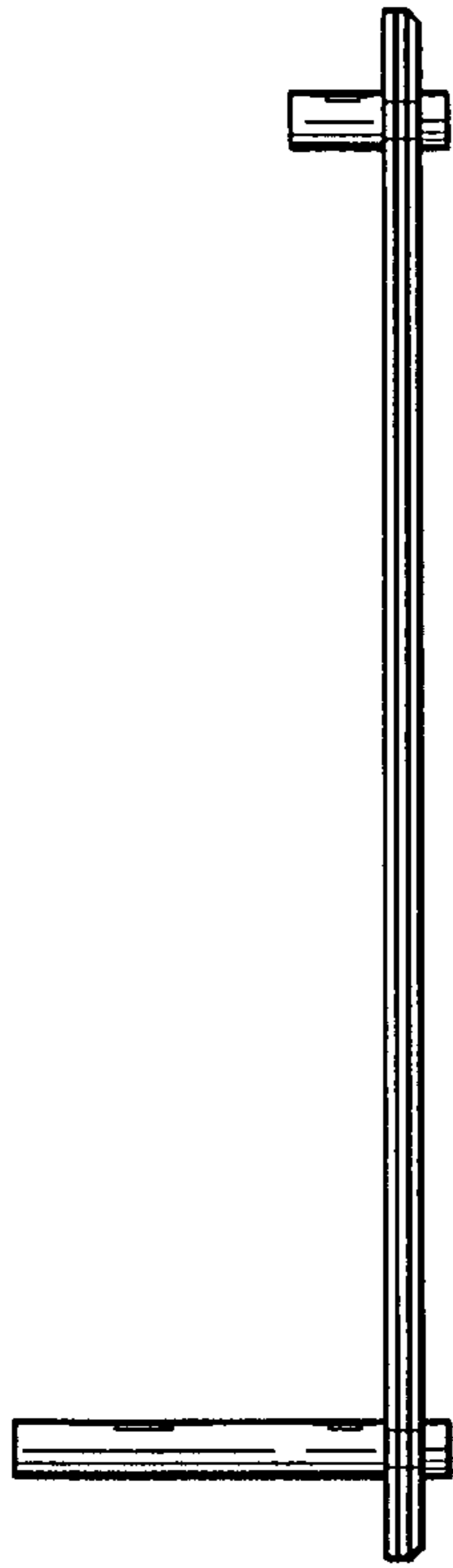


Fig. 4.

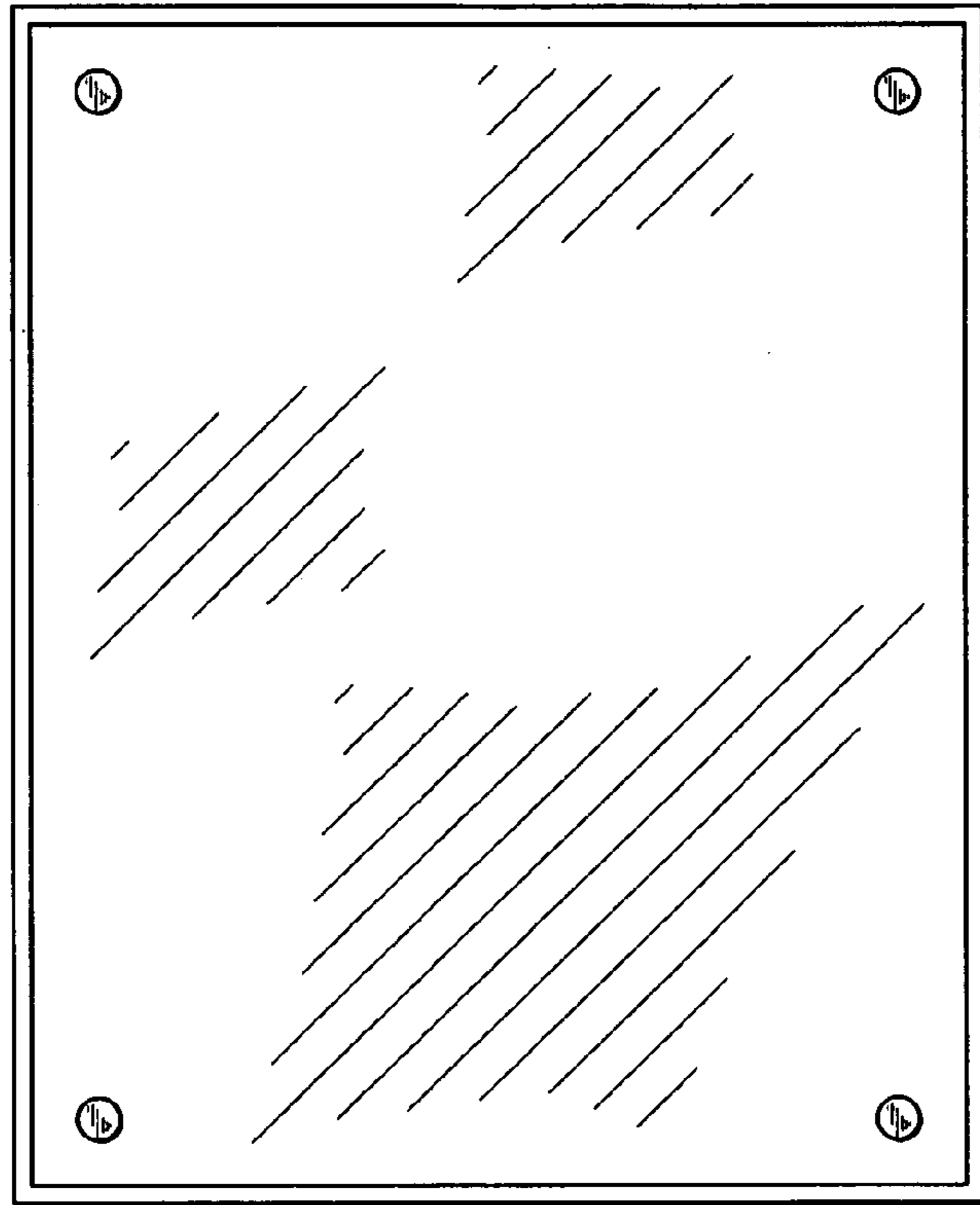


Fig. 2.

Fig. 5.

