



US00D551715S

(12) **United States Design Patent**
Chen et al.

(10) **Patent No.:** **US D551,715 S**

(45) **Date of Patent:** **** Sep. 25, 2007**

(54) **NOTES DISPENSER**

(75) Inventors: **Peter Chen**, West Windsor, NJ (US);
Jungkun Lee, Edison, NJ (US)

(73) Assignee: **Officemate International Corp.**,
Edison, NJ (US)

(**) Term: **14 Years**

(21) Appl. No.: **29/258,037**

(22) Filed: **Apr. 14, 2006**

(51) **LOC (8) Cl.** **19-02**

(52) **U.S. Cl.** **D19/86**

(58) **Field of Classification Search** D6/515,
D6/518; D9/734; D19/78, 86, 90, 91; 206/39.5,
206/215, 233; 221/45, 46, 48, 51, 52, 56,
221/59, 61, 63

See application file for complete search history.

(56) **References Cited**

U.S. PATENT DOCUMENTS

2,082,765	A	*	6/1937	Krueger	221/45
4,796,781	A	*	1/1989	Windorski	221/45
D324,076	S	*	2/1992	Freitag	D19/78
5,143,250	A	*	9/1992	Freitag	221/59
D331,075	S	*	11/1992	Dotterman et al.	D19/86
5,161,712	A	*	11/1992	Olson	221/45
5,165,570	A	*	11/1992	Windorski et al.	221/46
D332,284	S	*	1/1993	Van Eijben et al.	D19/86
D339,823	S	*	9/1993	Evenson	D19/75
D342,759	S	*	12/1993	Kirchhoff et al.	D19/86

D357,938	S	*	5/1995	Wolff	D19/86
D452,275	S	*	12/2001	Najmi	D19/78
D456,849	S	*	5/2002	Thompson et al.	D19/86
D460,117	S	*	7/2002	Thompson et al.	D19/86

* cited by examiner

Primary Examiner—Elizabeth A. Albert

(74) *Attorney, Agent, or Firm*—Daniel Kirschner

(57) **CLAIM**

The ornamental design for a notes dispenser, as shown and described.

DESCRIPTION

FIG. 1 is a front perspective view of a notes dispenser showing the new design;

FIG. 2 is a top view thereof;

FIG. 3 is a bottom view thereof;

FIG. 4 is front elevational view thereof;

FIG. 5 is a rear elevational view thereof;

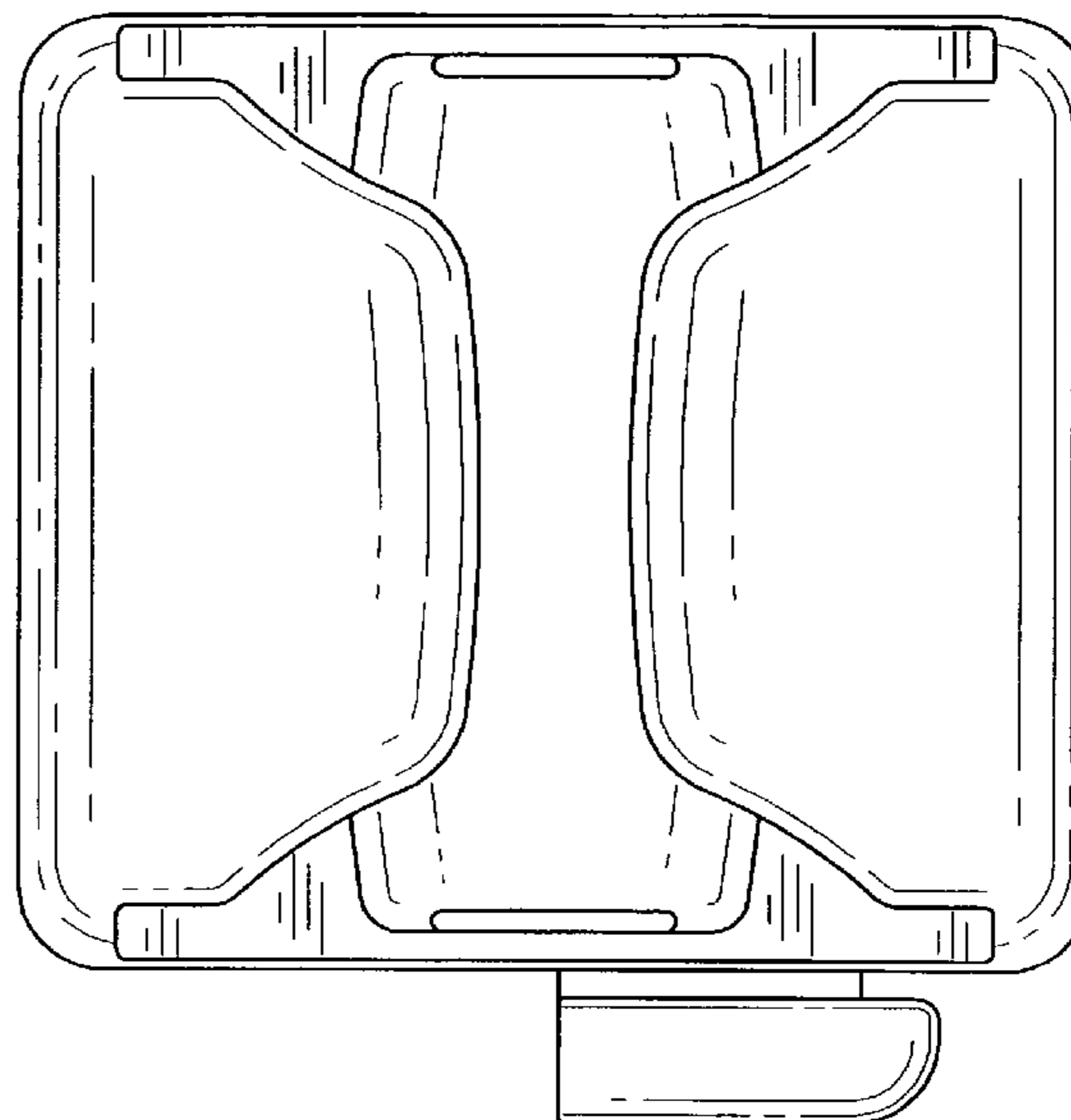
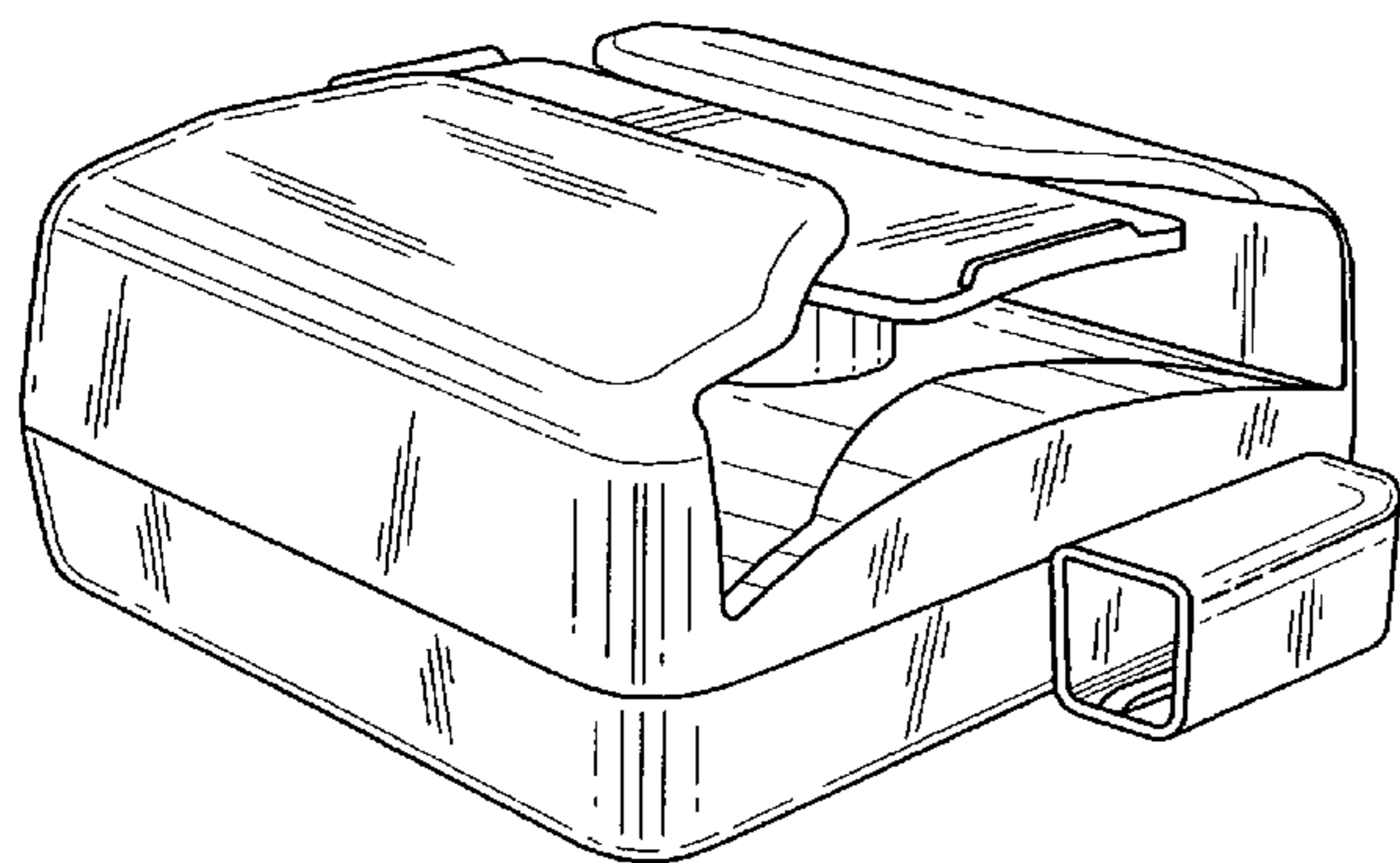
FIG. 6 is a left side elevational view thereof;

FIG. 7 is a right side elevational thereof; and,

FIG. 8 is a front perspective view thereof showing the notes dispenser retaining notes.

The broken lines showing notes in FIG. 8 are included for the purpose of illustrating environment and form no part of the claimed design.

1 Claim, 7 Drawing Sheets



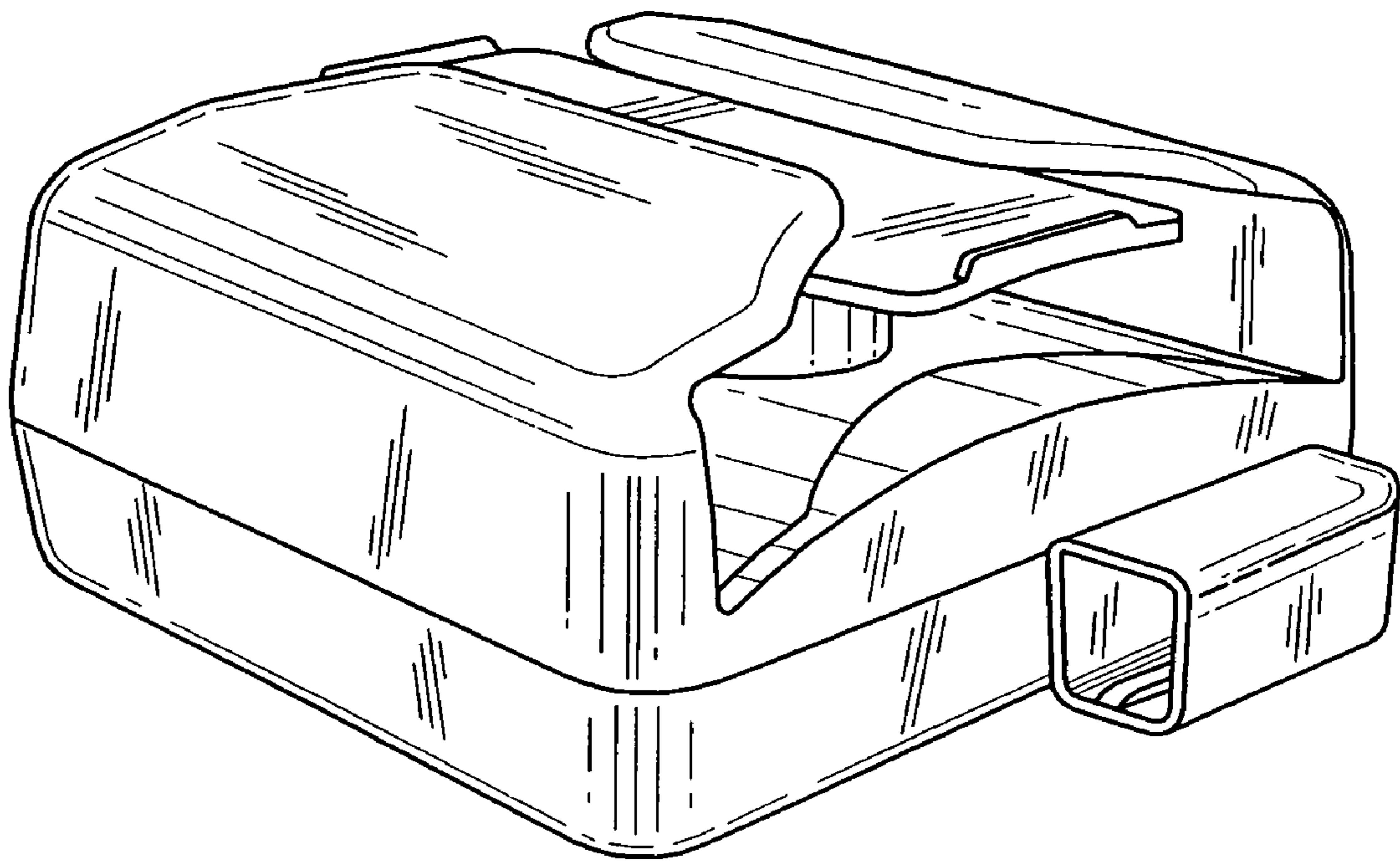


FIG. 1

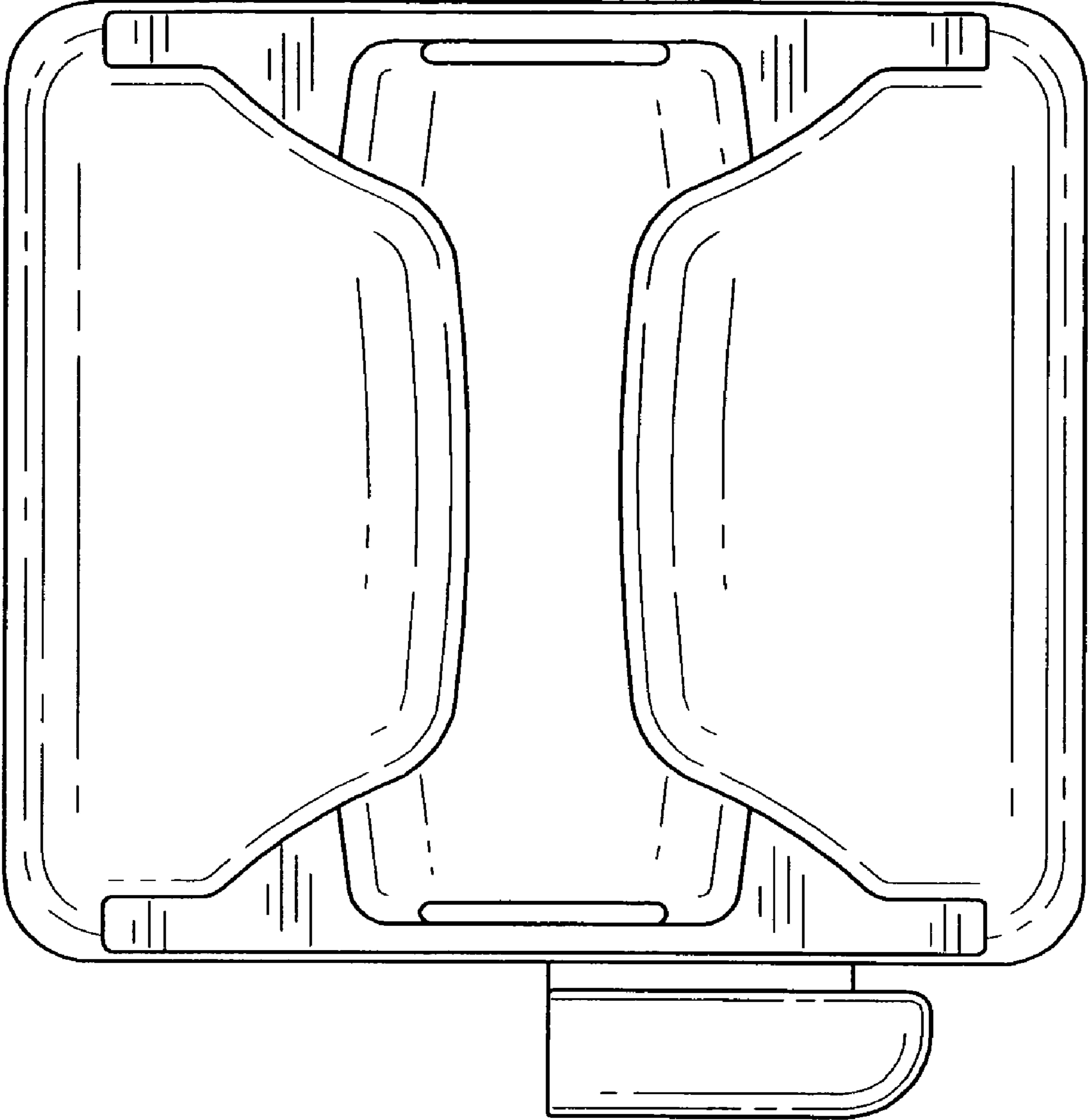


FIG. 2

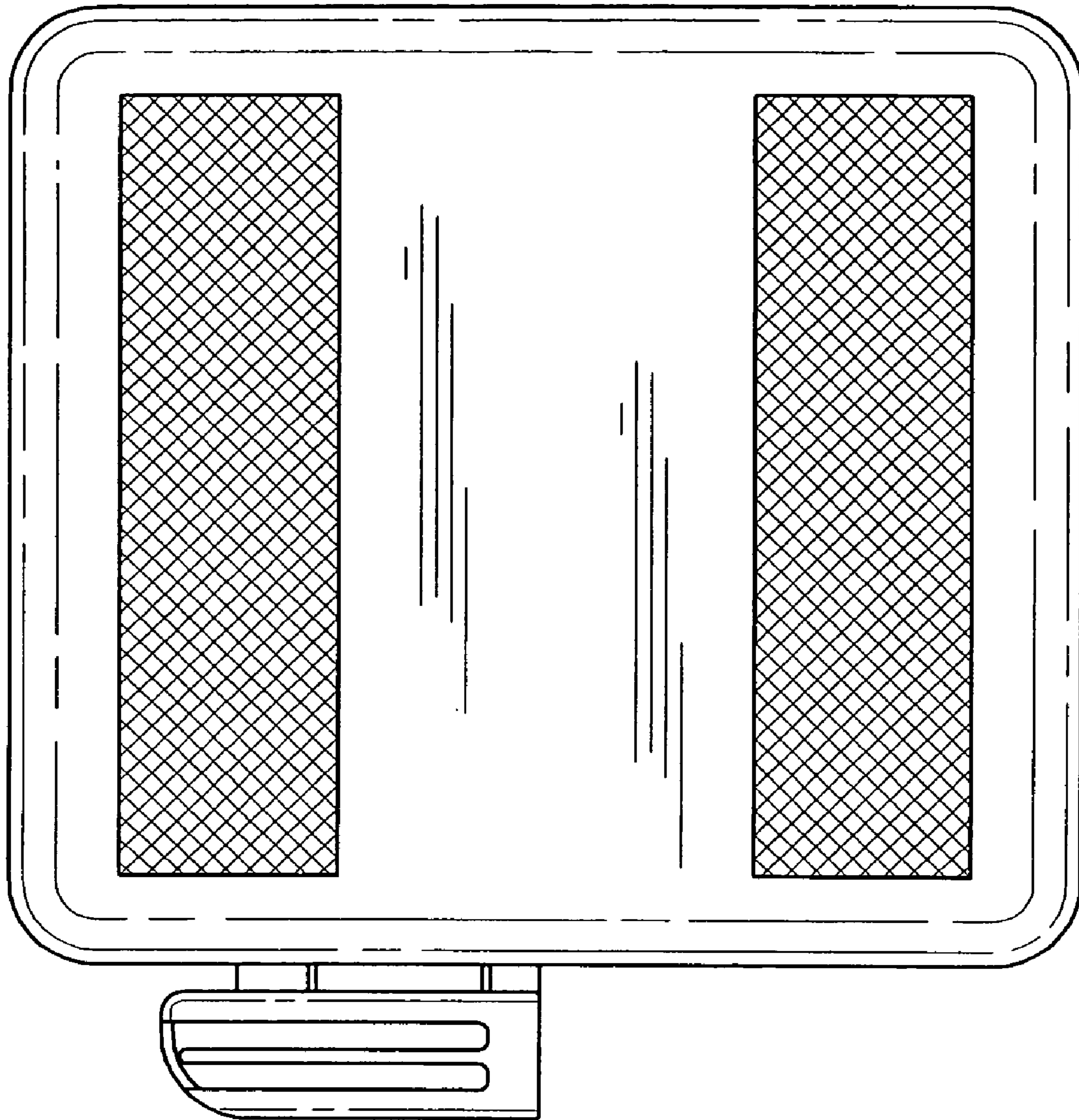


FIG. 3

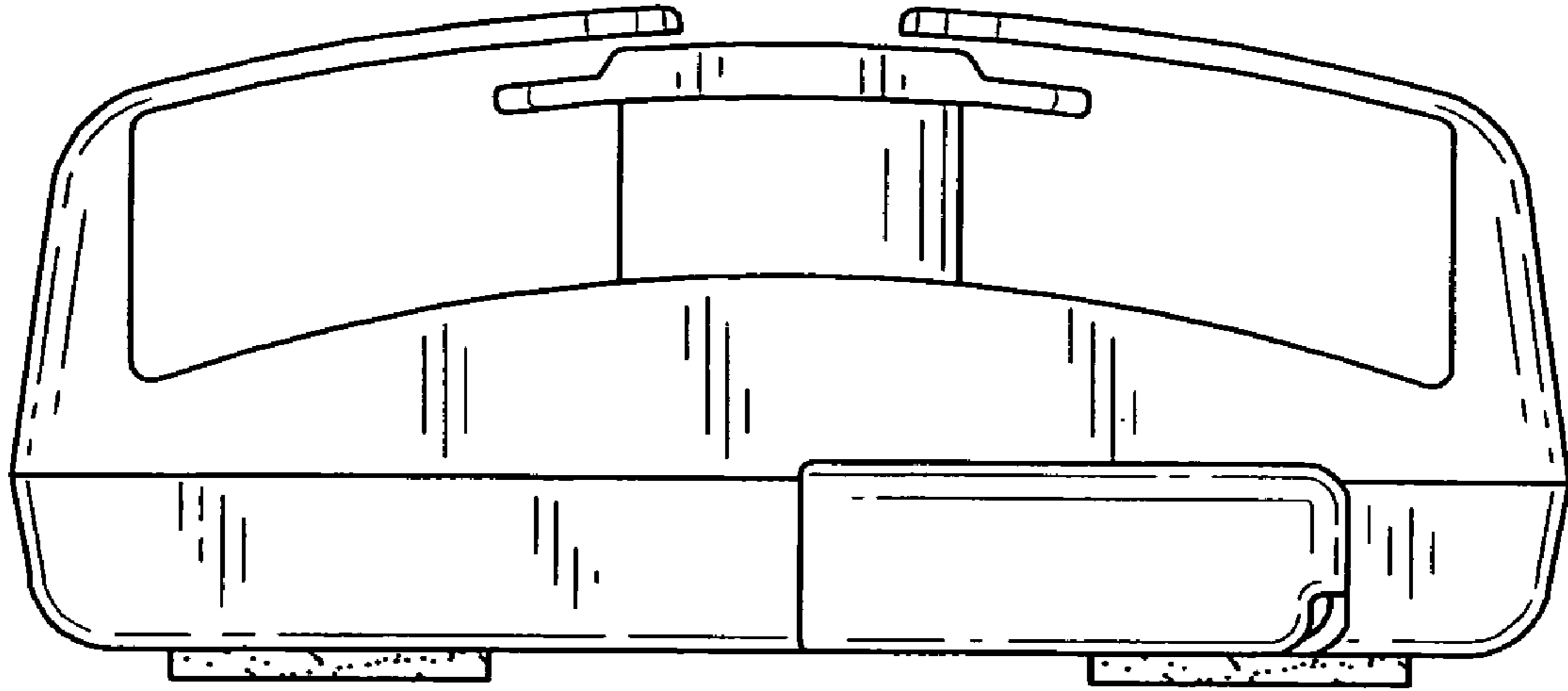


FIG. 4

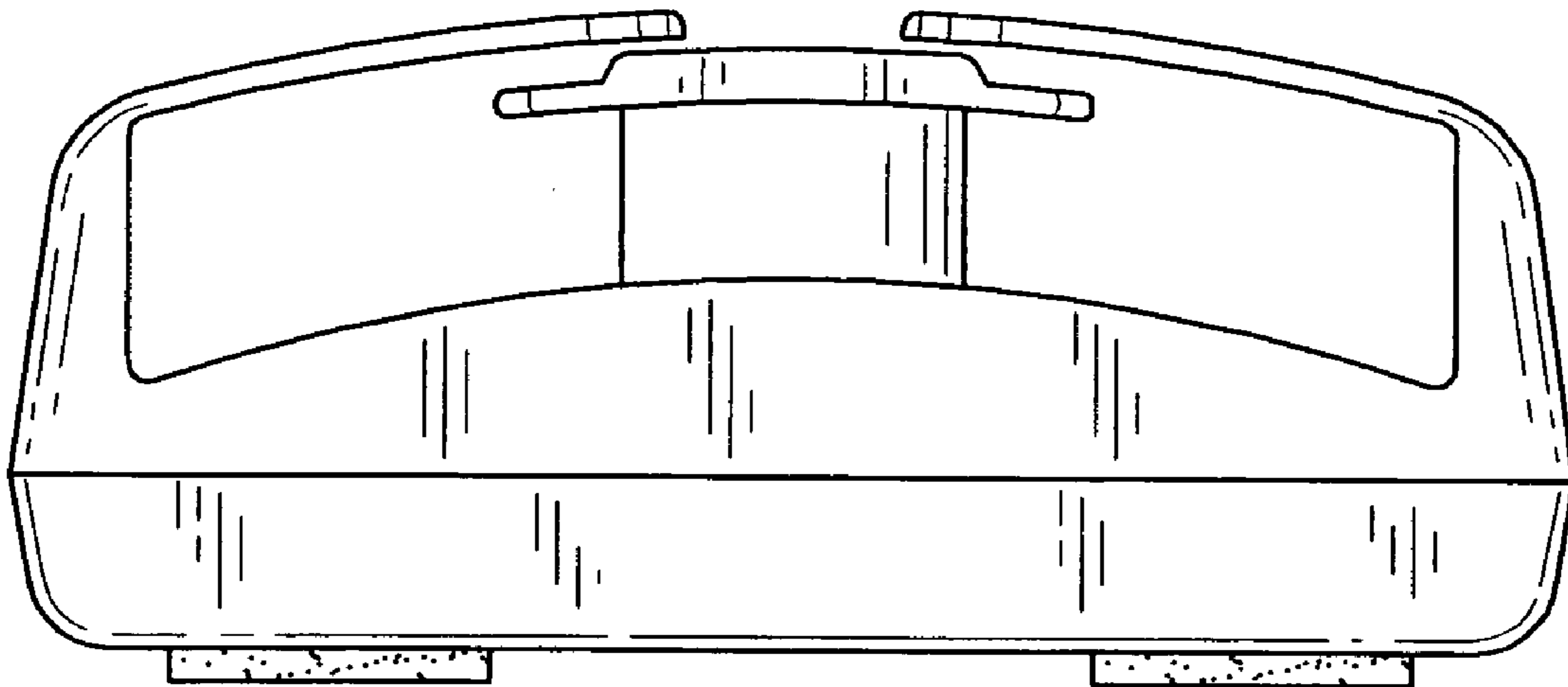


FIG. 5

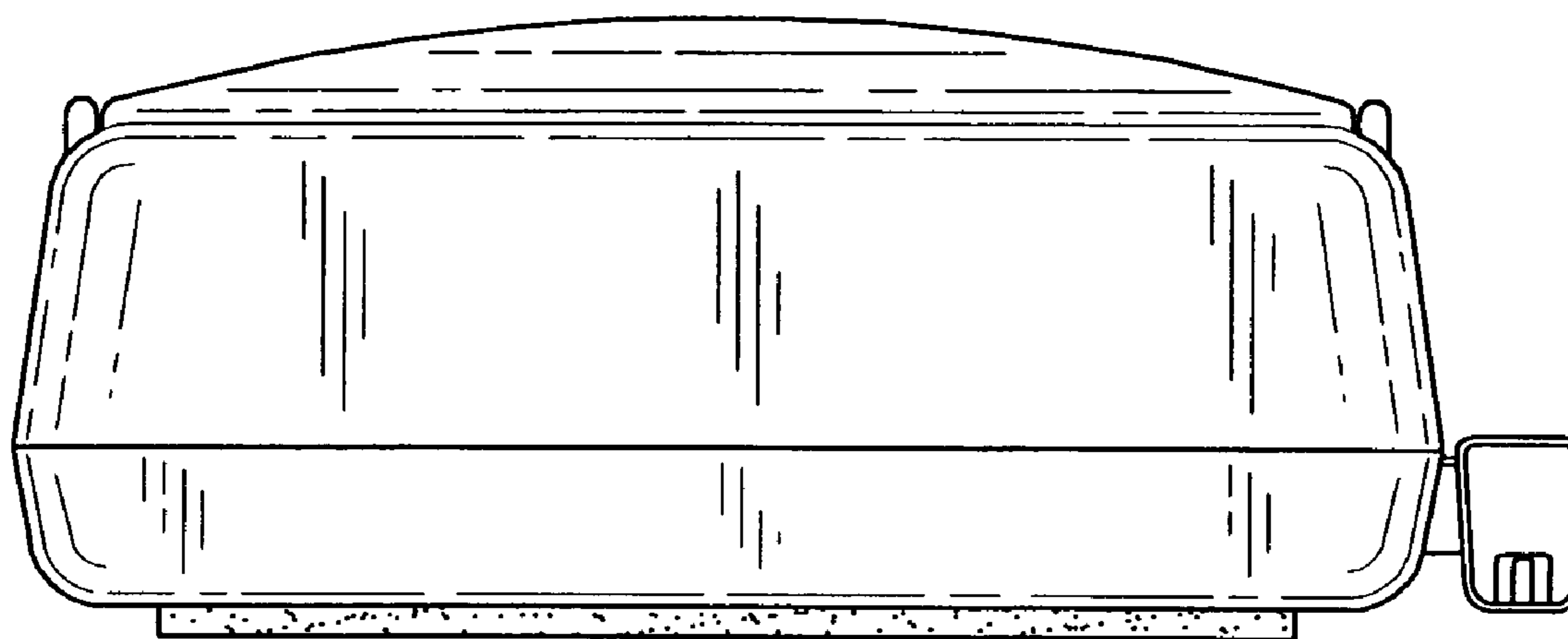


FIG. 6

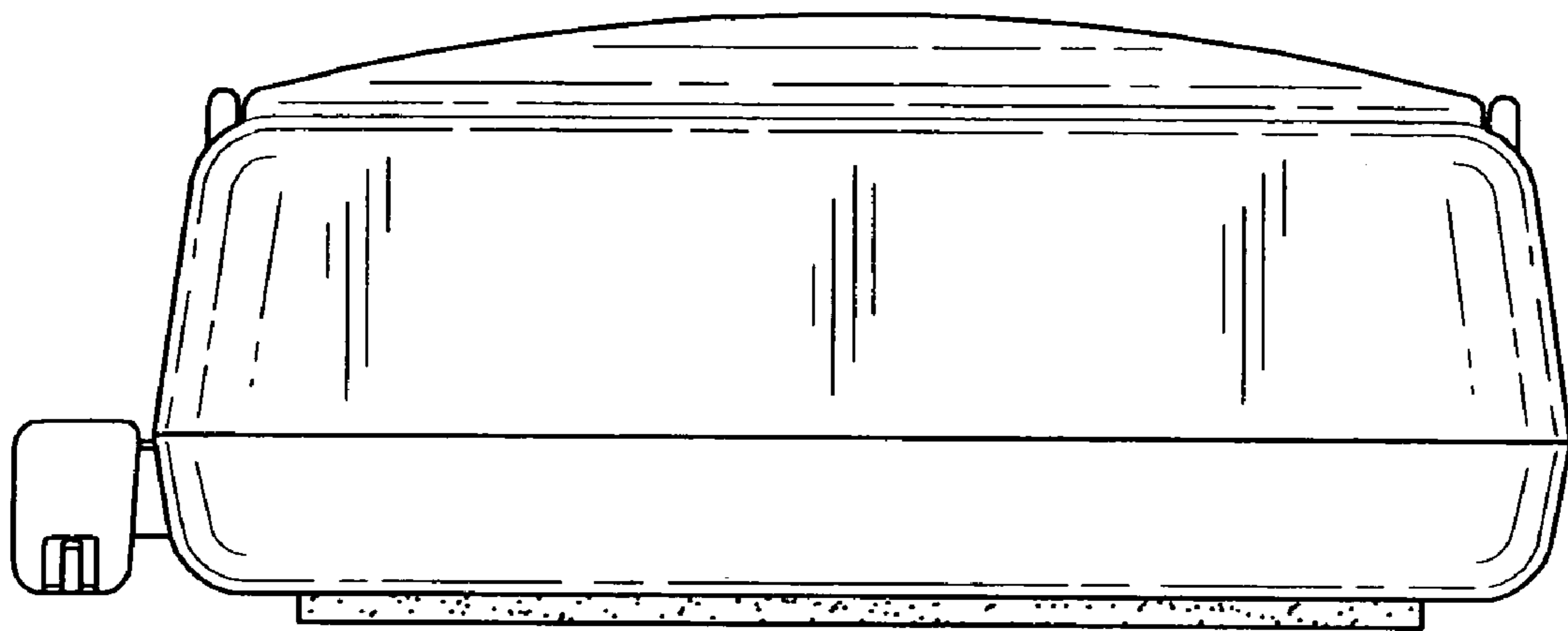


FIG. 7

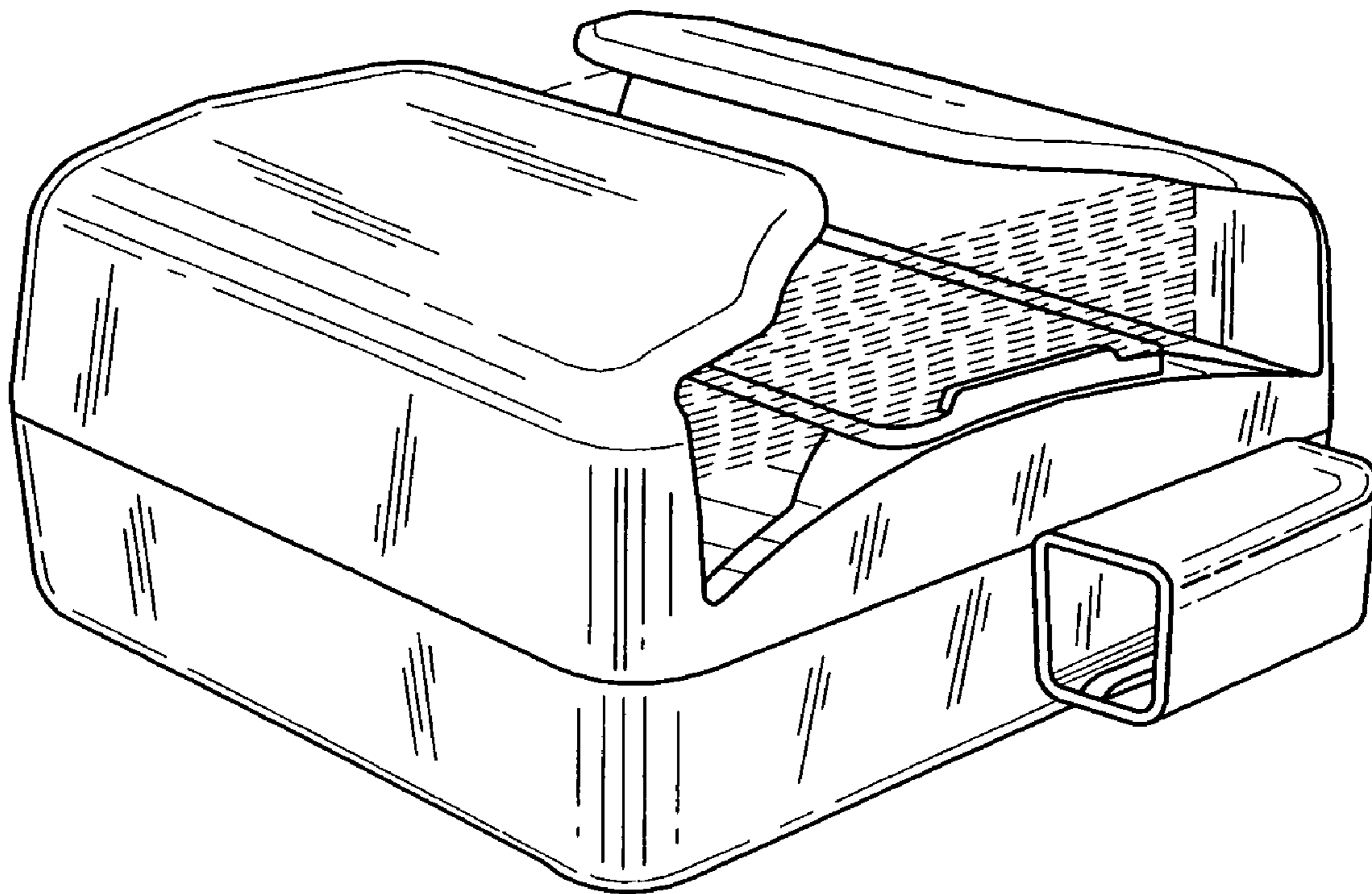


FIG. 8