



US00D551713S

(12) **United States Design Patent**
Schmidt

(10) **Patent No.:** **US D551,713 S**

(45) **Date of Patent:** **** Sep. 25, 2007**

(54) **PEN CLIP ERASER AND HOLDER**

(76) Inventor: **Carl J. Schmidt**, 3574 Fox Ave. NE.,
Minerva, OH (US) 44657

(**) Term: **14 Years**

(21) Appl. No.: **29/240,555**

(22) Filed: **Oct. 14, 2005**

(51) **LOC (8) Cl.** **19-06**

(52) **U.S. Cl.** **D19/53; D19/54**

(58) **Field of Classification Search** D8/90,
D8/395, 396; D19/35, 53, 54; D32/40; 15/3.53,
15/104.92, 105.51, 105.52, 118, 210, 231,
15/424, 425, 427-430, 433-435; 24/10 R,
24/11 FE, 11 PP, 11 CC, 11 CT, 11 S, 11 F,
24/3.12; 211/69.1-69.9; 401/49, 52, 88,
401/131, 195; 451/523

See application file for complete search history.

(56) **References Cited**

U.S. PATENT DOCUMENTS

637,889	A *	11/1899	Parker	281/30
779,894	A *	1/1905	Wetzel	15/105.53
1,266,283	A *	5/1918	Larsen	401/20
1,550,770	A *	8/1925	Akira	15/428
D182,341	S *	3/1958	Pitcher	D19/81
3,075,498	A *	1/1963	Udcoff	401/8
3,318,224	A *	5/1967	Bohanon	454/228
3,929,345	A *	12/1975	Nasby et al.	280/813

D305,098	S *	12/1989	Crowle et al.	D8/395
D311,421	S *	10/1990	Mardock	D19/55
D398,644	S *	9/1998	Krapf	D19/53
5,820,095	A *	10/1998	Stone	248/316.7
6,056,468	A *	5/2000	Niewiadomski	401/195
D478,630	S *	8/2003	Riggins	D19/83
6,634,126	B2 *	10/2003	Ruffino	40/658
7,101,103	B1 *	9/2006	Dietz	401/195

* cited by examiner

Primary Examiner—Elizabeth A. Albert

(74) *Attorney, Agent, or Firm*—Renner Kenner Greive
Bobak Taylor & Weber

(57) **CLAIM**

The ornamental design for a pen clip eraser and holder, as shown and described.

DESCRIPTION

FIG. 1 is a perspective view of a pen clip eraser and holder showing my new design;

FIG. 2 is an end elevational view, the opposite end elevational view being a mirror image thereof;

FIG. 3 is a top view thereof; and,

FIG. 4 is a bottom view thereof.

The broken lines showing environment in FIG. 1 are shown for illustrative purposes only and form no part of the claimed design.

1 Claim, 1 Drawing Sheet

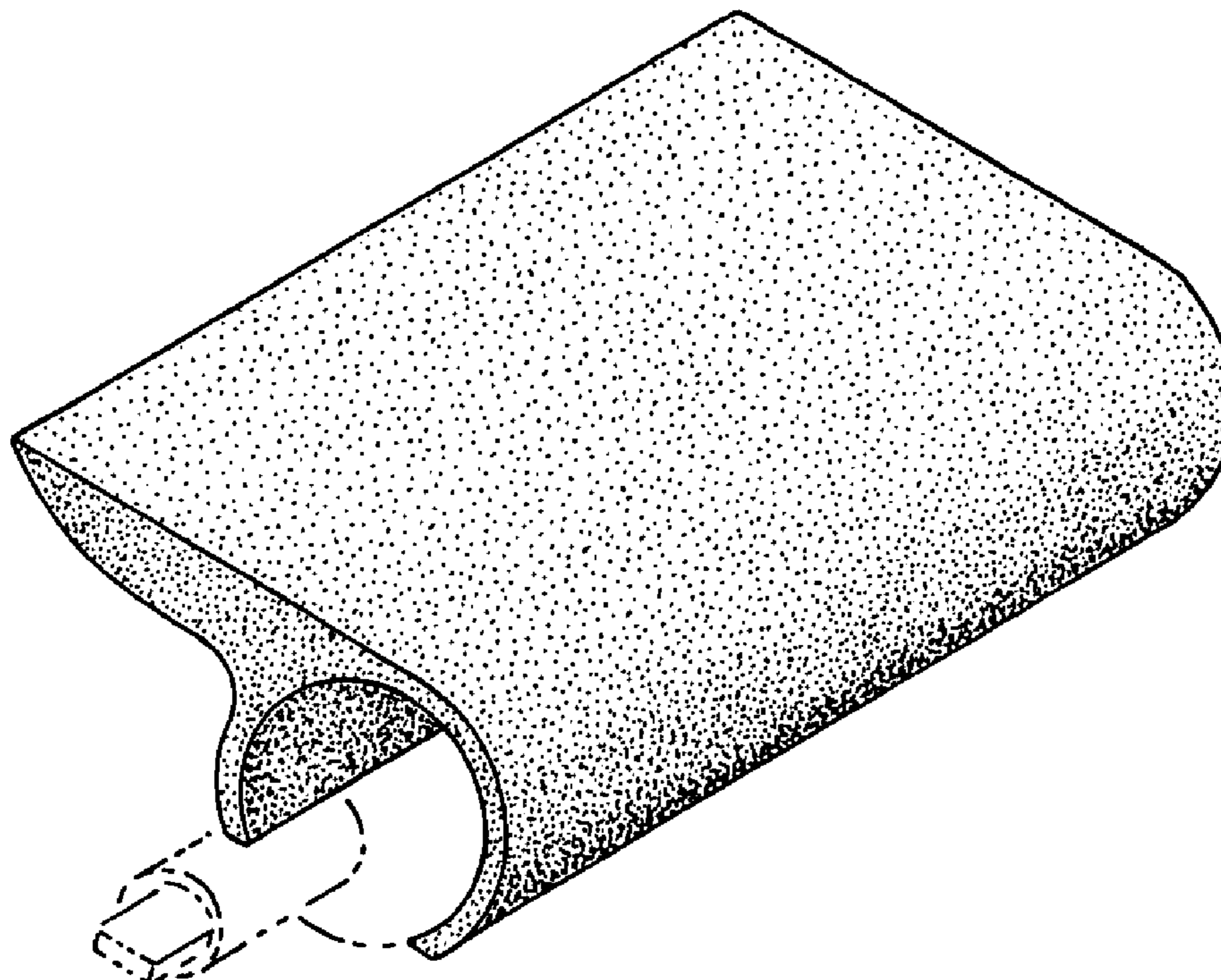


FIG. - 1

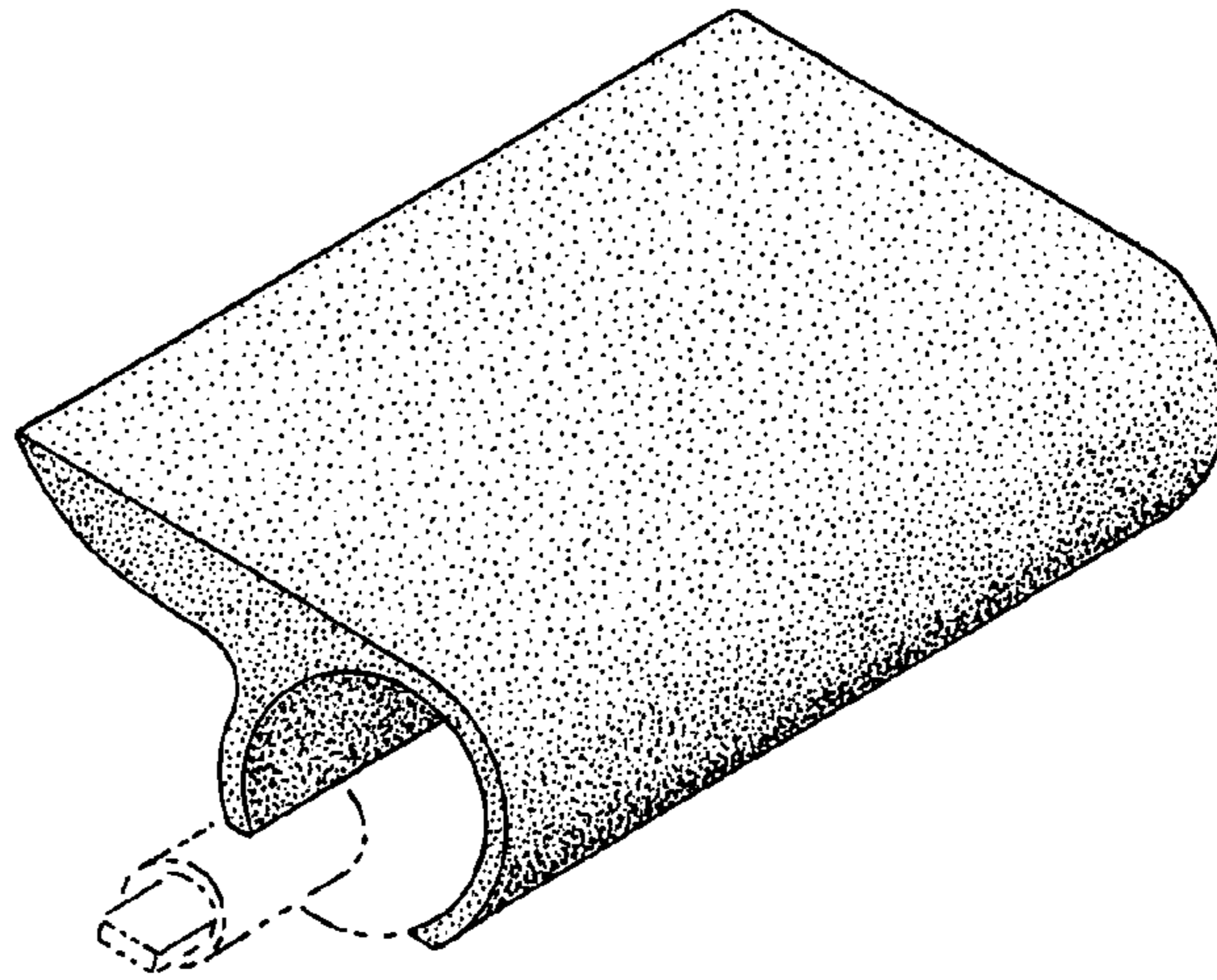


FIG. - 2

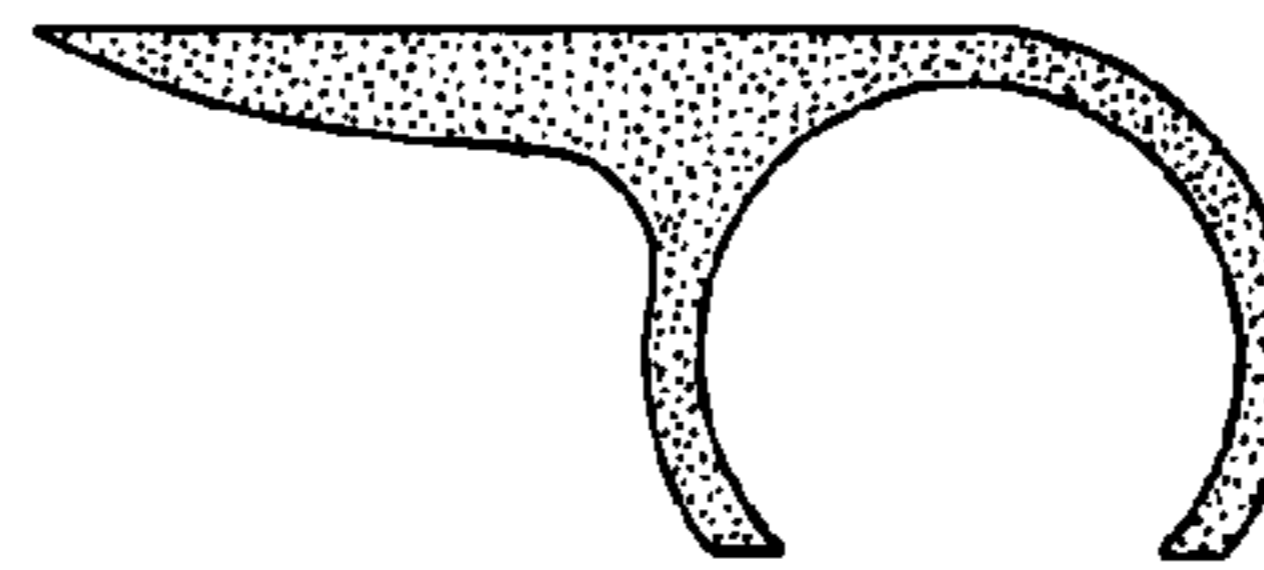


FIG. - 3

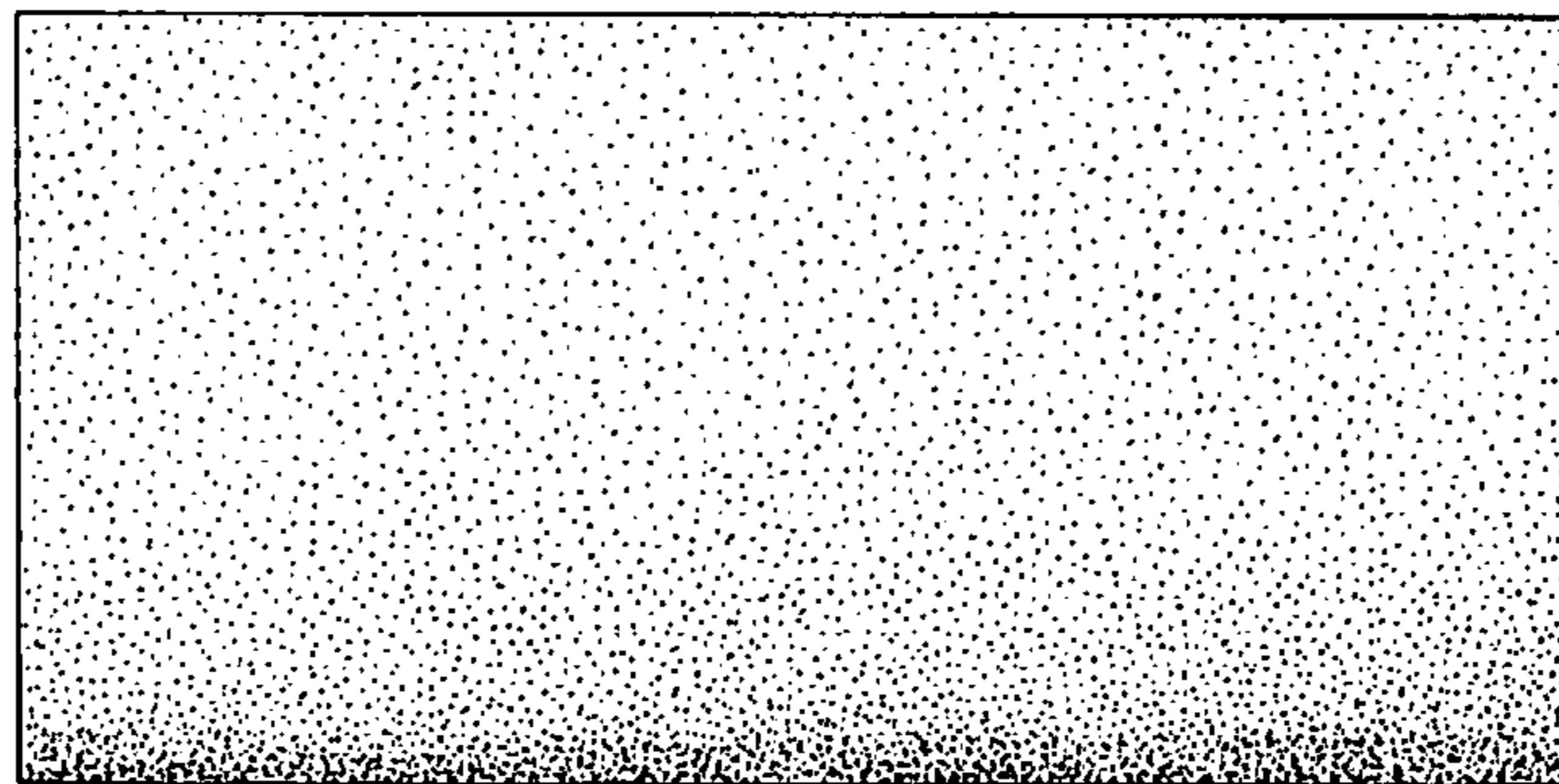


FIG. - 4

