



US00D551712S

(12) **United States Design Patent**
Bui et al.

(10) **Patent No.:** **US D551,712 S**

(45) **Date of Patent:** **** Sep. 25, 2007**

(54) **MOUSE TOUCH ROLLER PENCIL**

D478,625 S * 8/2003 Yeh D19/43
D493,834 S * 8/2004 Yeh D19/49
D499,447 S * 12/2004 Hui-Kuo D19/36

(75) Inventors: **Cuong Phu Bui**, Agoura, CA (US);
Jack McGrath, Malibu, CA (US)

* cited by examiner

(73) Assignee: **Jakks Pacific, Inc.**, Malibu, CA (US)

Primary Examiner—Elizabeth A. Albert

(**) Term: **14 Years**

(74) *Attorney, Agent, or Firm*—Tope-McKay & Associates

(21) Appl. No.: **29/242,875**

(57) **CLAIM**

(22) Filed: **Nov. 15, 2005**

The ornamental design for a mouse touch roller pencil, as shown.

(51) **LOC (8) Cl.** **19-06**

(52) **U.S. Cl.** **D19/51**

(58) **Field of Classification Search** D19/35,
D19/36, 41-51, 54-57; 24/11 R, 11 F, 11 P;
401/52, 99, 100, 104, 105, 106, 107, 108,
401/109, 192, 195, 196

See application file for complete search history.

DESCRIPTION

(56) **References Cited**

U.S. PATENT DOCUMENTS

3,830,404 A * 8/1974 Frazer 222/78
D310,249 S * 8/1990 LaLonde D19/43
D328,919 S * 8/1992 Bulgari D19/51
6,146,038 A * 11/2000 Mittersinker et al. 401/6

FIG. 1 is a front perspective view of a mouse touch roller pencil showing my new design;

FIG. 2 is a front view thereof;

FIG. 3 is a back view thereof;

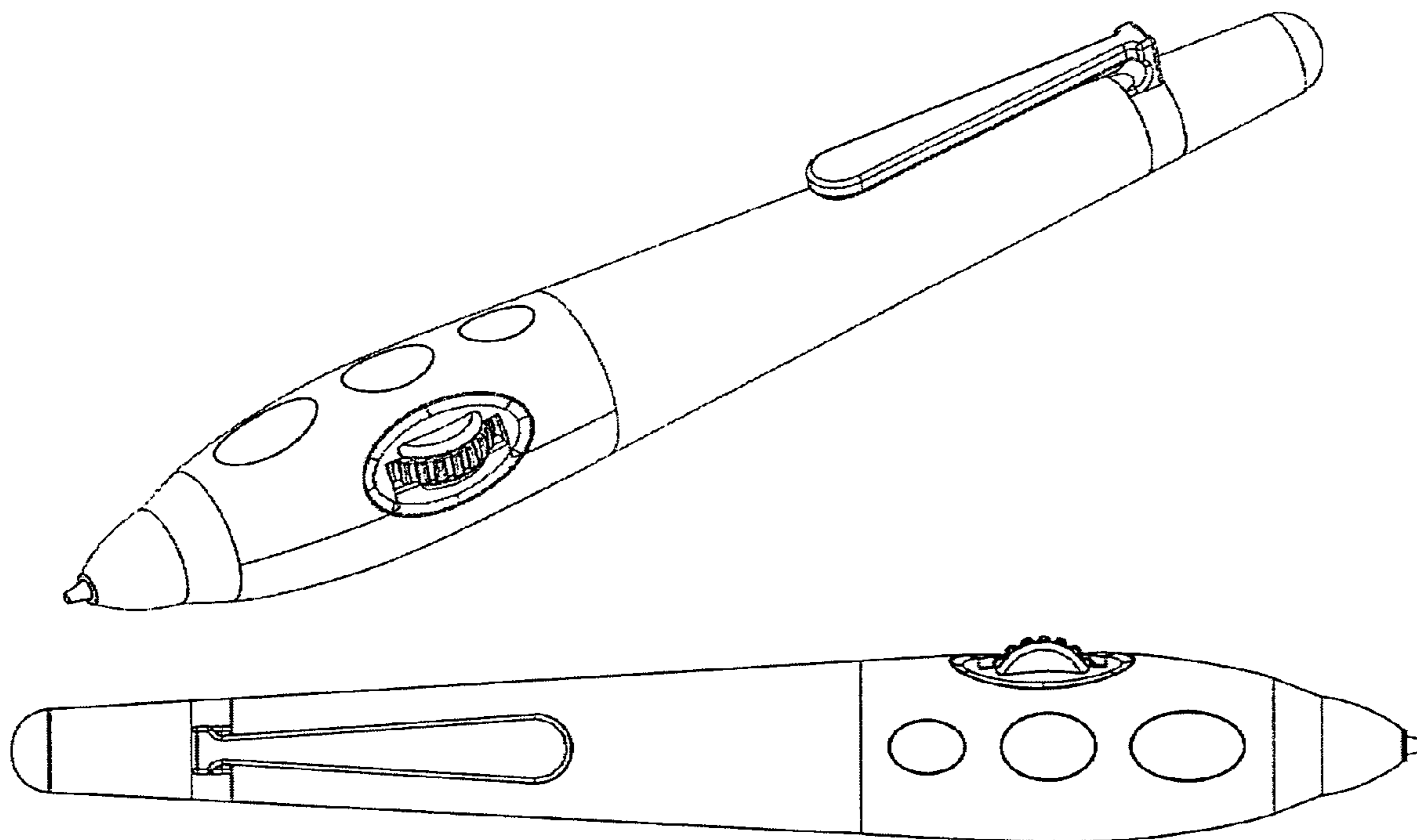
FIG. 4 is a left side view thereof;

FIG. 5 is a right side view thereof;

FIG. 6 is a top view thereof; and,

FIG. 7 is a bottom view thereof.

1 Claim, 7 Drawing Sheets



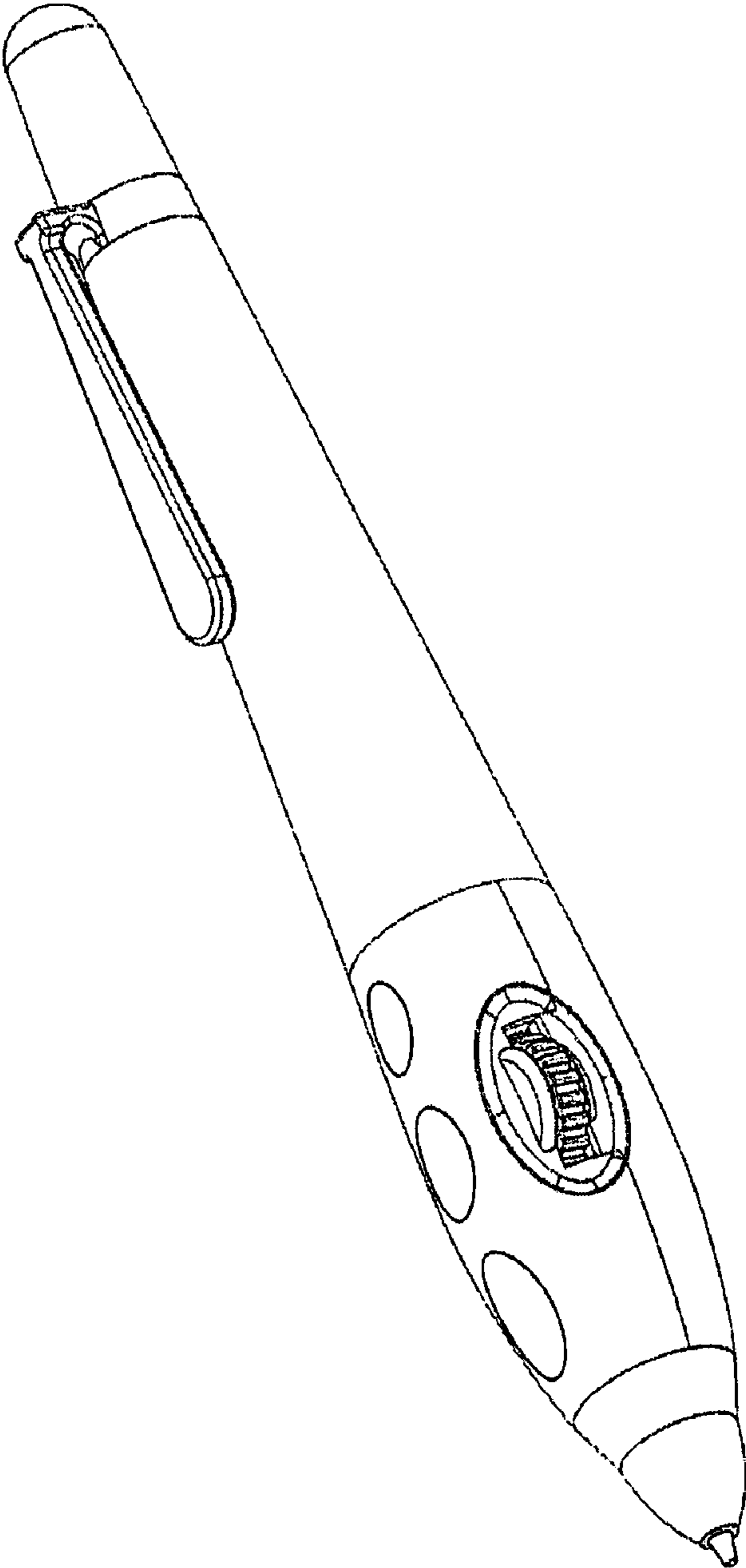


FIG. 1

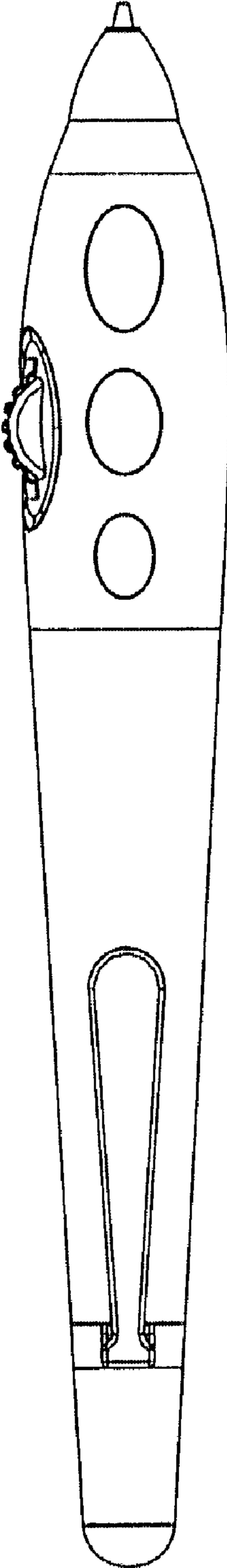


FIG. 2

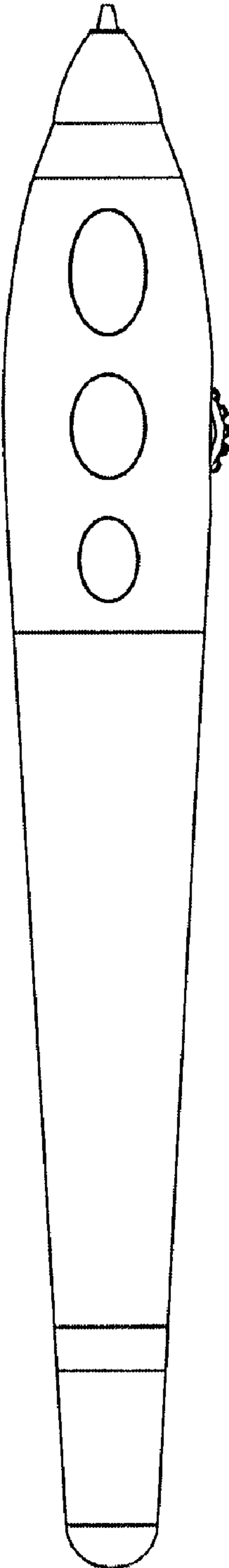


FIG. 3

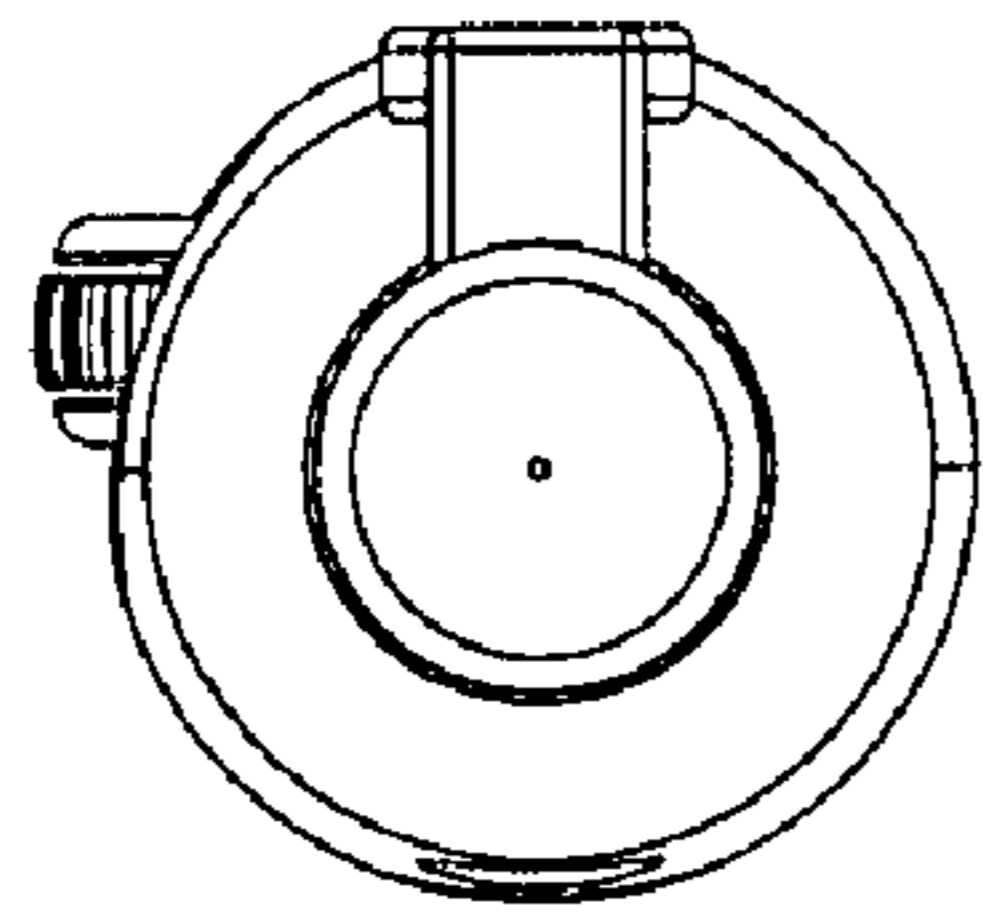


FIG. 4

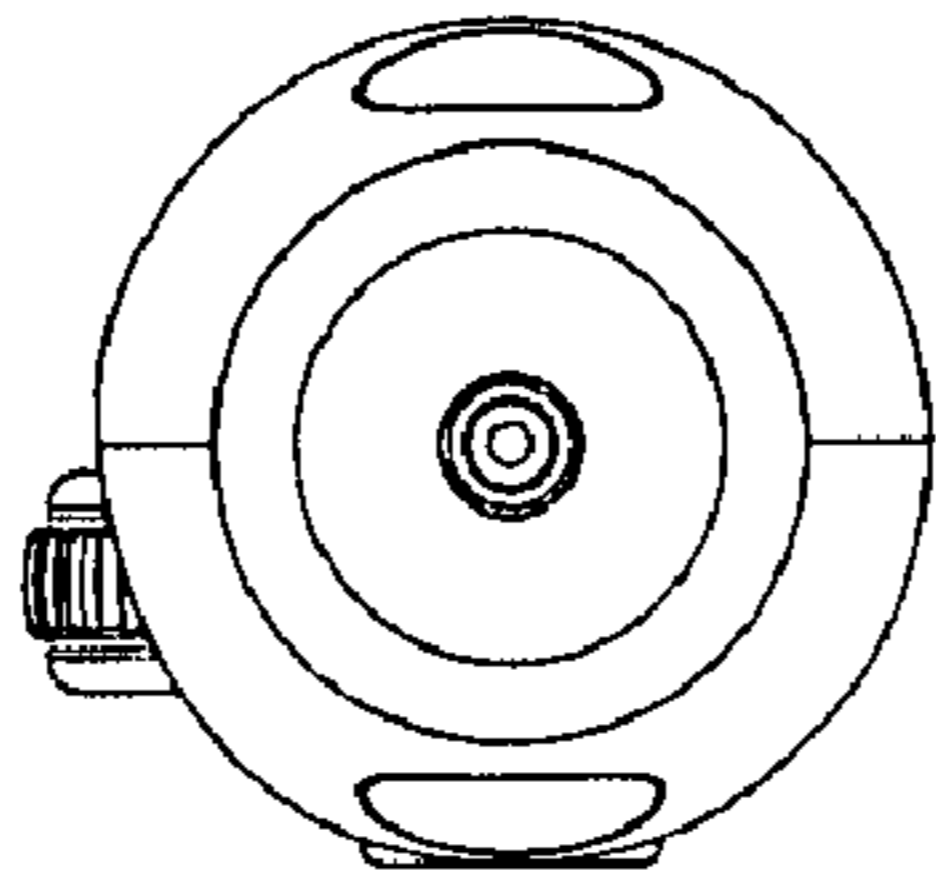


FIG. 5

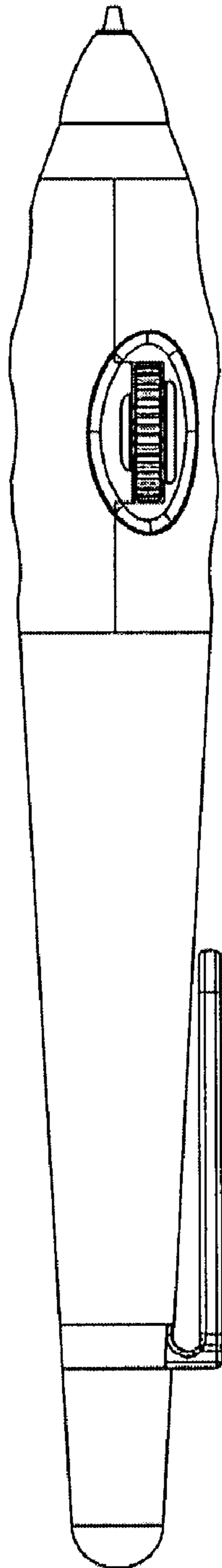


FIG. 6

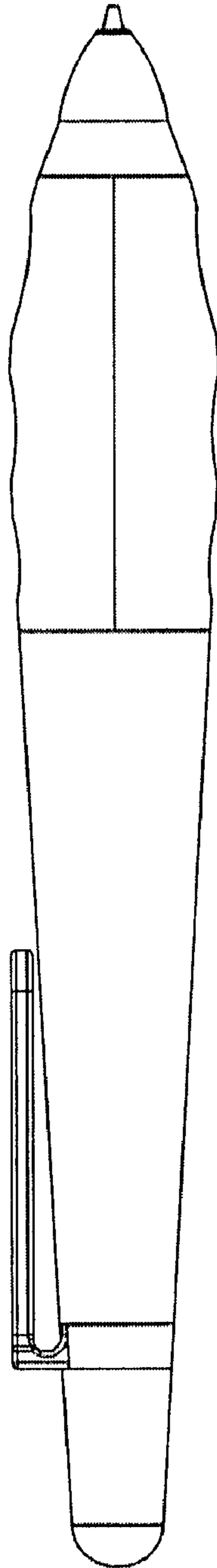


FIG. 7