



US00D551691S

(12) **United States Design Patent** (10) **Patent No.:** **US D551,691 S**
Sakamaki et al. (45) **Date of Patent:** **** Sep. 25, 2007**

(54) **PROJECTOR**

(75) Inventors: **Isao Sakamaki**, Matsumoto (JP);
Wataru Suzuki, Shiojiri (JP);
Kiyomasa Shirakura, Matsumoto (JP);
Masayuki Okoshi, Matsumoto (JP)

(73) Assignee: **Seiko Epson Corporation**, Tokyo (JP)

(**) Term: **14 Years**

(21) Appl. No.: **29/263,898**

(22) Filed: **Aug. 1, 2006**

(30) **Foreign Application Priority Data**

Jun. 5, 2006 (JP) 2006-014383

(51) **LOC (8) Cl.** **16-02**

(52) **U.S. Cl.** **D16/230; D16/221; D16/225**

(58) **Field of Classification Search** D16/205,
D16/208, 213, 221, 225, 229, 230, 231, 234;
D21/514; 353/70, 100, 101, 115, 119, 122
See application file for complete search history.

(56) **References Cited**

U.S. PATENT DOCUMENTS

- D425,539 S * 5/2000 Fujii et al. D16/231
- D464,074 S * 10/2002 Miyazaki D16/230
- D470,525 S * 2/2003 Nakayama et al. D16/231
- D472,570 S * 4/2003 Takahashi D16/230
- D473,253 S * 4/2003 Shimamoto D16/231
- D475,729 S * 6/2003 Shiota et al. D16/230
- D479,261 S * 9/2003 Kawasaki et al. D16/230

- D480,410 S * 10/2003 Morishita et al. D16/230
- D503,733 S * 4/2005 Kurokawa D16/230
- D504,453 S * 4/2005 Junsu et al. D16/231
- D506,770 S * 6/2005 Saeki et al. D16/230

* cited by examiner

Primary Examiner—Ian Simmons

Assistant Examiner—W. Laymon

(74) *Attorney, Agent, or Firm*—Oliff & Berridge, PLC

(57) **CLAIM**

The ornamental design for a projector, as shown and described.

DESCRIPTION

FIG. 1 is a perspective view of a projector with a lens cover and lens cover control being illustrated in a closed position showing our new design;

FIG. 2 is a front view thereof;

FIG. 3 is a rear view thereof;

FIG. 4 is a left-side view thereof;

FIG. 5 is a right-side view thereof;

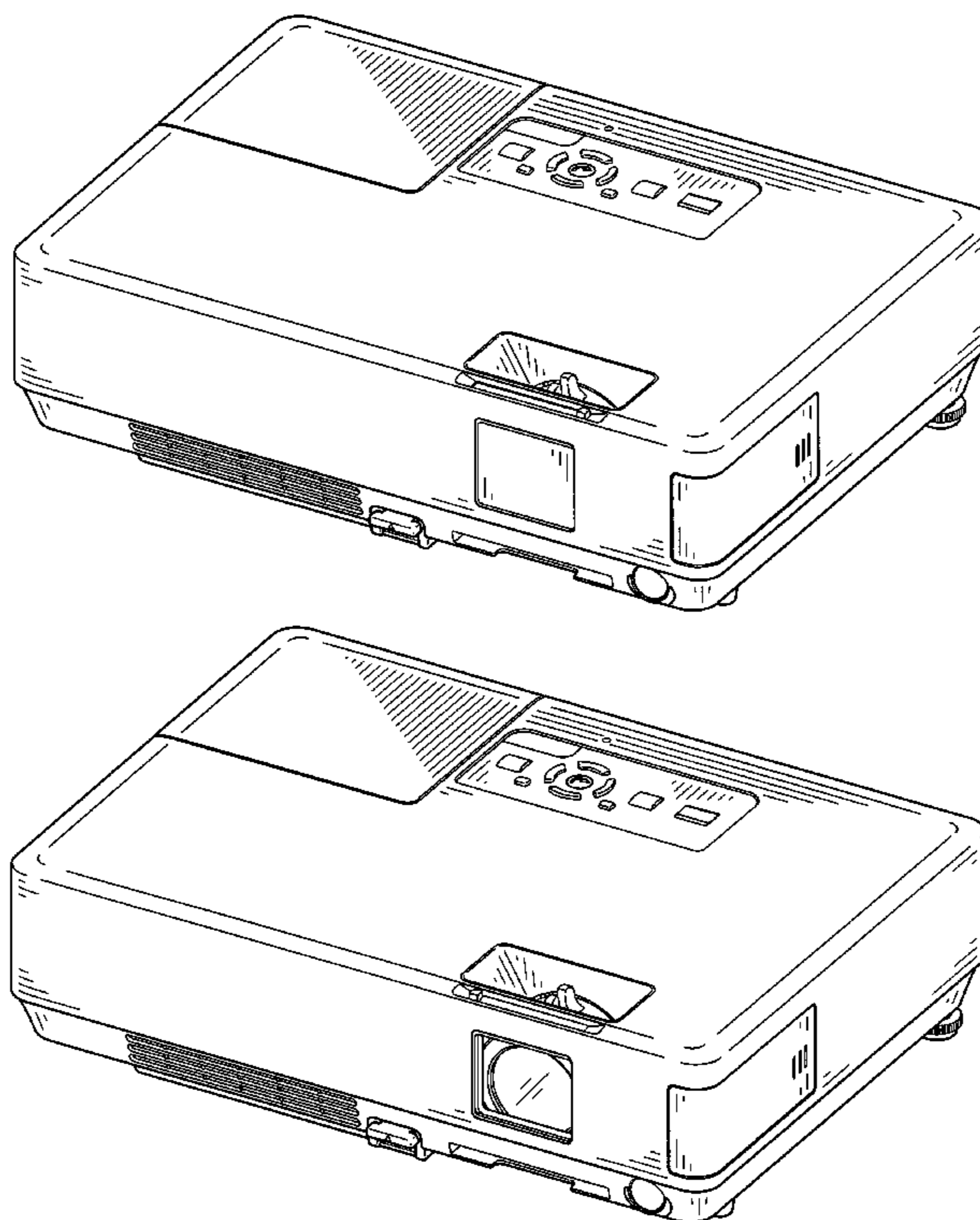
FIG. 6 is a top view thereof;

FIG. 7 is a bottom view thereof; and,

FIG. 8 is a perspective thereof, with the lens cover and the lens cover control shown in an open position.

The portions of the projector in broken lines are shown for illustrative purposes only and form no part of the claimed design.

1 Claim, 6 Drawing Sheets



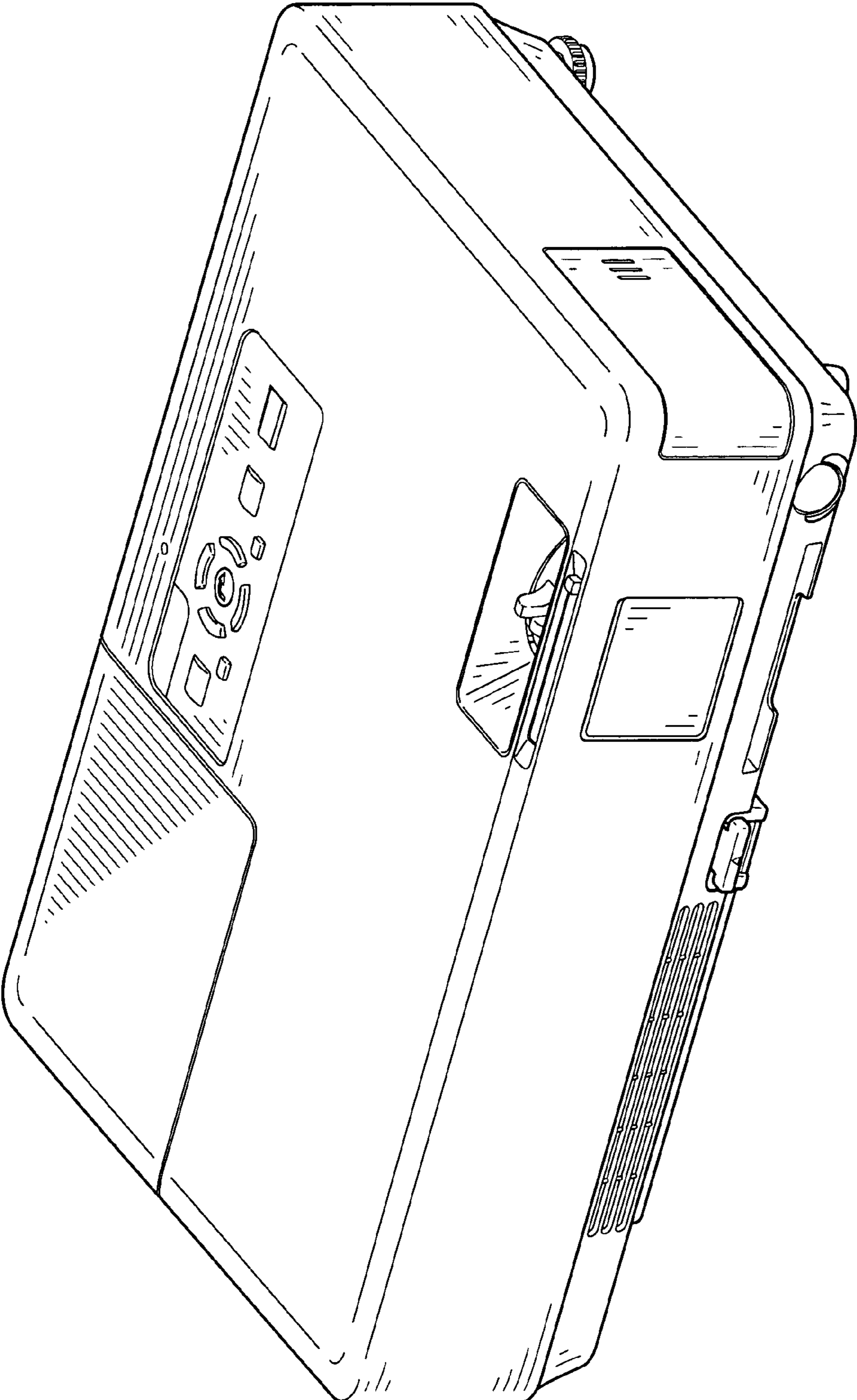


FIG. 1

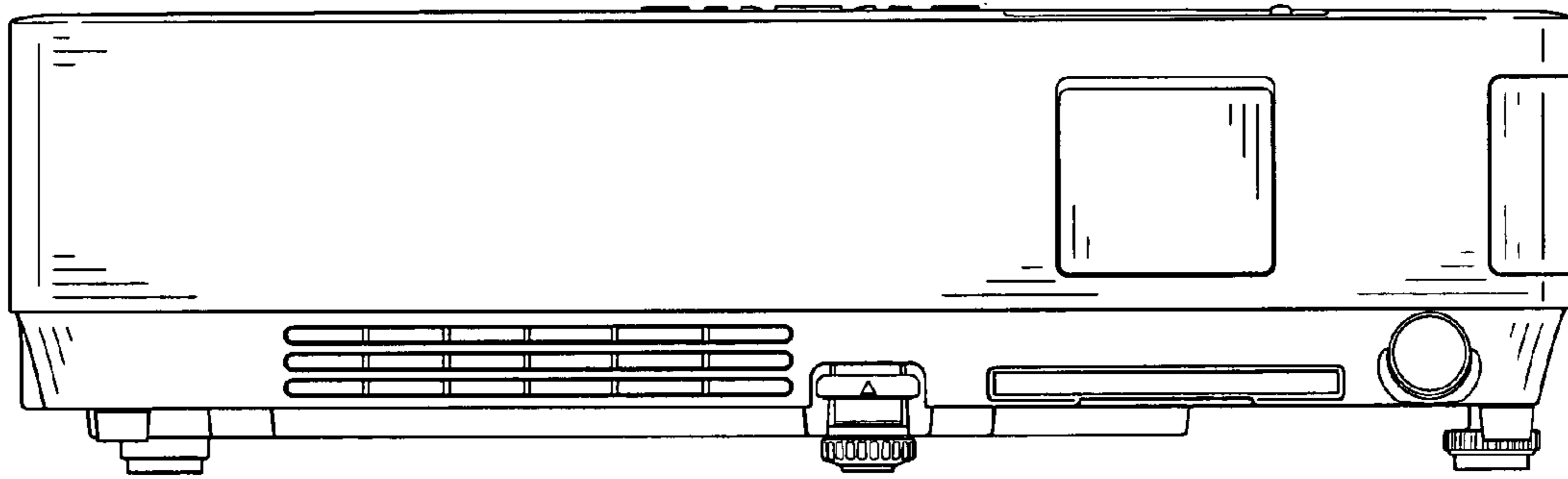


FIG. 2

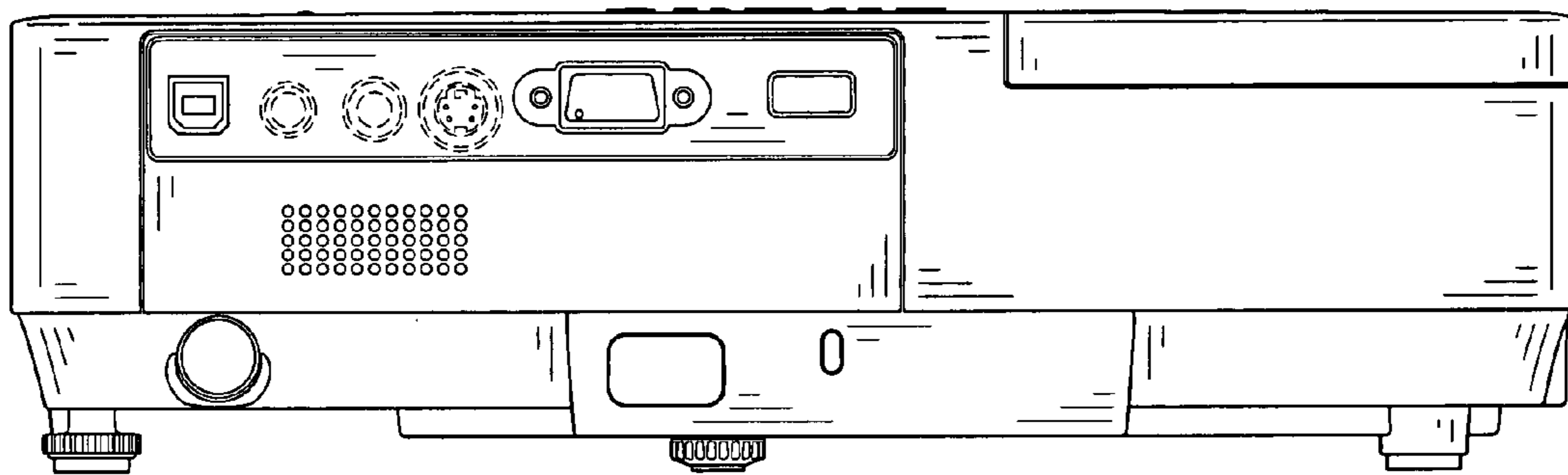


FIG. 3

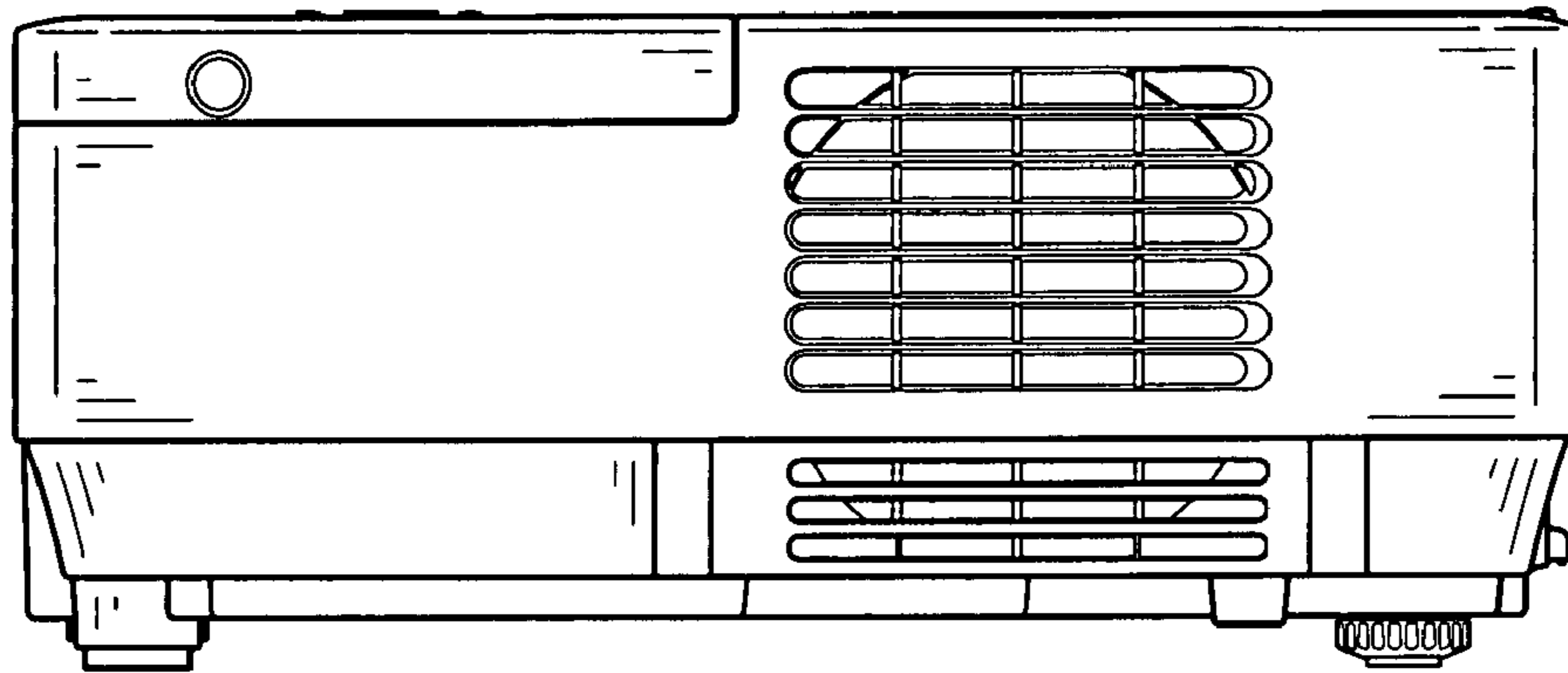


FIG. 4

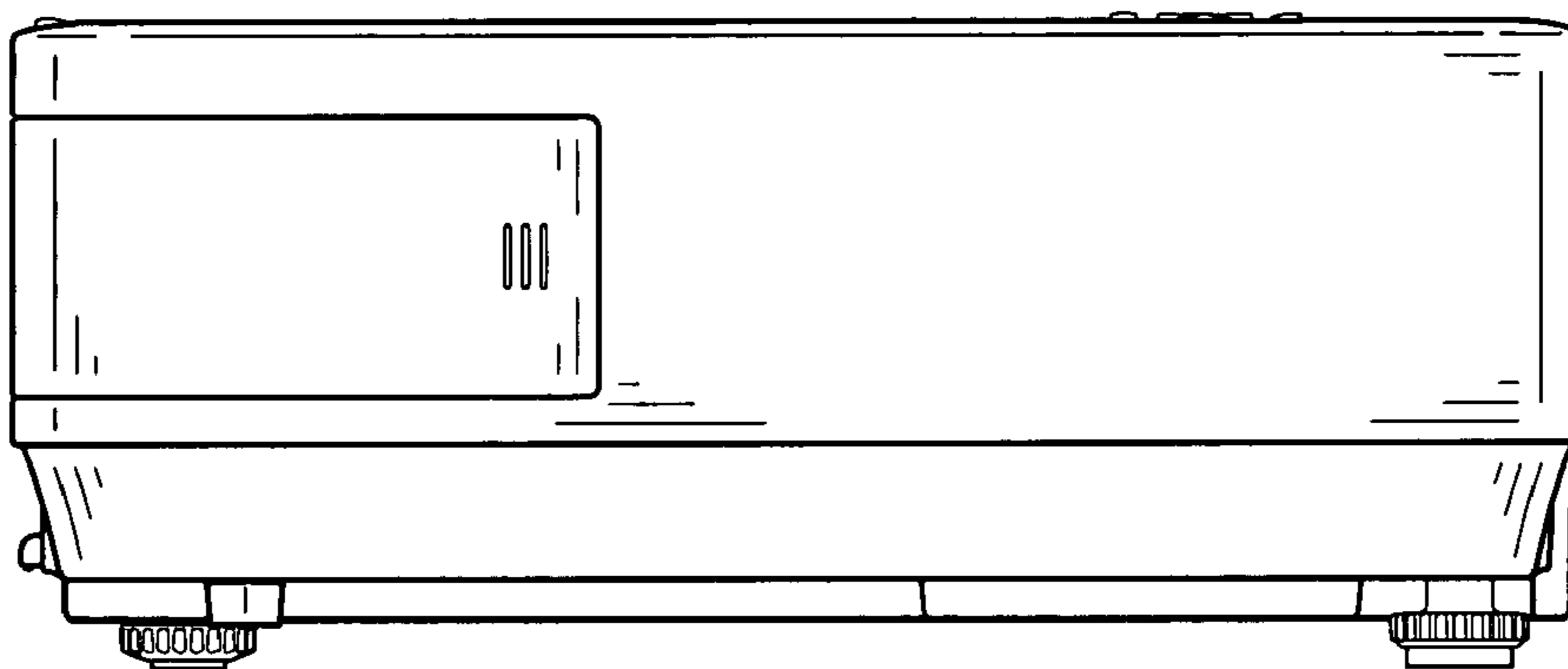


FIG. 5

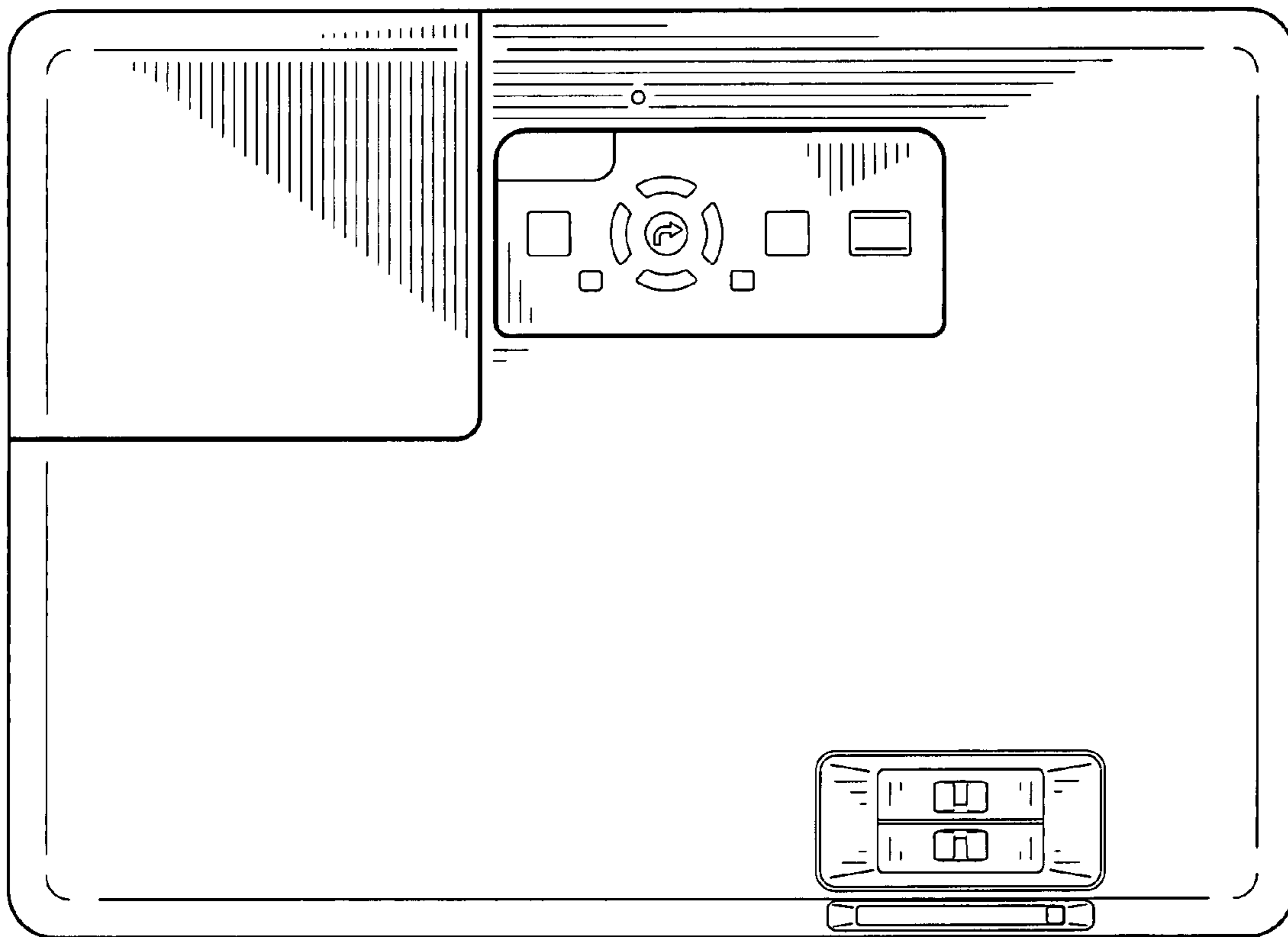


FIG. 6

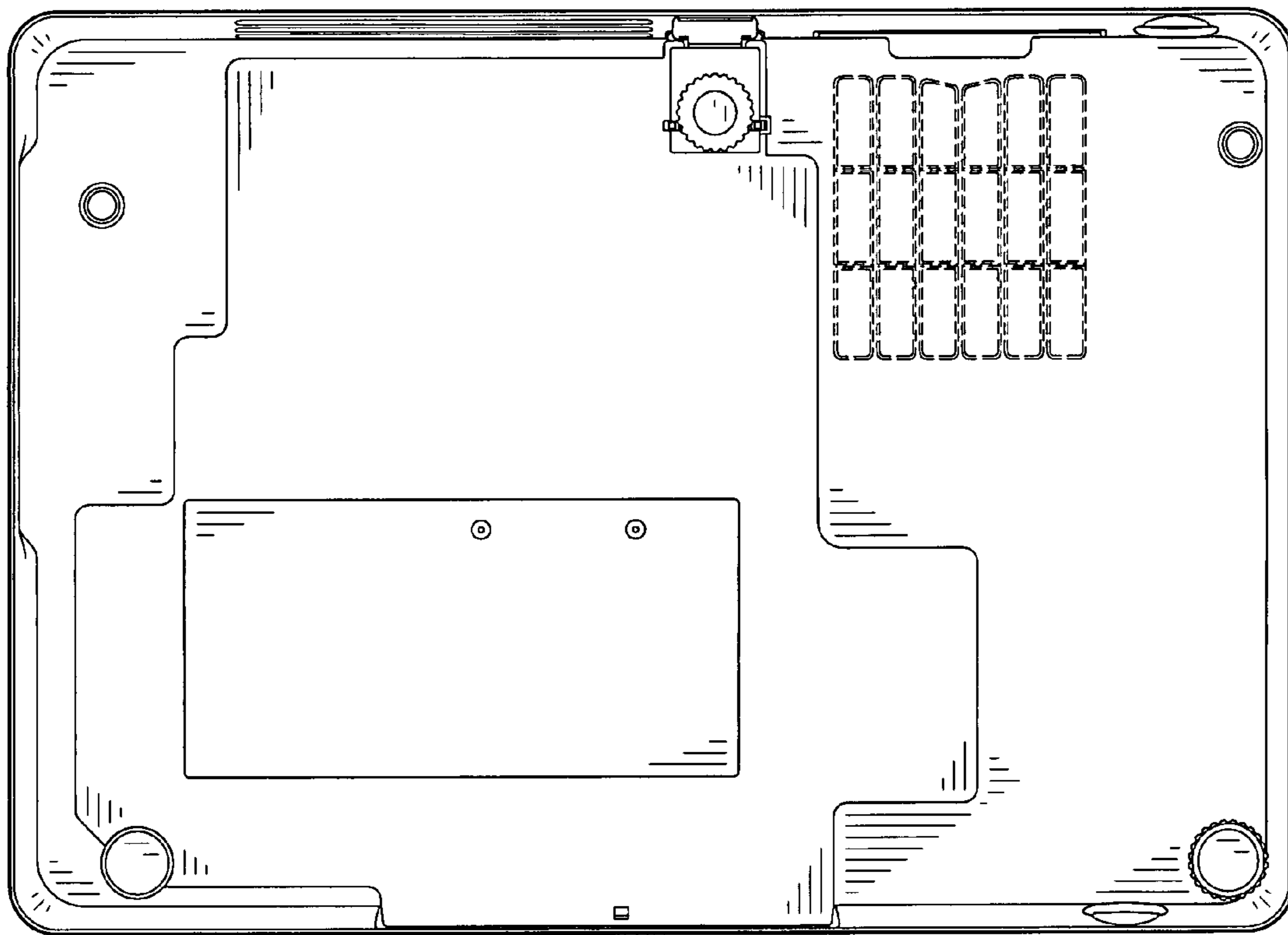


FIG. 7

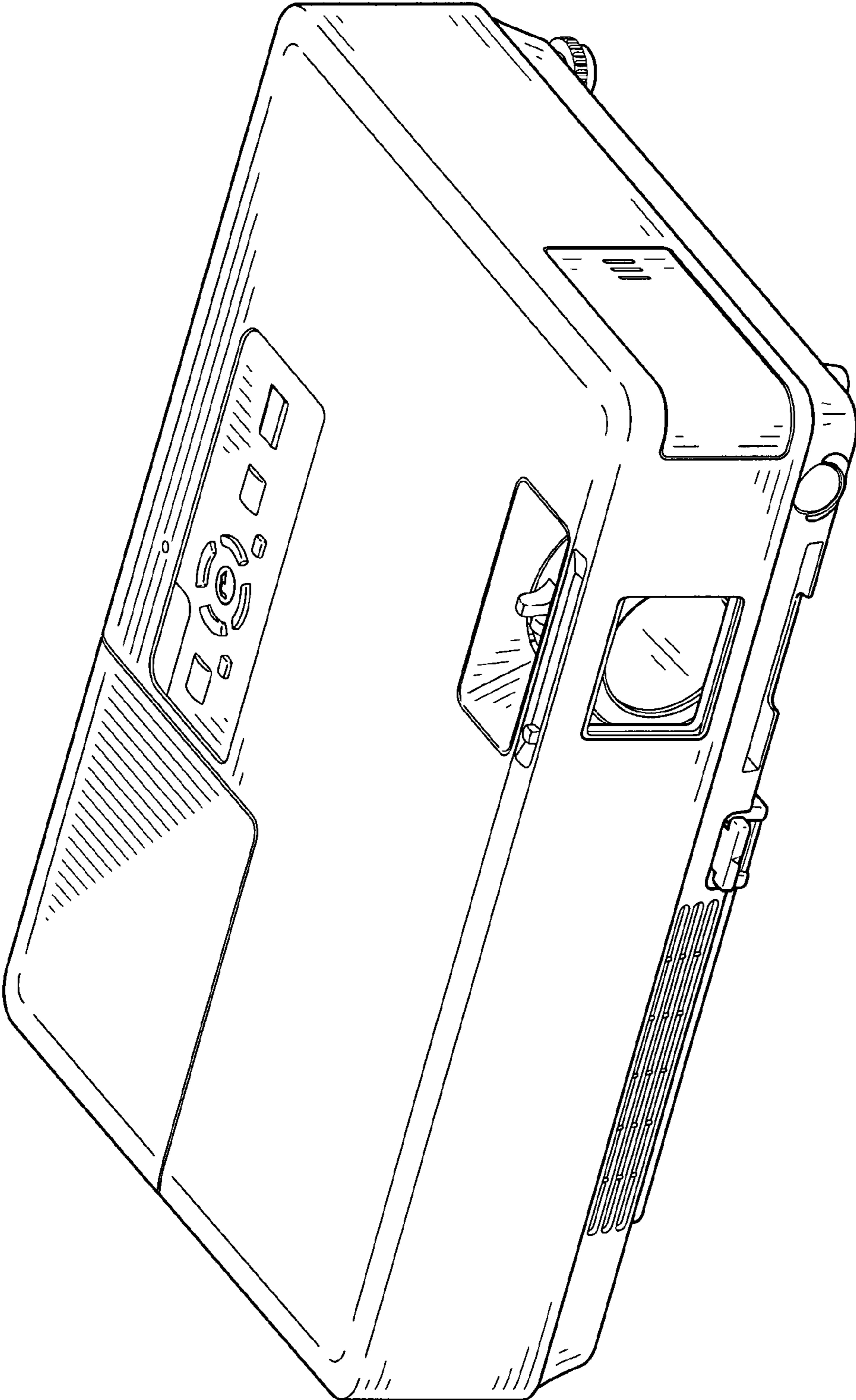


FIG. 8