



US00D551690S

(12) **United States Design Patent**  
**Kawabe et al.**

(10) **Patent No.:** **US D551,690 S**

(45) **Date of Patent:** **\*\* Sep. 25, 2007**

(54) **PROJECTOR**

(75) Inventors: **Genta Kawabe**, Nagano-ken (JP);  
**Wataru Suzuki**, Nagano-ken (JP);  
**Tsuyoshi Arai**, Nagano-ken (JP);  
**Hideki Takasuka**, Nagano-ken (JP)

(73) Assignee: **Seiko Epson Corporation**, Tokyo (JP)

(\*\*) Term: **14 Years**

(21) Appl. No.: **29/262,872**

(22) Filed: **Jul. 13, 2006**

(30) **Foreign Application Priority Data**

May 19, 2006 (JP) ..... 2006-012674  
May 19, 2006 (JP) ..... 2006-012675

(51) **LOC (8) Cl.** ..... **16-02**

(52) **U.S. Cl.** ..... **D16/230; D16/221; D16/225**

(58) **Field of Classification Search** ..... D16/205,  
D16/208, 213, 221, 225, 229, 230, 231, 234;  
D21/514; 353/70, 100, 101, 115, 119, 122  
See application file for complete search history.

(56) **References Cited**

**U.S. PATENT DOCUMENTS**

3,269,793 A \* 8/1966 White, Jr. .... 352/29  
D327,905 S \* 7/1992 Kamijima et al. .... D16/223  
D398,321 S \* 9/1998 Iida ..... D16/230

D439,923 S \* 4/2001 Kawamoto ..... D16/231  
D480,410 S \* 10/2003 Morishita et al. .... D16/230  
D492,339 S \* 6/2004 Niitsu ..... D16/230  
D504,453 S \* 4/2005 Junsu et al. .... D16/231  
D522,561 S \* 6/2006 Ikeuchi et al. .... D16/230

\* cited by examiner

*Primary Examiner*—Ian Simmons

*Assistant Examiner*—Wan Laymon

(74) *Attorney, Agent, or Firm*—Olliff & Berridge, PLC

(57) **CLAIM**

The ornamental design for a projector, as shown and described.

**DESCRIPTION**

FIG. 1 is a perspective view of a projector showing our new design;

FIG. 2 is a front view thereof;

FIG. 3 is a rear view thereof;

FIG. 4 is a left-side view thereof;

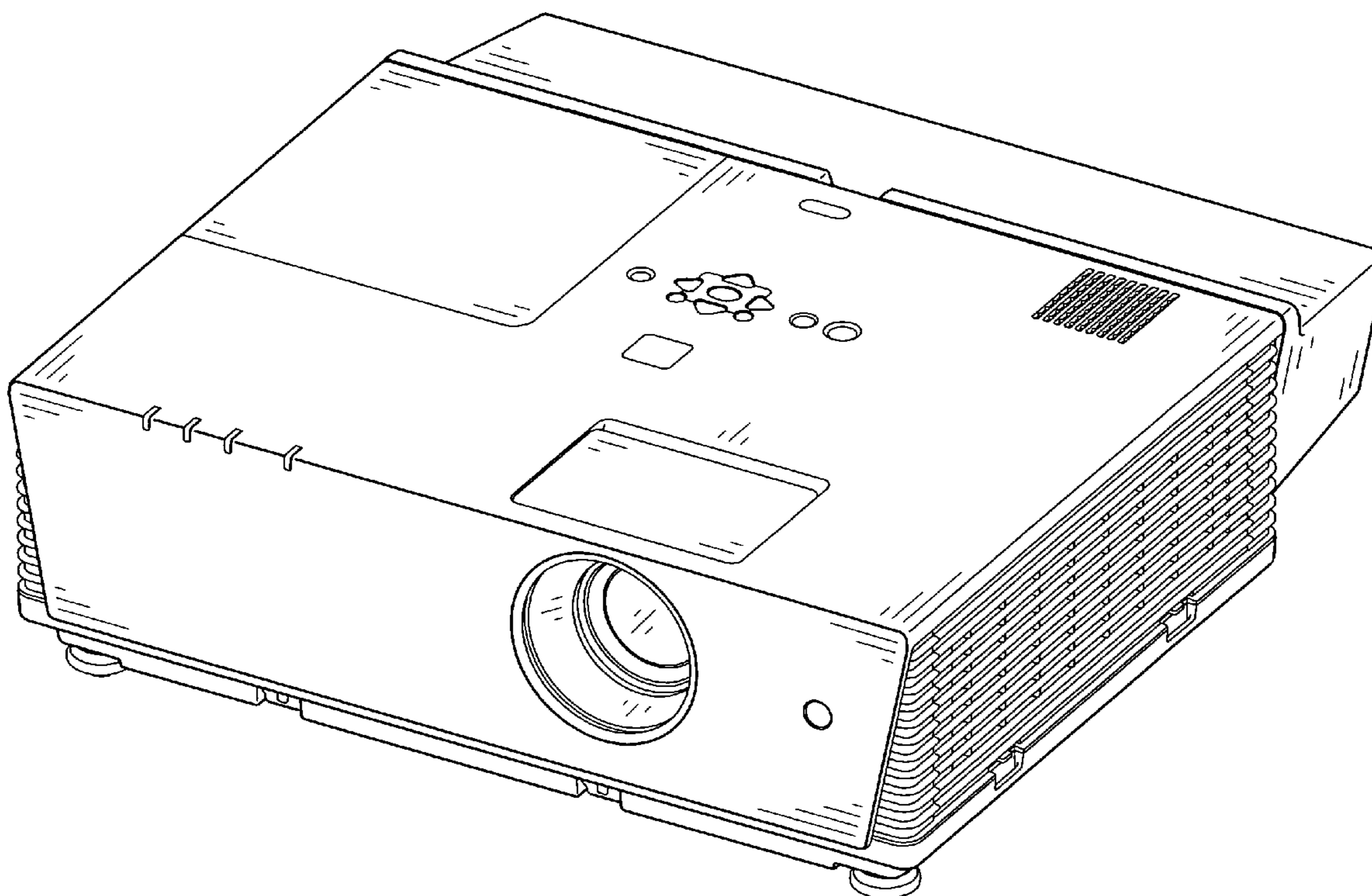
FIG. 5 is a right-side view thereof;

FIG. 6 is a top view thereof; and,

FIG. 7 is a bottom view thereof.

The portions of the projector in broken lines are shown for illustrative purposes only and form no part of the claimed design.

**1 Claim, 4 Drawing Sheets**



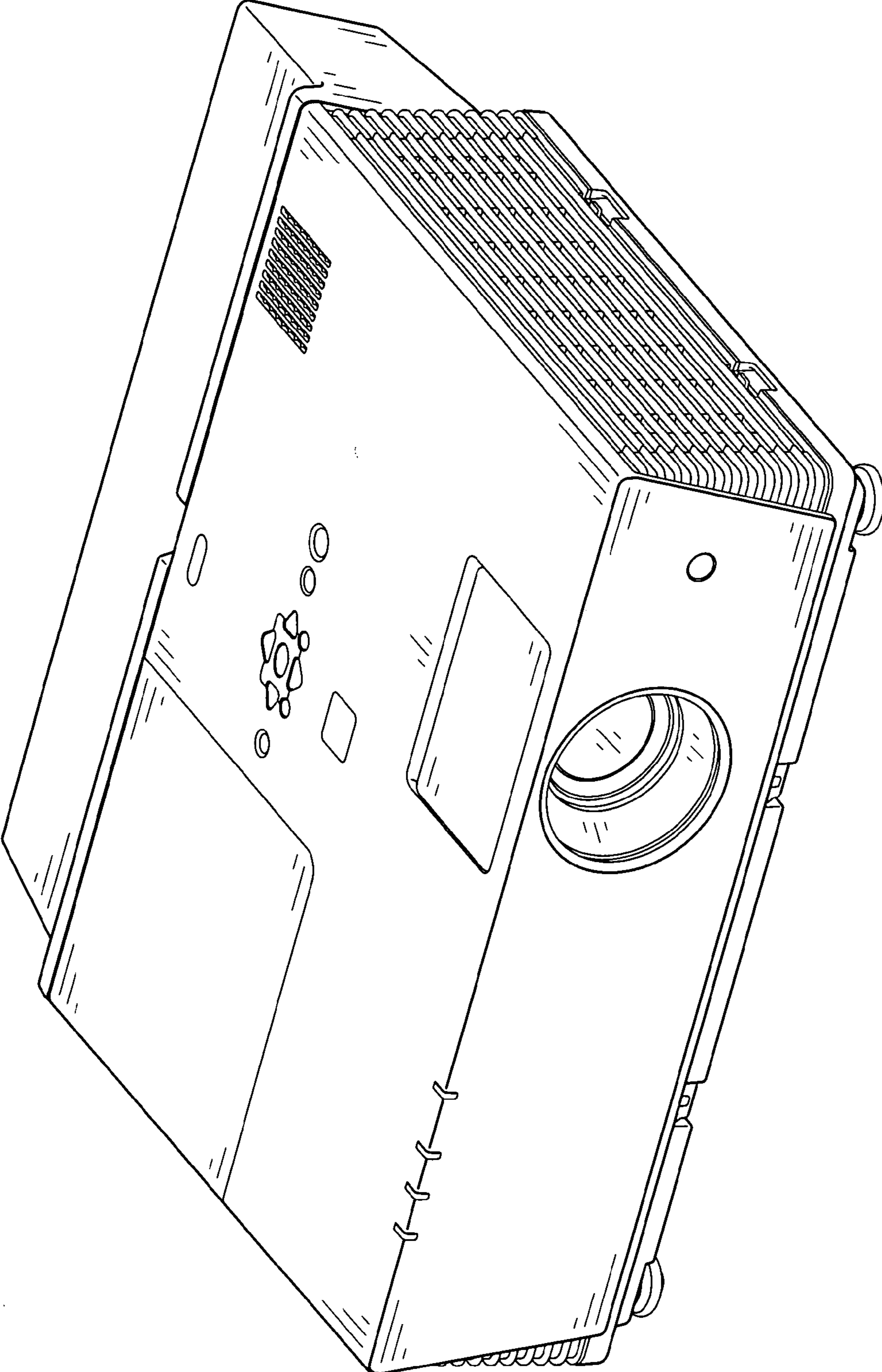


FIG. 1

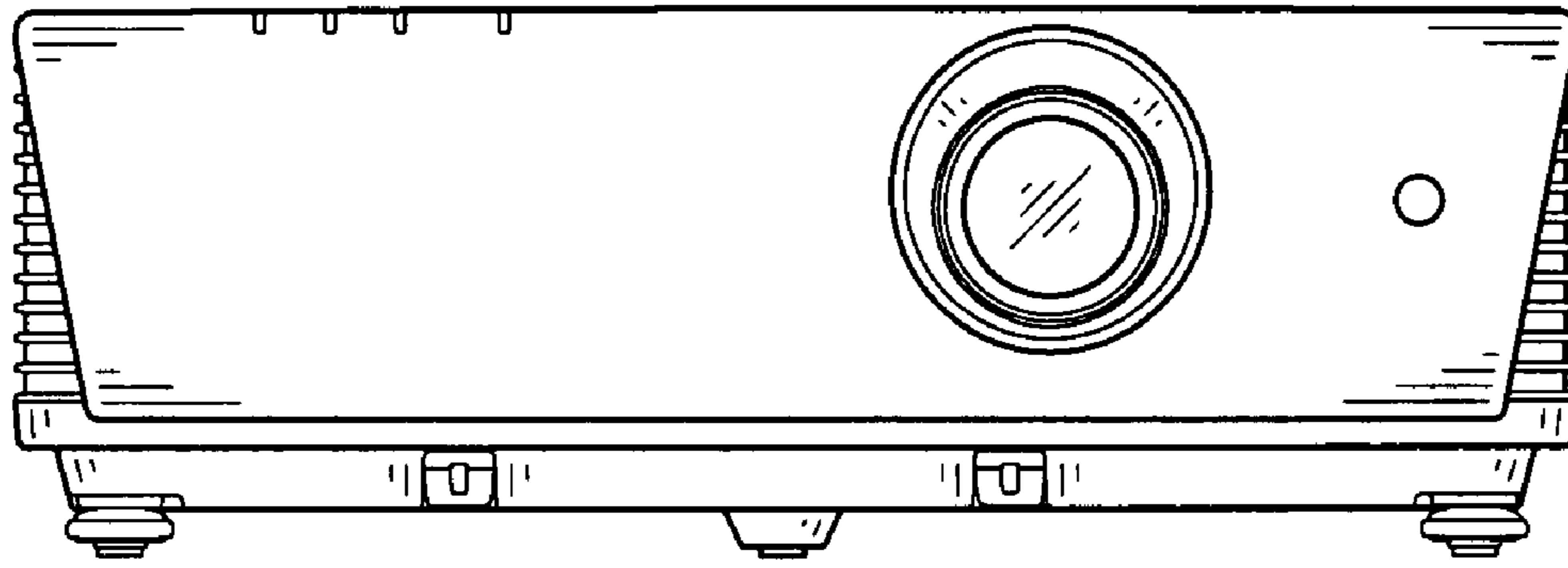


FIG. 2

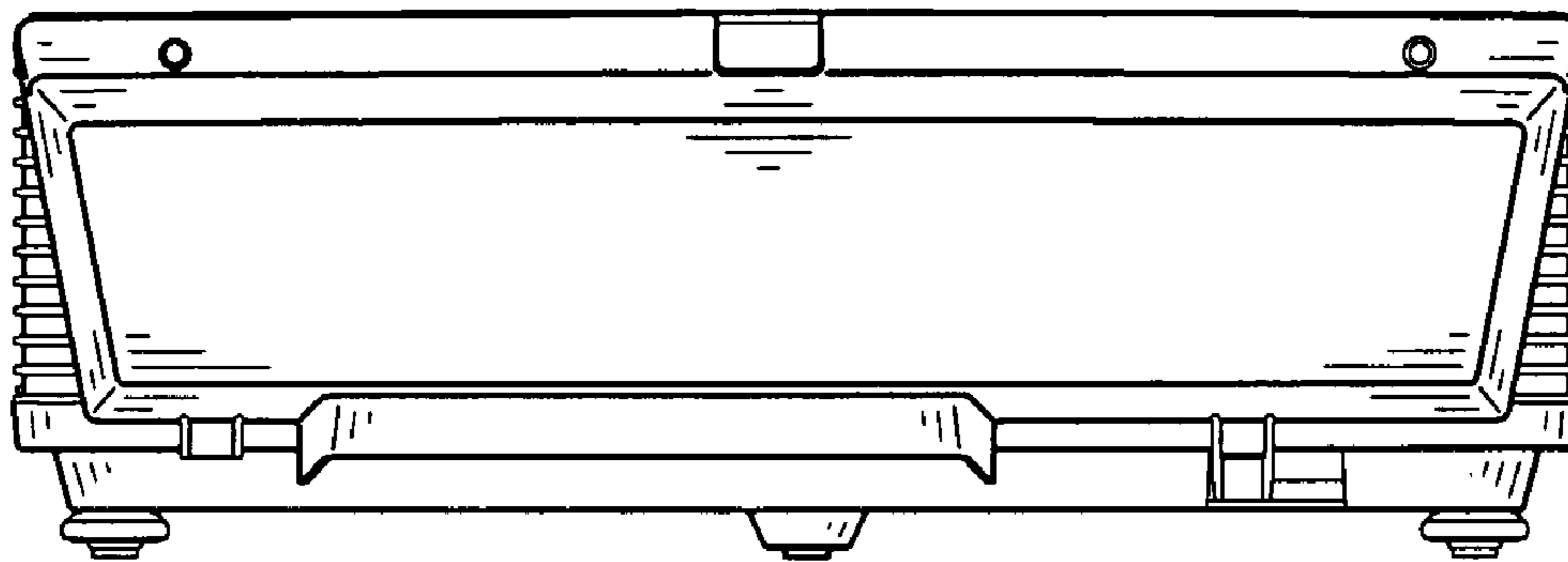


FIG. 3

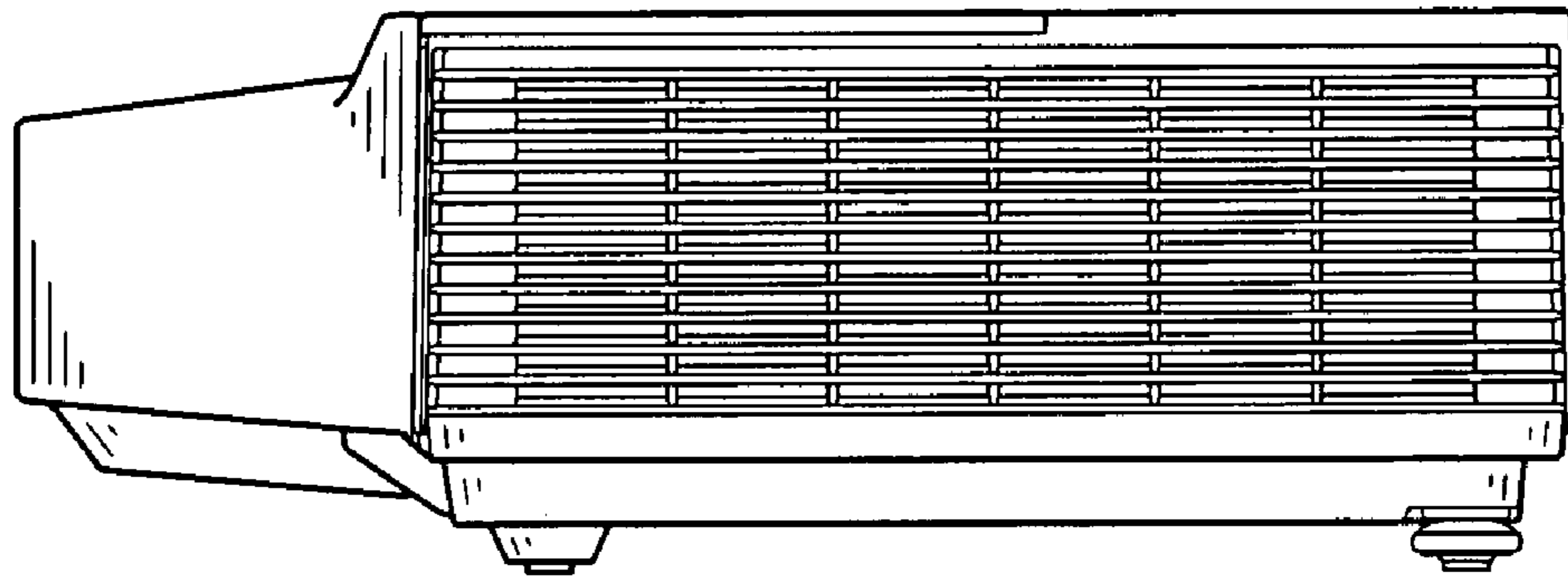


FIG. 4

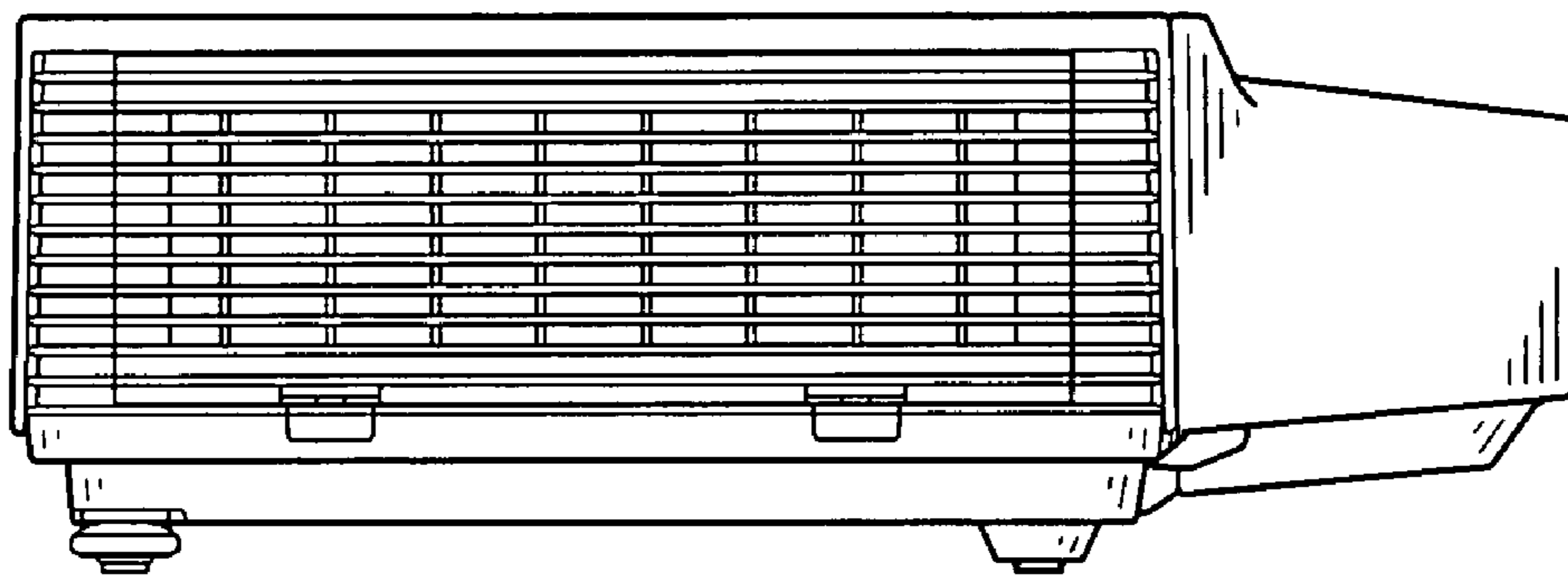


FIG. 5

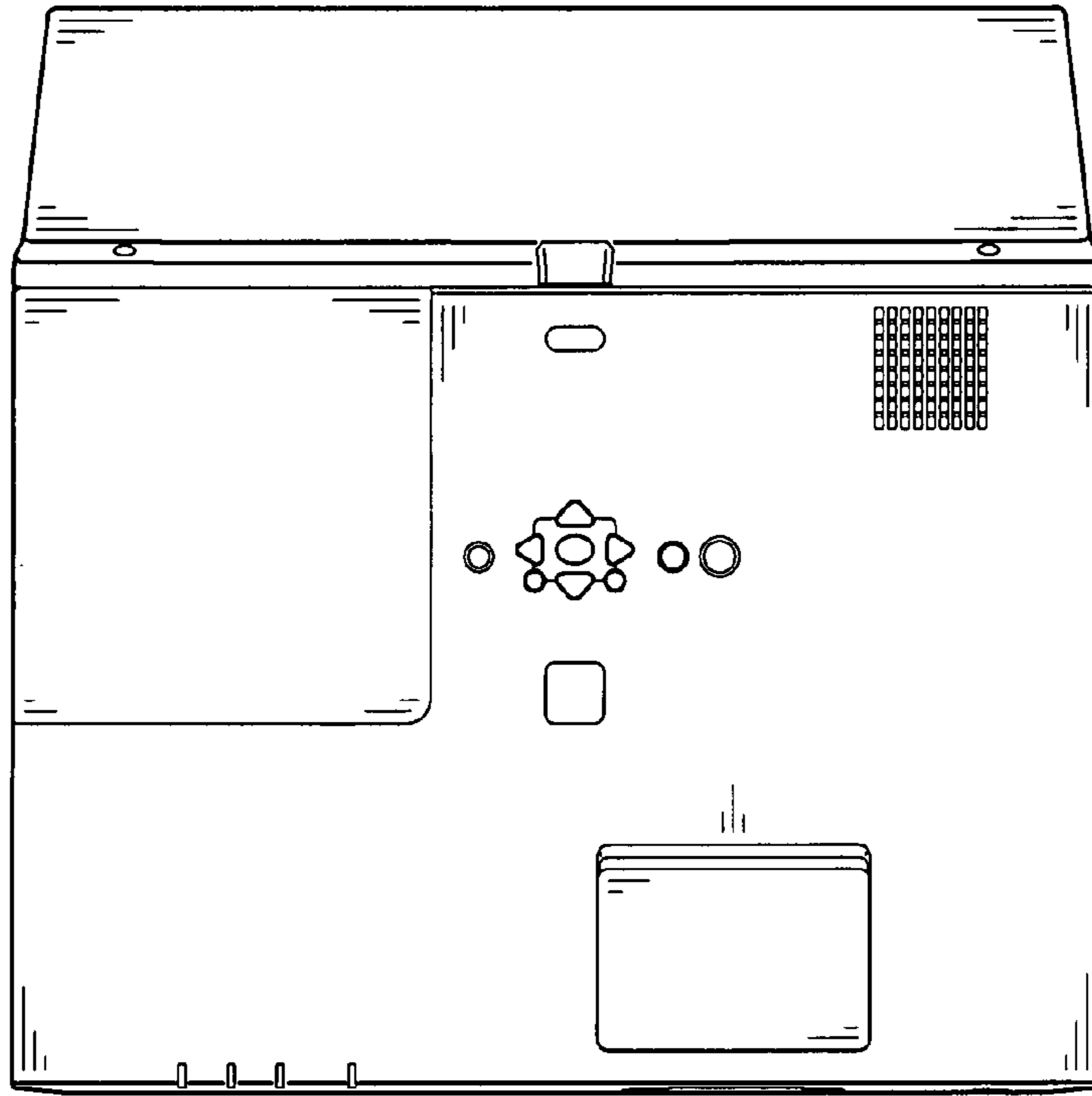


FIG. 6

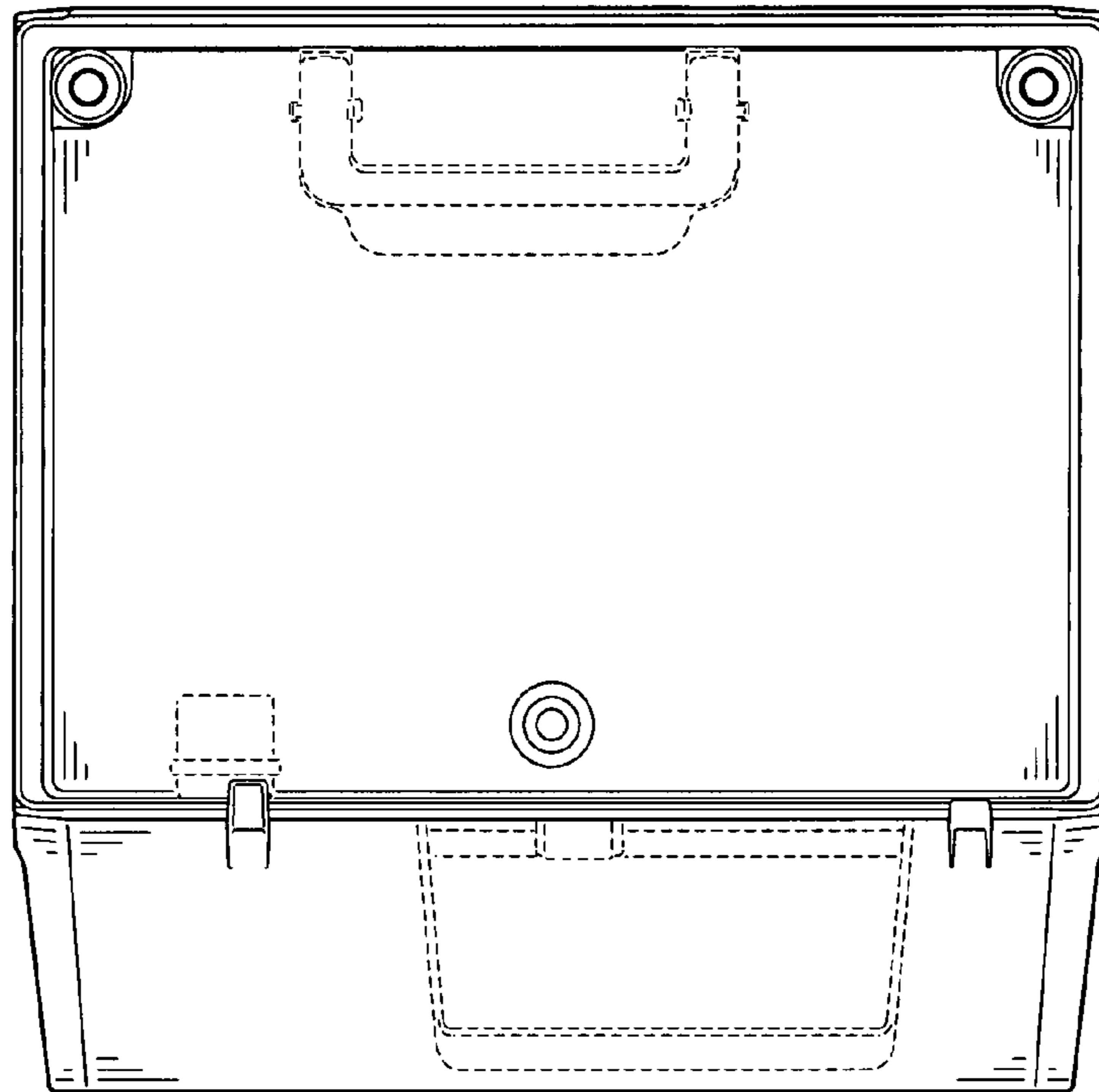


FIG. 7