



US00D551689S

(12) **United States Design Patent**
Sakaguchi et al.

(10) **Patent No.:** **US D551,689 S**
(45) **Date of Patent:** **** Sep. 25, 2007**

(54) **PROJECTOR**
(75) Inventors: **Katsumi Sakaguchi**, Tokyo (JP);
Takayuki Okamoto, Tokyo (JP);
Shigeo Inoue, Tokyo (JP); **Naoto**
Fukasawa, Tokyo (JP)
(73) Assignee: **NEC Display Solutions, Ltd.**, Tokyo
(JP)
(**) Term: **14 Years**

JP	1010484	3/1998
JP	1072526	3/2000
JP	1072527	3/2000
JP	1081587	5/2000
JP	1201237	2/2004
JP	1220158	9/2004
JP	1239431	3/2005
JP	1239447	3/2005
JP	2005-014263	5/2005
JP	2005-014274	5/2005
JP	2005-014275	5/2005

(21) Appl. No.: **29/238,304**

(22) Filed: **Sep. 14, 2005**

(30) **Foreign Application Priority Data**

May 27, 2005 (JP) 2005-015361

(51) **LOC (8) Cl.** **16-02**

(52) **U.S. Cl.** **D16/230; D16/225**

(58) **Field of Classification Search** D16/205,
D16/208, 213, 221, 225, 230, 231, 234, 235;
D21/514; 353/115, 119, 122, 39; 352/34,
352/242; 349/5, 7, 8, 9

See application file for complete search history.

(56) **References Cited**

U.S. PATENT DOCUMENTS

D454,360 S *	3/2002	Shimizu et al.	D16/230
D473,253 S *	4/2003	Shimamoto	D16/231
D480,410 S *	10/2003	Morishita et al.	D16/230
D492,714 S *	7/2004	Morishita et al.	D16/231
D504,453 S *	4/2005	Junsi et al.	D16/231

FOREIGN PATENT DOCUMENTS

JP 1010459 3/1998

* cited by examiner

Primary Examiner—Adir Aronovich

Assistant Examiner—Wan Laymon

(74) *Attorney, Agent, or Firm*—Seyfarth Shaw LLP

(57) **CLAIM**

The ornamental design for a projector, as shown and described.

DESCRIPTION

FIG. 1 is a perspective view of a projector showing our new design.

FIG. 2 is a front elevational view thereof;

FIG. 3 is a rear elevational view thereof;

FIG. 4 is a left-side elevational view thereof;

FIG. 5 is a right-side elevational view thereof;

FIG. 6 is a top plan view thereof; and,

FIG. 7 is a bottom plan view thereof.

The broken lines in the FIG. 3 are for illustrative purposes only and form no part of the claimed design.

1 Claim, 5 Drawing Sheets

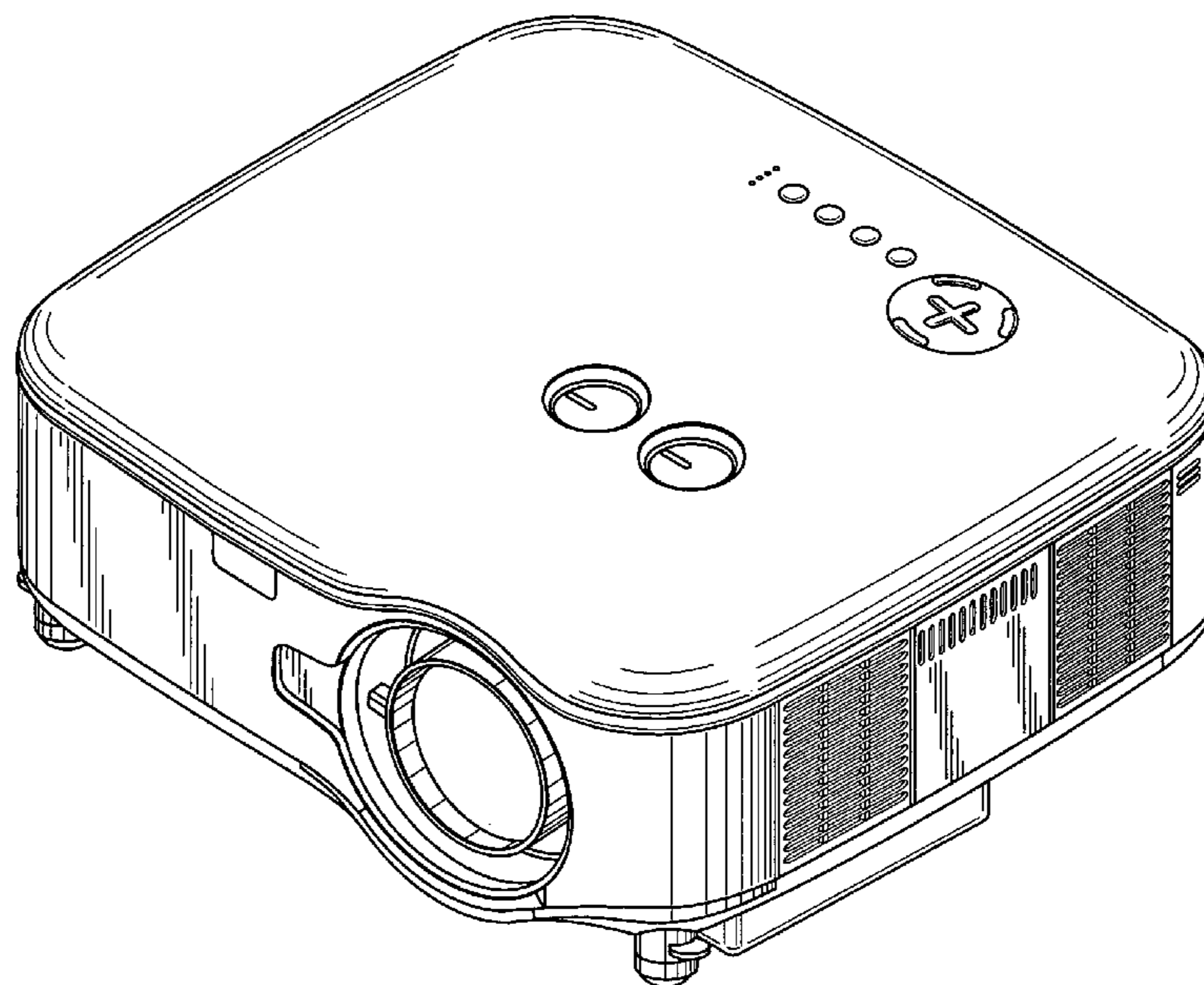


Fig. 1

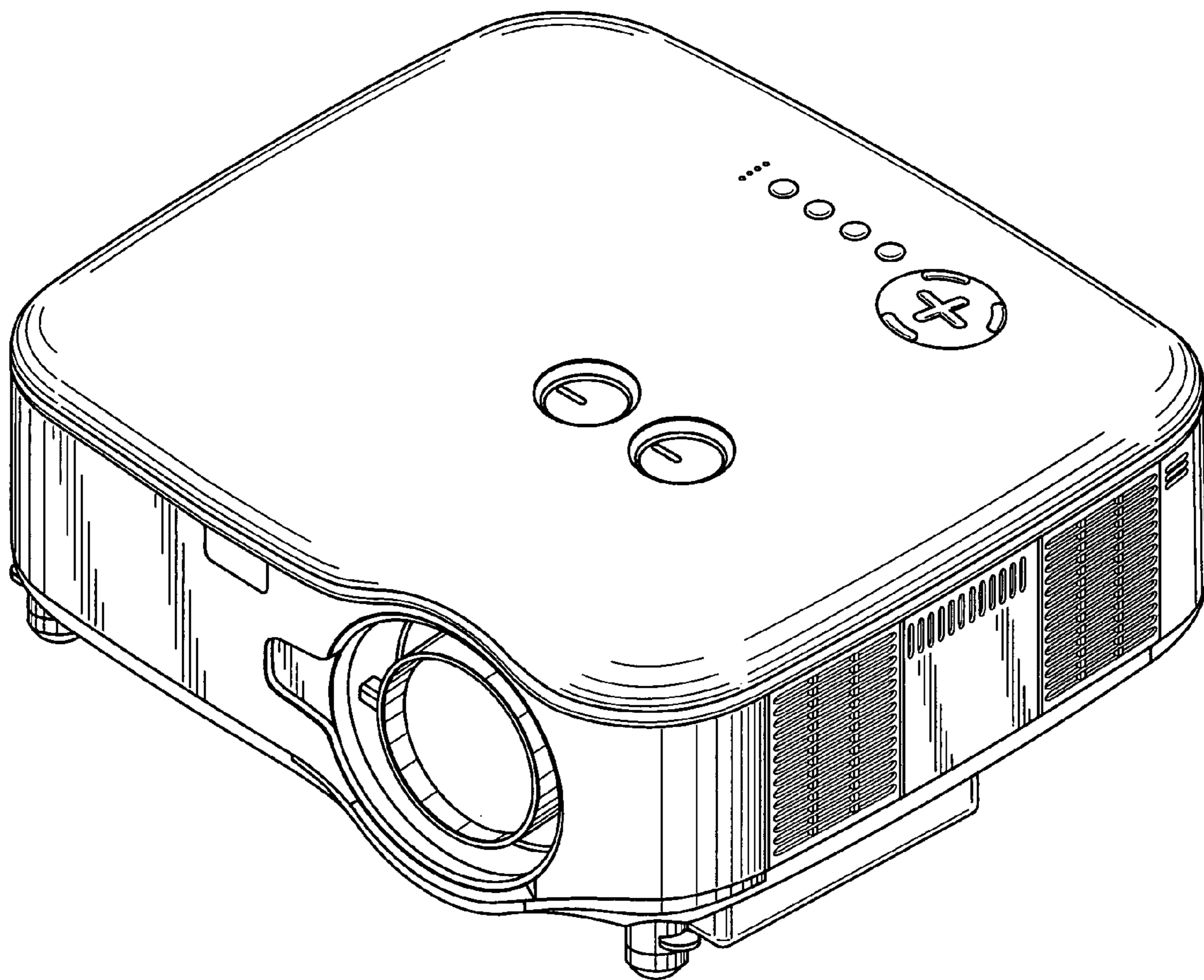


Fig. 2

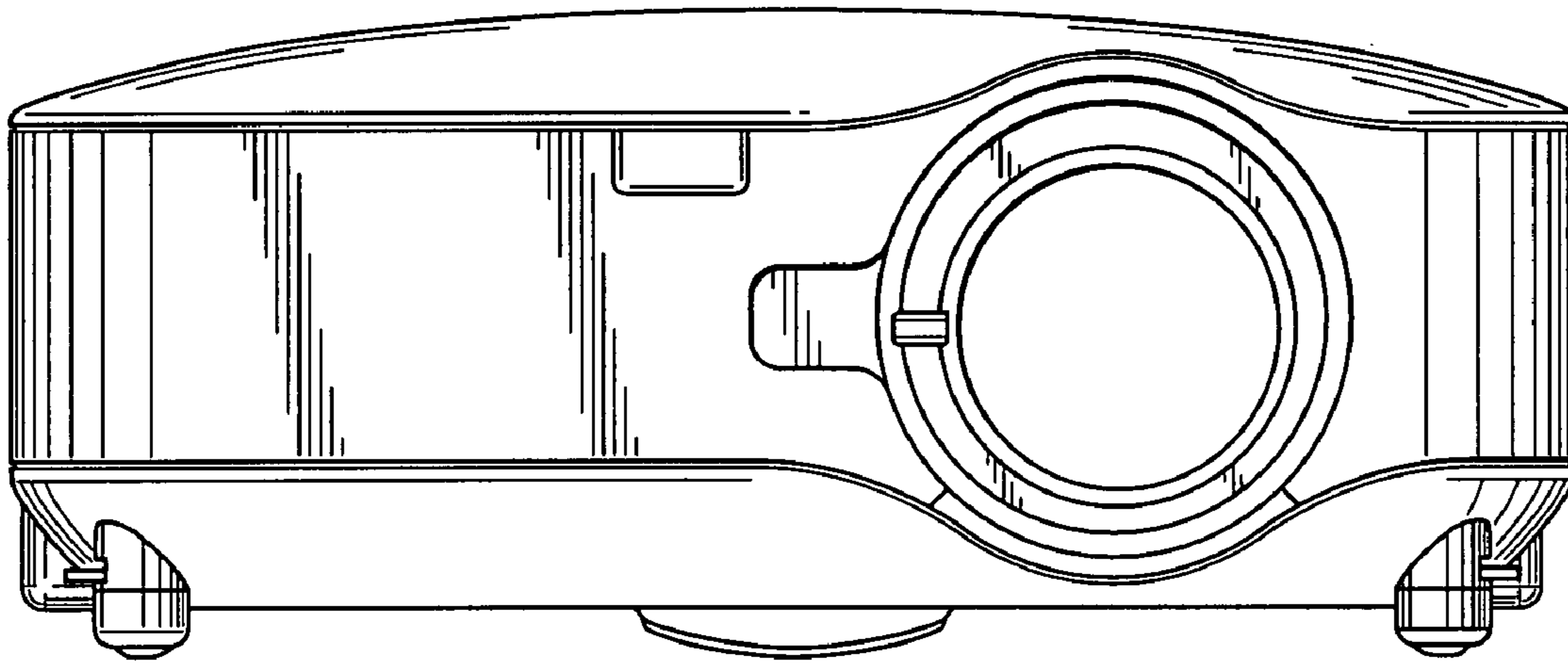


Fig. 3

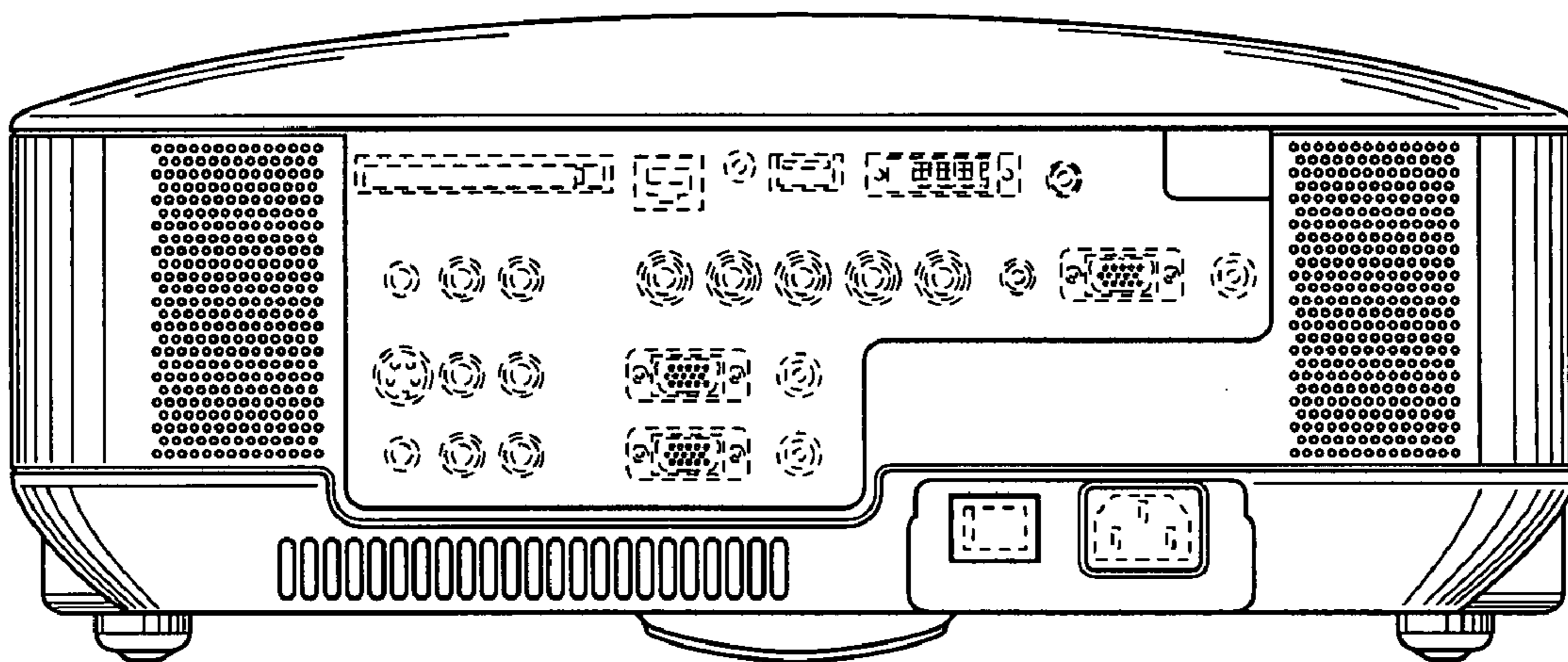


Fig. 4

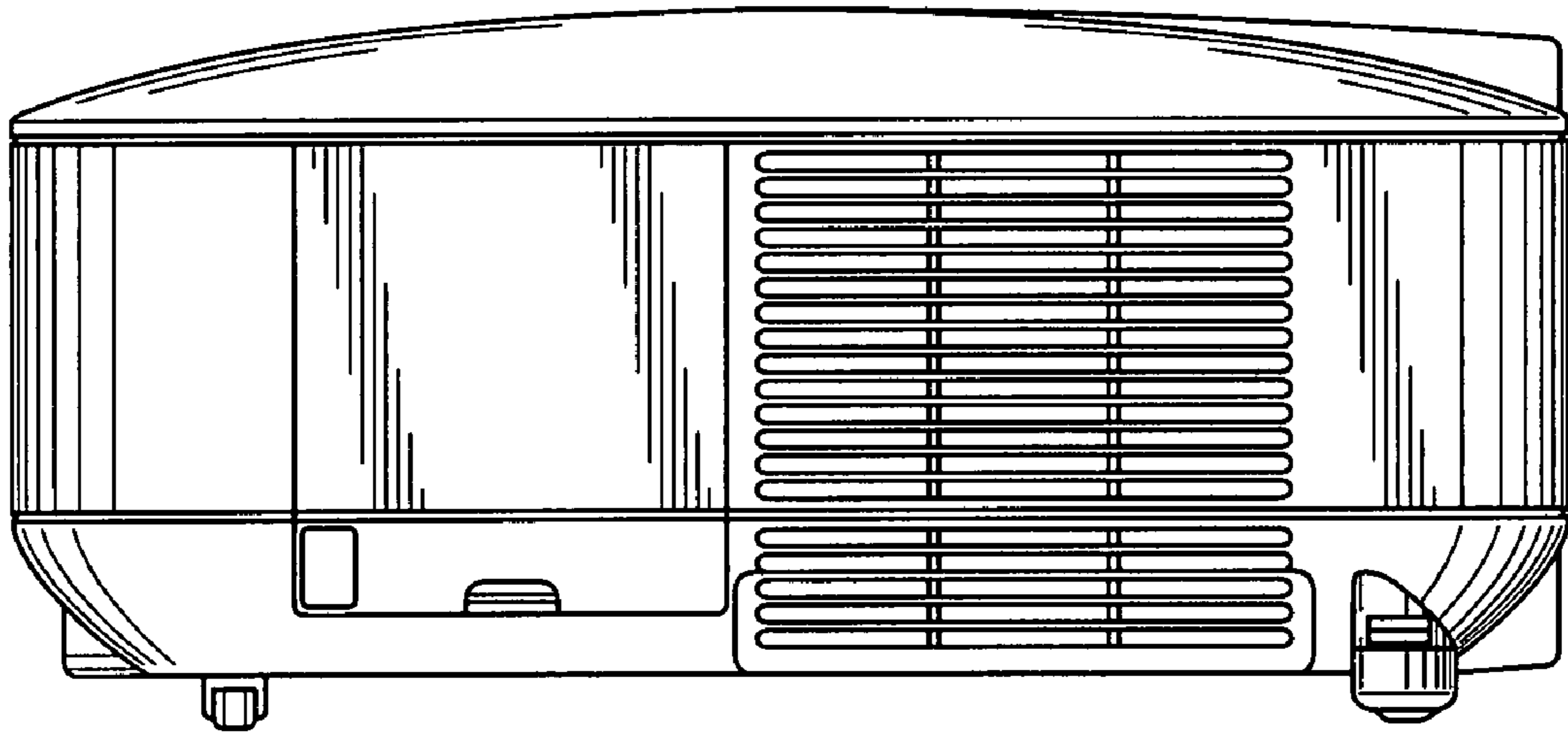


Fig. 5

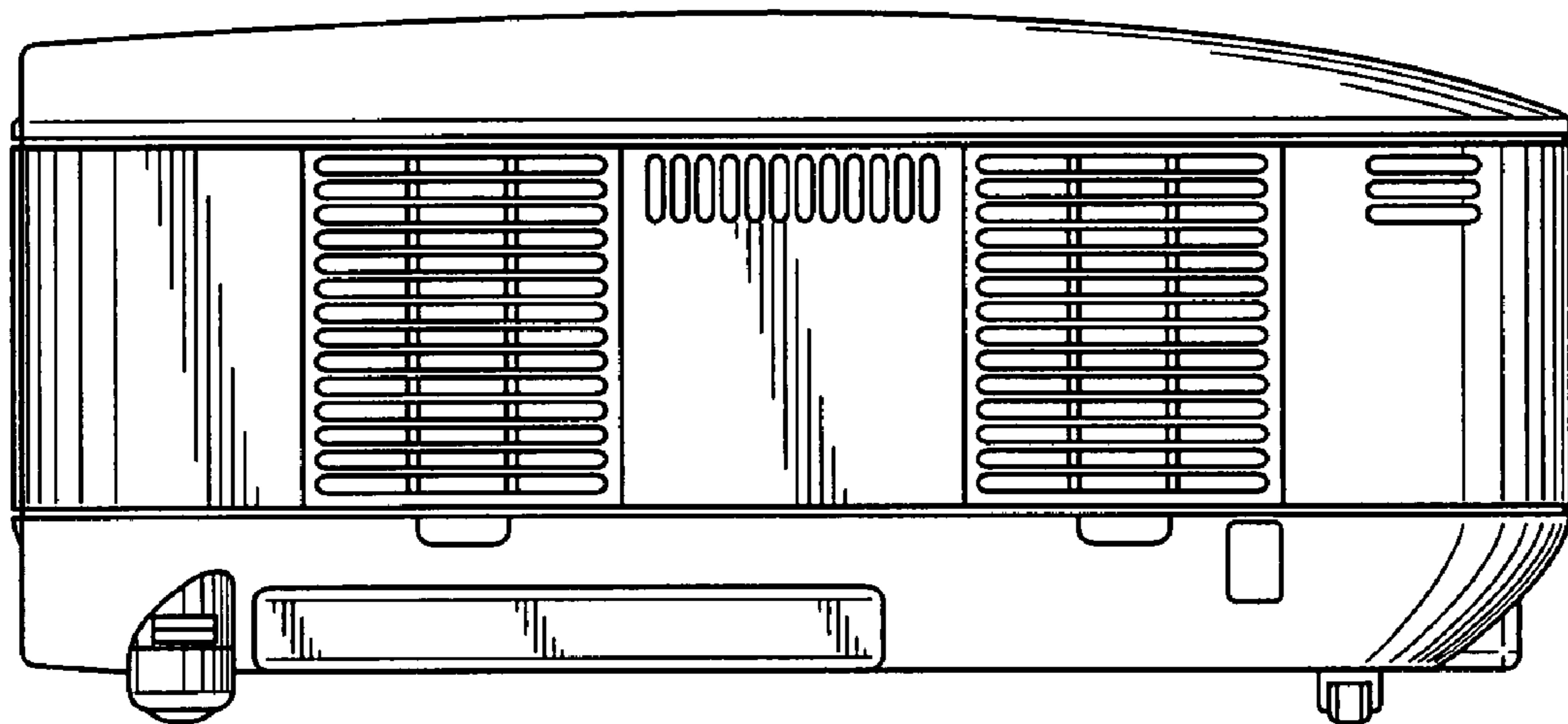


Fig. 6

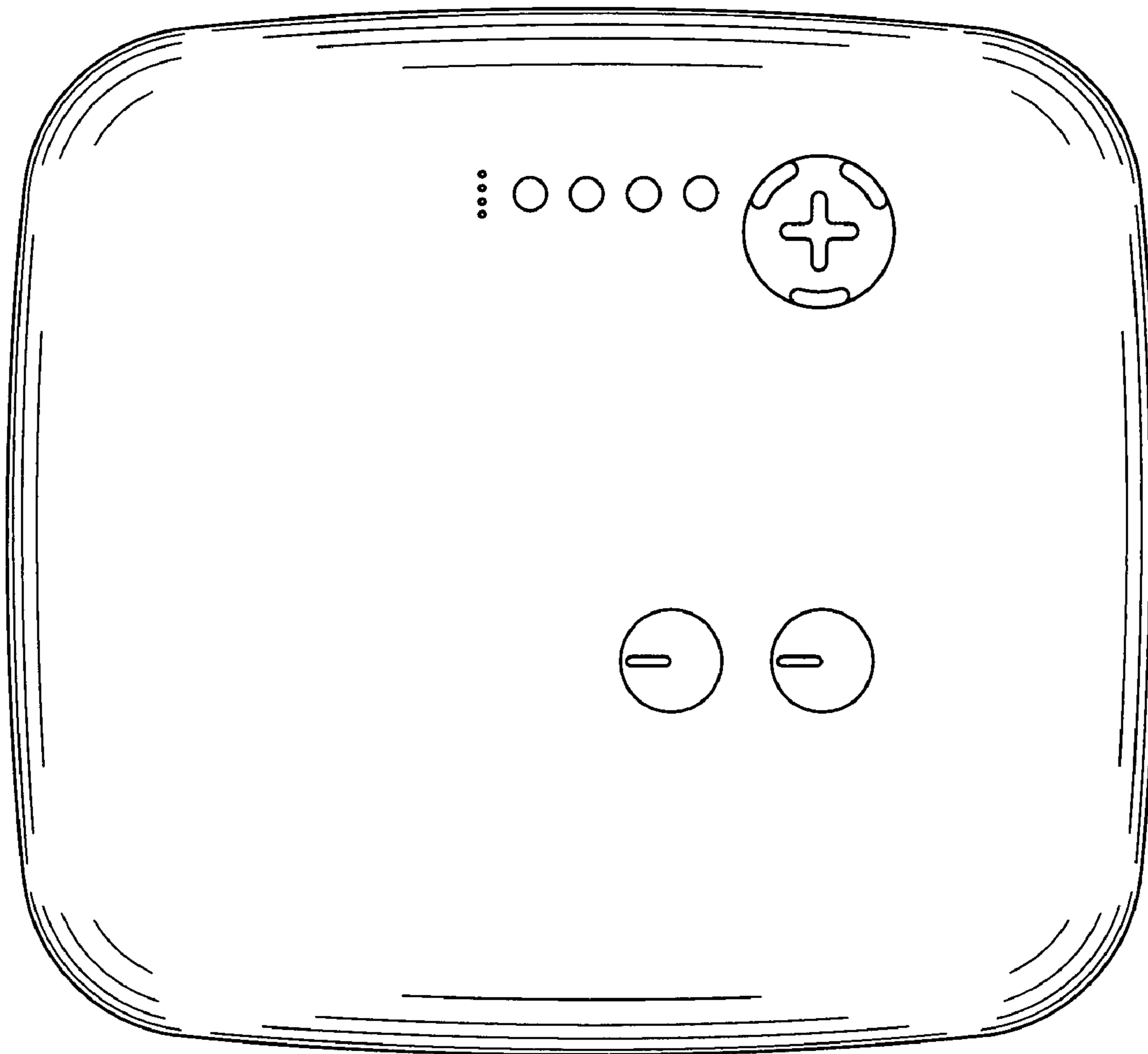


Fig. 7

