



US00D551688S

(12) **United States Design Patent**
Uchiyama et al.

(10) **Patent No.:** **US D551,688 S**
(45) **Date of Patent:** **** Sep. 25, 2007**

(54) **VIDEO CAMERA**

(75) Inventors: **Jun Uchiyama**, Tokyo (JP); **Tooru Kirihara**, Tokyo (JP)

(73) Assignee: **Sony Corporation**, Tokyo (JP)

(**) Term: **14 Years**

(21) Appl. No.: **29/240,961**

(22) Filed: **Oct. 21, 2005**

(51) **LOC (8) Cl.** **16-05**

(52) **U.S. Cl.** **D16/219; D16/202**

(58) **Field of Classification Search** D8/300,
D8/310, 311, 312, 313, 370; D16/200–205,
D16/217–219, 208; 348/373–376; 396/535–541;
358/906, 909

See application file for complete search history.

(56) **References Cited**

U.S. PATENT DOCUMENTS

D314,782 S *	2/1991	Hong	D16/202
D316,554 S *	4/1991	Ooi et al.	D16/202
5,233,667 A *	8/1993	Lee	358/906
D350,552 S *	9/1994	Cha	D16/202
D412,515 S	8/1999	Oka		
D483,781 S *	12/2003	Granaas et al.	D16/202
D483,782 S *	12/2003	Lannestedt et al.	D16/202
D486,845 S	2/2004	Oka		

OTHER PUBLICATIONS

Web page “HDC950” <http://bssc.sel.sony.com/BroadcastandBusiness/ProductPrint?id=56962> , 2 sheets, Sony (Oct. 2005).

* cited by examiner

Primary Examiner—Ian Simmons

Assistant Examiner—Wan Laymon

(74) *Attorney, Agent, or Firm*—Rader, Fishman & Grauer PLLC

(57) **CLAIM**

The ornamental design for a video camera, as shown and described.

DESCRIPTION

FIG. 1 is a perspective view of a video camera showing our new design;

FIG. 2 is a front elevational view thereof;

FIG. 3 is a rear elevational view thereof;

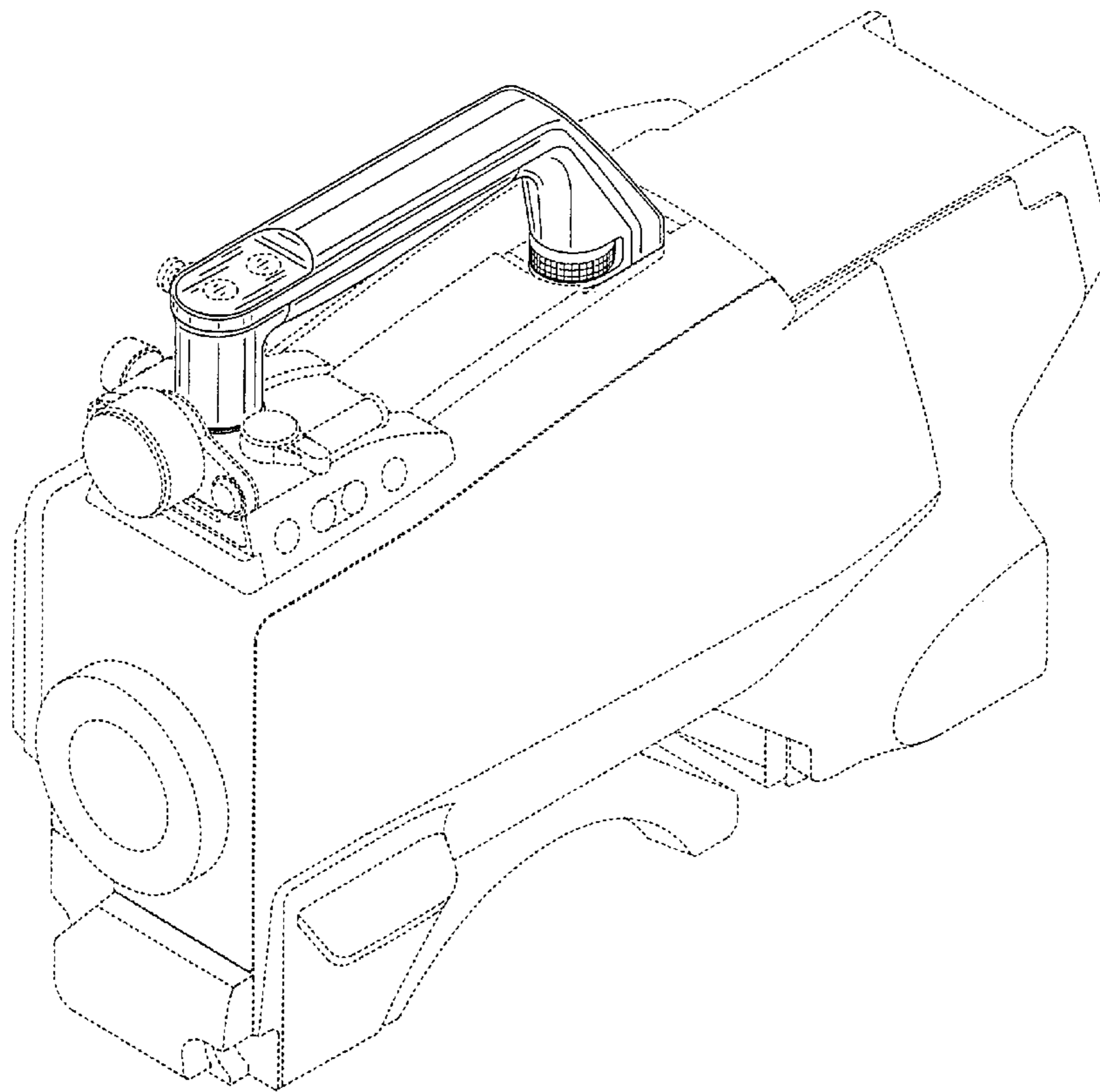
FIG. 4 is a left side elevational view thereof;

FIG. 5 is a right side elevational view thereof; and,

FIG. 6 is a top plan view thereof.

Portions of FIGS. 1–6 that are shown as broken lines are for illustrative purpose only and form no part of the claimed design.

1 Claim, 6 Drawing Sheets



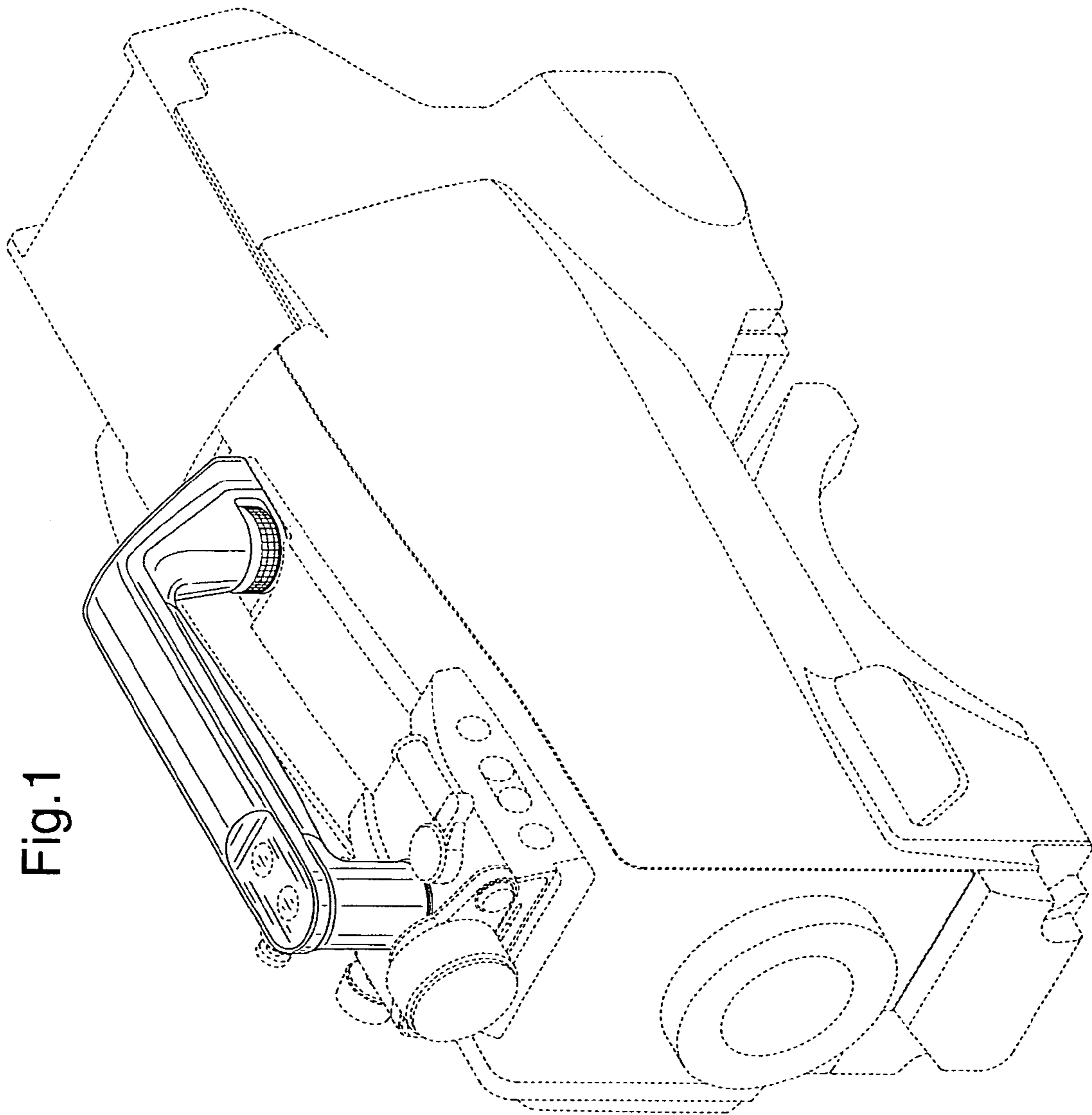


Fig. 1

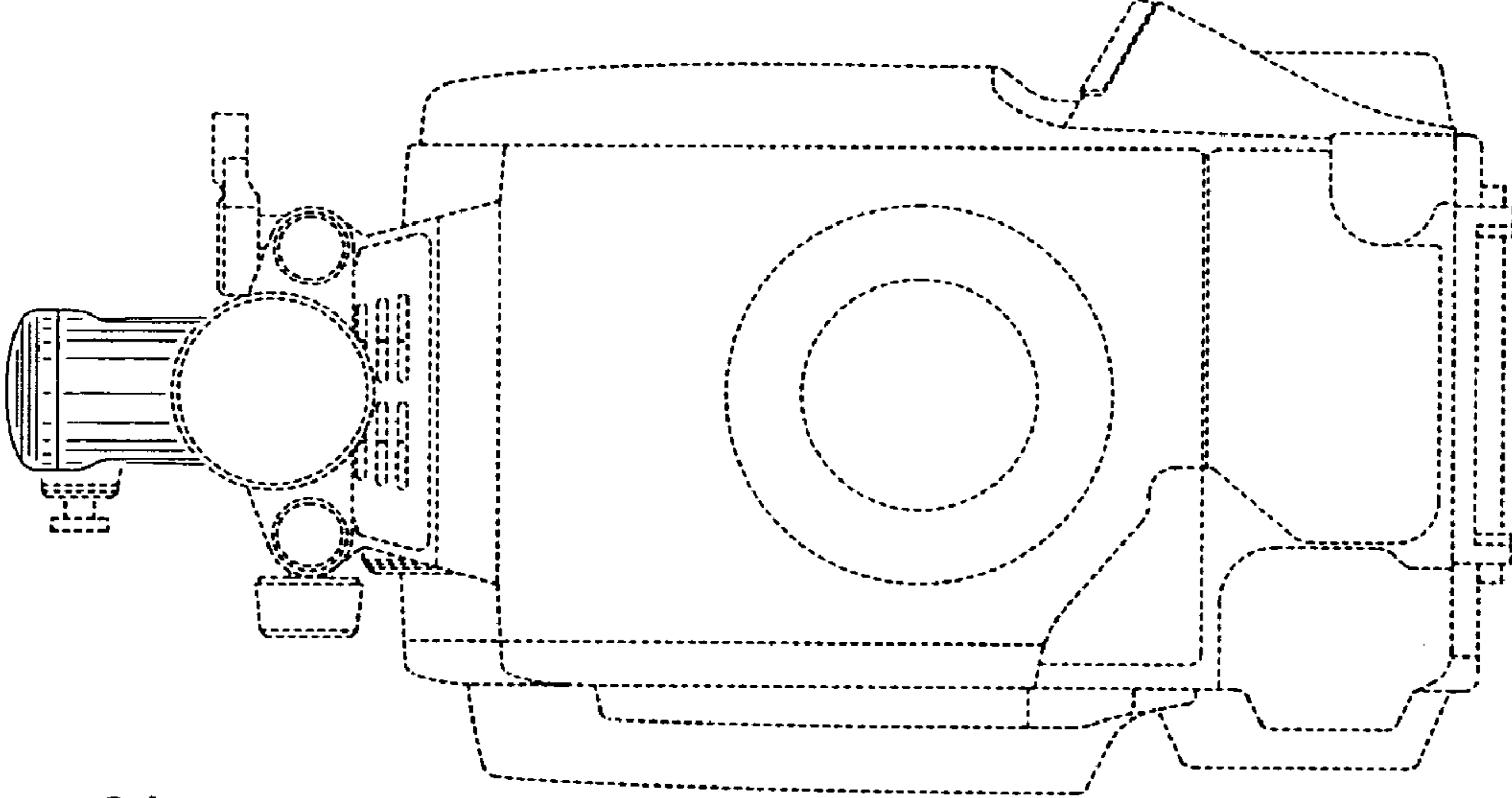


Fig.2

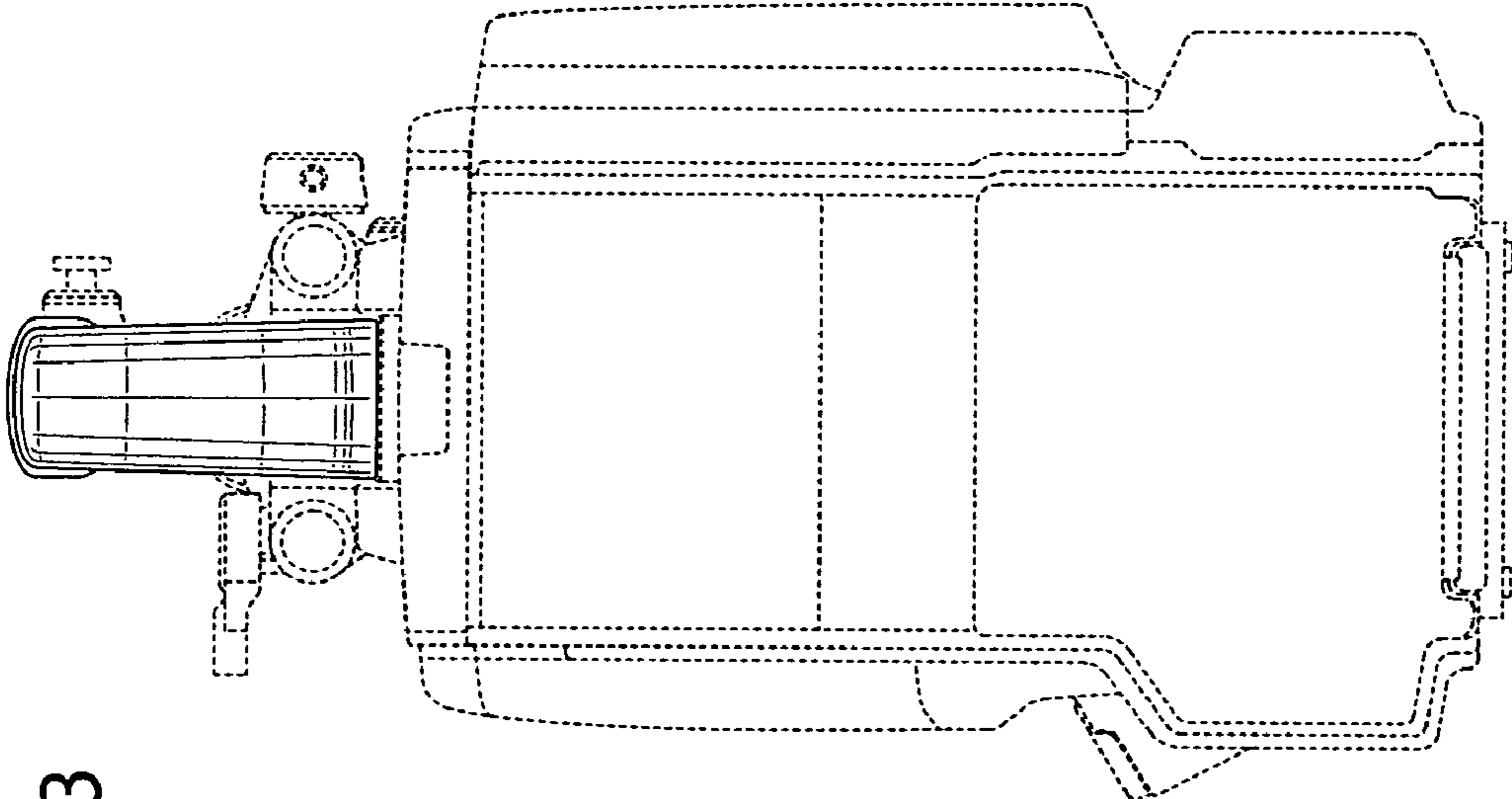


Fig.3

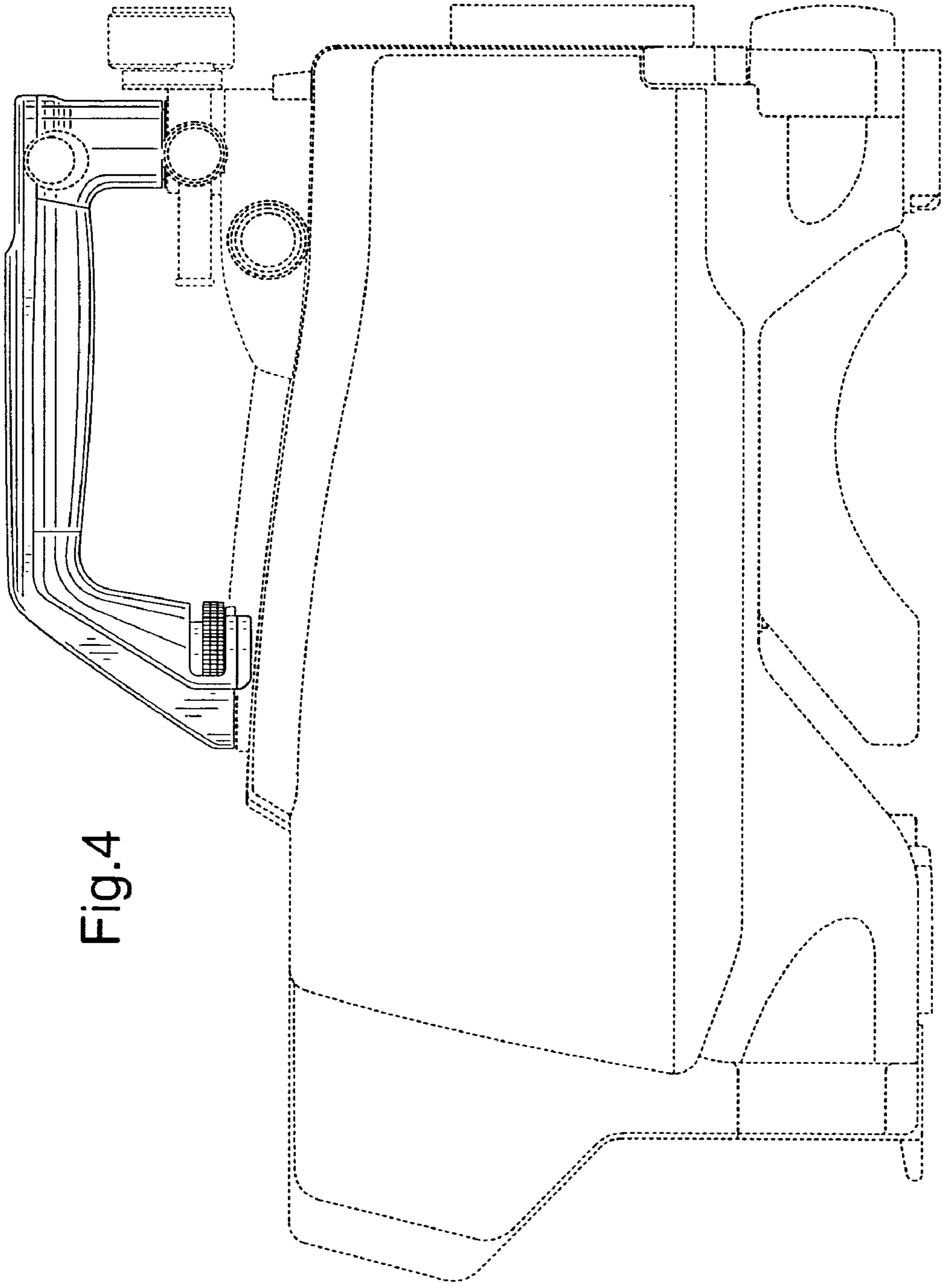


Fig.4

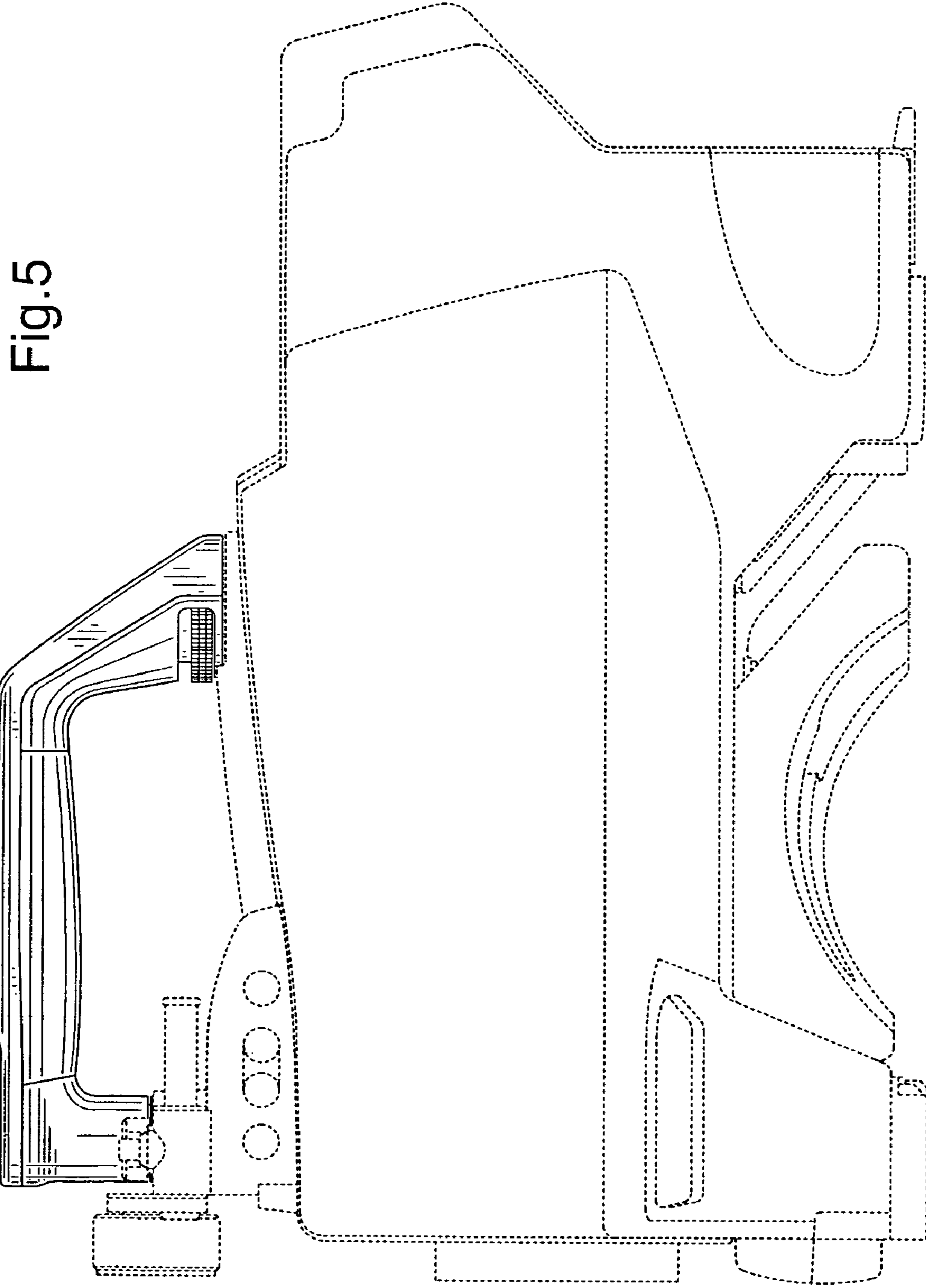


Fig. 5

Fig.6

