



US00D551686S

(12) **United States Design Patent**
Leasure

(10) **Patent No.:** **US D551,686 S**

(45) **Date of Patent:** **** Sep. 25, 2007**

(54) **PLANER**

(75) Inventor: **Jeremy D. Leasure**, Jackson, TN (US)

(73) Assignee: **Black & Decker Inc.**, Newark, DE (US)

(**) Term: **14 Years**

(21) Appl. No.: **29/257,083**

(22) Filed: **Mar. 29, 2006**

(51) **LOC (8) Cl.** **15-09**

(52) **U.S. Cl.** **D15/124**

(58) **Field of Classification Search** D15/124,
D15/125; 144/112.1, 114 R, 117 R, 124,
144/129, 130, 144.1, 154.5, 218, 225, 228,
144/230, 242.5, 245.1, 246.1, 250.2, 252.1,
144/253.2, 253.8

See application file for complete search history.

(56) **References Cited**

U.S. PATENT DOCUMENTS

D323,834 S	2/1992	Fushiya et al.	
5,725,035 A *	3/1998	Shadeck	144/130
D430,175 S	8/2000	Hayakawa et al.	
D442,610 S *	5/2001	Chang	D15/127
D442,976 S	5/2001	Chin-Feng	
D445,435 S *	7/2001	Chiang	D15/127
6,279,628 B1 *	8/2001	Chang	144/130

D453,526 S *	2/2002	Chang	D15/127
D460,089 S	7/2002	Garcia et al.	
D474,786 S *	5/2003	Chuang	D15/124
D477,002 S	7/2003	Wang	
D488,173 S	4/2004	Wang	
2003/0188803 A1 *	10/2003	Liao et al.	144/252.1
2005/0039823 A1 *	2/2005	Chuang	144/114.1
2005/0224140 A1 *	10/2005	Garcia et al.	144/129

* cited by examiner

Primary Examiner—Antoine D. Davis

Assistant Examiner—Patricia Palasik

(74) *Attorney, Agent, or Firm*—Mehul R. Jani; Adan Ayala

(57) **CLAIM**

The ornamental design for a planer, as shown and described.

DESCRIPTION

FIG. 1 is a perspective view of a planer showing the new design.

FIG. 2 is a front elevational view thereof.

FIG. 3 is a rear elevational view thereof.

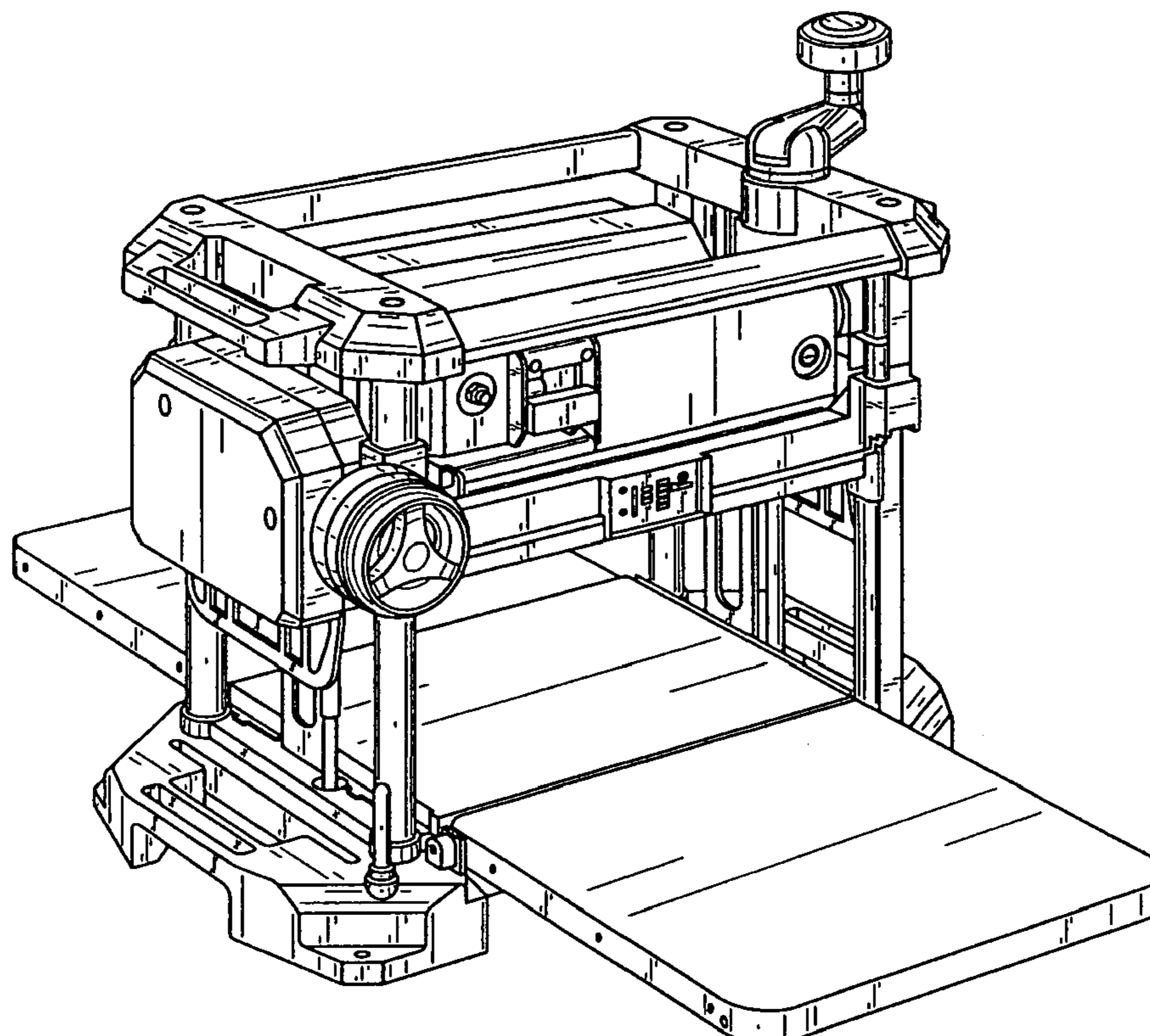
FIG. 4 is a right side elevational view thereof.

FIG. 5 is a left side elevational view thereof.

FIG. 6 is a top plan view thereof; and,

FIG. 7 is a bottom plan view thereof.

1 Claim, 7 Drawing Sheets



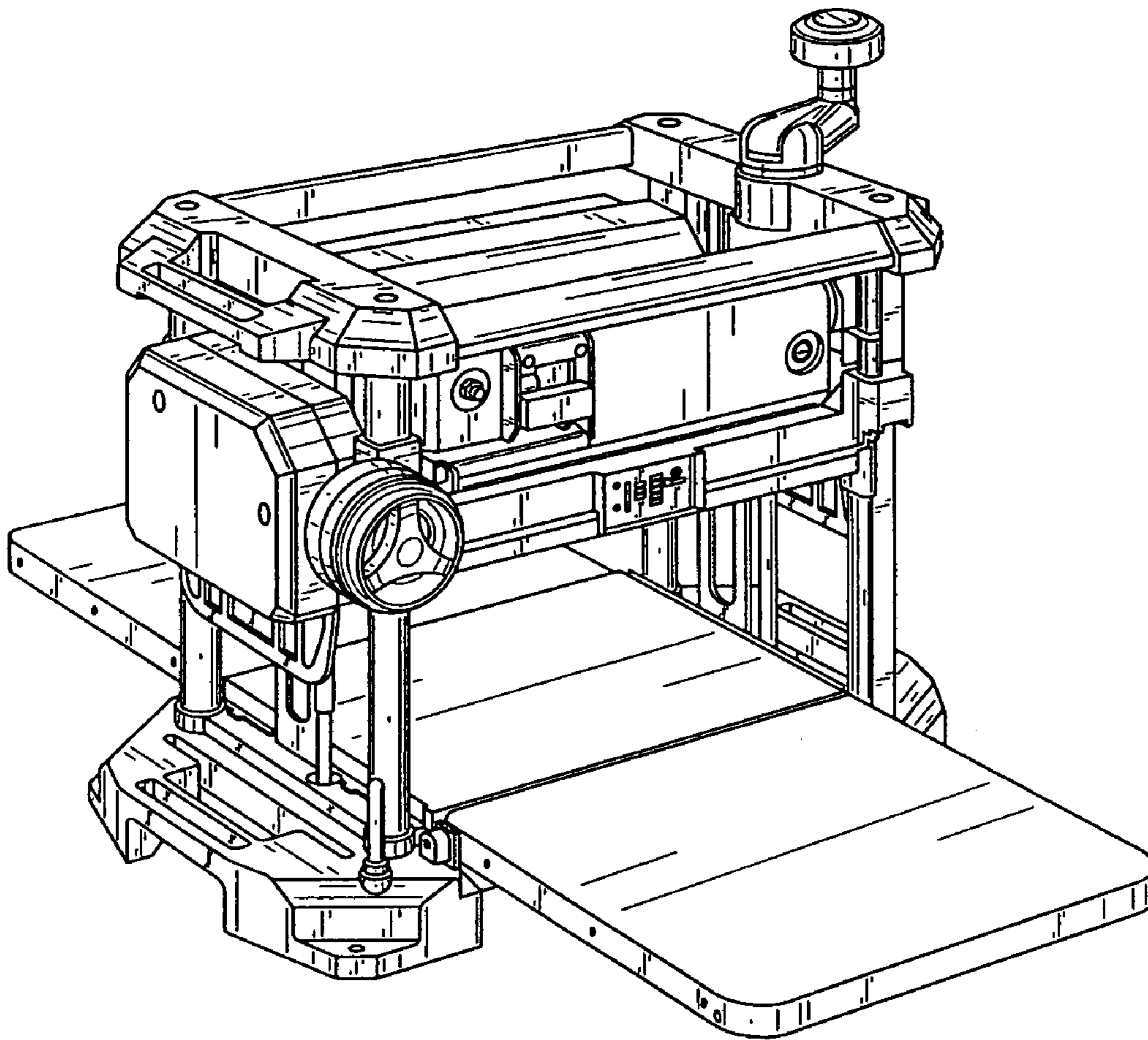


FIG. 1

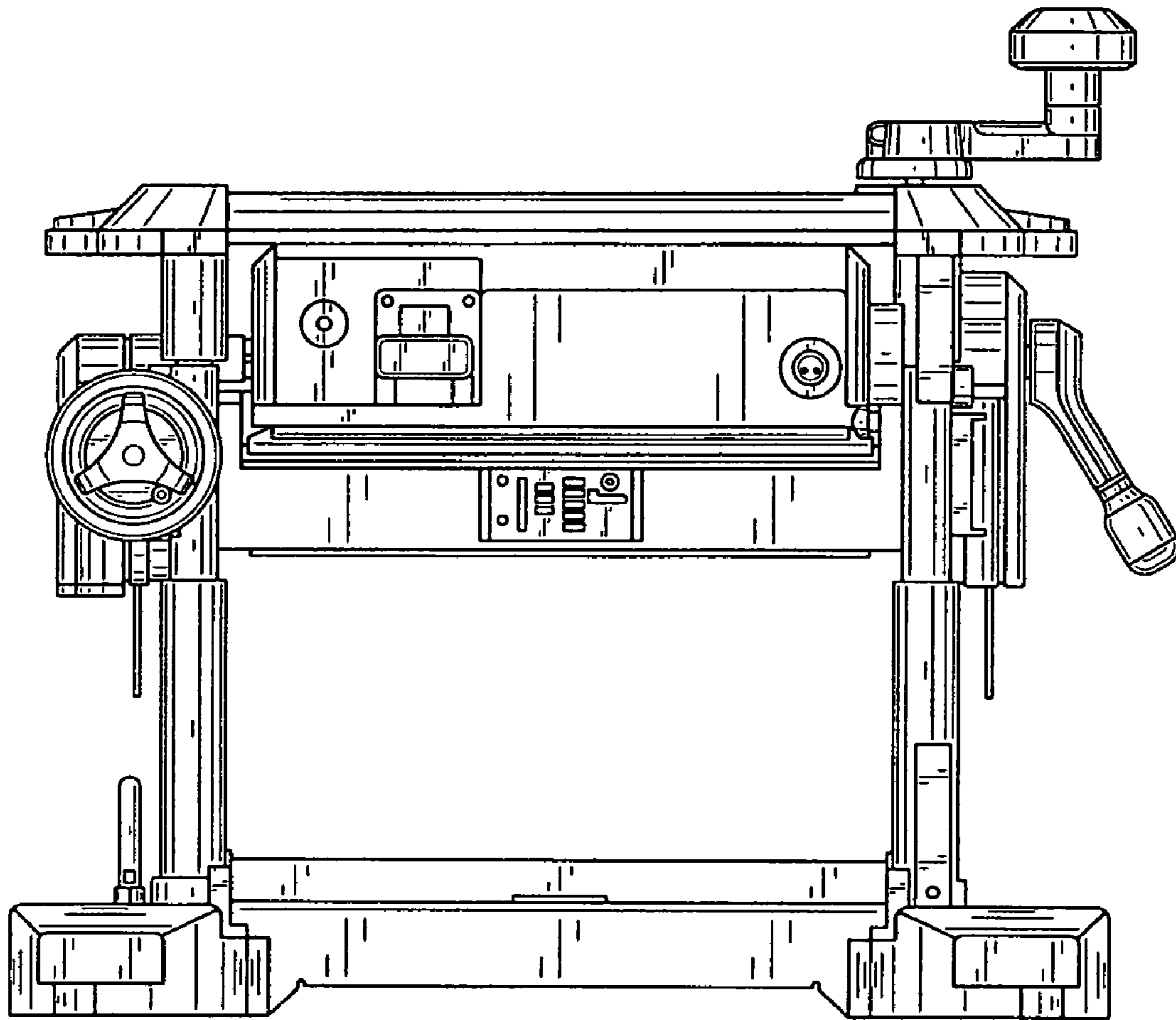


FIG. 2

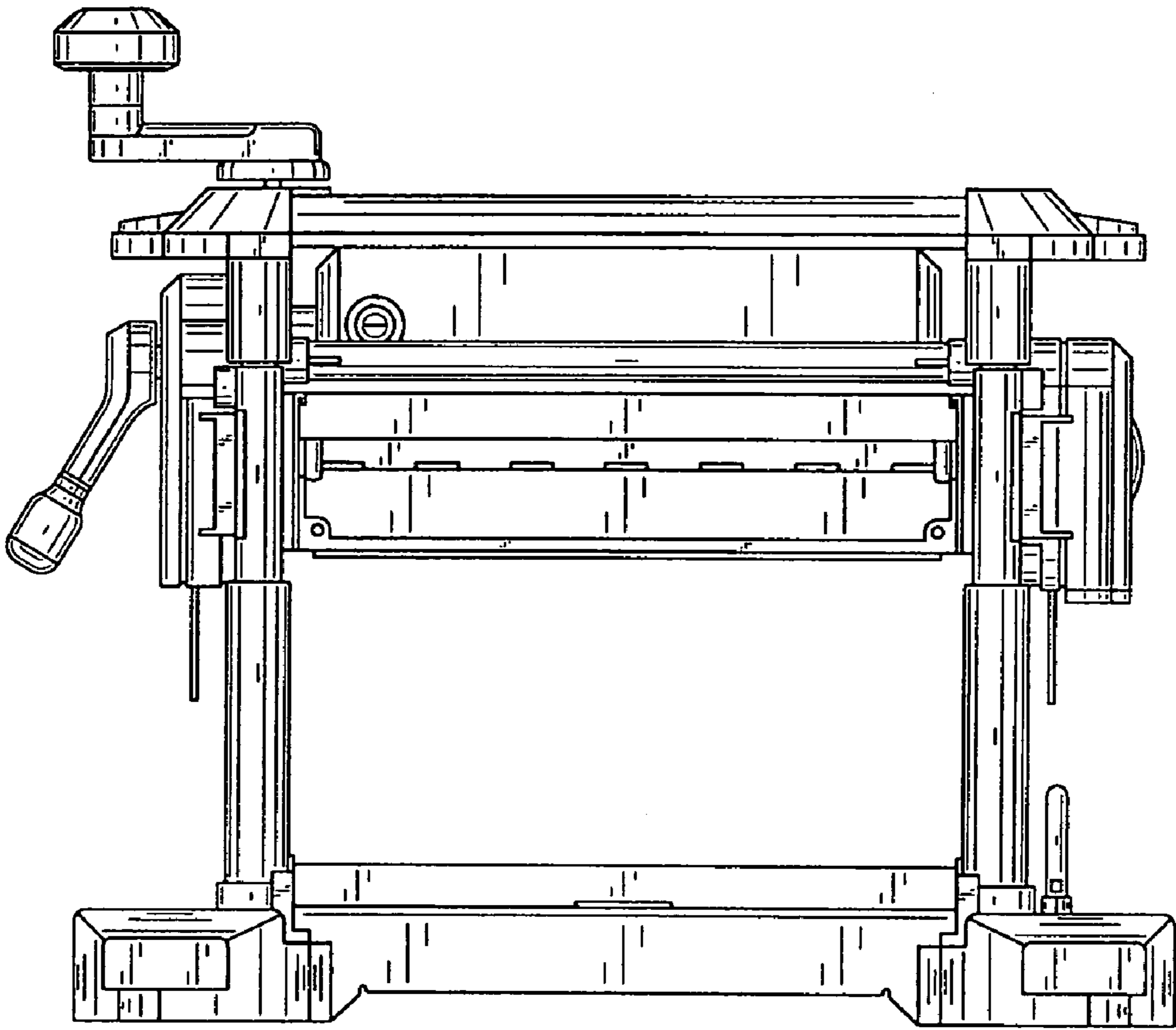


FIG. 3

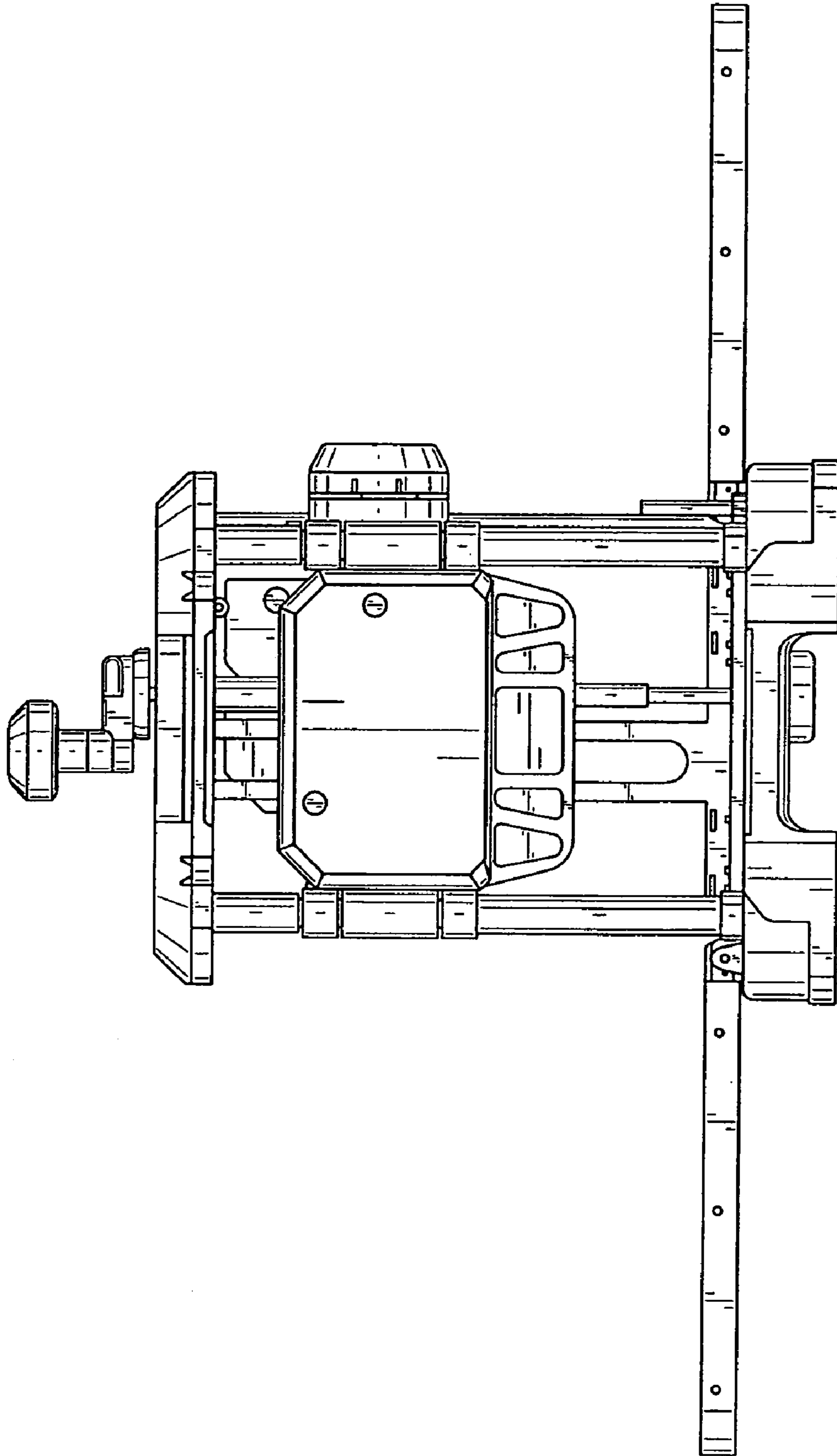


FIG. 4

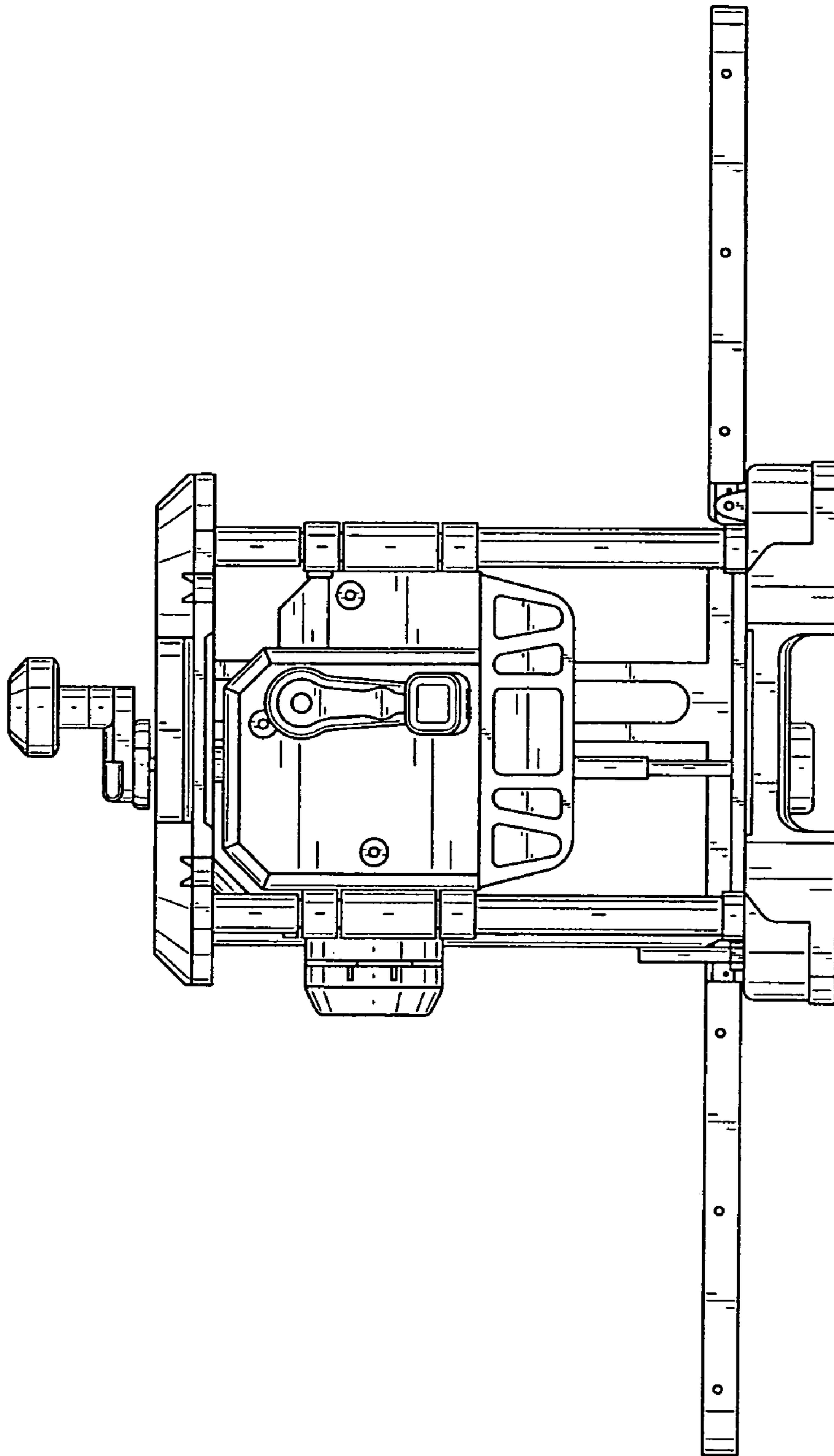


FIG. 5

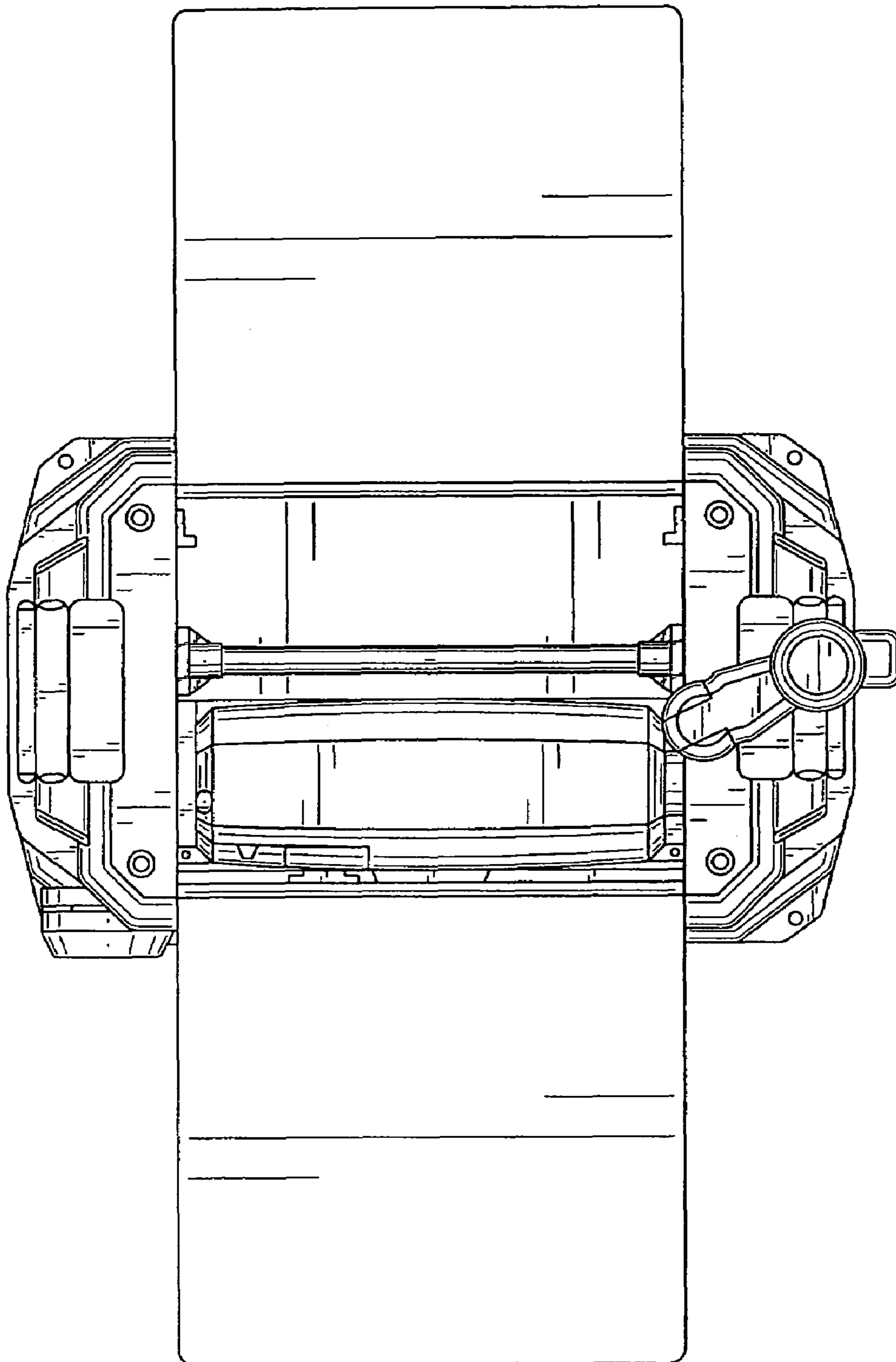


FIG. 6

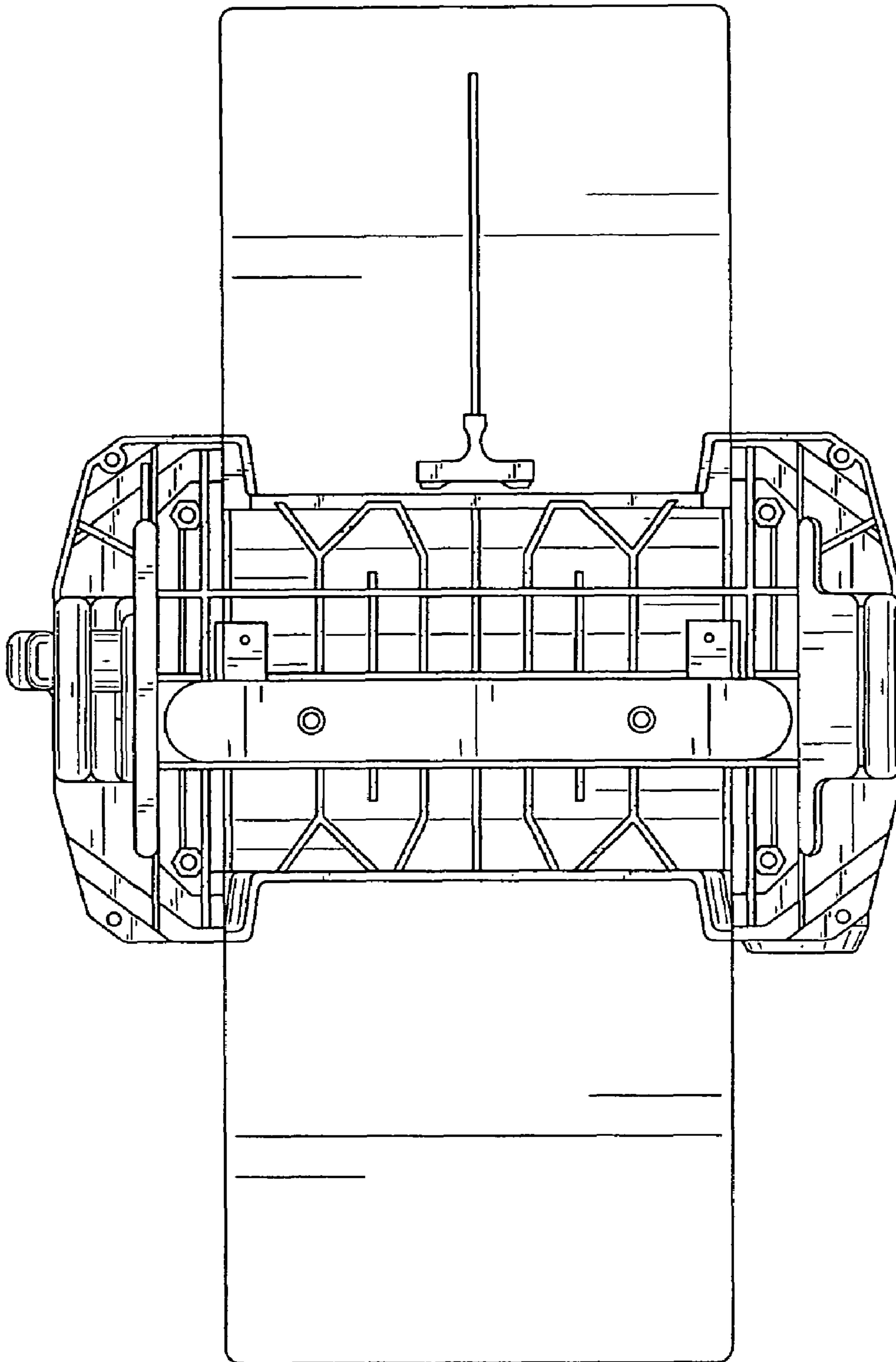


FIG. 7