



US00D551684S

(12) **United States Design Patent** (10) **Patent No.:** **US D551,684 S**
McClallen et al. (45) **Date of Patent:** **** Sep. 25, 2007**

(54) **EXCAVATOR BUCKET**

(75) Inventors: **Samuel L. McClallen**, Yorkville, IL
 (US); **Douglas R. Bye**, Hinckley, IL
 (US); **Jeremy D. Folkerts**, Lombard, IL
 (US); **Pandu R. Boyapally**, Aurora, IL
 (US)

D308,528 S 6/1990 Harr
 D326,859 S 6/1992 Cody et al.
 5,172,498 A * 12/1992 Wack 37/443
 5,253,449 A * 10/1993 Webb et al. 37/446
 D344,526 S 2/1994 Kallen et al.
 5,332,353 A 7/1994 Arnold

(Continued)

(73) Assignee: **Caterpillar Inc**, Peoria, IL (US)

(**) Term: **14 Years**

(21) Appl. No.: **29/262,303**

(22) Filed: **Jun. 29, 2006**

(51) **LOC (8) Cl.** **15-03**

(52) **U.S. Cl.** **D15/32**

(58) **Field of Classification Search** D15/10,
 D15/22-26, 28, 29, 32; D21/537; 414/722,
 414/723, 686; 172/272-275; 403/324, 326,
 403/315, 322.1; 37/403, 405, 408, 409, 411,
 37/468, 444, 446, 443, 435, 379

See application file for complete search history.

(56) **References Cited**

U.S. PATENT DOCUMENTS

2,967,726 A 1/1961 Weston
 3,543,863 A 12/1970 Ball et al.
 3,874,533 A * 4/1975 Montgomery et al. 414/723
 4,081,919 A 4/1978 Teach
 4,096,957 A 6/1978 Iverson et al.
 4,133,121 A 1/1979 Hemphill
 4,243,341 A 1/1981 Kabay et al.
 4,251,182 A 2/1981 Schroeder
 4,297,074 A 10/1981 Ballinger
 4,398,862 A 8/1983 Schroeder
 4,400,898 A 8/1983 Christensen et al.
 D274,622 S 7/1984 Neander
 4,607,977 A 8/1986 Varnelis et al.
 D299,723 S 2/1989 Frawley

FOREIGN PATENT DOCUMENTS

GB 2 362 371 B 9/2004

OTHER PUBLICATIONS

“Miller the Complete Solution,” <<http://www.miller-uk.com/index.php>>, printed Jun. 23, 2005, 3 pages.

(Continued)

Primary Examiner—Stella Reid
Assistant Examiner—Mark Goodwin
 (74) *Attorney, Agent, or Firm*—Andrew J. Ririe

(57) **CLAIM**

The ornamental design for an excavator bucket, as shown and described.

DESCRIPTION

FIG. 1 is an isometric view of an excavator bucket showing our new design.

FIG. 2 is another isometric view of the excavator bucket.

FIG. 3 is a left side view of the excavator bucket.

FIG. 4 is a top view of the excavator bucket.

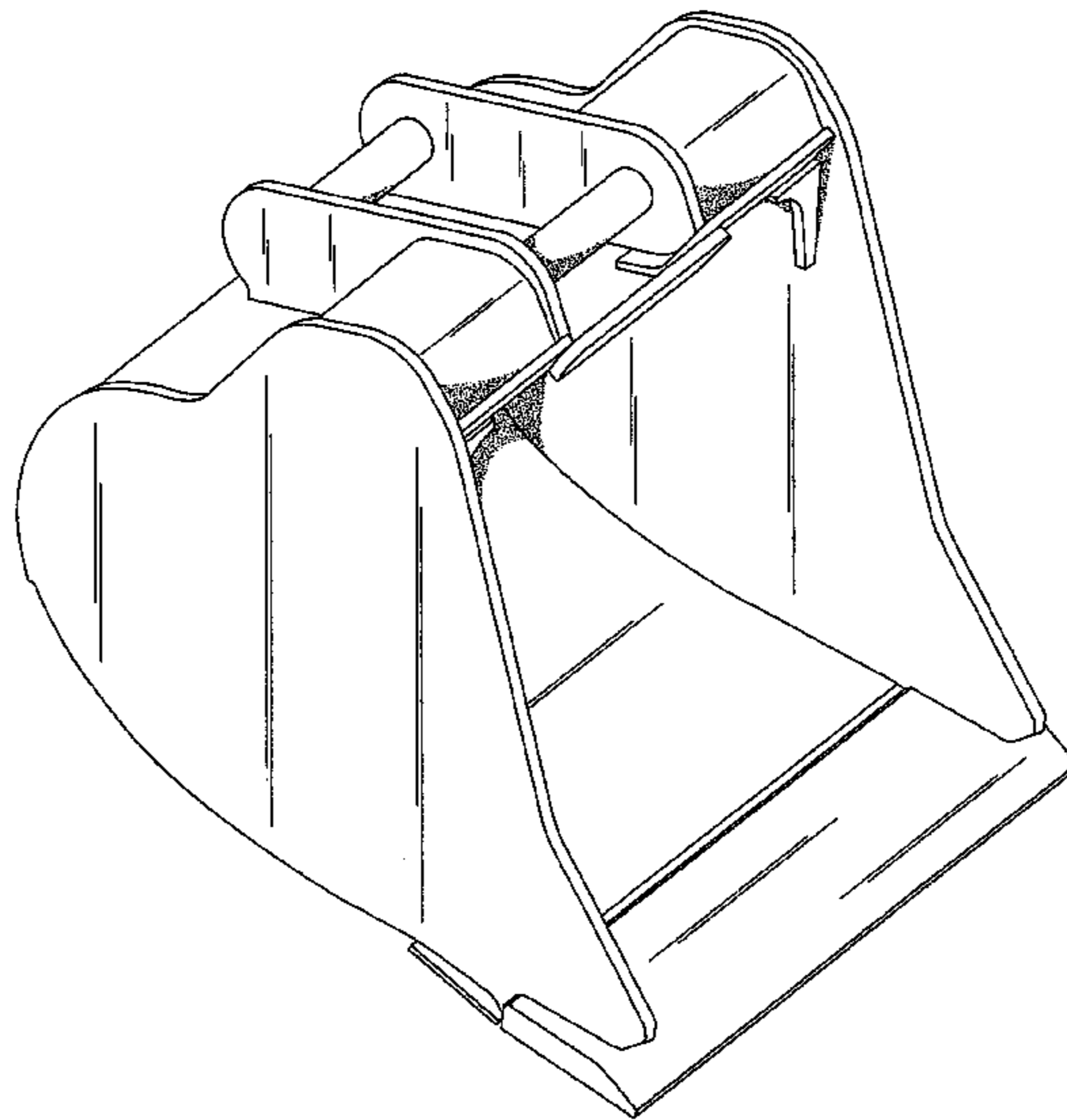
FIG. 5 is a bottom view of the excavator bucket.

FIG. 6 is a rear view of the excavator bucket; and,

FIG. 7 is a front view of the excavator bucket.

The right side view is the mirror opposite of the left side view in FIG. 3.

1 Claim, 7 Drawing Sheets



US D551,684 S

Page 2

U.S. PATENT DOCUMENTS

D357,260 S	4/1995	Kallen		6,322,280 B1	11/2001	Coyne	
5,416,990 A	5/1995	Otwell		6,350,079 B1	2/2002	Williams	
5,526,591 A *	6/1996	Otwell	37/444	6,364,561 B1	4/2002	Droegemueller	
5,581,917 A *	12/1996	Barden	37/468	D469,786 S	2/2003	Miller et al.	
5,813,822 A	9/1998	Pisco		6,659,708 B2 *	12/2003	Heiple	414/723
5,815,959 A	10/1998	Bahner et al.		6,694,571 B2	2/2004	Albright et al.	
5,927,665 A	7/1999	Grabnic		D496,052 S	9/2004	Braime et al.	
5,951,192 A	9/1999	Collins		6,877,259 B2	4/2005	Nishimura et al.	
6,070,345 A	6/2000	Akaki et al.		2002/0176772 A1	11/2002	Hung	
6,074,120 A	6/2000	Williams		2002/0192064 A1 *	12/2002	Heiple	414/723
6,108,951 A	8/2000	Renfrow et al.		2003/0131505 A1 *	7/2003	Heiple	37/468
D431,253 S	9/2000	Marchetta et al.					
6,158,917 A	12/2000	Wolin et al.					
RE37,320 E *	8/2001	Horton	37/468				
6,273,632 B1	8/2001	Takahashi et al.					
6,283,667 B1	9/2001	Neitzel					

OTHER PUBLICATIONS

“Kenco Corporation, Hard Rock Excavator Buckets,” <http://www.kenco.com/buckets_att.html>, printed Jun. 23, 2005, 4 pages.

* cited by examiner

FIG. 1.

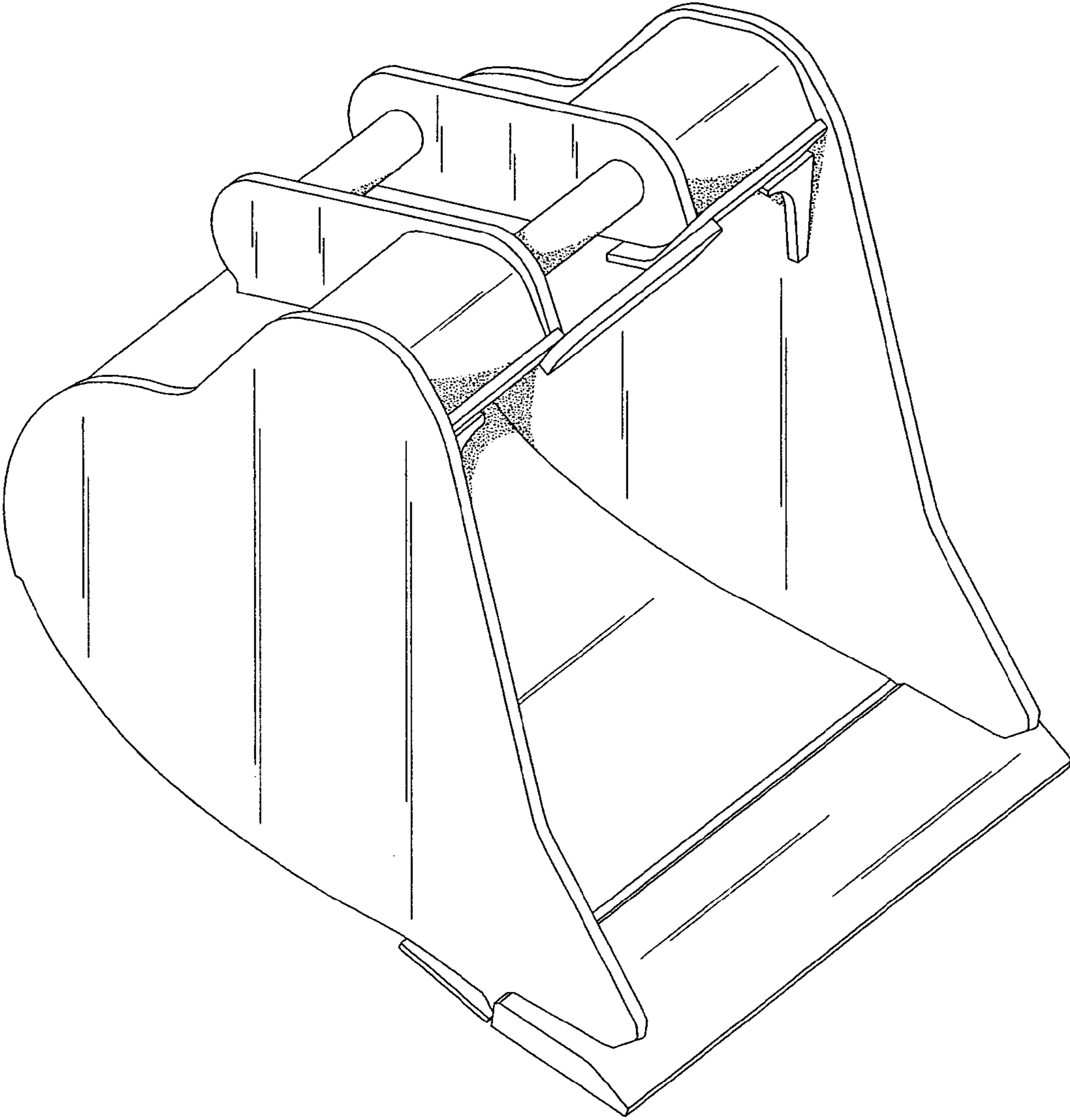


FIG. 2.

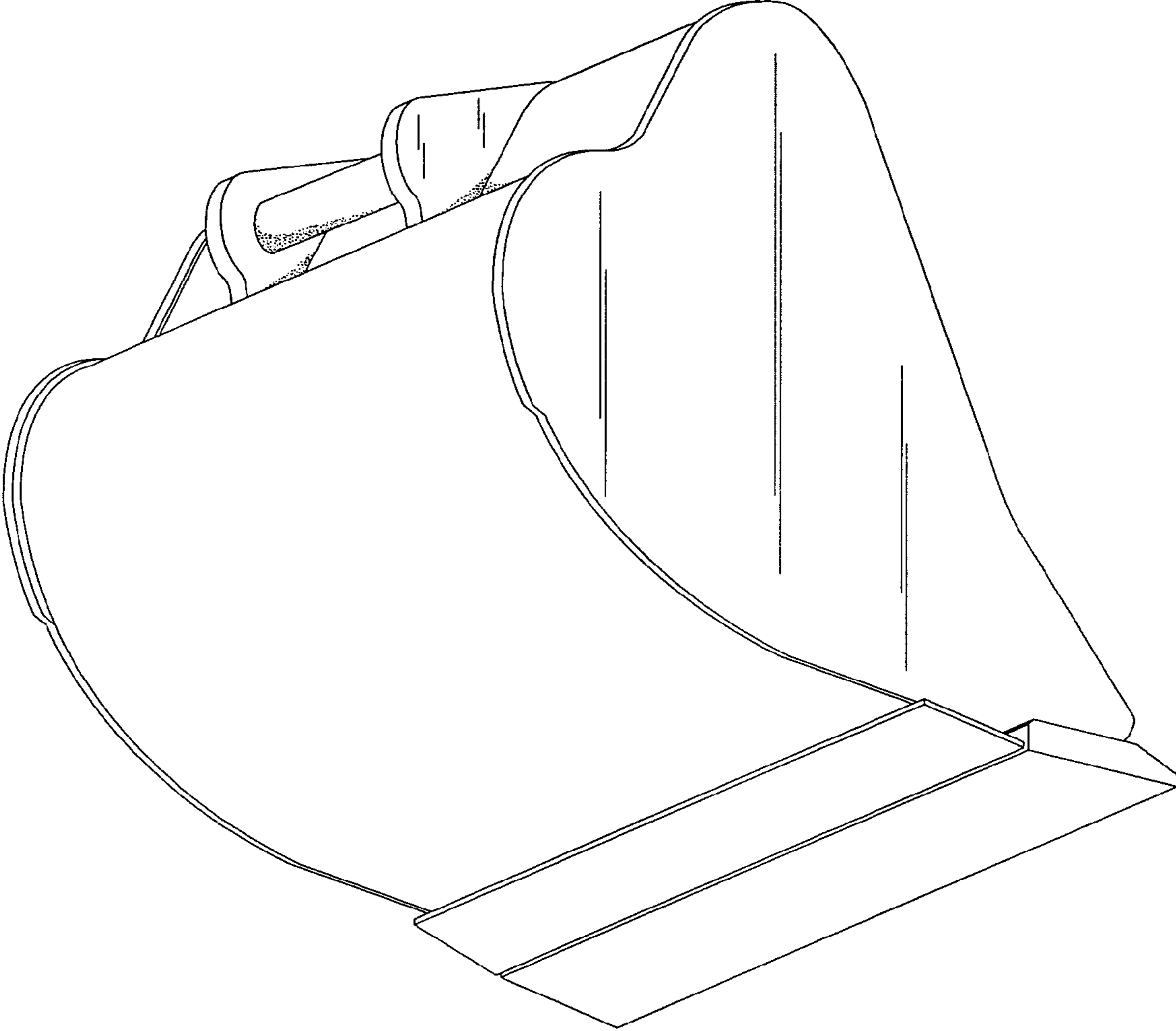


FIG. 3.

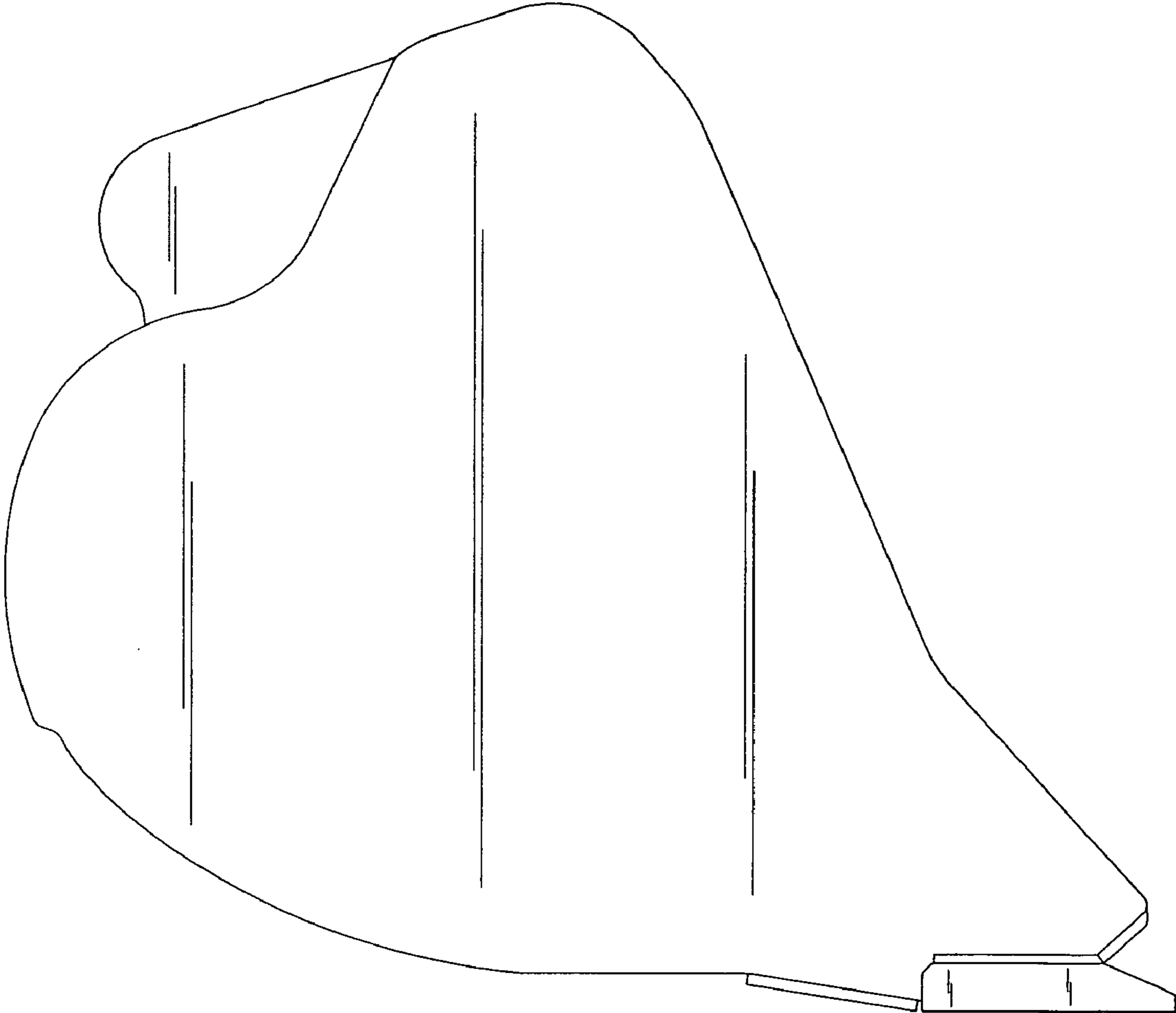


FIG. 4.

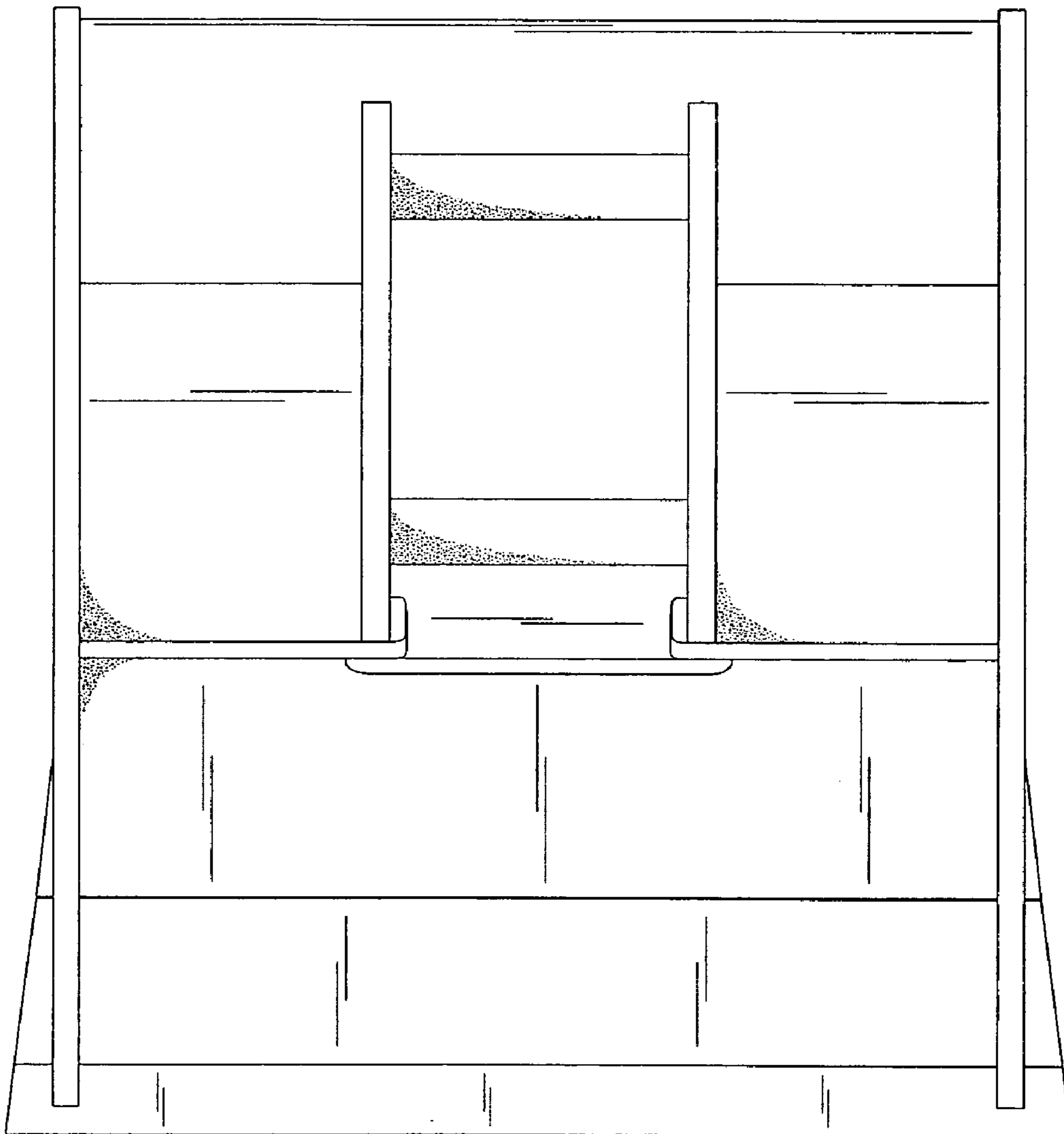


FIG. 5.

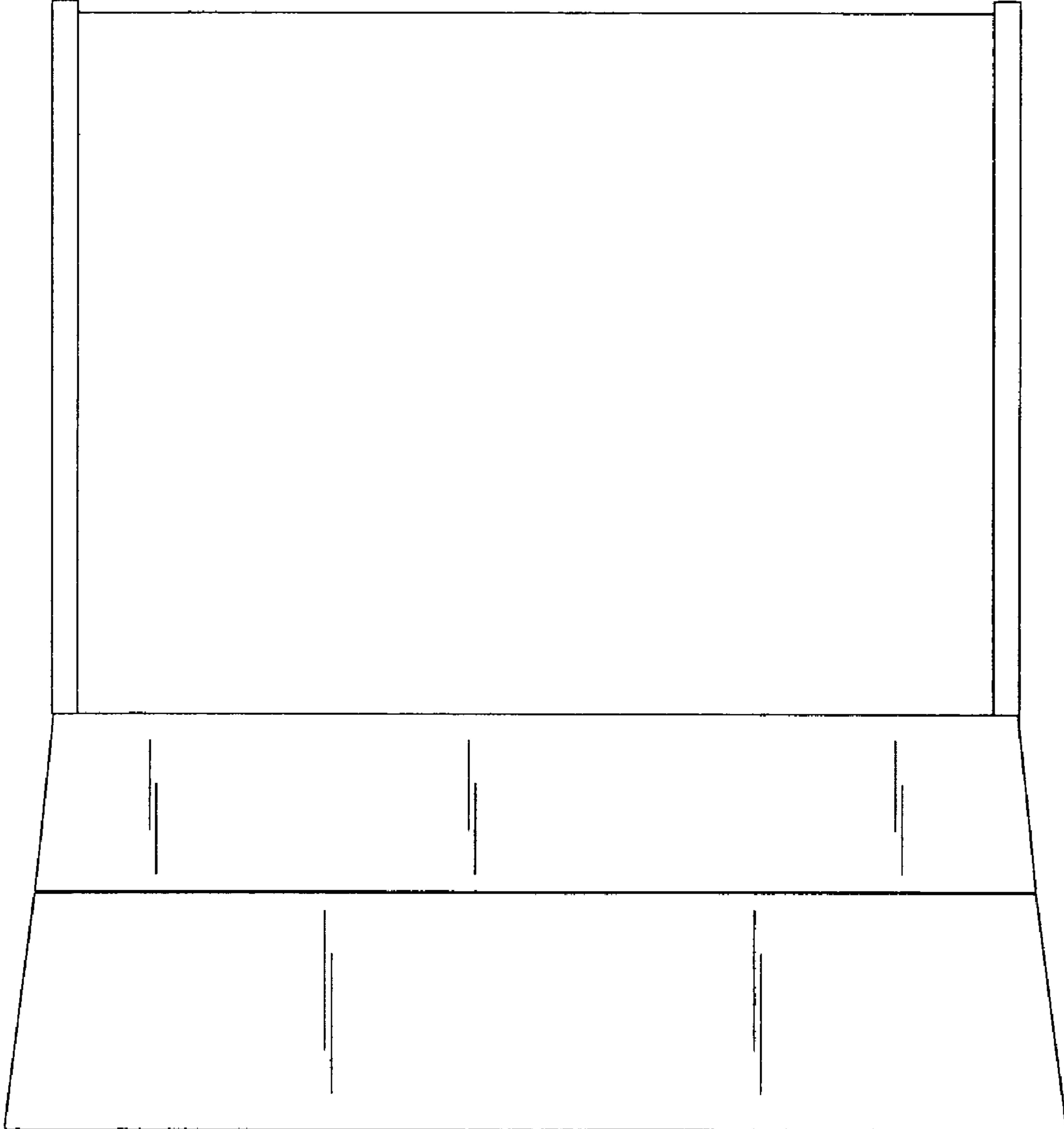


FIG. 6.

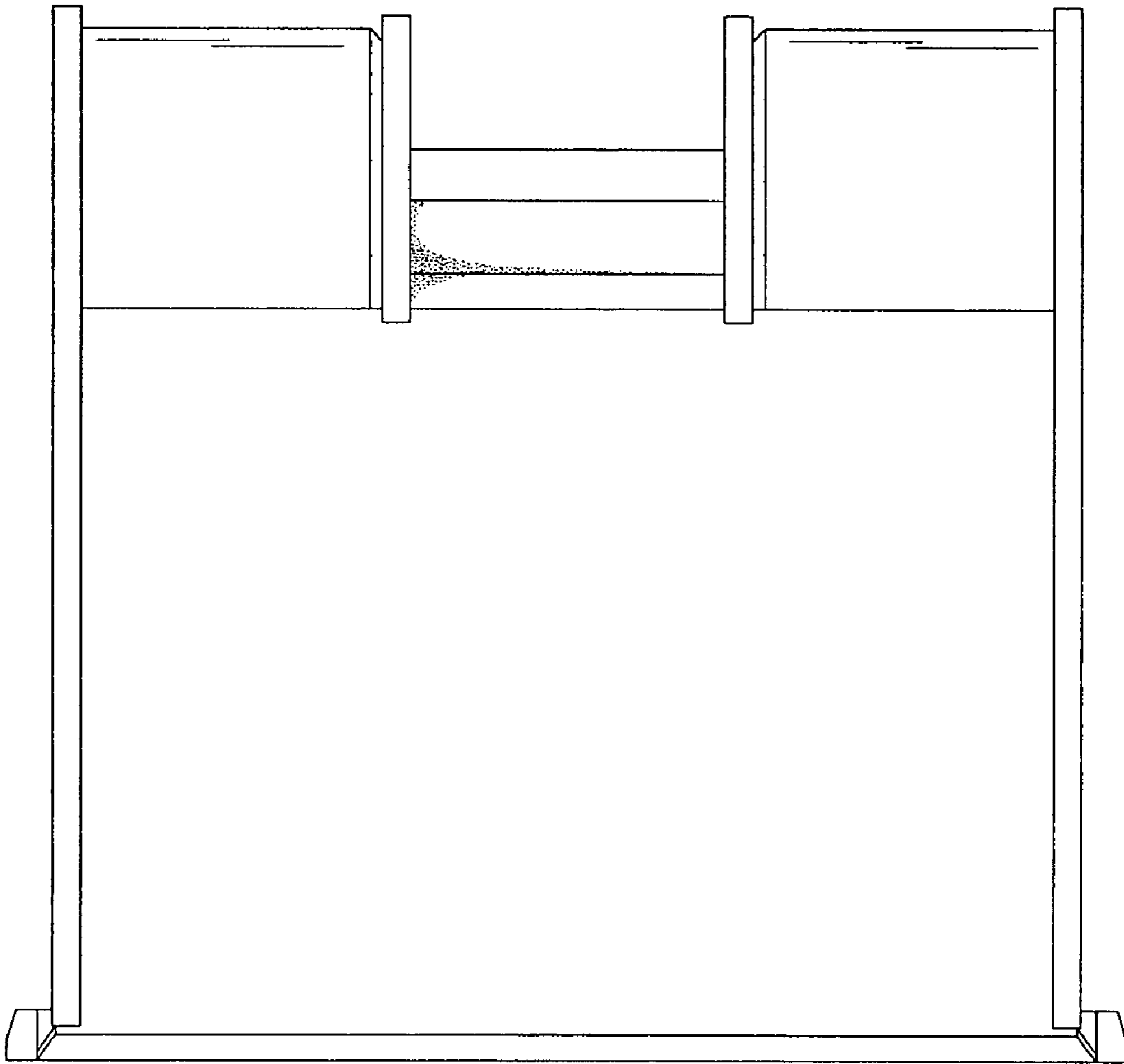


FIG - 7 -

