



US00D551682S

(12) **United States Design Patent**  
**Lucas**

(10) **Patent No.:** **US D551,682 S**

(45) **Date of Patent:** **\*\* Sep. 25, 2007**

(54) **GUARD FOR WELL OPERATIONS APPARATUS**

(75) Inventor: **Alan Randall Lucas**, Spring, TX (US)

(73) Assignee: **Varco I/P, Inc.**, Houston, TX (US)

(\*\*) Term: **14 Years**

(21) Appl. No.: **29/265,868**

(22) Filed: **Sep. 8, 2006**

(51) **LOC (8) Cl.** ..... **15-03**

(52) **U.S. Cl.** ..... **D15/21; D25/199**

(58) **Field of Classification Search** ..... D15/21,  
D15/15, 28, 10; D25/99, 141, 114, 119;  
166/378, 379, 77.52, 77.1, 78.1, 85.1, 85,  
166/360, 85.5, 241.1, 243, 341; 175/85;  
D8/499

See application file for complete search history.

(56) **References Cited**

**U.S. PATENT DOCUMENTS**

D41,329 S *	4/1911	King	.....	D15/21
1,527,178 A *	2/1925	Estes	.....	52/291
1,573,215 A *	2/1926	Yorke	.....	403/174
1,961,541 A *	6/1934	Adams	.....	212/175
D217,242 S *	4/1970	Comellas	.....	D15/28
4,030,384 A	6/1977	Atwood	.....	72/389.3
4,080,846 A	3/1978	Calhoun	.....	74/615
4,449,598 A	5/1984	Hones et al.	.....	175/85
4,529,045 A	7/1985	Boyadjieff et al.	.....	173/164
4,605,077 A	8/1986	Boyadjieff	.....	176/85
4,625,796 A *	12/1986	Boyadjieff	.....	166/77.52
4,759,414 A *	7/1988	Willis	.....	175/170
4,813,493 A	3/1989	Shaw et al.	.....	173/164
4,834,604 A *	5/1989	Brittain et al.	.....	414/22.55
4,872,517 A	10/1989	Shaw et al.	.....	173/163
5,107,940 A	4/1992	Berry	.....	175/85
5,433,279 A	7/1995	Tessari et al.	.....	173/213
6,276,450 B1	8/2001	Seneviratne	.....	166/85.1

6,530,432 B2 *	3/2003	Gipson	.....	166/384
6,536,520 B1	3/2003	Snider et al.	.....	166/78.1
6,679,333 B2	1/2004	York et al.	.....	166/379
6,688,398 B2	2/2004	Pietras	.....	166/380
6,705,405 B1	3/2004	Pietras	.....	168/380

(Continued)

**OTHER PUBLICATIONS**

Varco General Catalog 2002: Varco L.P.: cover page: pp. 44, 45, 56, 65: 2002.

BJ 1986-87 Oil Field Products and Systems; BJ Hughes Drilling Equipment; cover page, pp. 7,16; 1986.

Advanced Permanent Manet Motor Technology; Tesco Drilling Technology; 2 pp.; Apr./1998.

Powerful Hydraulic Compact Top Drive Drilling System: Tesco Drilling Technology: 2 pp.: Apr./1998.

*Primary Examiner*—Louis S. Zarfaz

*Assistant Examiner*—Anna K. Dworzecka

(74) *Attorney, Agent, or Firm*—Guy McClung

(57) **CLAIM**

The ornamental design for a guard for well operations apparatus, as shown and described.

**DESCRIPTION**

FIG. 1 is a perspective view of a design for a guard for well operations apparatus according to the present invention.

FIG. 2 is a front view of the guard of FIG. 1.

FIG. 3 is a back view of the guard of FIG. 1, opposite to the first side.

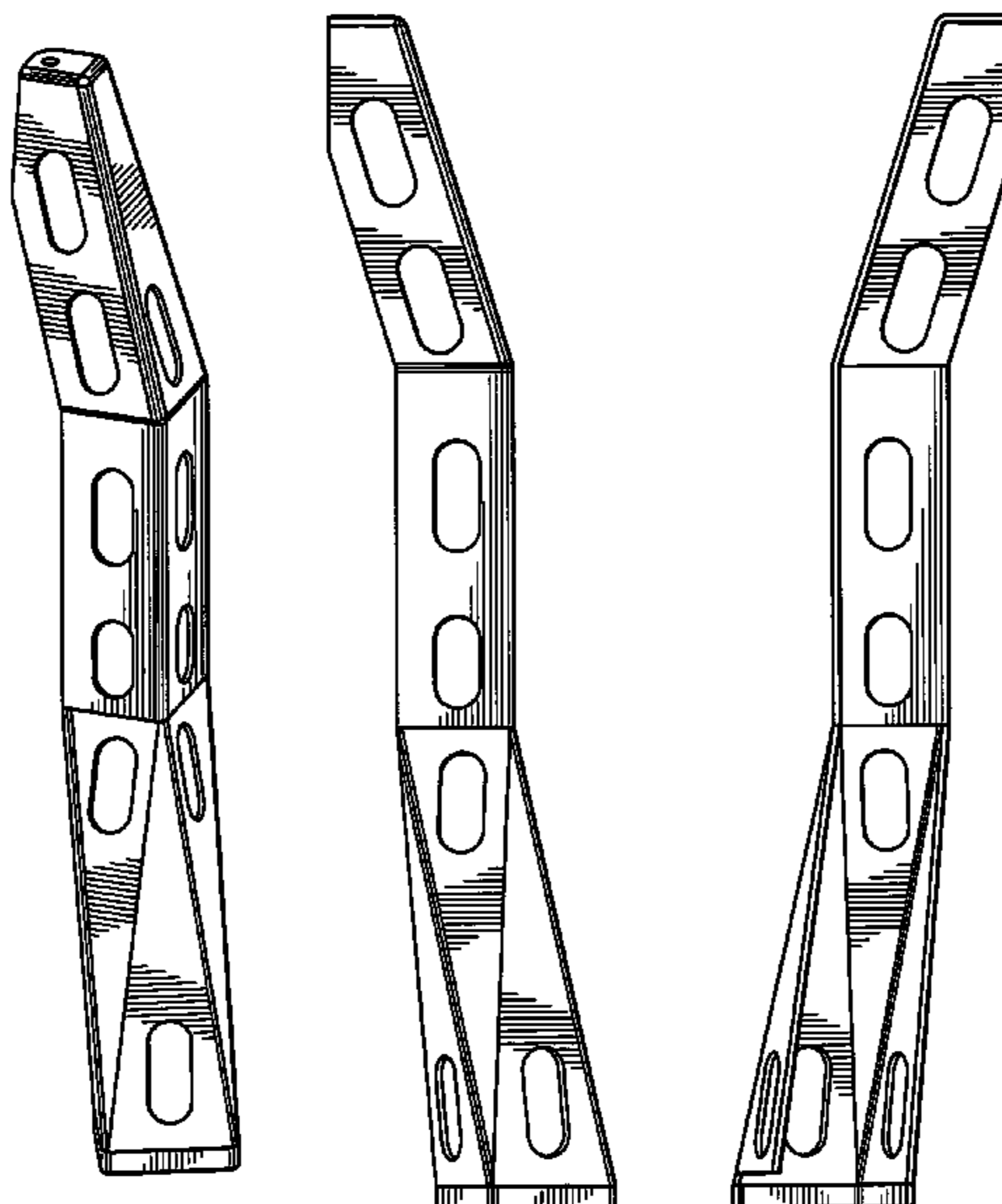
FIG. 4 is a first side view of the guard of FIG. 1.

FIG. 5 is a second side view of the guard of FIG. 1, opposite the first side shown in FIG. 4.

FIG. 6 is a top view of the guard of FIG. 1; and,

FIG. 7 is a bottom view of the guard of FIG. 1.

**1 Claim, 2 Drawing Sheets**



# US D551,682 S

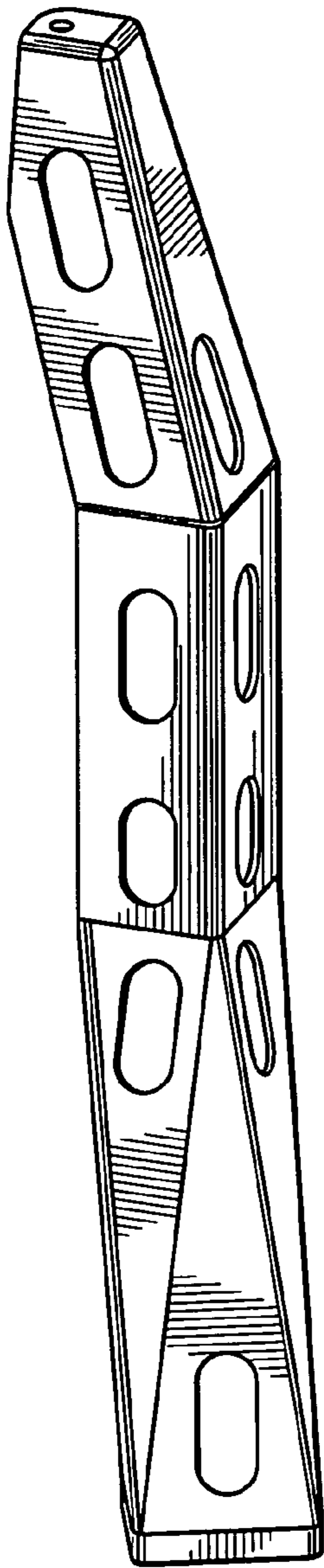
Page 2

---

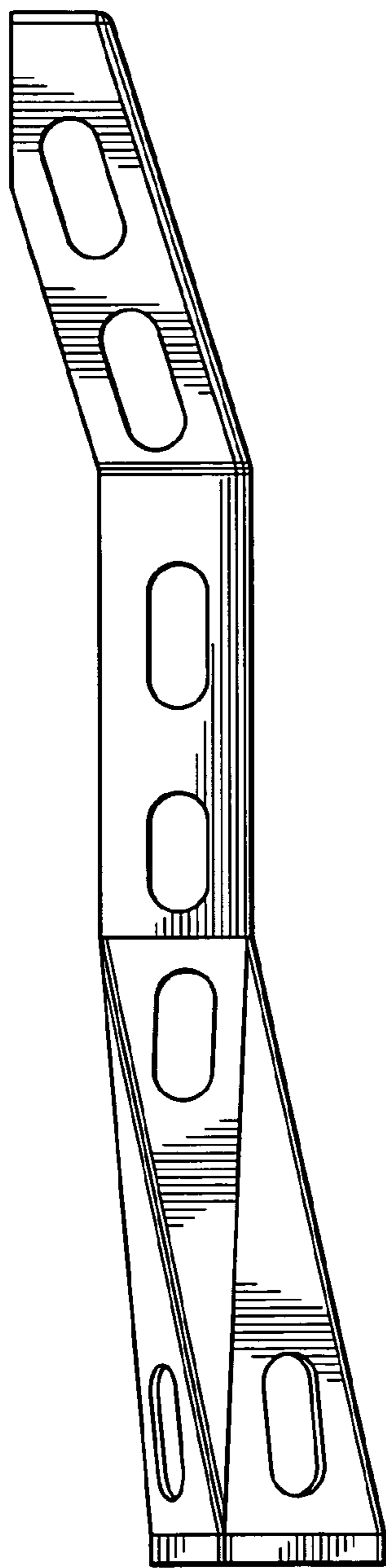
## U.S. PATENT DOCUMENTS

6,725,938	B1	4/2004	Pietras .....	166/380	2004/0221994	A1	11/2004	Kauffman et al. ....	165/380
6,973,979	B2 *	12/2005	Carriere et al. ....	175/203	2005/0269072	A1	12/2005	Folk et al. ....	166/90.1
7,040,406	B2 *	5/2006	Dore et al. ....	166/338	2005/0269104	A1 *	12/2005	Folk et al. ....	166/379
D532,798	S	11/2006	Folk et al. ....	D15/21	2005/0274508	A1	12/2005	Folk et al. ....	166/77.52
D533,196	S	12/2006	Folk et al. ....	D15/21	2005/0279492	A1	12/2005	Folk et al. ....	166/77.1
2003/0141057	A1 *	7/2003	Homstvedt et al. ....	166/265	2005/0279507	A1	12/2005	Folk et al. ....	166/378
2003/0168221	A1 *	9/2003	Zachman .....	166/378					

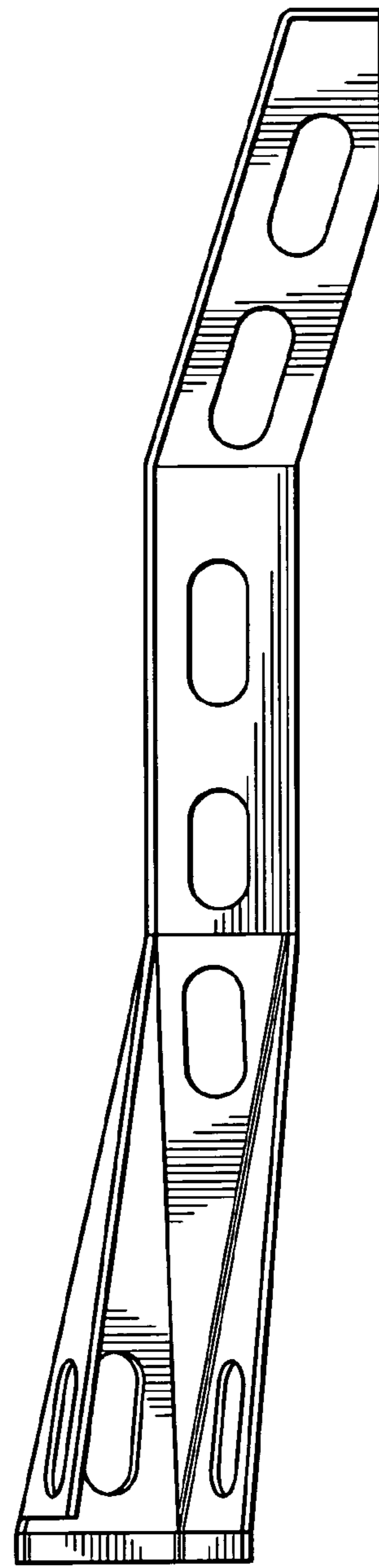
\* cited by examiner



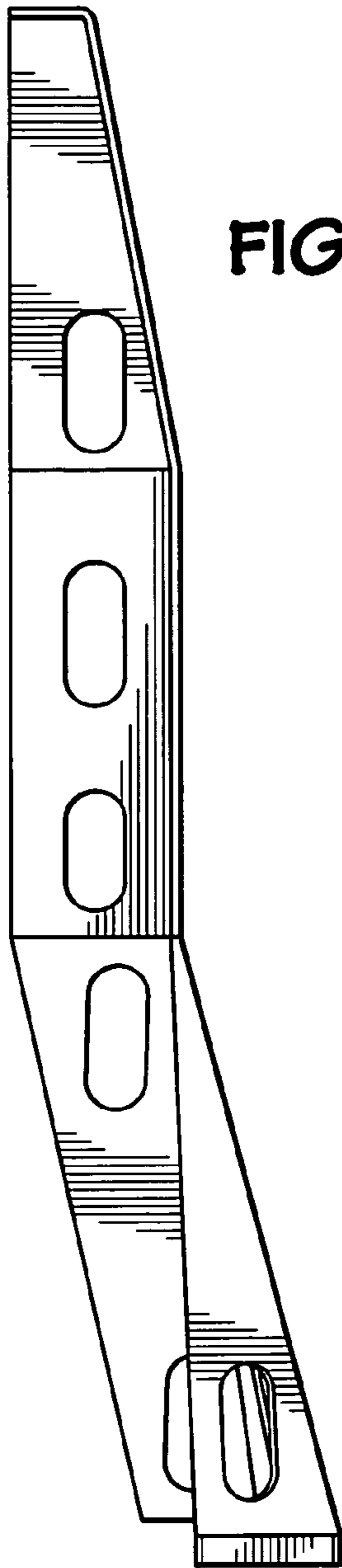
**FIG. 1**



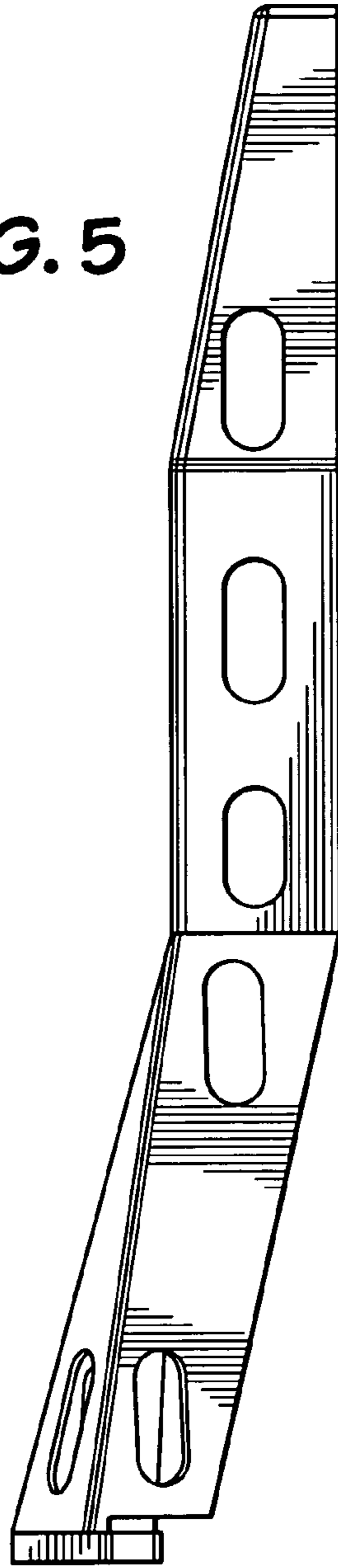
**FIG. 2**



**FIG. 3**

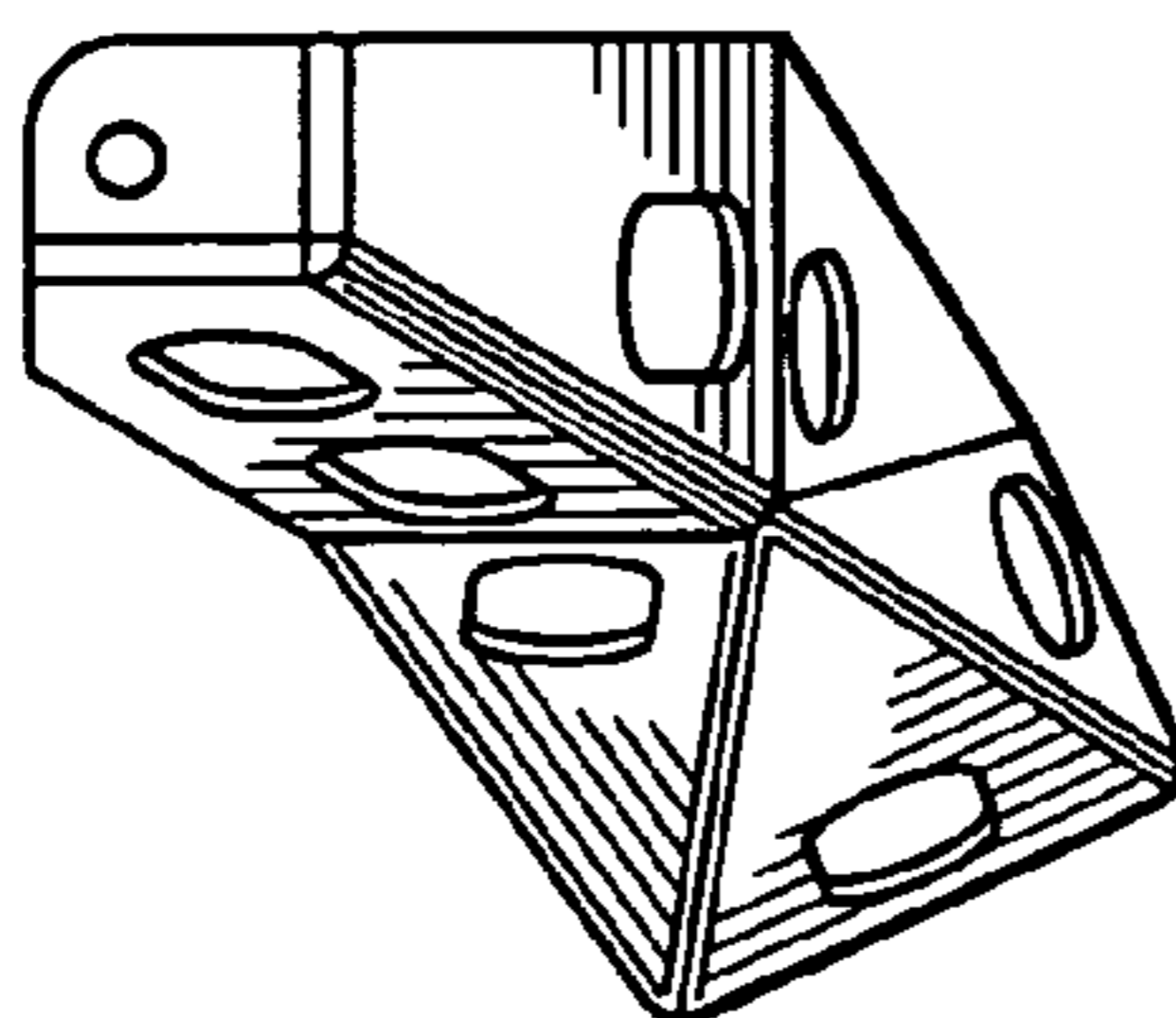


**FIG. 4**



**FIG. 5**

**FIG. 6**



**FIG. 7**

