



US00D551668S

(12) **United States Design Patent** (10) **Patent No.:** **US D551,668 S**  
**Newby et al.** (45) **Date of Patent:** **\*\* Sep. 25, 2007**

(54) **WIRELESS NETWORK ADAPTER**

(75) Inventors: **Paul Michael Newby**, Palo Alto, CA (US); **Jeff Cross**, Aptos, CA (US); **Julian Peck**, San Francisco, CA (US); **Fadhly Bey**, San Francisco, CA (US); **Roger Hsu**, Belmont, CA (US)

(73) Assignee: **TiVo Inc.**, Alviso, CA (US)

(\*\*) Term: **14 Years**

(21) Appl. No.: **29/240,914**

(22) Filed: **Oct. 19, 2005**

(51) **LOC (8) Cl.** ..... **14-02**

(52) **U.S. Cl.** ..... **D14/433**

(58) **Field of Classification Search** .....  
379/433.01-433.13, 419, 434, 428.01-428.04,  
379/420.01, 420.02, 420.03, 420.04, 440;  
D14/433, 299, 125, 358, 137, 139, 230-238;  
343/720, 900, 713, 878, 905, 906, 715, 749,  
343/752, 895, 714, 806, 802, 823, 805, 872,  
343/705, 708; D12/42, 43; 439/11, 638;  
455/90.2-90.3, 91, 347, 128, 269, 344, 550.1-90  
See application file for complete search history.

(56) **References Cited**

**U.S. PATENT DOCUMENTS**

D398,611	S	*	9/1998	Read	.....	D14/230
D411,204	S	*	6/1999	Nagele et al.	.....	D14/248
D418,839	S	*	1/2000	Brunner et al.	.....	D14/230
D421,017	S	*	2/2000	Phipps	.....	D14/230
6,107,969	A	*	8/2000	Gulino et al.	.....	343/702
D431,558	S	*	10/2000	Winstead et al.	.....	D14/248
6,249,688	B1	*	6/2001	Holshouser et al.	.....	455/575.7
6,301,489	B1	*	10/2001	Winstead et al.	.....	455/575.7
D454,125	S	*	3/2002	Stout et al.	.....	D14/230
6,394,813	B1	*	5/2002	Stout et al.	.....	439/11
D468,282	S	*	1/2003	Chen	.....	D14/138
6,544,075	B1	*	4/2003	Liao	.....	439/638
D481,697	S	*	11/2003	Rausch et al.	.....	D14/138
D486,811	S	*	2/2004	Lheem	.....	D14/138

D488,144	S	*	4/2004	Hwang	.....	D14/138
D488,788	S	*	4/2004	Chan	.....	D14/138
D489,696	S	*	5/2004	Cho	.....	D14/138
D490,792	S	*	6/2004	Lee	.....	D14/138
D491,908	S	*	6/2004	Son	.....	D14/138
6,758,689	B1	*	7/2004	Bair et al.	.....	439/136
D494,946	S	*	8/2004	Rausch et al.	.....	D14/138
D495,675	S	*	9/2004	Nuovo et al.	.....	D14/144
D521,478	S	*	5/2006	Lee et al.	.....	D14/138
D521,484	S	*	5/2006	Oh et al.	.....	D14/138
2004/0155822	A1	*	8/2004	Lien	.....	343/702
2004/0192220	A1	*	9/2004	Huang et al.	.....	455/74

\* cited by examiner

*Primary Examiner*—M. H. Tung

*Assistant Examiner*—Susan Moon Lee

(74) *Attorney, Agent, or Firm*—Kirk D. Wong; Hickman Palermo Truong & Becker LLP

(57) **CLAIM**

An ornamental design for a wireless network adapter, as shown and described.

**DESCRIPTION**

FIG. 1 is a perspective view of an ornamental design for a wireless network adapter according to the invention;

FIG. 2 is a top view of an ornamental design for a wireless network adapter according to the invention;

FIG. 3 is a bottom view of an ornamental design for a wireless network adapter according to the invention;

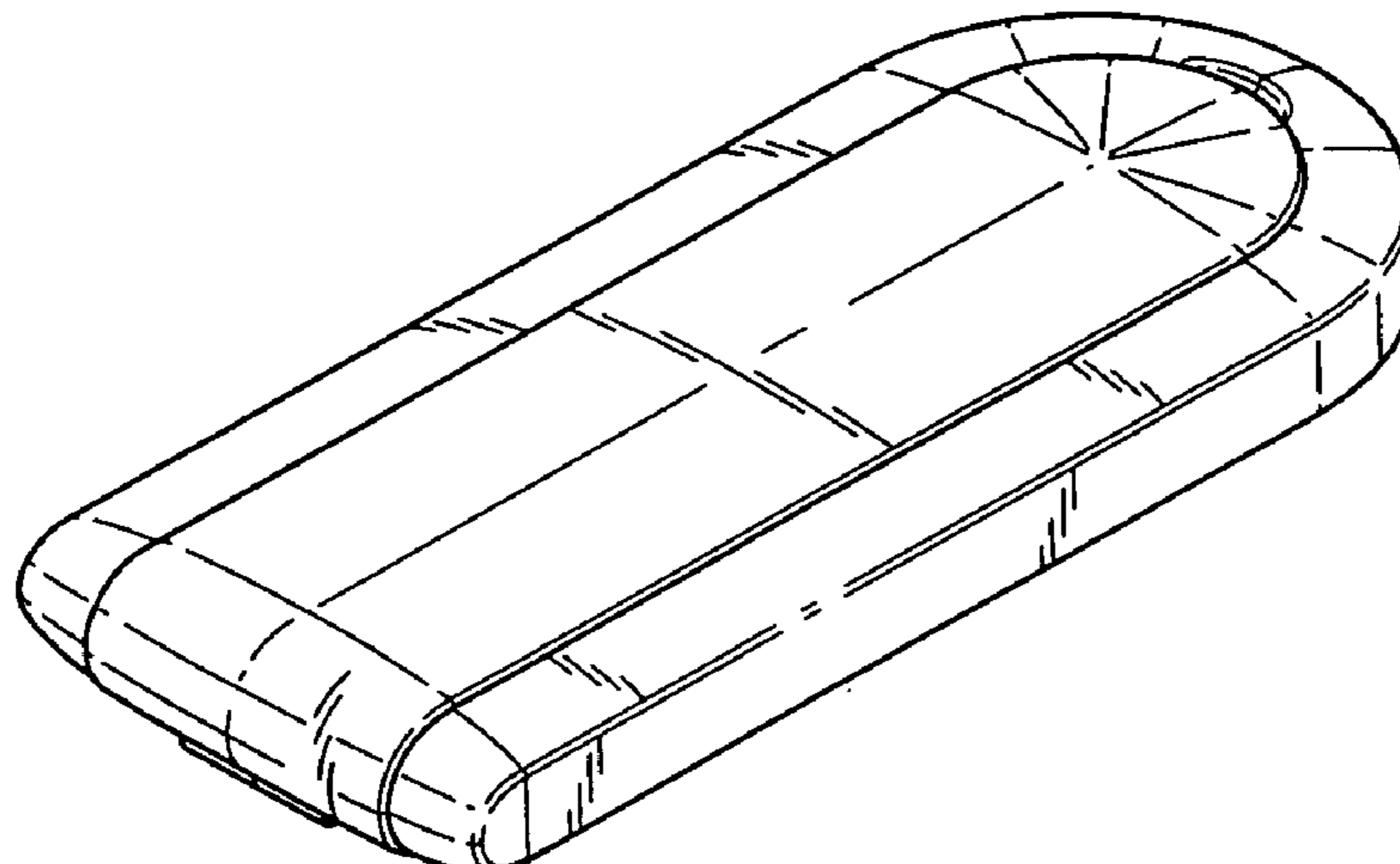
FIG. 4 is a side view of an ornamental design for a wireless network adapter according to the invention;

FIG. 5 is a front view of an ornamental design for a wireless network adapter according to the invention; and,

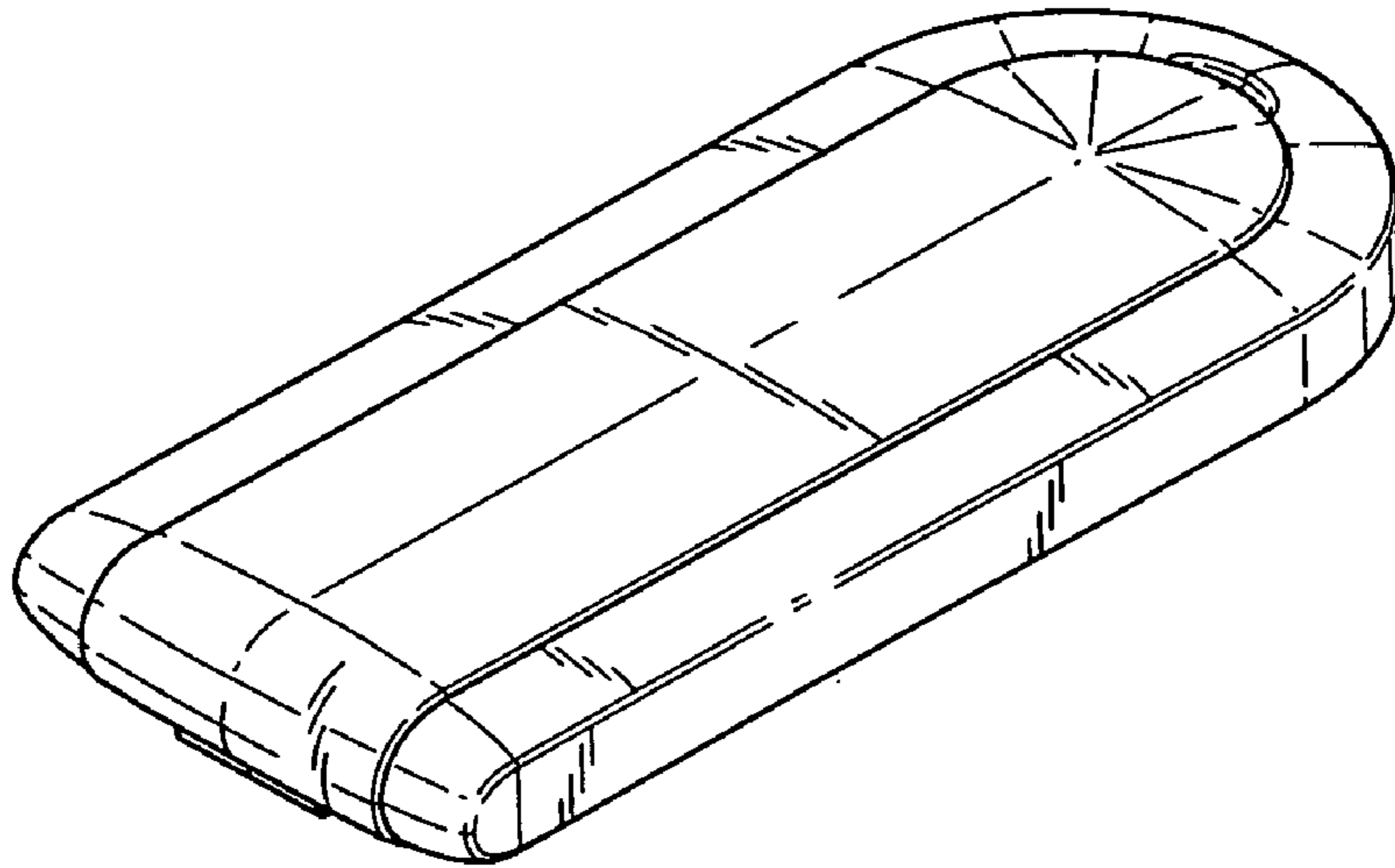
FIG. 6 is a rear view of an ornamental design for a wireless network adapter according to the invention.

The portions shown in broken line form no part of the claimed design.

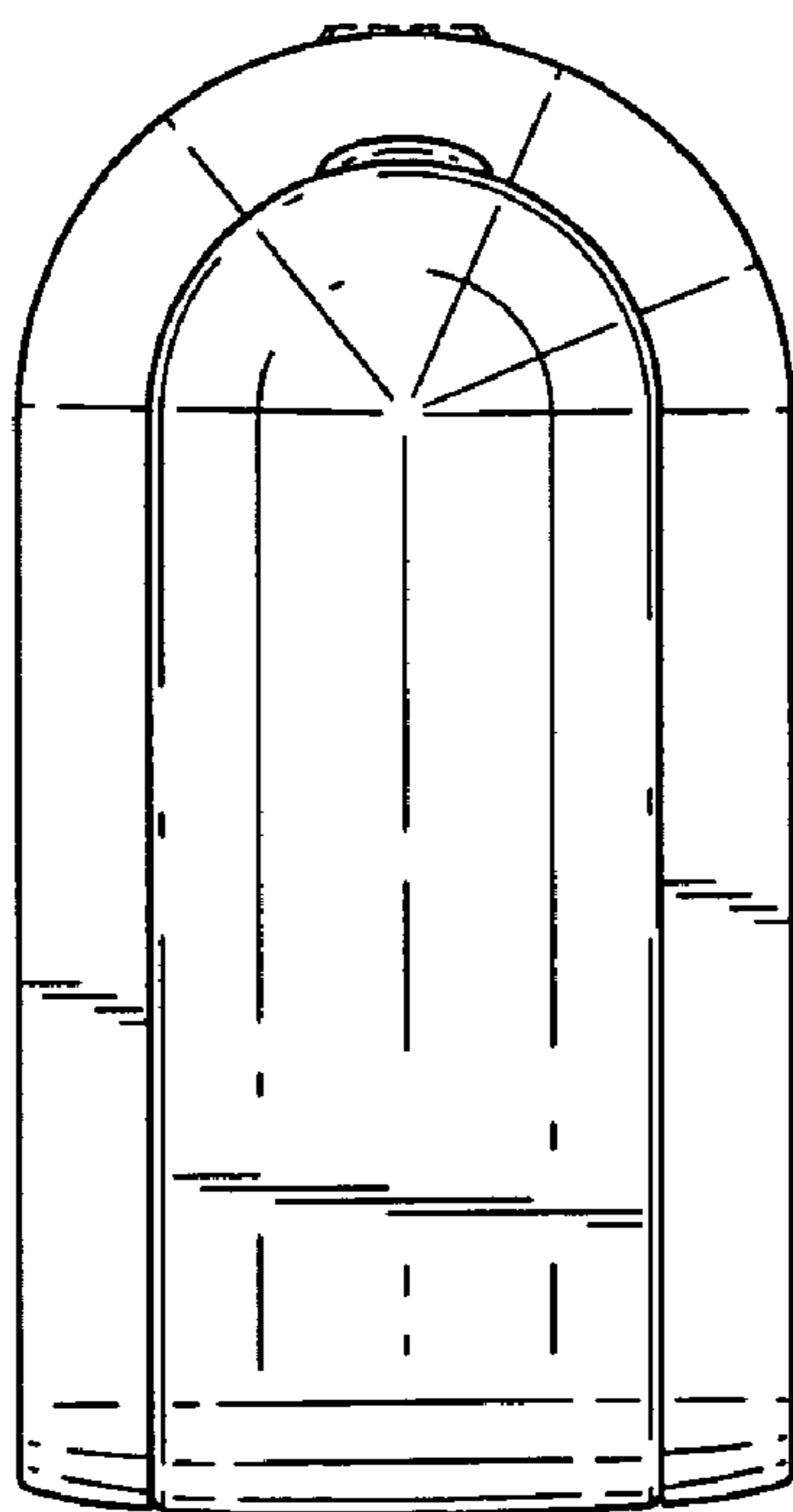
**1 Claim, 2 Drawing Sheets**



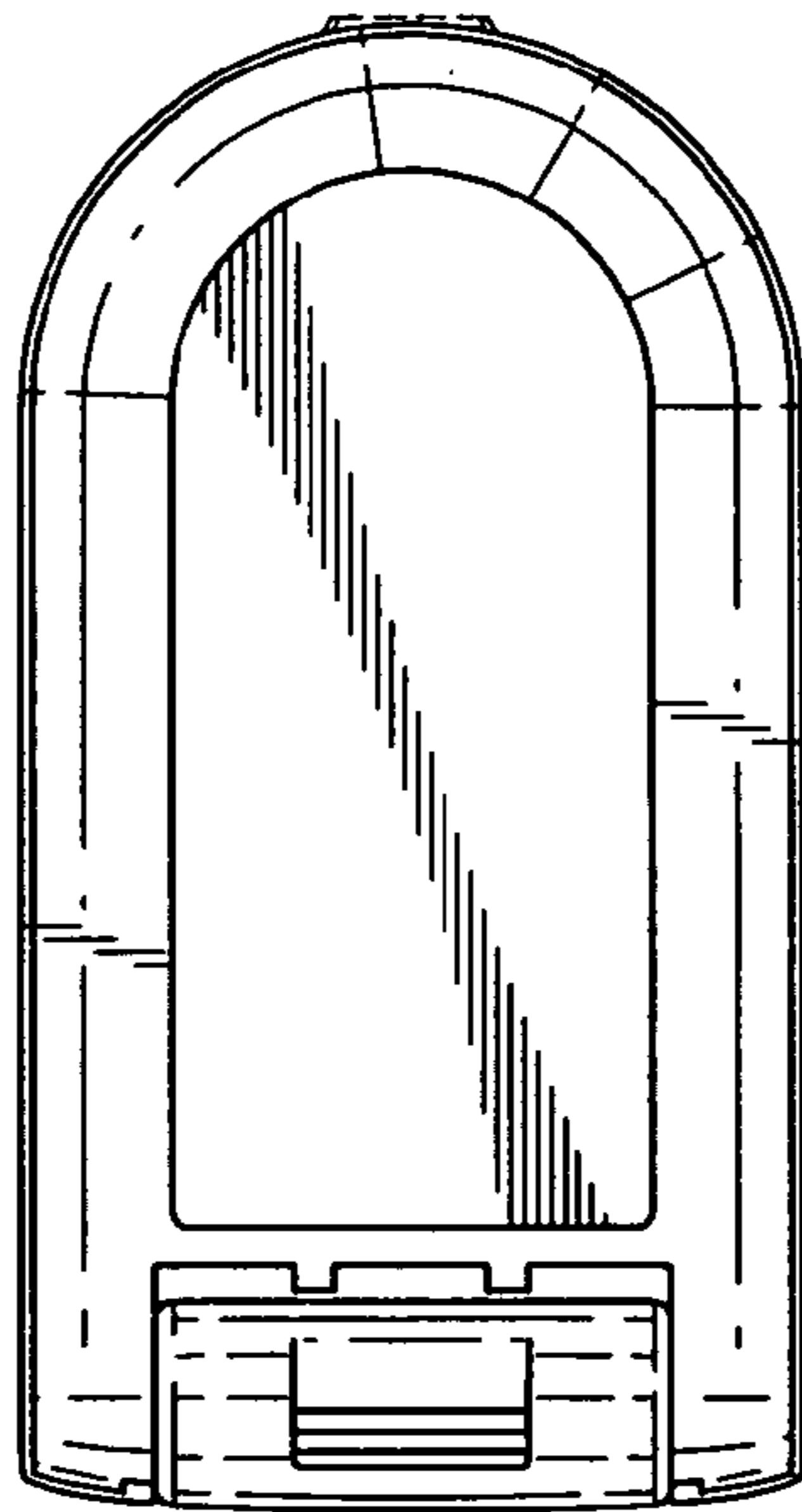
**FIG. 1**



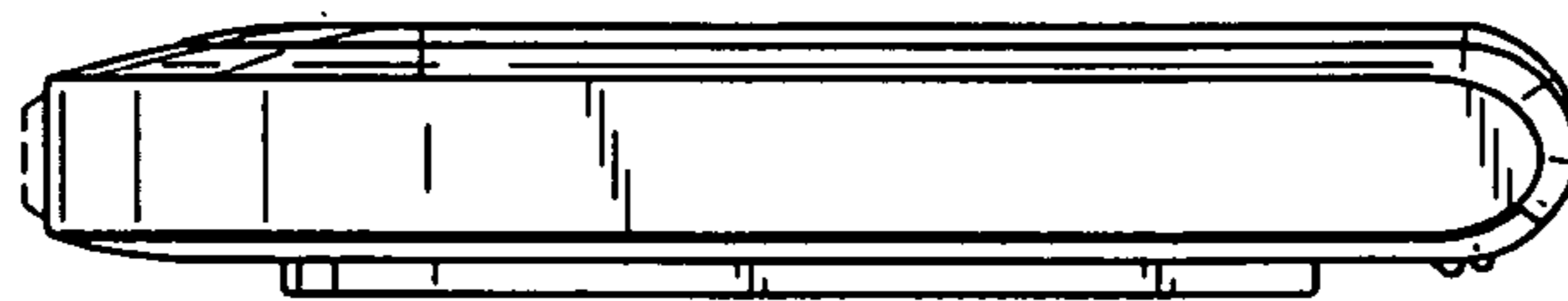
**FIG. 2**



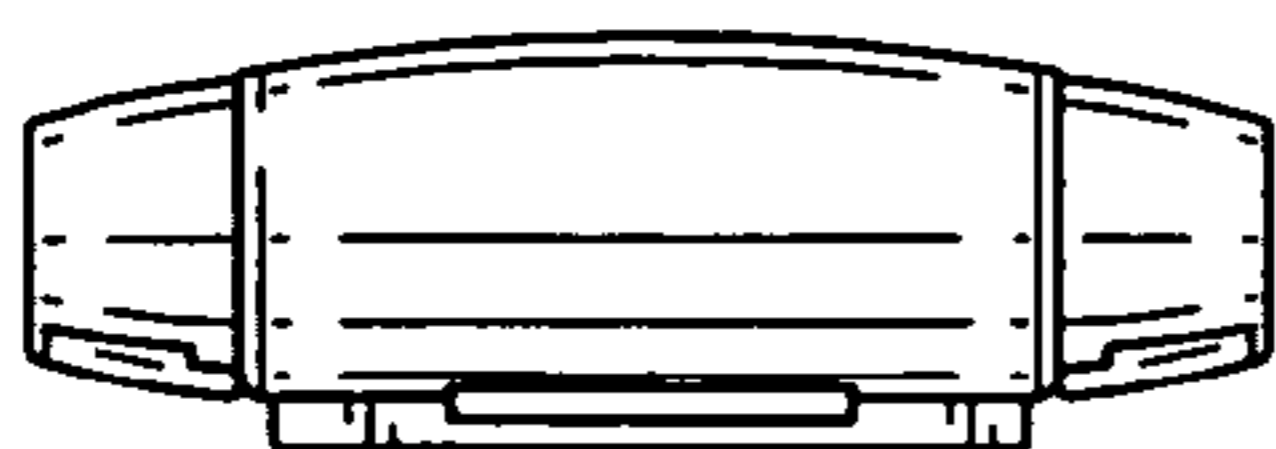
**FIG. 3**



**FIG. 4**



**FIG. 5**



**FIG. 6**

