



US00D551664S

(12) **United States Design Patent**
Lin et al.

(10) **Patent No.:** **US D551,664 S**

(45) **Date of Patent:** **** Sep. 25, 2007**

(54) **PERSONAL DIGITAL ASSISTANT DEVICE**

(75) Inventors: **Shiou Yuan Lin**, Taipei (TW); **Chiang Chih-Kuang**, Taipei (TW); **Chin-Pang Hsu**, Taipei (TW); **Lee Hou Chih**, Taipei (TW)

(73) Assignee: **First International Computer, Inc.**, Taipei (TW)

(**) Term: **14 Years**

(21) Appl. No.: **29/252,204**

(22) Filed: **Jan. 20, 2006**

(30) **Foreign Application Priority Data**

Dec. 16, 2005 (TW) 94307720

(51) **LOC (8) Cl.** **14-02**

(52) **U.S. Cl.** **D14/341**

(58) **Field of Classification Search** D14/341-346, D14/336, 337, 371, 374; 345/104, 133, 156, 345/168, 173; 348/180, 184, 325, 739; 385/88; 361/680-686; 710/62

See application file for complete search history.

(56) **References Cited**

U.S. PATENT DOCUMENTS

D356,547 S * 3/1995 Silva et al. D14/341
D418,117 S * 12/1999 Wade et al. D14/342
6,065,880 A * 5/2000 Thompson 385/88
6,182,169 B1 * 1/2001 Force et al. 710/62
D441,359 S * 5/2001 Iseki et al. D14/341

D451,097 S * 11/2001 Schmeisser et al. D14/371
D473,230 S * 4/2003 Hirano D14/374
D473,557 S * 4/2003 Borsboom et al. D14/374
D480,084 S * 9/2003 Borsboom et al. D14/374
D491,560 S * 6/2004 Hsu Li D14/371
6,757,156 B2 * 6/2004 Adams et al. 361/681

* cited by examiner

Primary Examiner—Freda S. Nunn

(74) *Attorney, Agent, or Firm*—Birch, Stewart, Kolasch & Birch, LLP

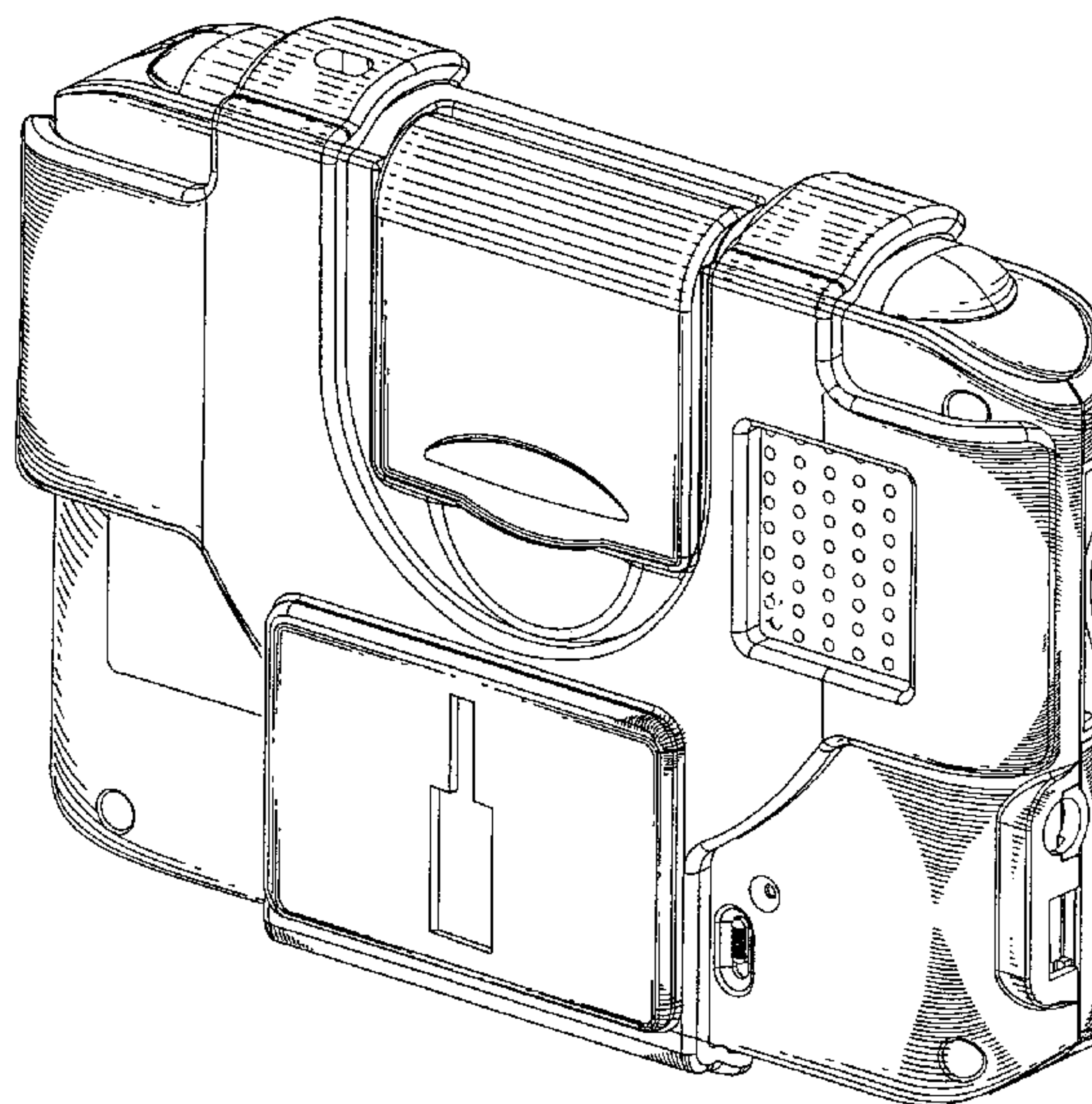
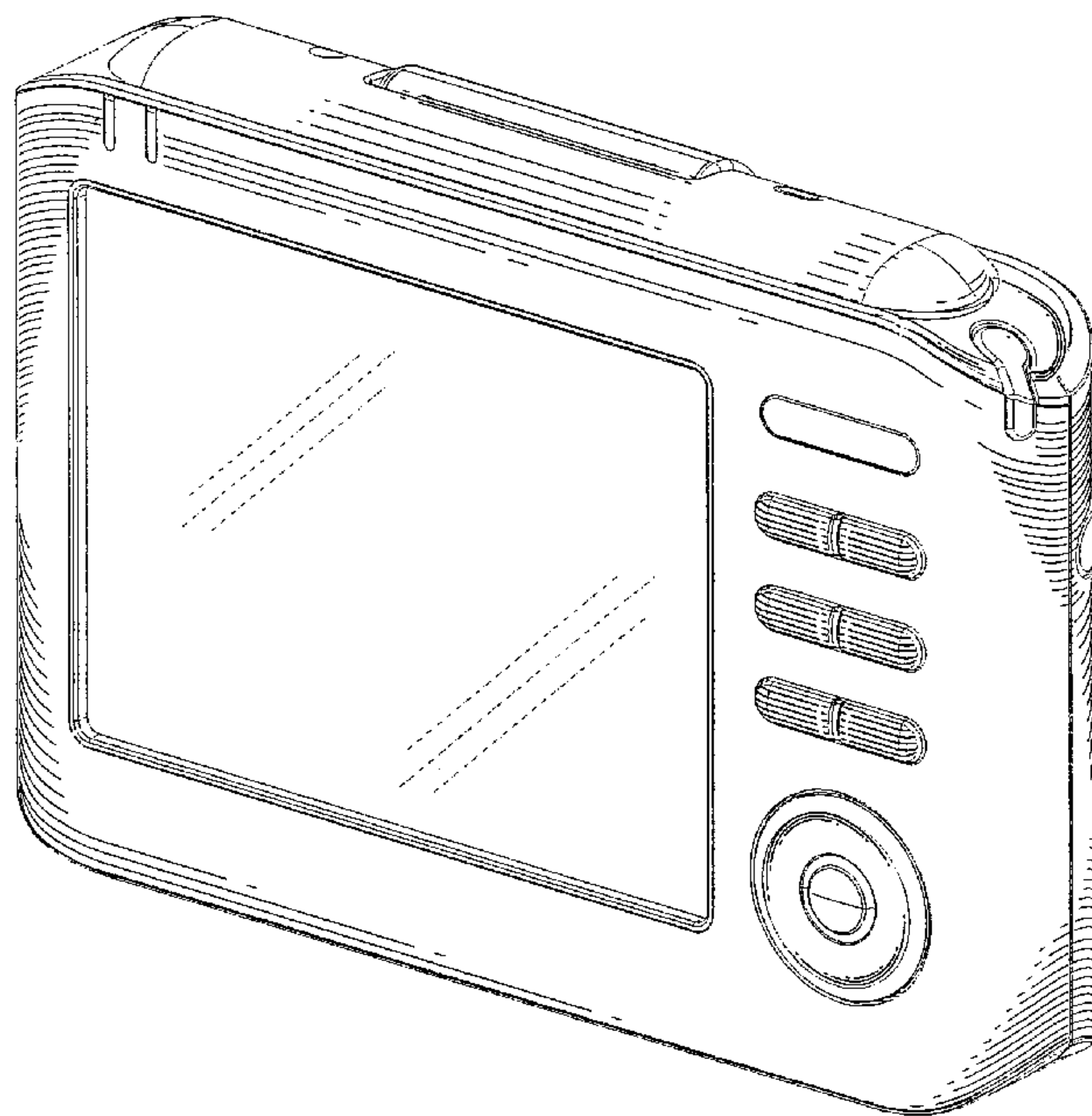
(57) **CLAIM**

The ornamental design for a personal digital assistant device, as shown and described.

DESCRIPTION

FIG. 1 is a front perspective view thereof;
FIG. 2 is a front elevational view thereof;
FIG. 3 is a rear elevational view thereof;
FIG. 4 is a left side elevational view thereof;
FIG. 5 is a right side elevational view thereof;
FIG. 6 is a top plane view thereof.
FIG. 7 is a bottom plane view thereof.
FIG. 8 is a front perspective view with clip thereof.
FIG. 9 is a rear perspective view with clip thereof; and,
FIG. 10 is a rear perspective view with antenna stir up thereof.

1 Claim, 10 Drawing Sheets



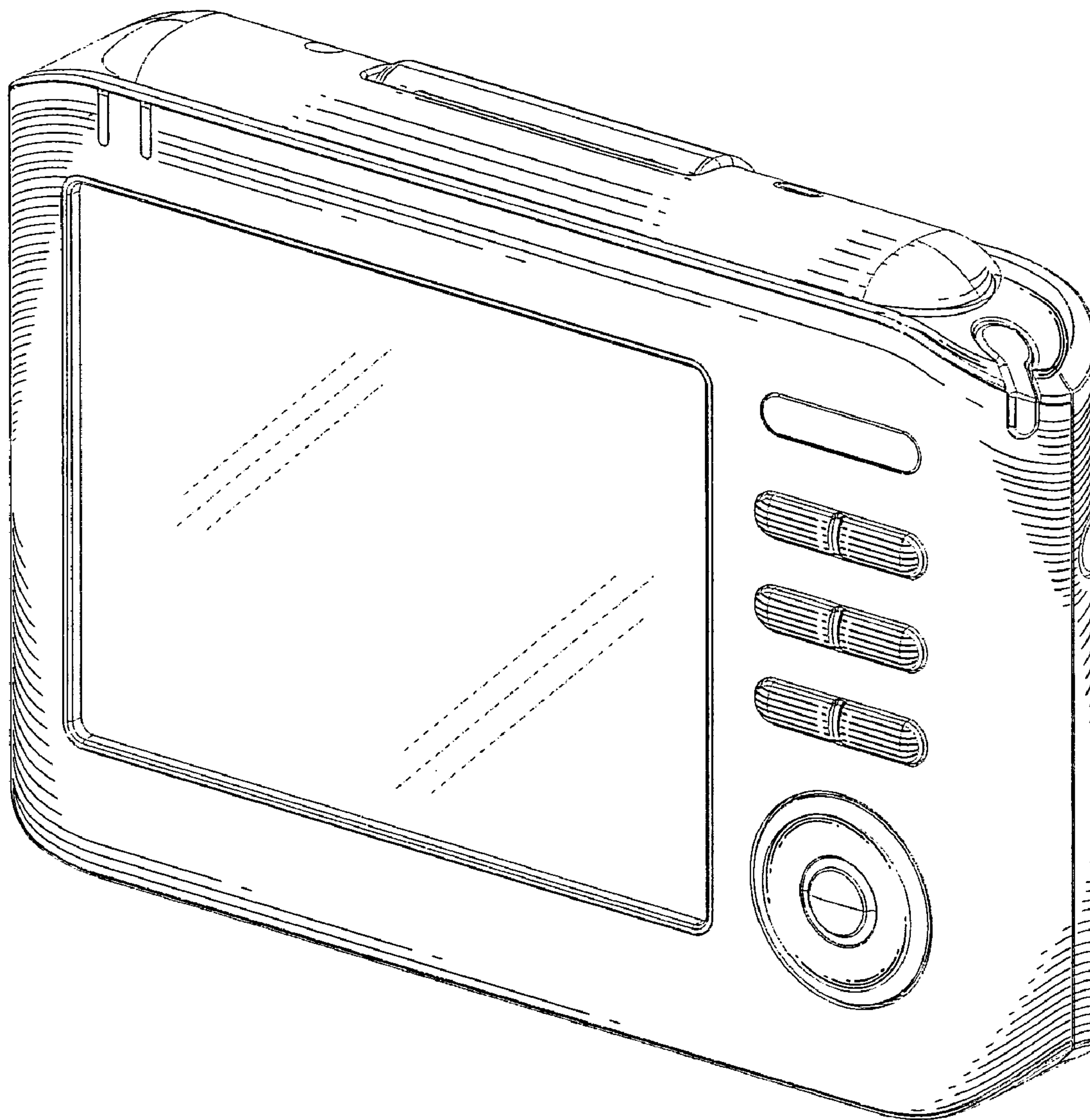


FIG.1

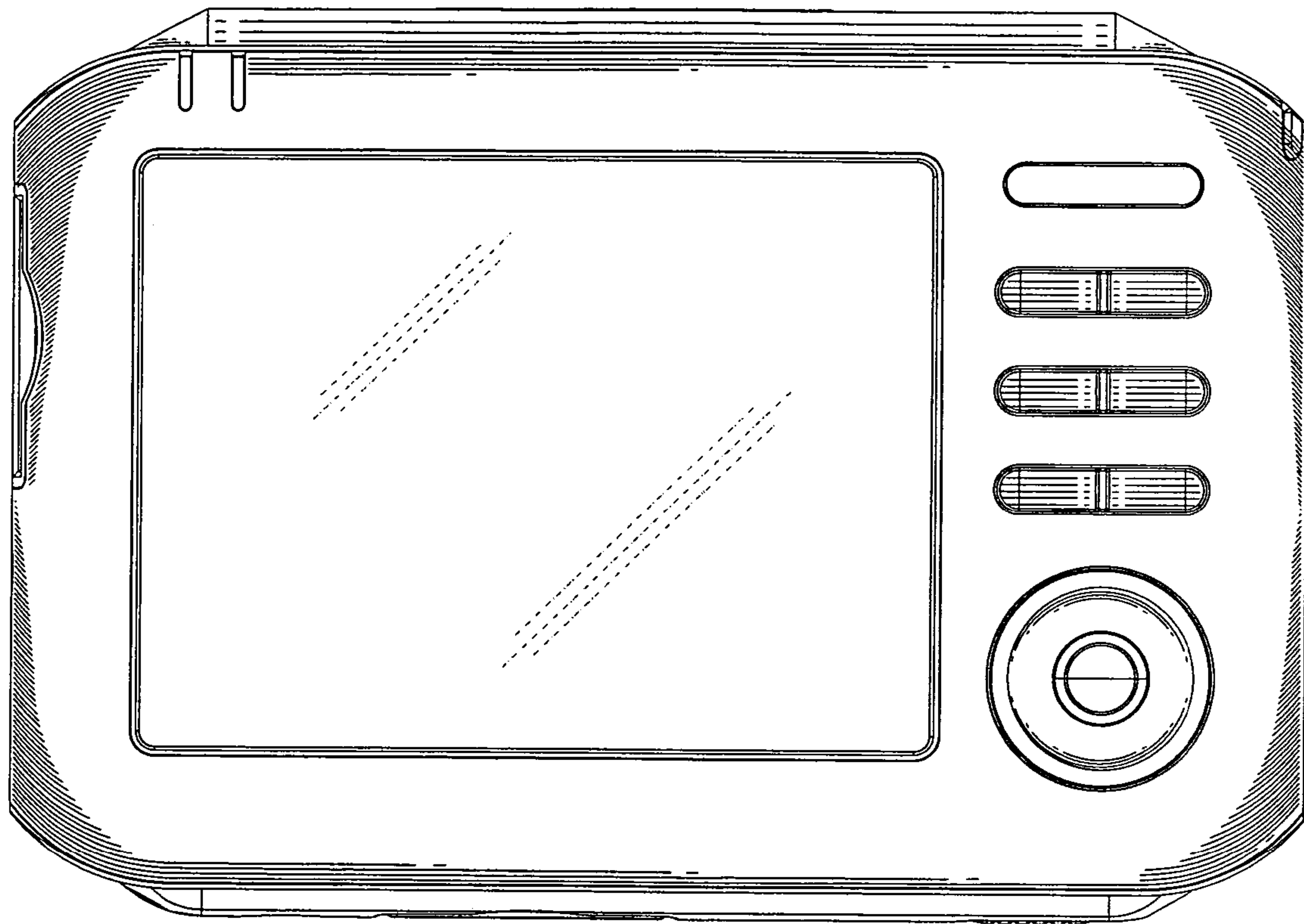


FIG.2

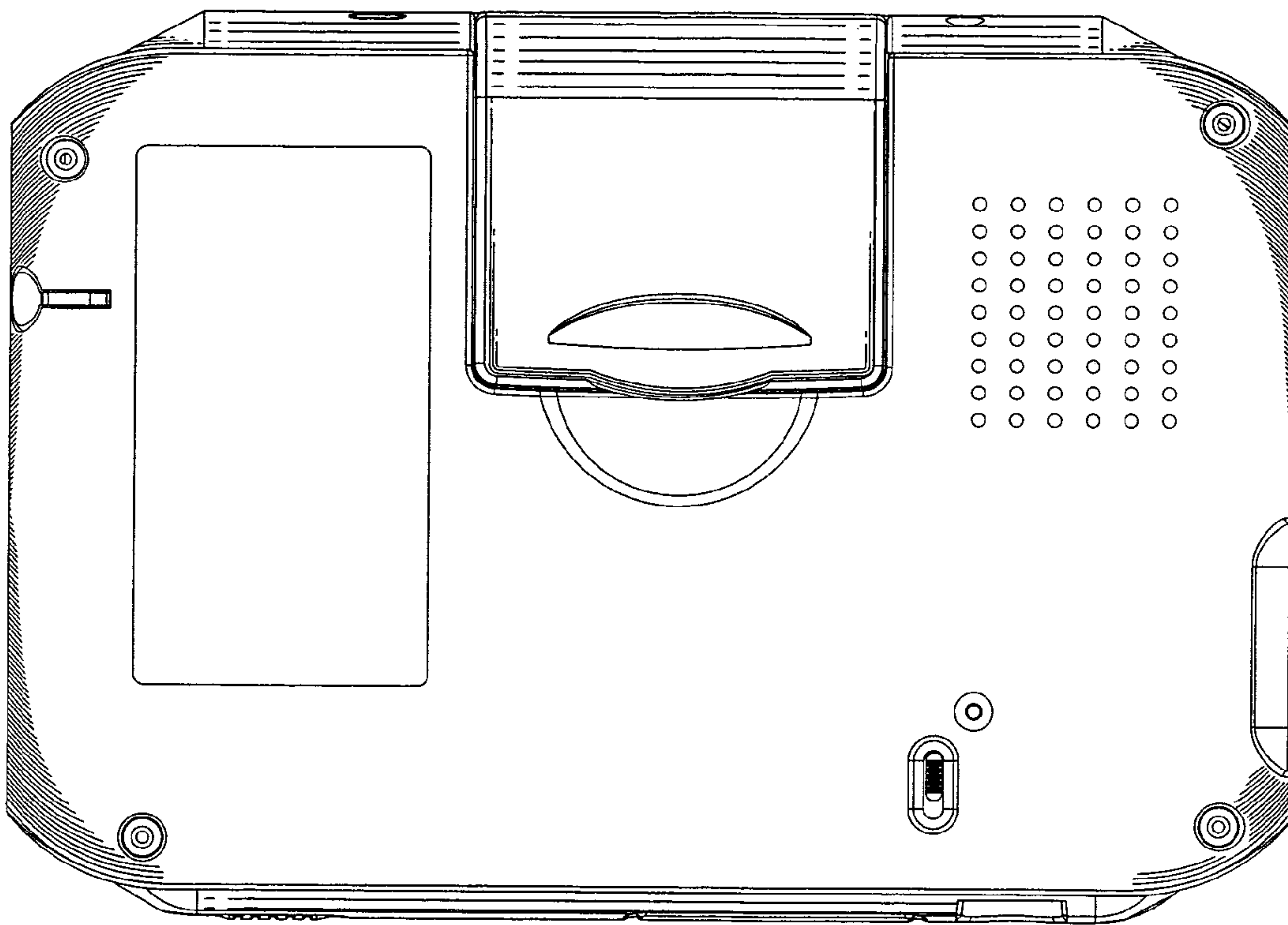


FIG.3

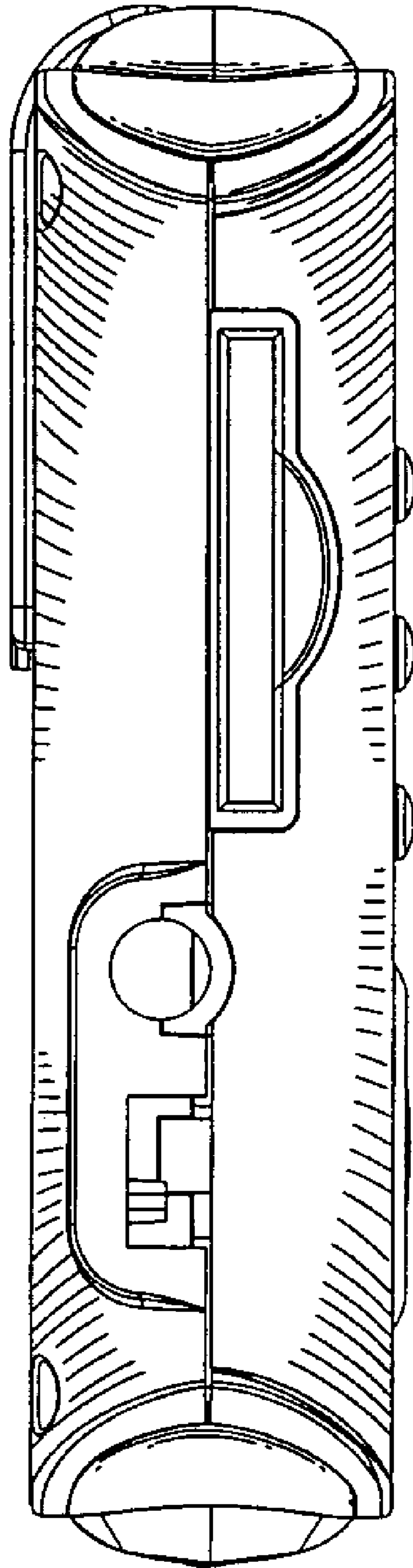


FIG.4

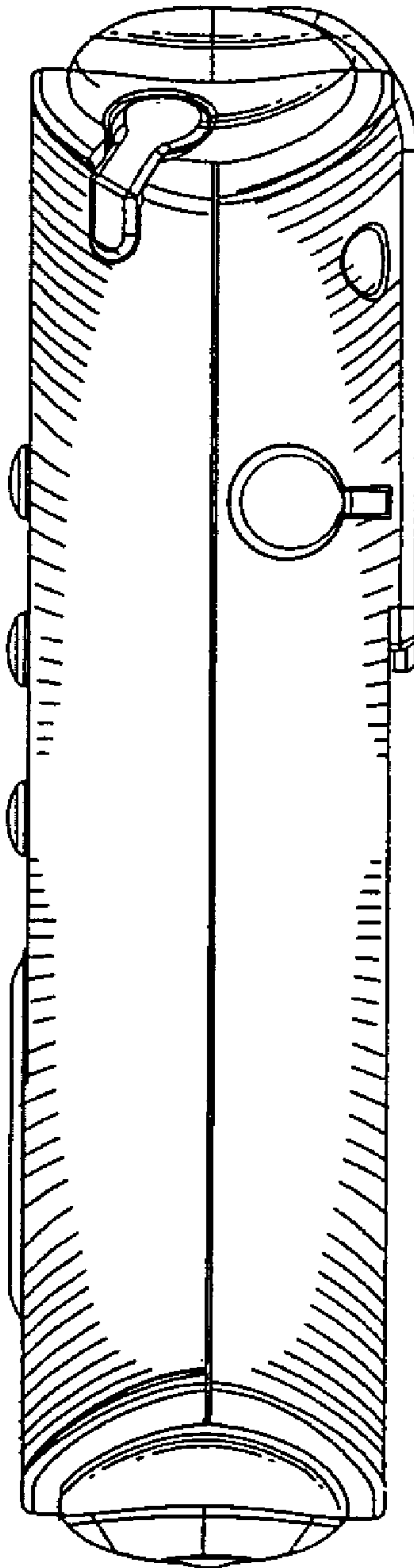


FIG.5

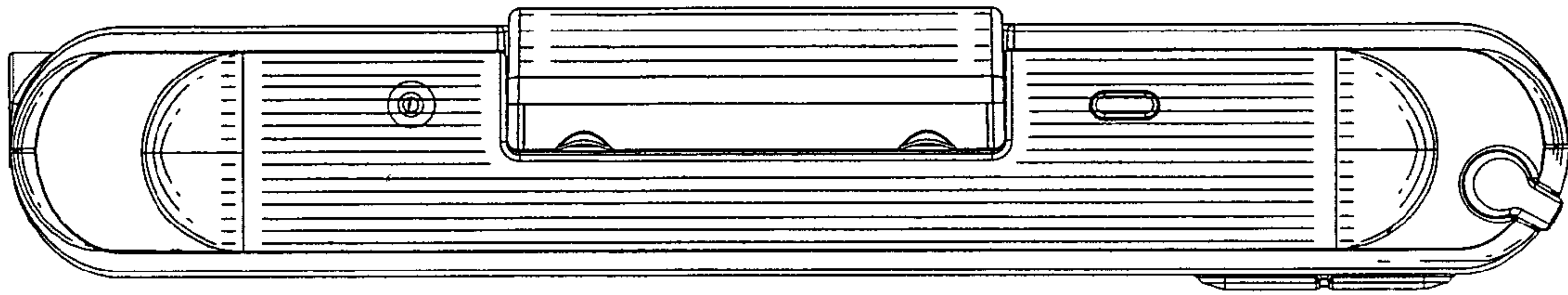


FIG.6

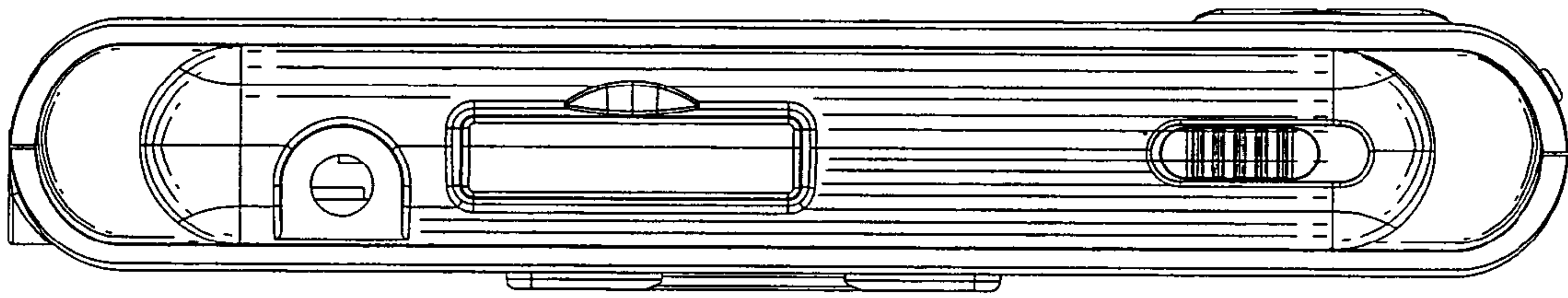


FIG.7

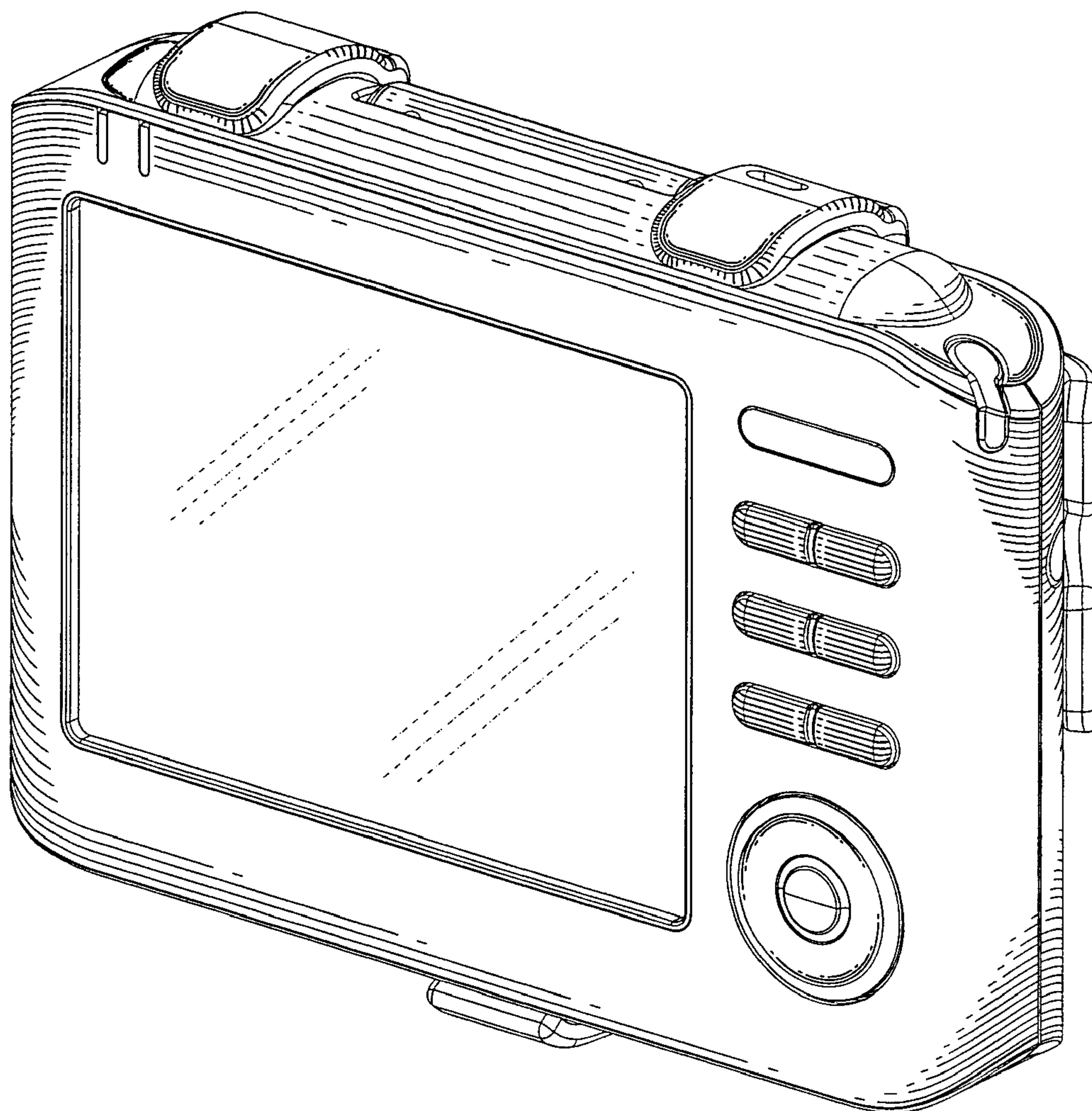


FIG.8

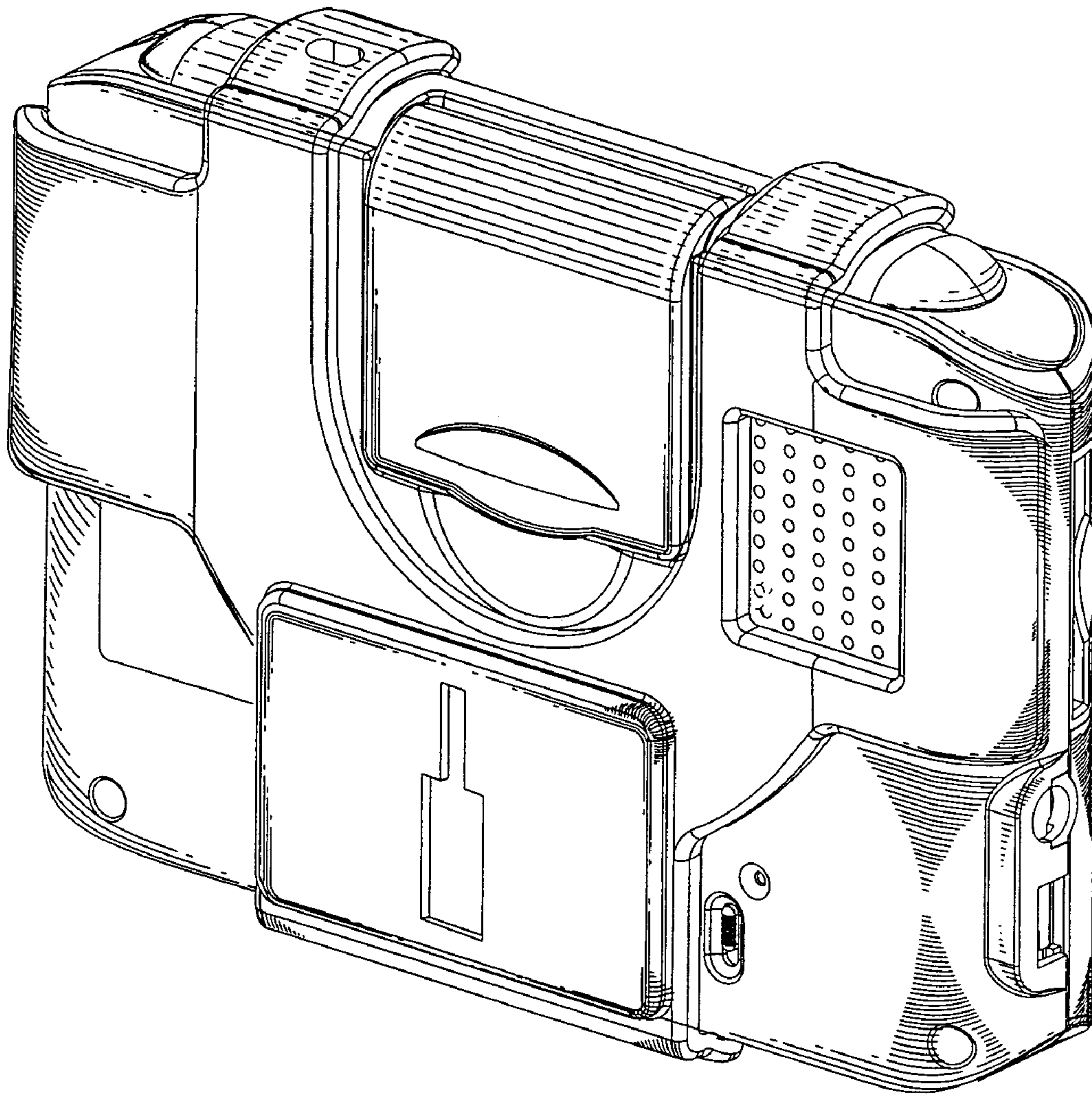


FIG.9

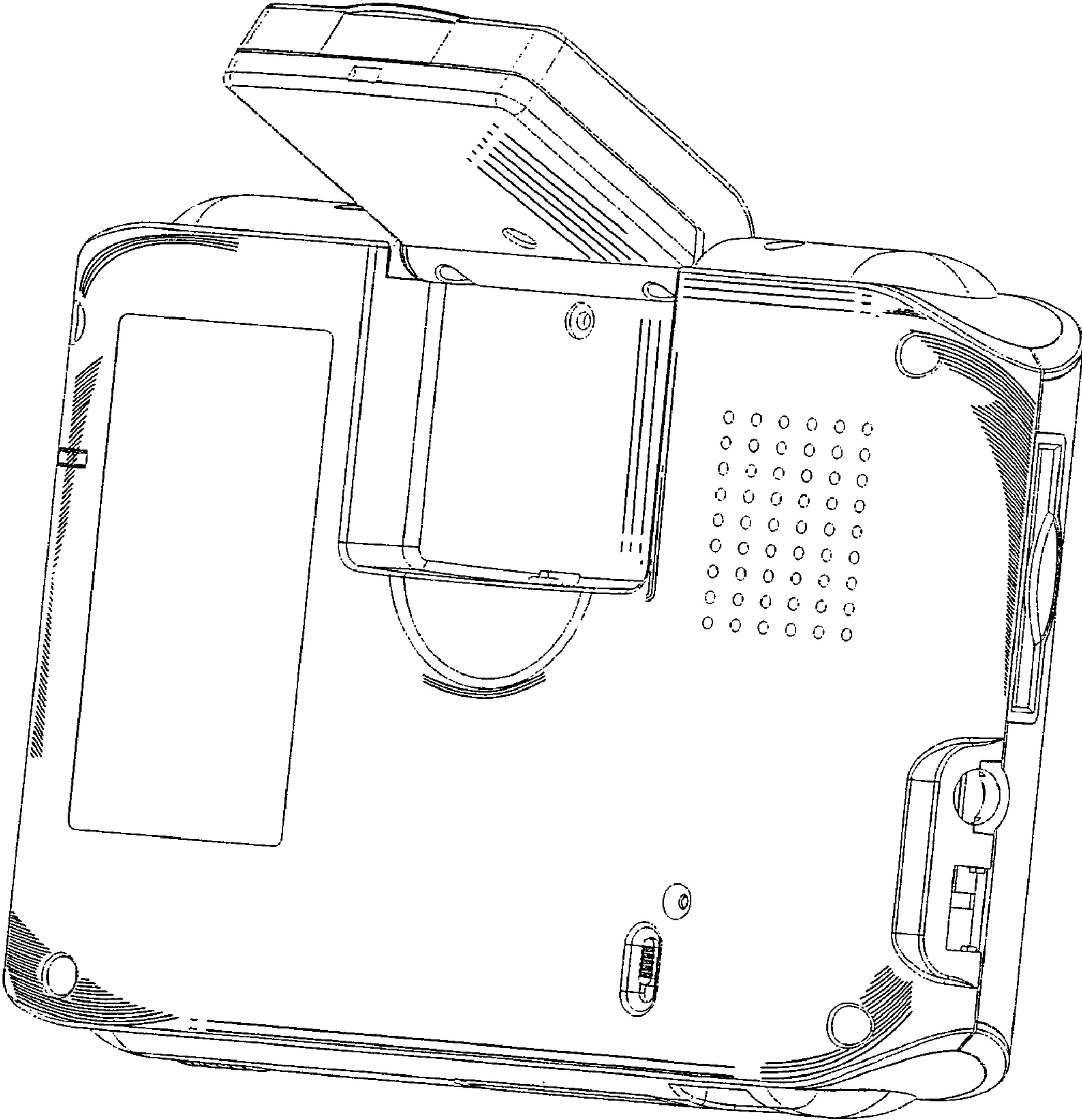


FIG.10