



US00D551663S

(12) **United States Design Patent** (10) **Patent No.:** **US D551,663 S**
Kita (45) **Date of Patent:** **** Sep. 25, 2007**

(54) **STAND FOR VIDEO MONITOR**
(75) Inventor: **Toshiyuki Kita**, Osaka (JP)
(73) Assignee: **Sharp Kabushiki Kaisha**, Osaka (JP)
(**) Term: **14 Years**
(21) Appl. No.: **29/232,615**
(22) Filed: **Jun. 22, 2005**

D469,432 S * 1/2003 Tsuji D14/375
D482,339 S * 11/2003 Yin et al. D14/134
D492,269 S 6/2004 Kita
D496,915 S 10/2004 Kita
D497,351 S 10/2004 Kita
D497,599 S 10/2004 Kita
D499,076 S 11/2004 Kita
D501,186 S 1/2005 Kita
D501,654 S 2/2005 Kita
D502,451 S 3/2005 Kita
D502,931 S 3/2005 Kita
D505,123 S 5/2005 Kita

(30) **Foreign Application Priority Data**
Dec. 22, 2004 (JP) 2004-039327

(51) **LOC (8) Cl.** **14-03**
(52) **U.S. Cl.** **D14/239**
(58) **Field of Classification Search** D14/125-134,
D14/239, 451, 439, 371, 136, 374-382; 312/7.2;
348/836, 180, 838, 184, 325, 739; 341/12;
248/917-924, 465; 345/104, 133, 156, 168,
345/173; 720/605, 600, 655, 669; 369/99,
369/197; 455/344-347

See application file for complete search history.

(56) **References Cited**

U.S. PATENT DOCUMENTS

D243,346 S * 2/1977 Samuels D27/192
D243,348 S * 2/1977 Stuetzer D27/157
D243,350 S * 2/1977 Shibata D27/175
D427,169 S 6/2000 Saeki et al.
D429,227 S 8/2000 Shimizu
D431,537 S 10/2000 Saeki et al.
D438,848 S 3/2001 Kita
D439,224 S 3/2001 Kita
D439,225 S 3/2001 Kita
D453,747 S 2/2002 Kita
D453,748 S 2/2002 Kita
D456,370 S 4/2002 Kita
D458,910 S 6/2002 Kita
D462,353 S 9/2002 Kita

OTHER PUBLICATIONS

U.S. Appl. No. 29/207,659, filed Jun. 2004, Kita.
U.S. Appl. No. 29/207,660, filed Jun. 2004, Kita.
U.S. Appl. No. 29/206,962, filed Jun. 2004, Kita.

* cited by examiner

Primary Examiner—Raphael Barkai
Assistant Examiner—Randall H. Gholson
(74) *Attorney, Agent, or Firm*—Nixon & Vanderhye, PC

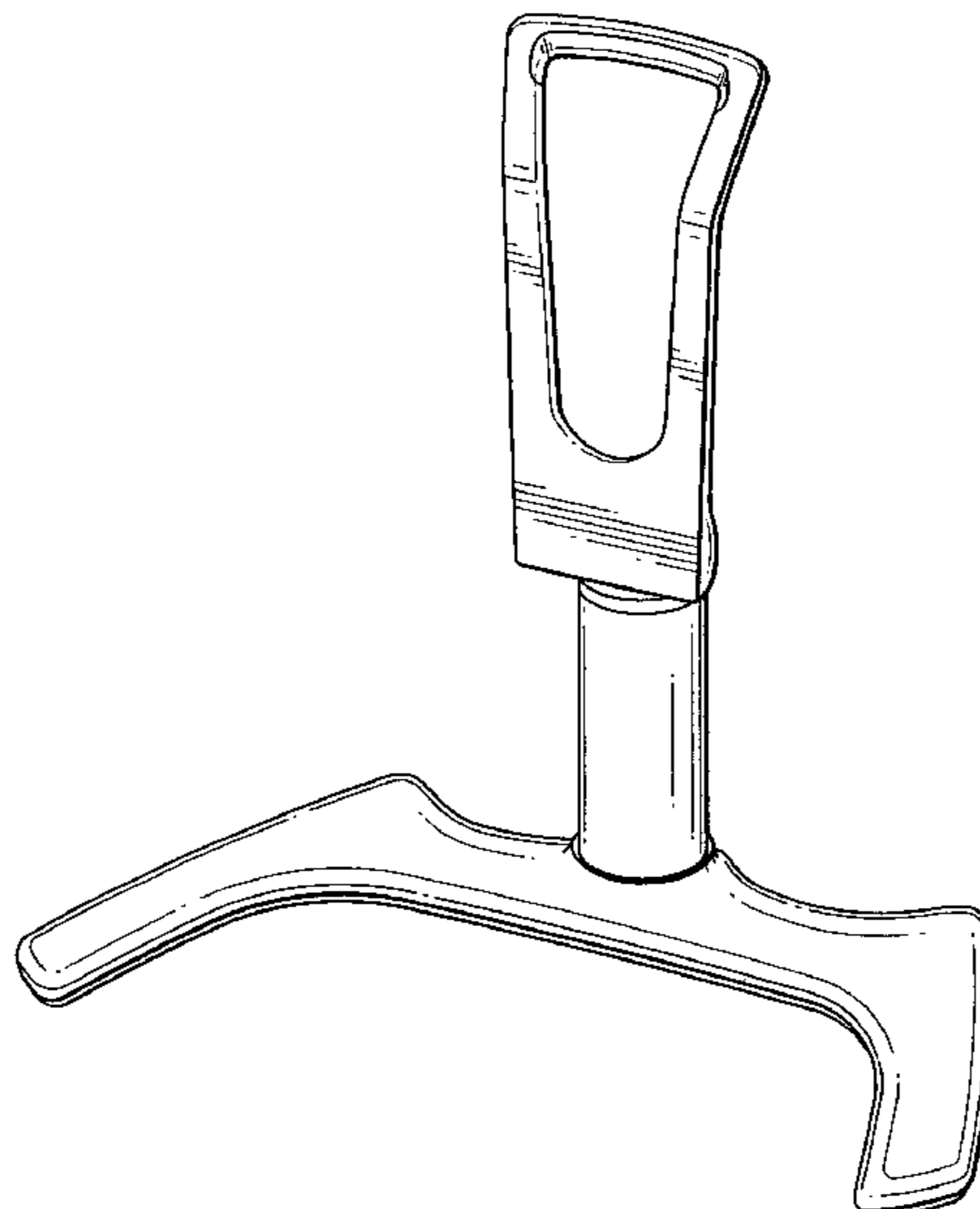
(57) **CLAIM**

The ornamental design for a “stand for video monitor,” as shown and described.

DESCRIPTION

FIG. 1 is a top, front and right side perspective view of a stand for video monitor according to my design;
FIG. 2 is a front elevational view thereof;
FIG. 3 is a rear elevational view thereof;
FIG. 4 is a right side elevational view thereof;
FIG. 5 is a left side elevational view thereof;
FIG. 6 is a top plan view thereof;
FIG. 7 is a bottom plan view thereof; and,
FIG. 8 is a top, right side and rear perspective view thereof.

1 Claim, 6 Drawing Sheets



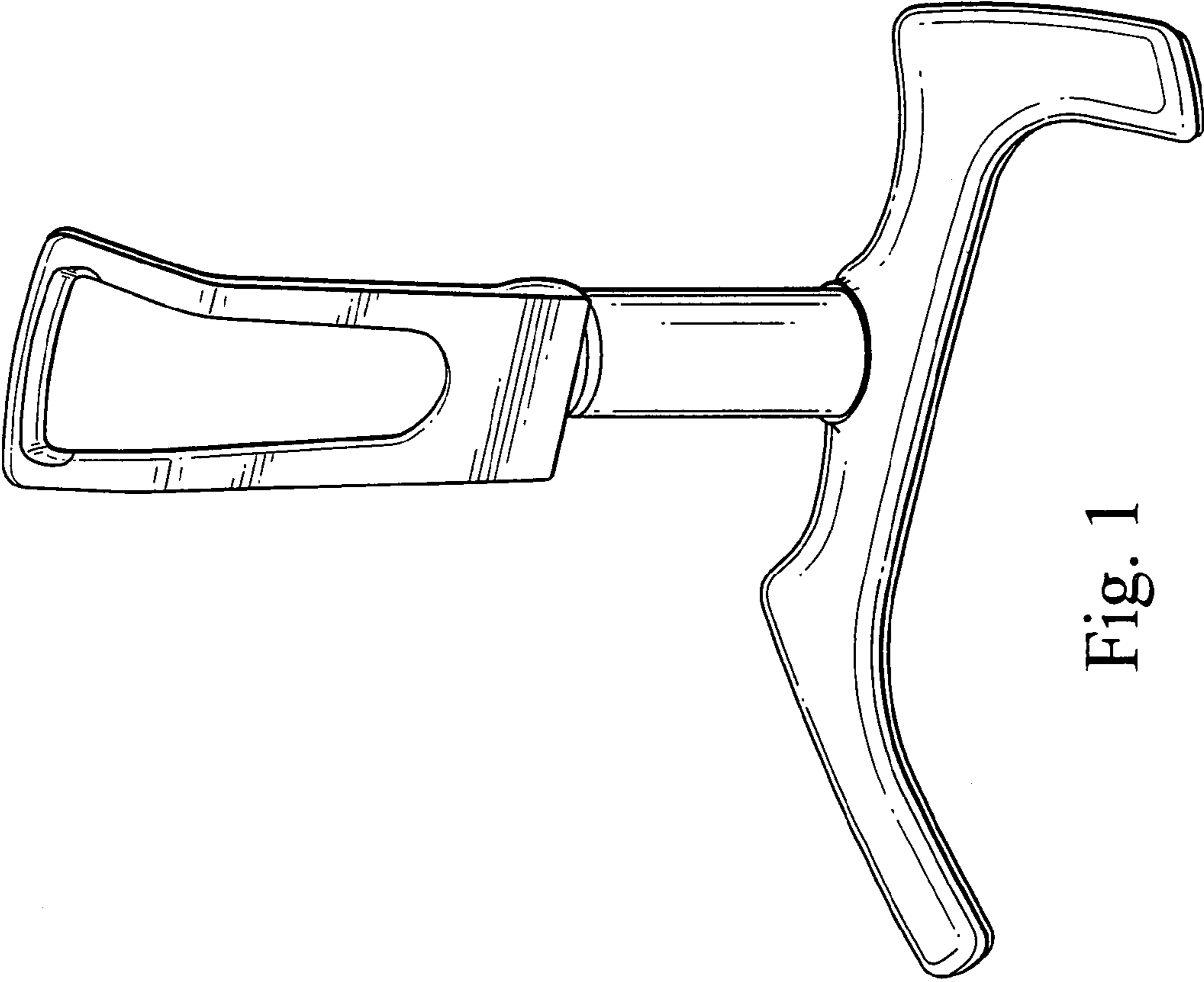


Fig. 1

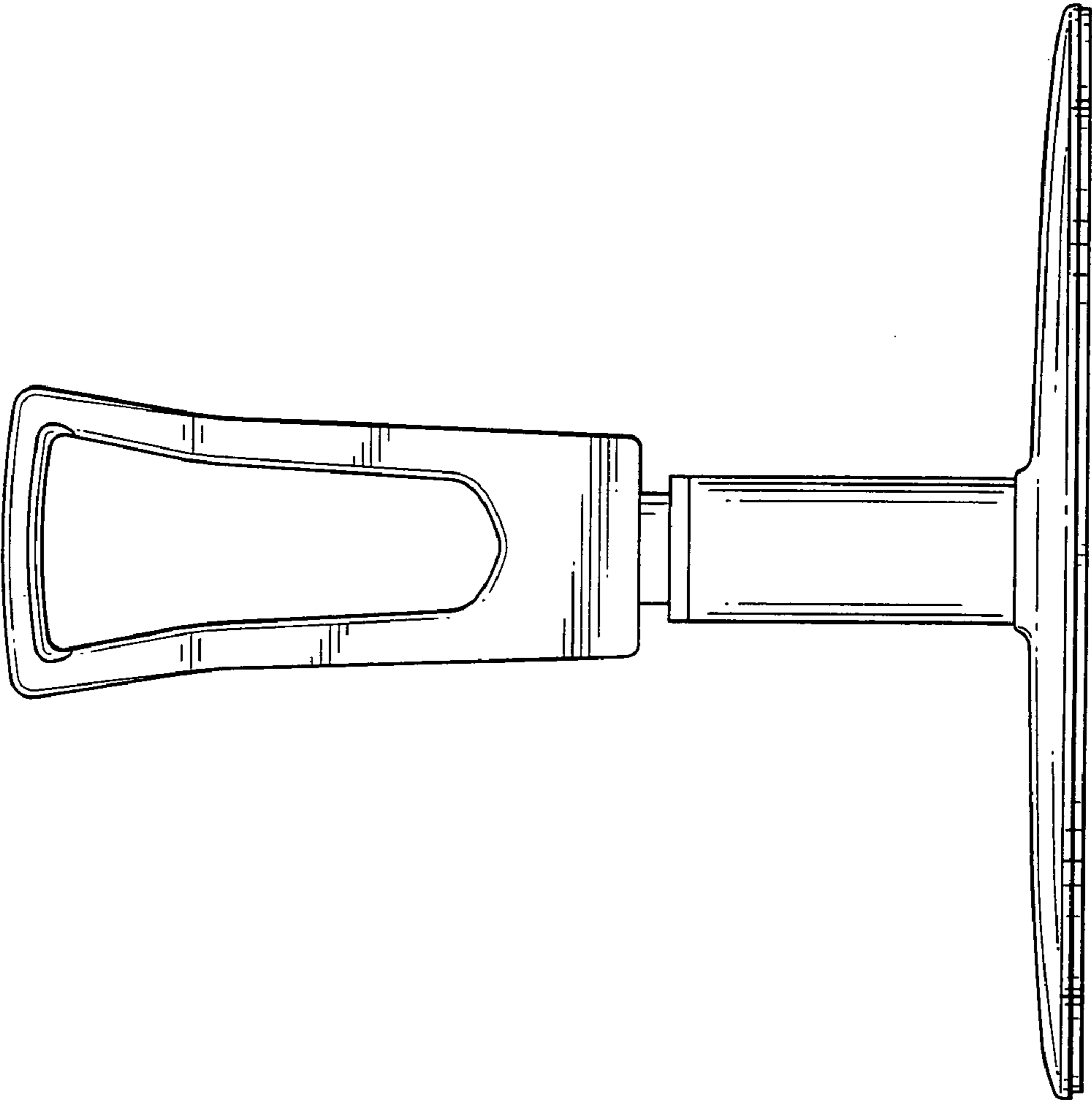


Fig. 2

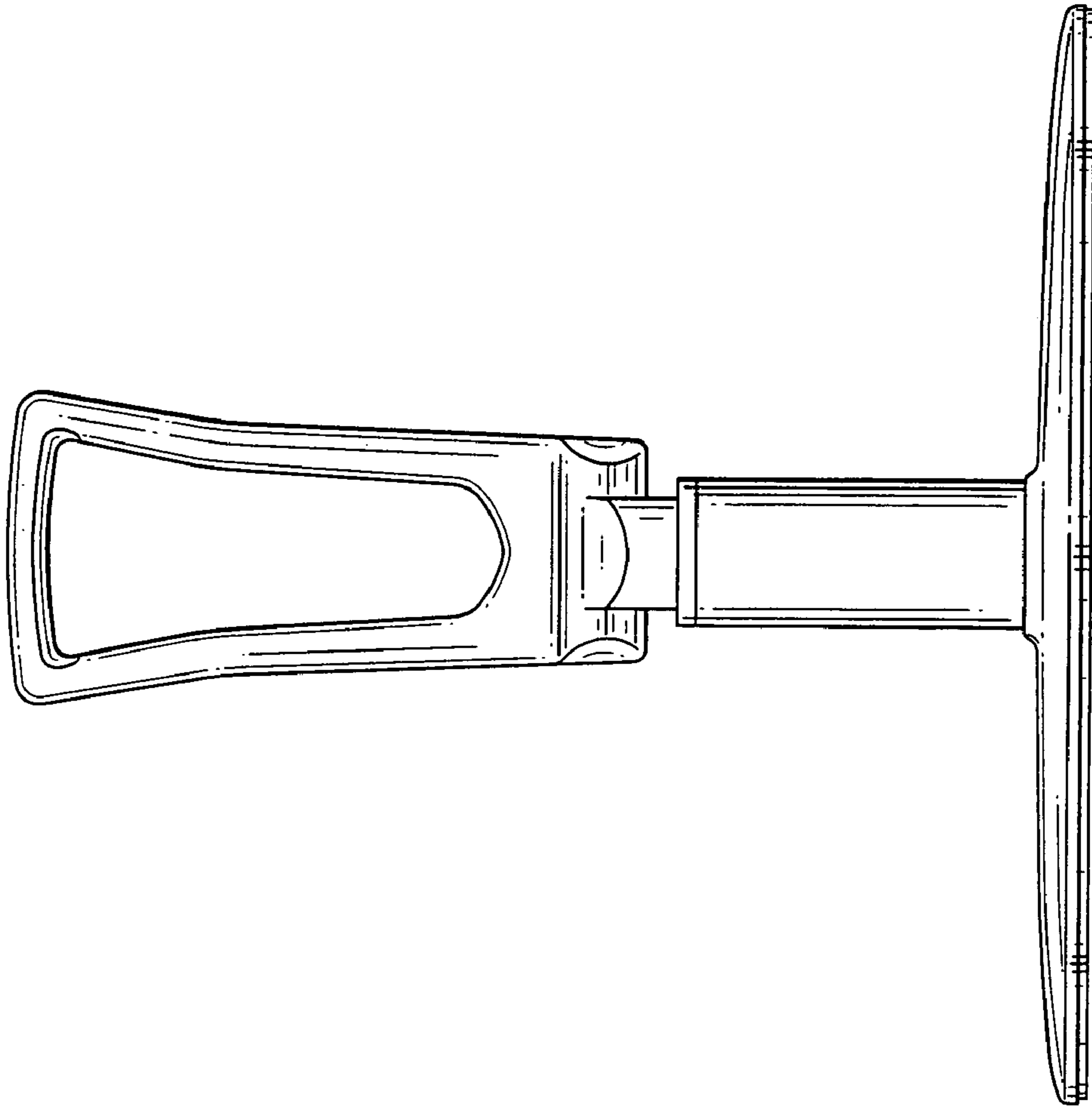


Fig. 3

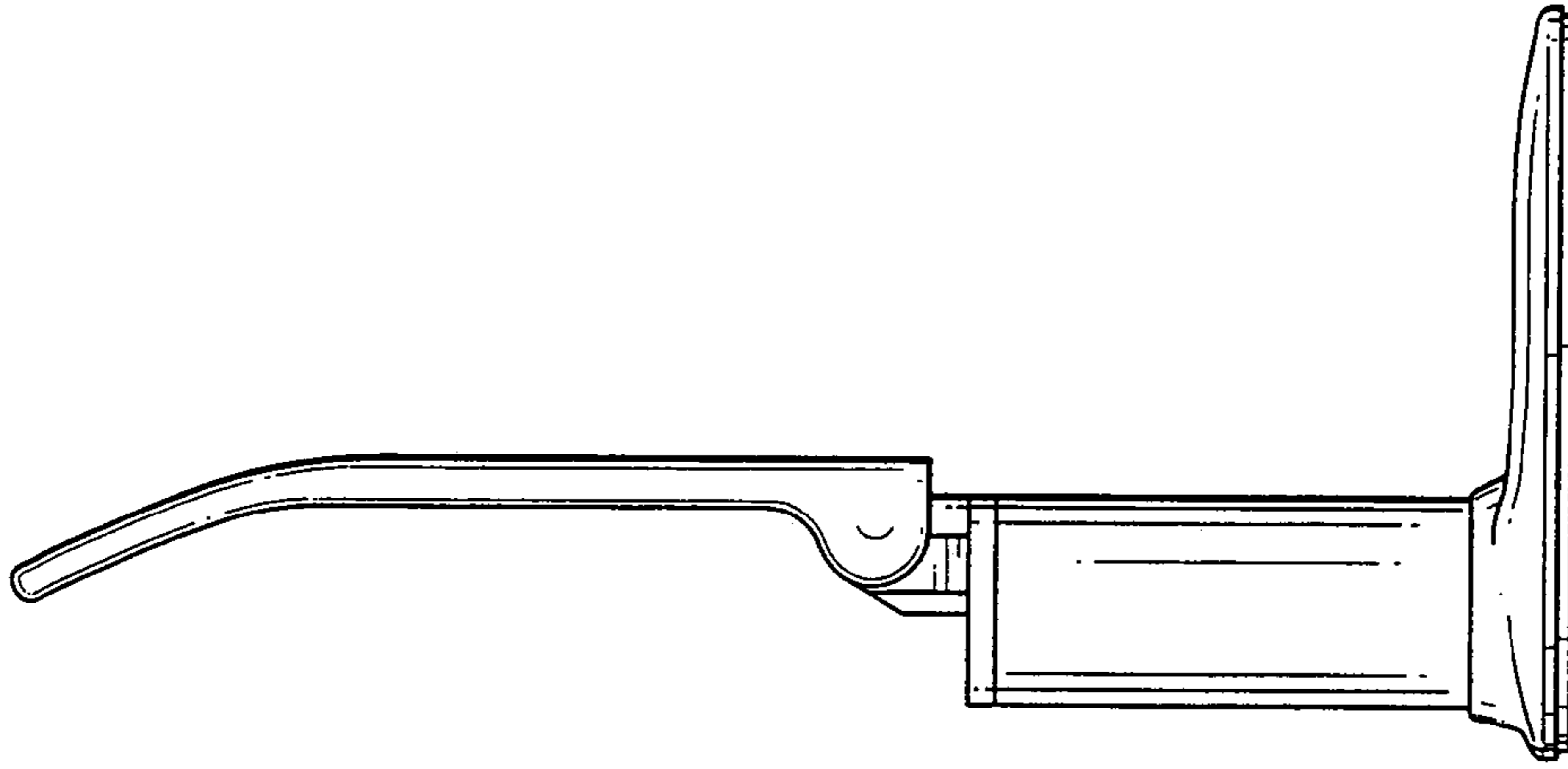


Fig. 5

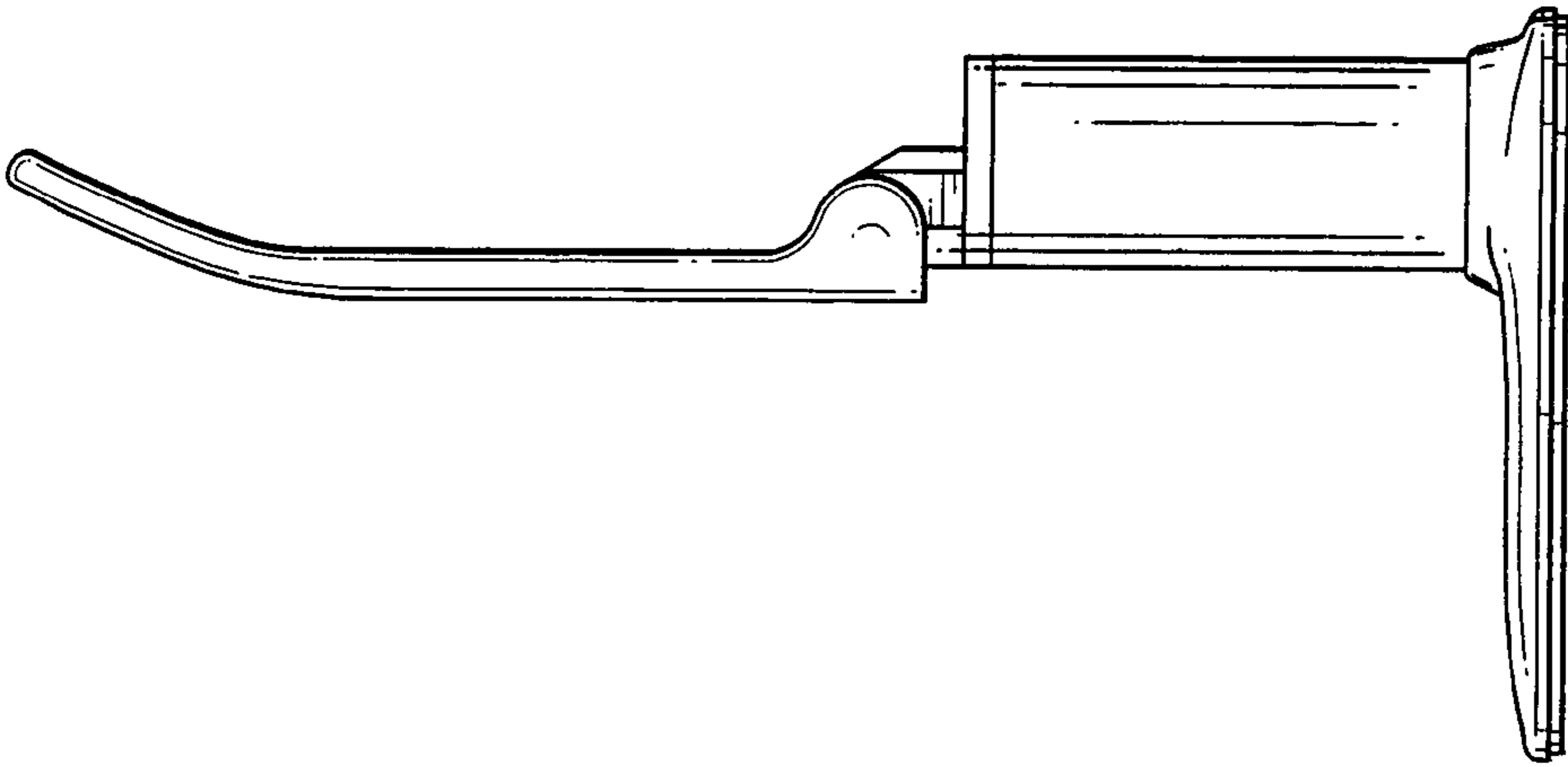


Fig. 4

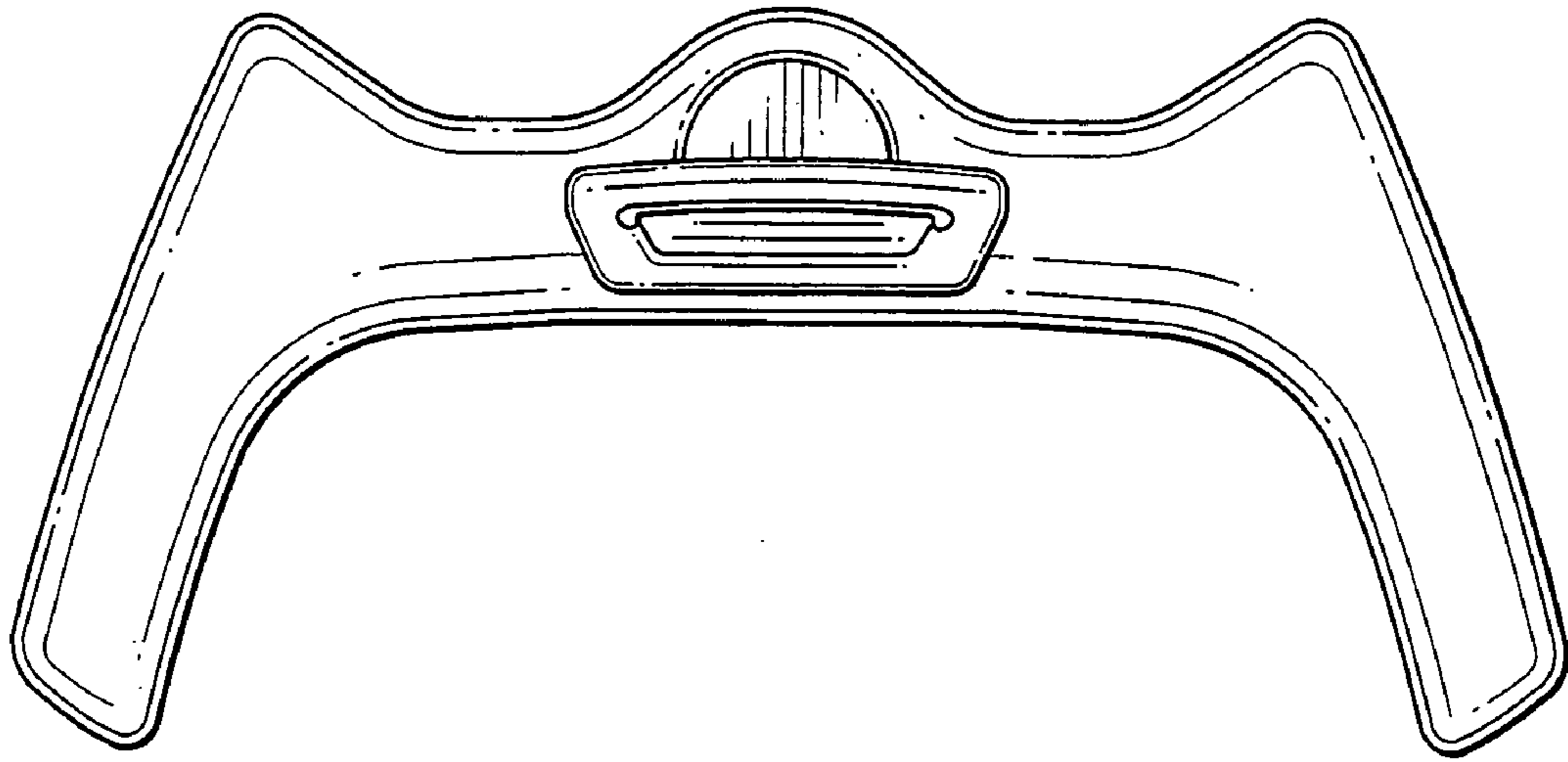


Fig. 6

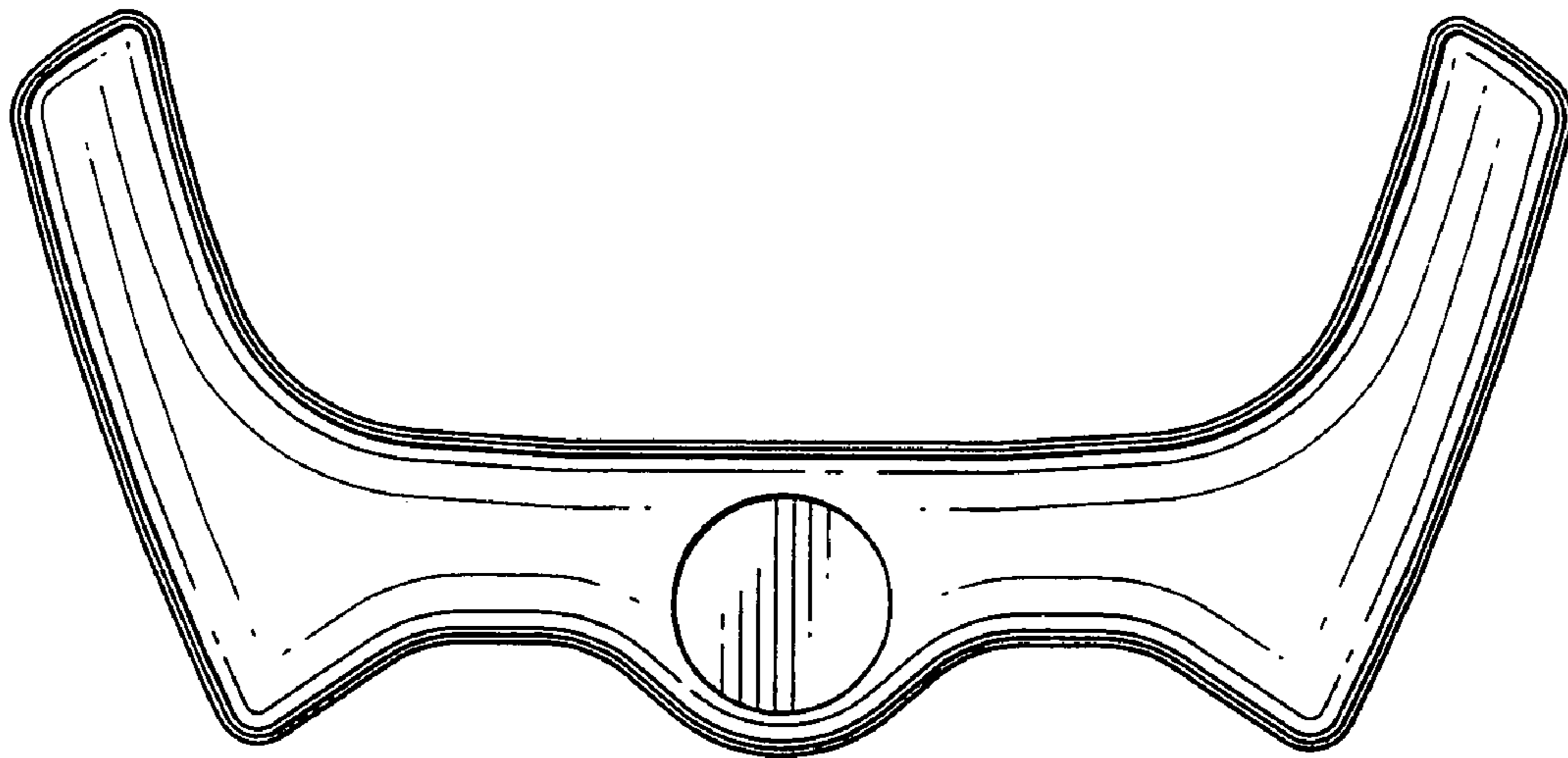


Fig. 7

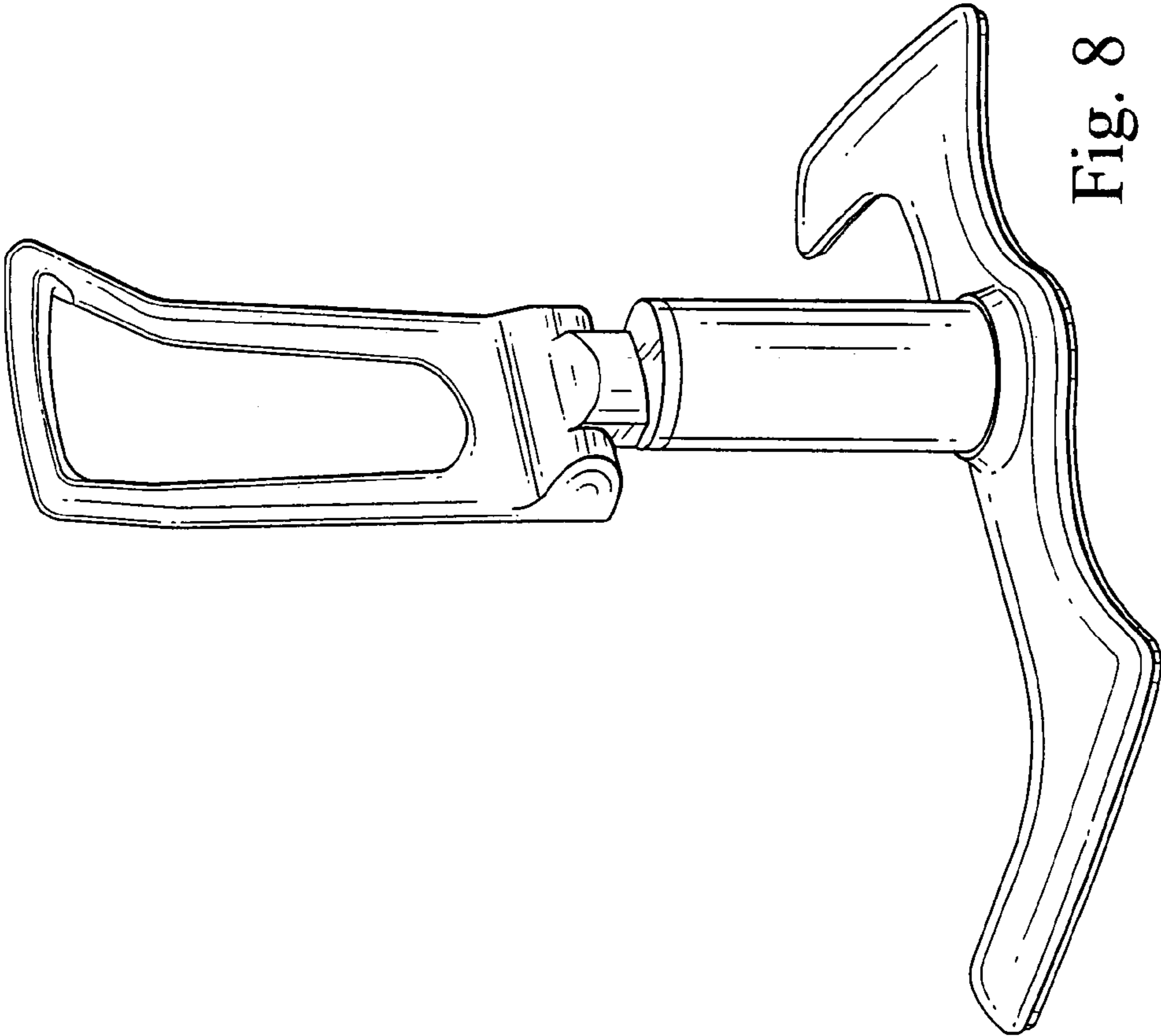


Fig. 8