



US00D551662S

(12) **United States Design Patent** (10) **Patent No.:** **US D551,662 S**
Buren et al. (45) **Date of Patent:** **** Sep. 25, 2007**

(54) **ENHANCED YAGI ANTENNA**

D385,563 S * 10/1997 Podell D14/230
6,483,476 B2 * 11/2002 Cox 343/815
D480,387 S * 10/2003 Burns D14/230

(75) Inventors: **Alan Van Buren**, Cedar City, UT (US);
Richard M. Kline, Cedar City, UT
(US)

* cited by examiner

(73) Assignee: **Wilson Electronics, Inc.**, Saint George,
UT (US)

Primary Examiner—Lois S. Zarfes
Assistant Examiner—John Windmuller
(74) *Attorney, Agent, or Firm*—Leon D. Rosen

(**) Term: **14 Years**

(57) **CLAIM**

(21) Appl. No.: **29/261,382**

The ornamental design for enhanced yagi antenna, as shown
and described.

(22) Filed: **Jun. 13, 2006**

(51) **LOC (8) Cl.** **14-03**

DESCRIPTION

(52) **U.S. Cl.** **D14/230**

(58) **Field of Classification Search** D14/138,
D14/230–238, 299, 358; D12/42, 43; 343/700 R–705,
343/871–908, 795, 840, 711–713, 819, 846;
455/90.2, 90.3, 91, 128, 269, 344, 347, 562.1
See application file for complete search history.

FIG. 1 is a front isometric view of an enhanced yagi antenna
showing my design.

FIG. 2 is a front elevational view thereof;

FIG. 3 is a left side elevation view thereof.

FIG. 4 is a right side elevation view thereof.

FIG. 5 is a rear elevation view thereof.

FIG. 6 is a top plan view thereof; and,

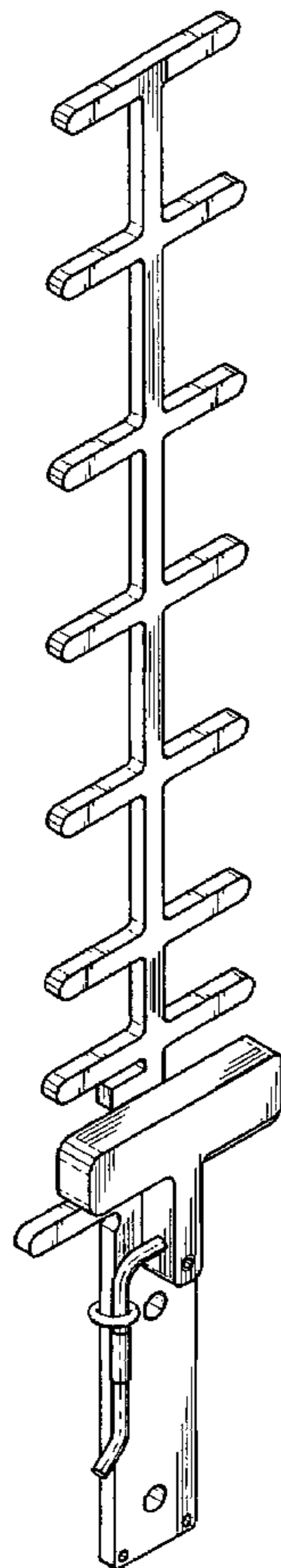
FIG. 7 is a bottom plan view thereof.

(56) **References Cited**

U.S. PATENT DOCUMENTS

3,155,976 A * 11/1964 Wickersham, Jr. et al. . 343/814
4,218,686 A * 8/1980 Blonder 343/819
5,612,706 A * 3/1997 Podell 343/818

1 Claim, 5 Drawing Sheets



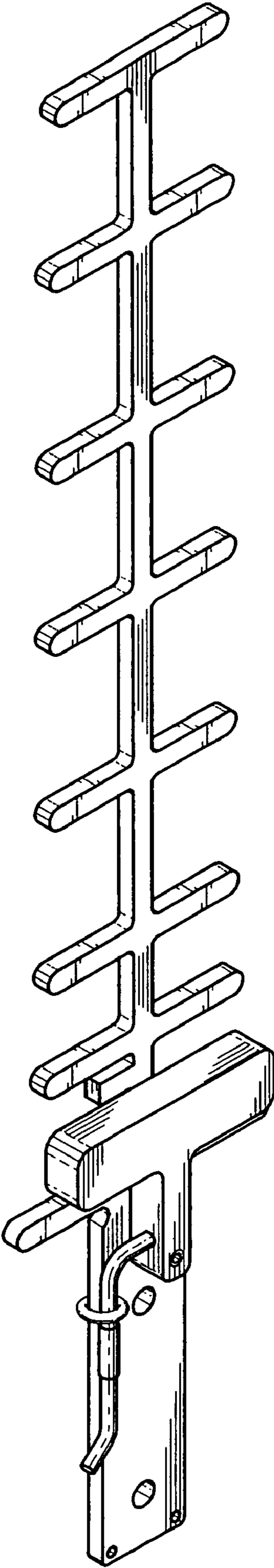


FIG. 1

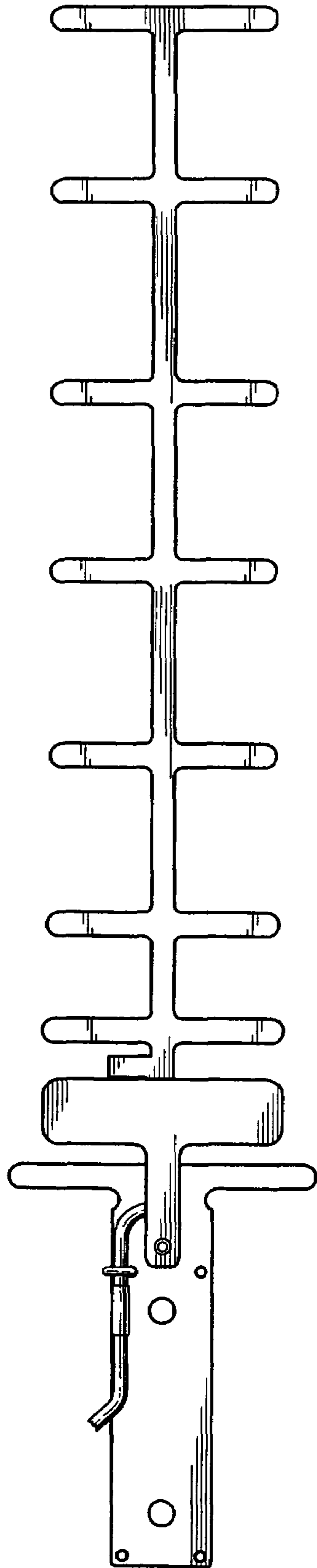


FIG. 2

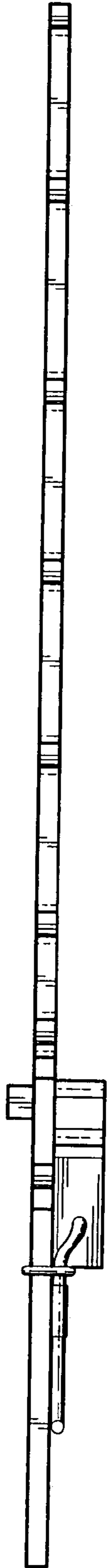


FIG. 3

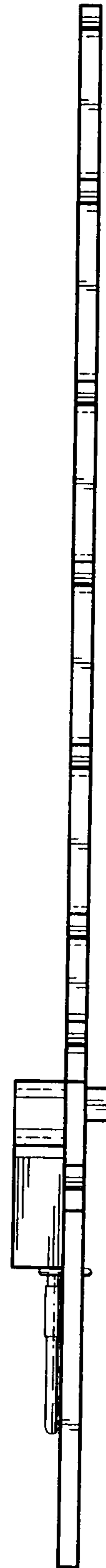


FIG. 4

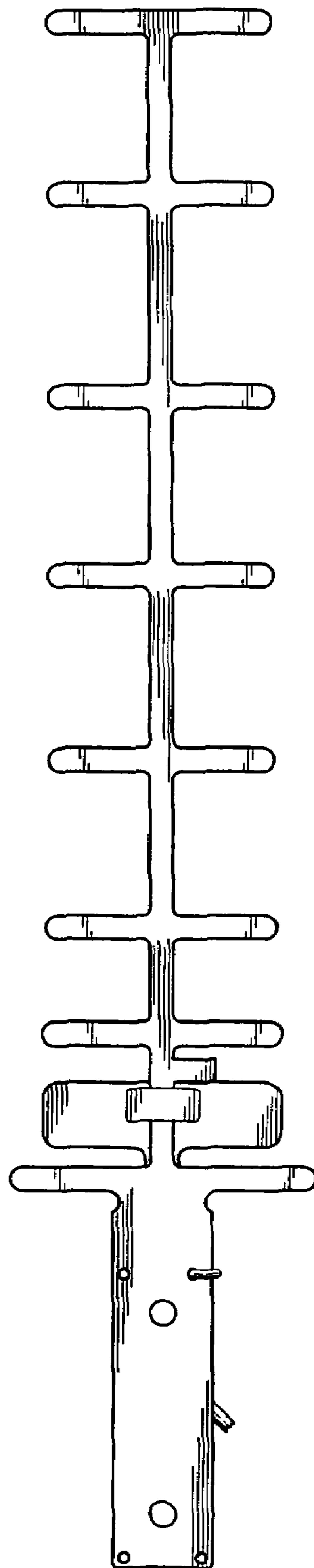


FIG. 5



FIG. 6

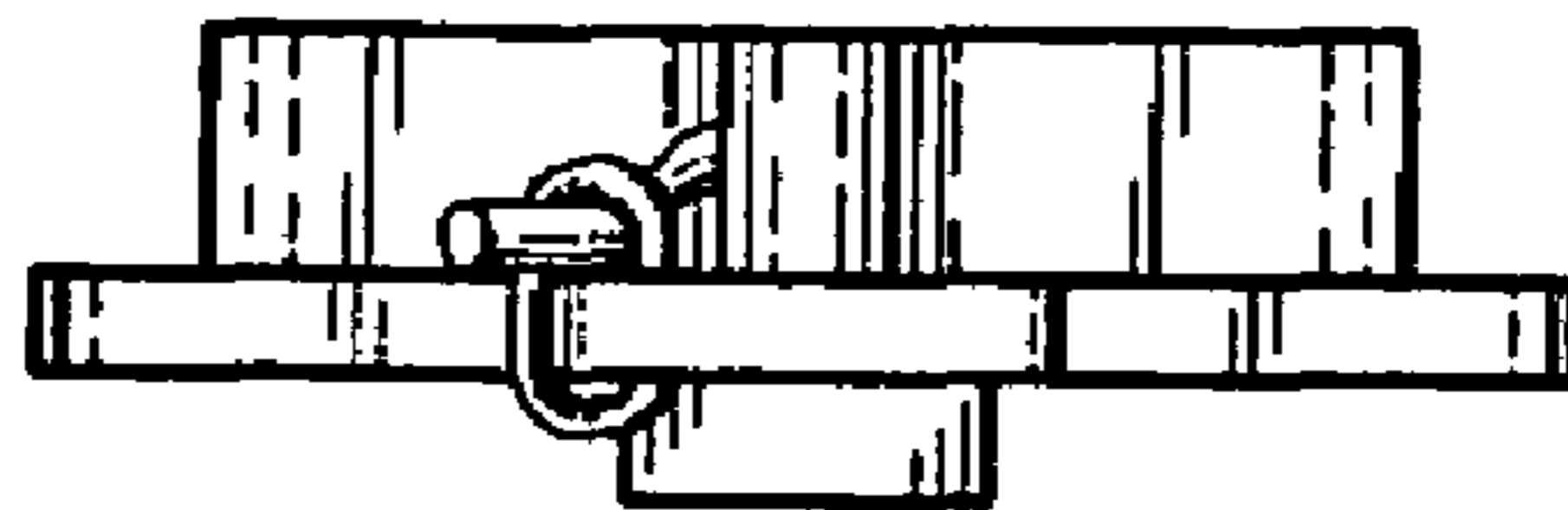


FIG. 7