



US00D551658S

(12) **United States Design Patent**
Hussaini et al.

(10) **Patent No.:** **US D551,658 S**

(45) **Date of Patent:** **** Sep. 25, 2007**

(54) **DOCKING STATION FOR ELECTRONIC DEVICE**

D532,005 S * 11/2006 Leith D14/253
D535,614 S * 1/2007 Majanen et al. D13/108
2006/0250764 A1* 11/2006 Howarth et al. 361/683

(75) Inventors: **Saied Hussaini**, Miami, FL (US); **Marc Iacovelli**, Miami, FL (US)

* cited by examiner

(73) Assignee: **I-Tec Electronics, Inc.**, Miami Gardens, FL (US)

Primary Examiner—Stella Reid
Assistant Examiner—Keli' L. Acker

(74) *Attorney, Agent, or Firm*—Berenato, White & Stavish

(**) Term: **14 Years**

(57) **CLAIM**

(21) Appl. No.: **29/240,091**

The ornamental design for a docking station for electronic device, as shown and described.

(22) Filed: **Oct. 11, 2005**

(51) **LOC (8) Cl.** **14-03**

DESCRIPTION

(52) **U.S. Cl.** **D14/217**

(58) **Field of Classification Search** D14/142,
D14/149, 217, 251, 432, 434, 435, 447, 496;
D13/107, 108, 118; 248/221.11, 309.1; 320/107,
320/110, 113–115; 361/600, 679, 683, 686;
439/529, 534; 455/556.1, 556.2, 557

FIG. 1 is a perspective view of a docking station for an electronic device, embodying my new design;

FIG. 2 is a front view thereof;

FIG. 3 is a rear view thereof;

FIG. 4 is a left side view thereof;

FIG. 5 is a right side view thereof;

FIG. 6 is a top view thereof; and,

FIG. 7 is a bottom view thereof.

See application file for complete search history.

The broken line showing of the docking station for electronic device is included for the purpose of illustrating environmental structure and forms no part of the claimed design.

(56) **References Cited**

U.S. PATENT DOCUMENTS

D385,530 S * 10/1997 Hames et al. D13/107
D388,764 S * 1/1998 Bartling et al. D13/107
D442,939 S * 5/2001 Goldenburg D14/191
D495,336 S * 8/2004 Andre et al. D14/434
D510,091 S * 9/2005 Mori et al. D14/434
D528,979 S * 9/2006 Franck et al. D13/108

1 Claim, 5 Drawing Sheets

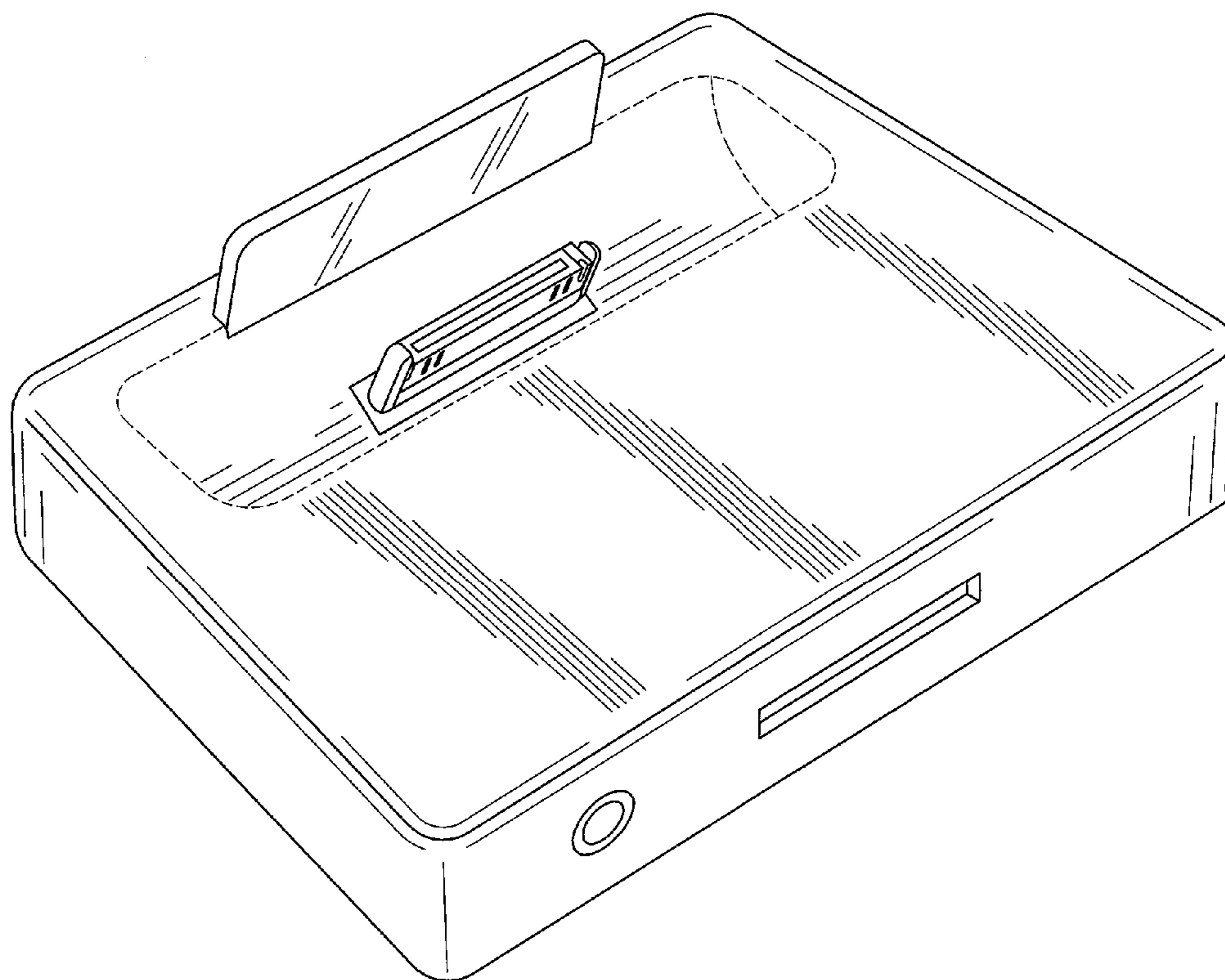


Fig. 1

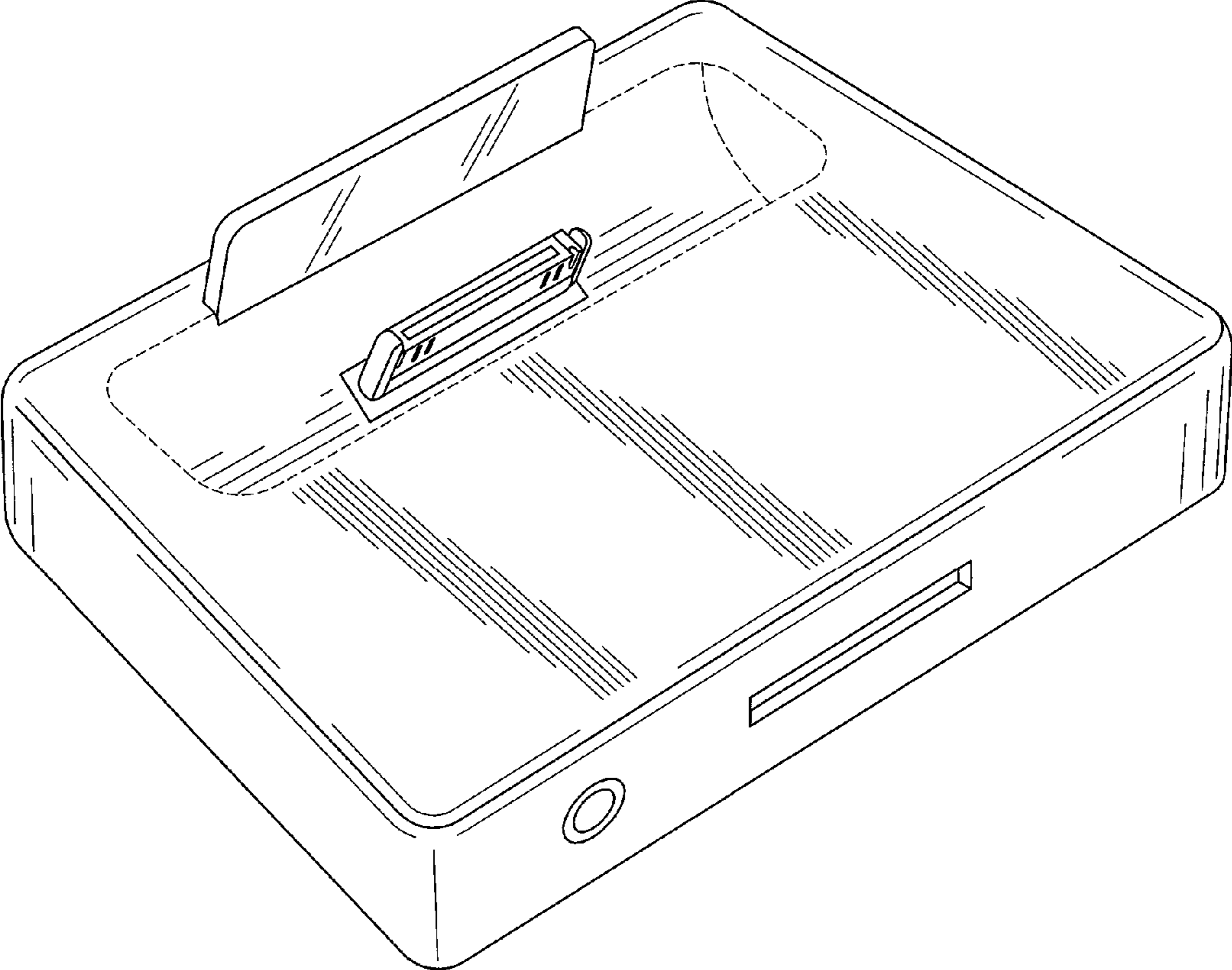


Fig. 2

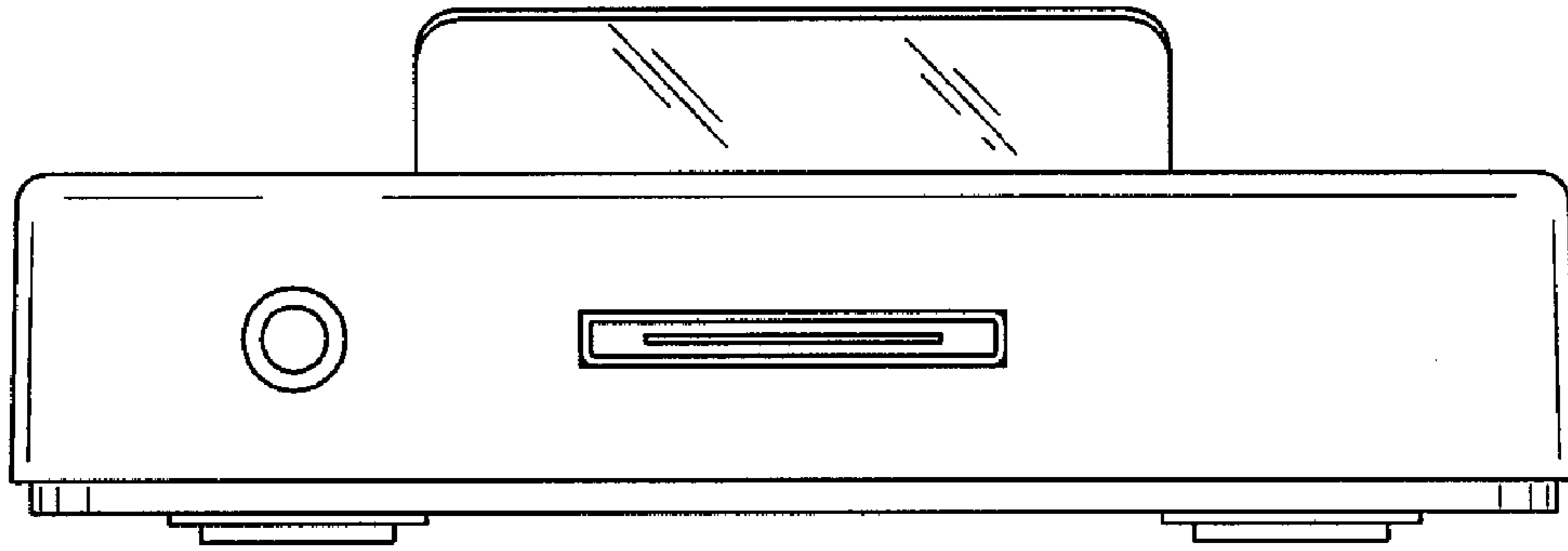


Fig. 3

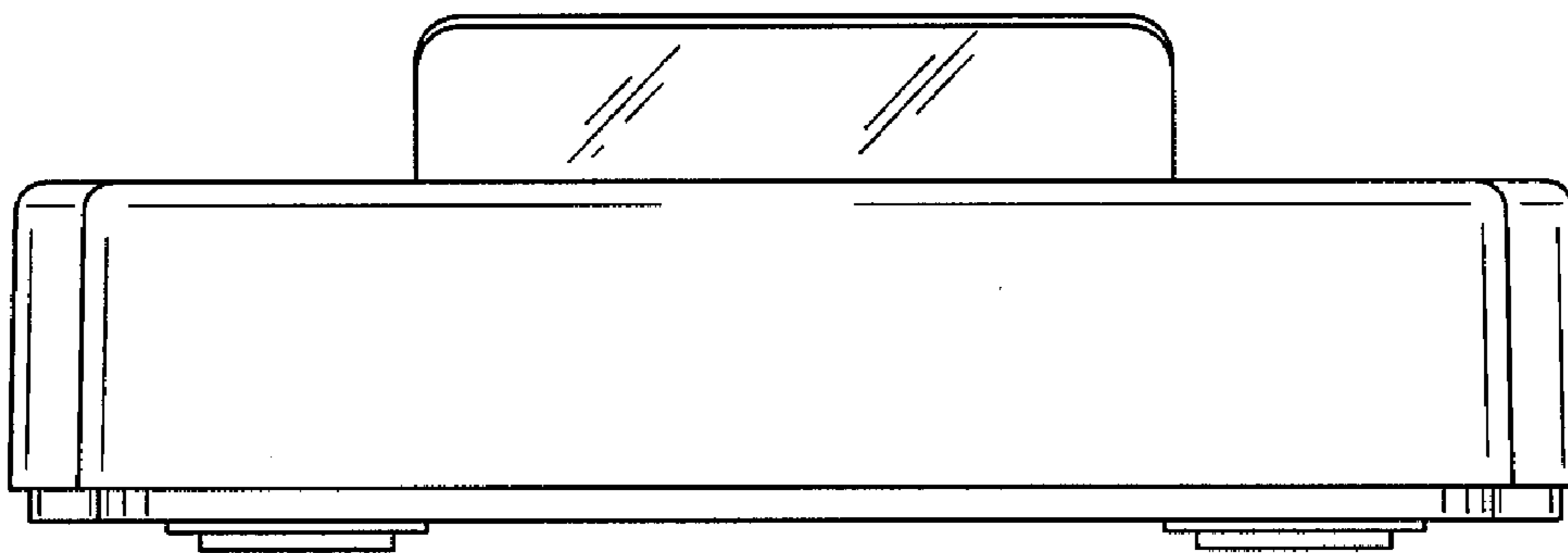


Fig. 4



Fig. 5

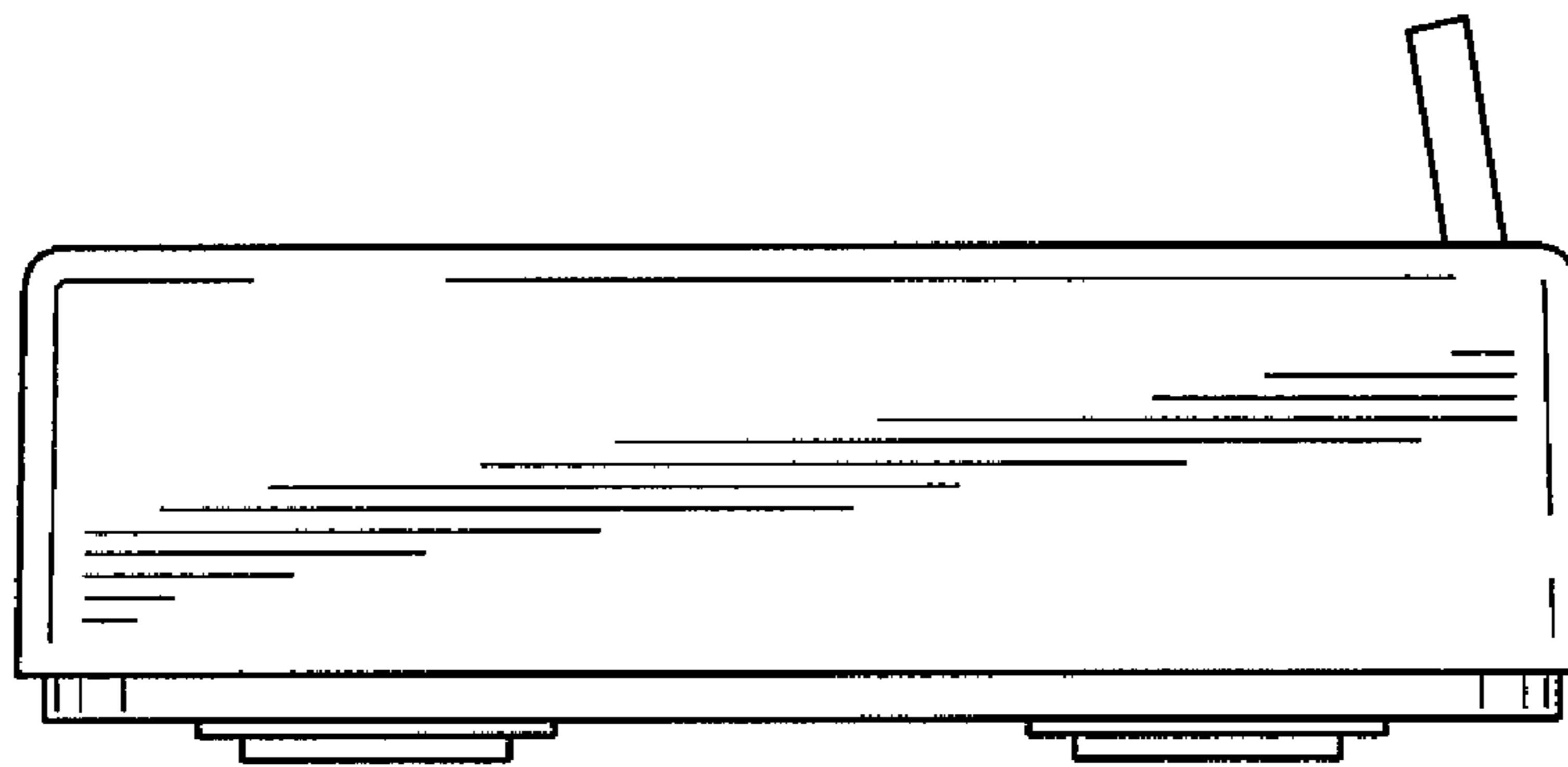


Fig. 6

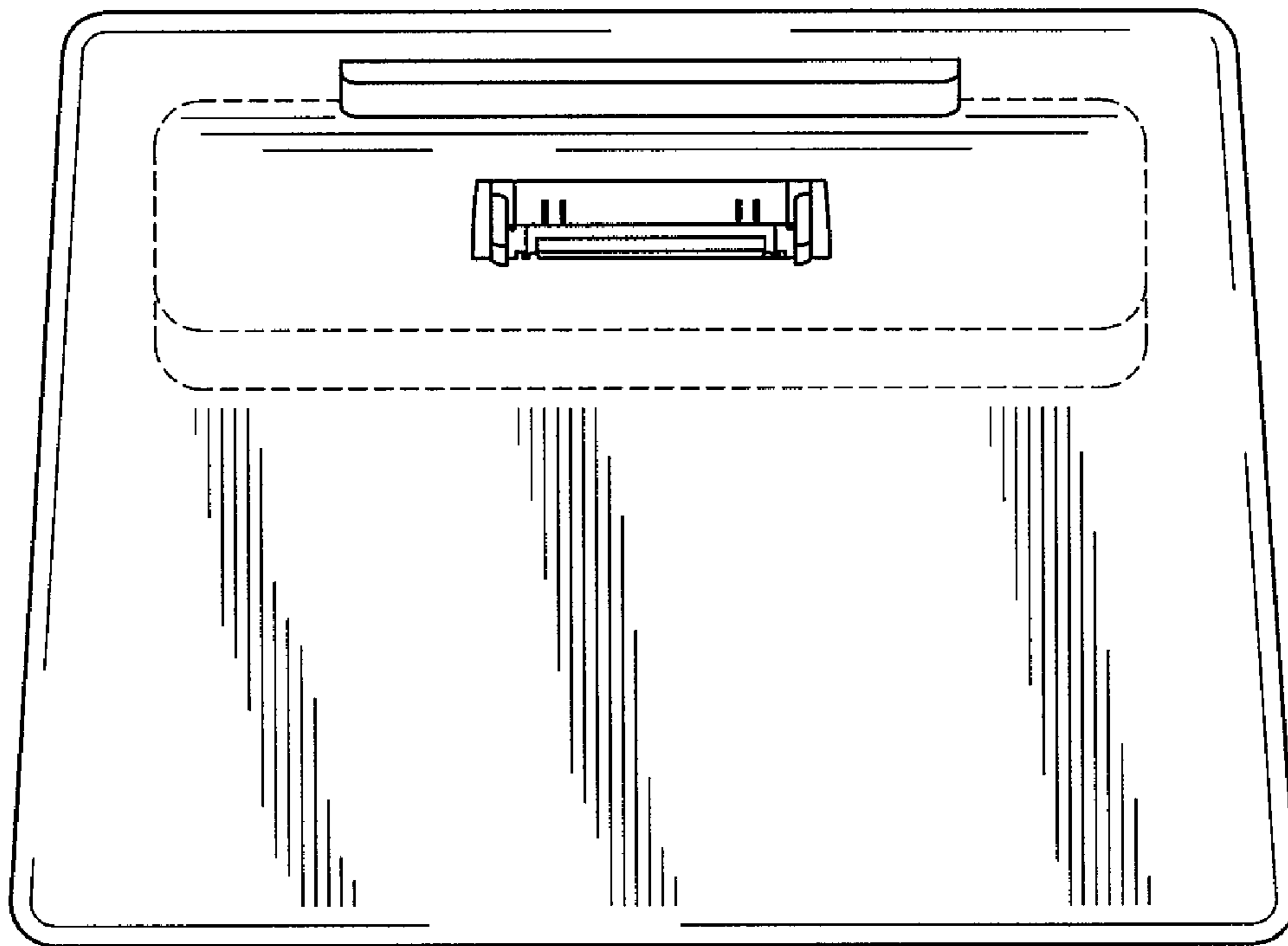


Fig. 7

