



US00D551656S

(12) **United States Design Patent**
Ritsher et al.

(10) **Patent No.:** **US D551,656 S**

(45) **Date of Patent:** **** Sep. 25, 2007**

(54) **PORTABLE MEDIA REPRODUCTION SYSTEM**

D393,642 S * 4/1998 Yuyama D14/216
D504,675 S * 5/2005 Dayan D14/216

(75) Inventors: **Kenneth Ritsher**, Chicago, IL (US);
Richard Messerle, Port Jervis, NY (US);
Eric Aaron Langberg, Milford, PA (US)

* cited by examiner

Primary Examiner—Nanda Bondade
(74) *Attorney, Agent, or Firm*—Adam B. Landa; Richard E. Kurtz; Greenberg Traurig, LLP

(73) Assignee: **Altec Lansing, a division of Plantronics, Inc.**, Milford, PA (US)

(57) **CLAIM**

(**) Term: **14 Years**

The ornamental design for a portable media reproduction system, as shown and described.

(21) Appl. No.: **29/241,244**

DESCRIPTION

(22) Filed: **Oct. 26, 2005**

(51) **LOC (8) Cl.** **14-01**

(52) **U.S. Cl.** **D14/216**

(58) **Field of Classification Search** D14/204,
D14/207, 209–216, 356, 496, 217; 181/143–144,
181/147–148, 150, 157, 198–199, 151, 153;
381/300–302, 306, 333, 345, 361–364, 386–388,
381/332, 336; D21/483

FIG. 1 is a perspective view of a portable media reproduction system showing our new design;
FIG. 2 is front elevational view thereof;
FIG. 3 is a rear elevational view thereof;
FIG. 4 is a left side elevational view thereof;
FIG. 5 is a right side elevational view thereof;
FIG. 6 is a top plan view thereof; and,
FIG. 7 is a bottom plan view thereof.

See application file for complete search history.

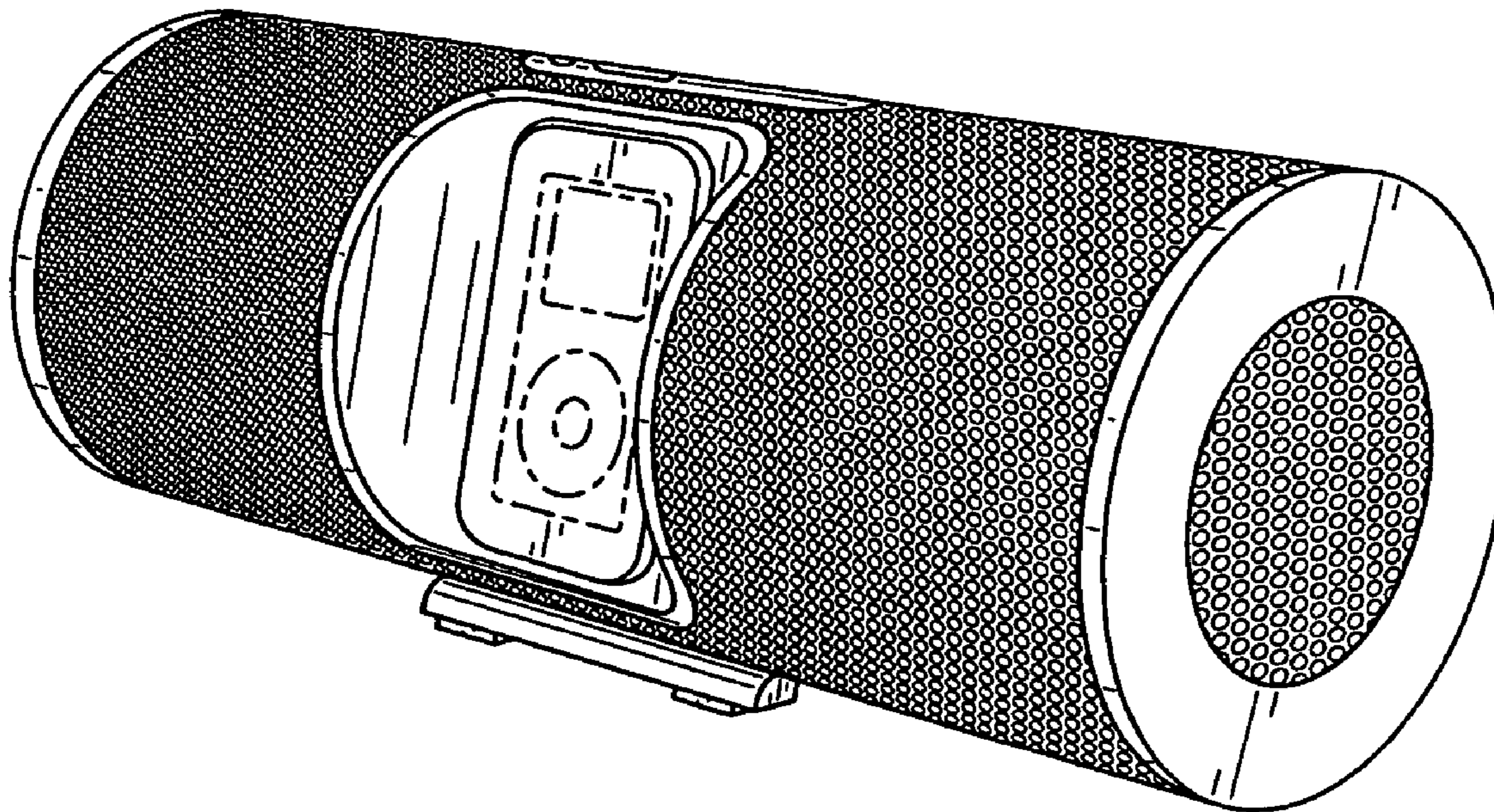
The broken line showing on the drawing disclosure is for illustrative purposes only and forms no part of the claimed design.

(56) **References Cited**

U.S. PATENT DOCUMENTS

D223,580 S * 5/1972 Richards D14/215
4,334,211 A * 6/1982 McConnell et al. 181/143

1 Claim, 4 Drawing Sheets



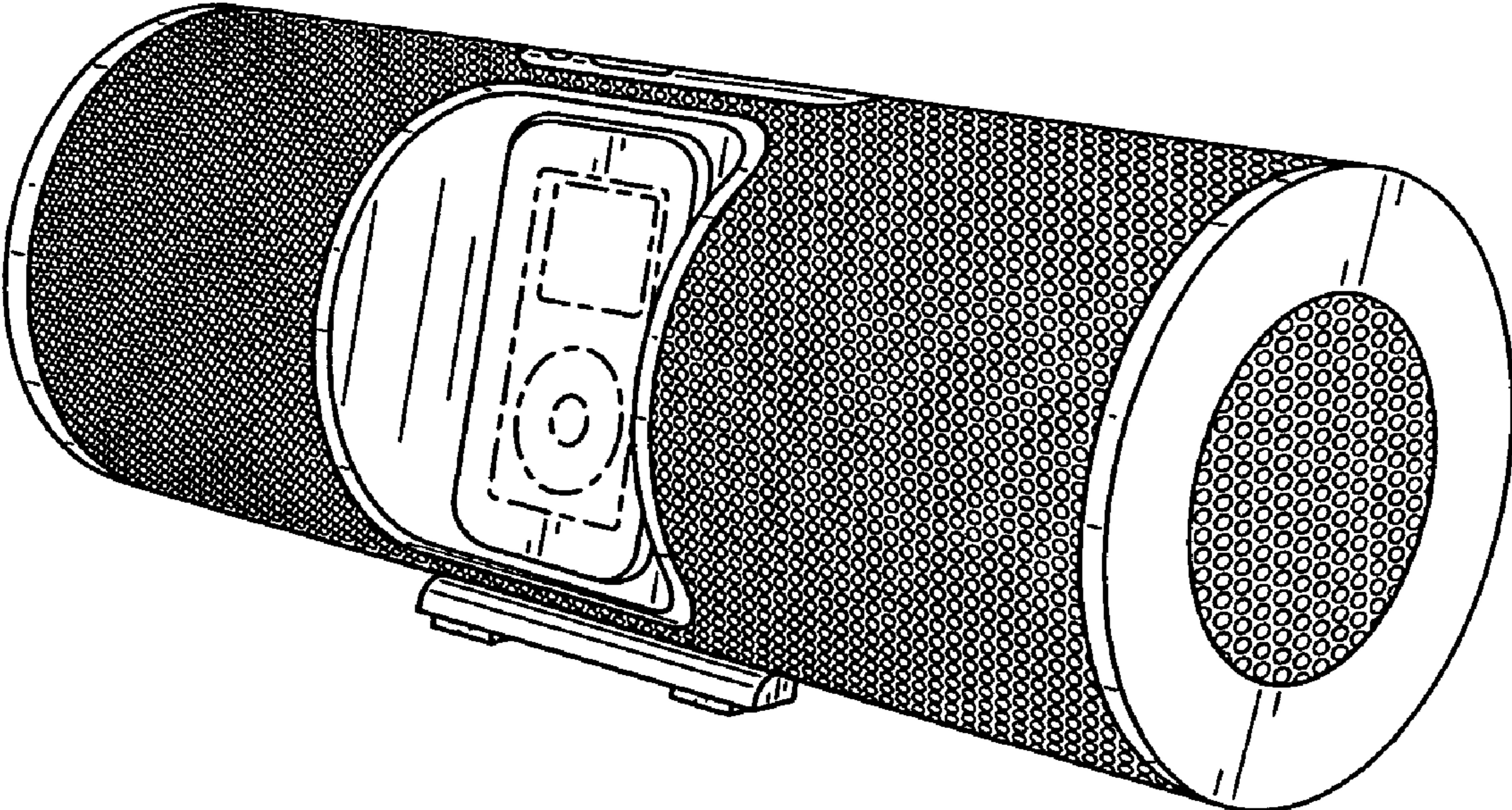


FIG. 1

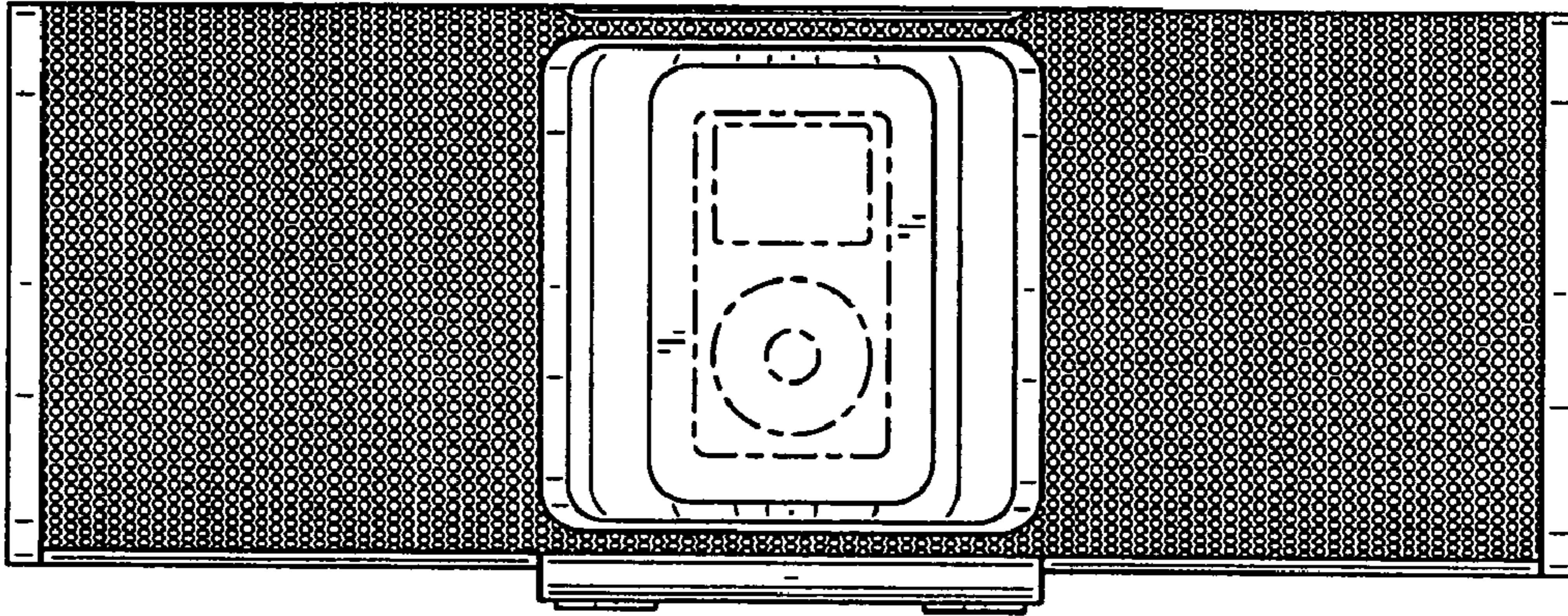


FIG. 2

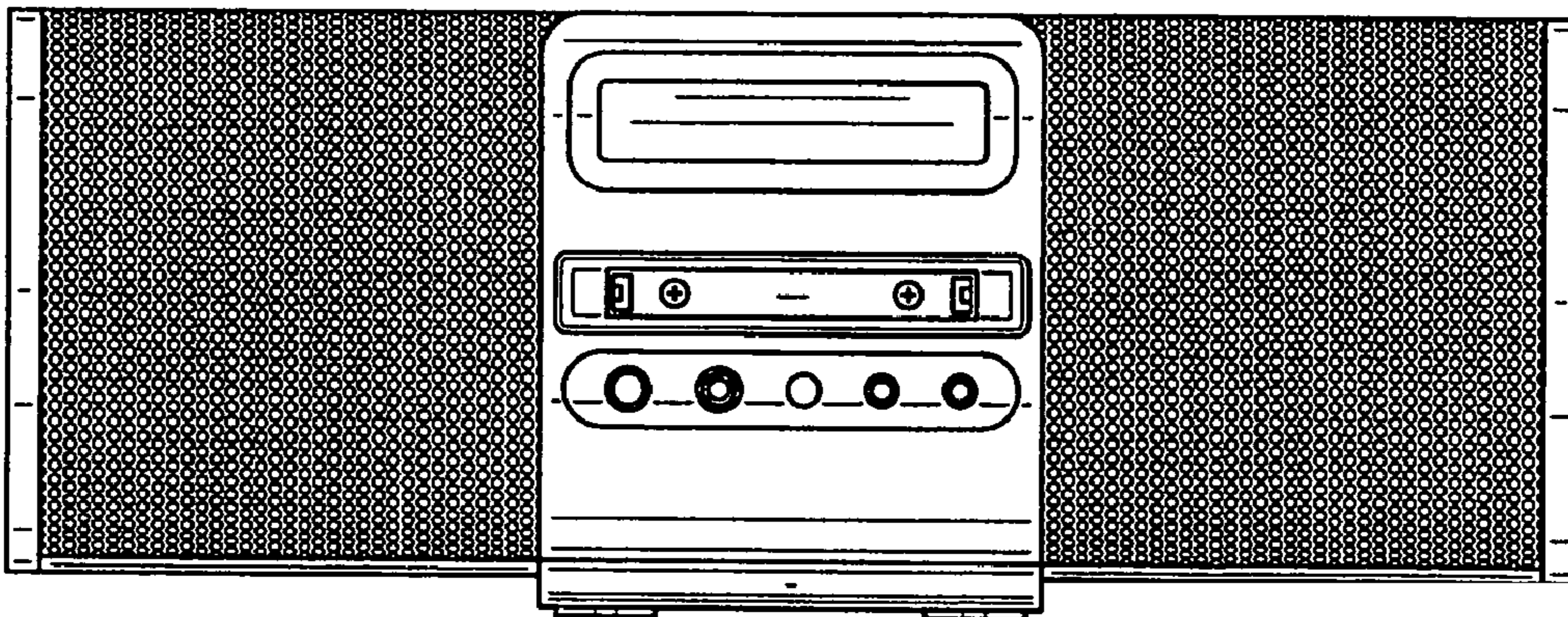


FIG. 3

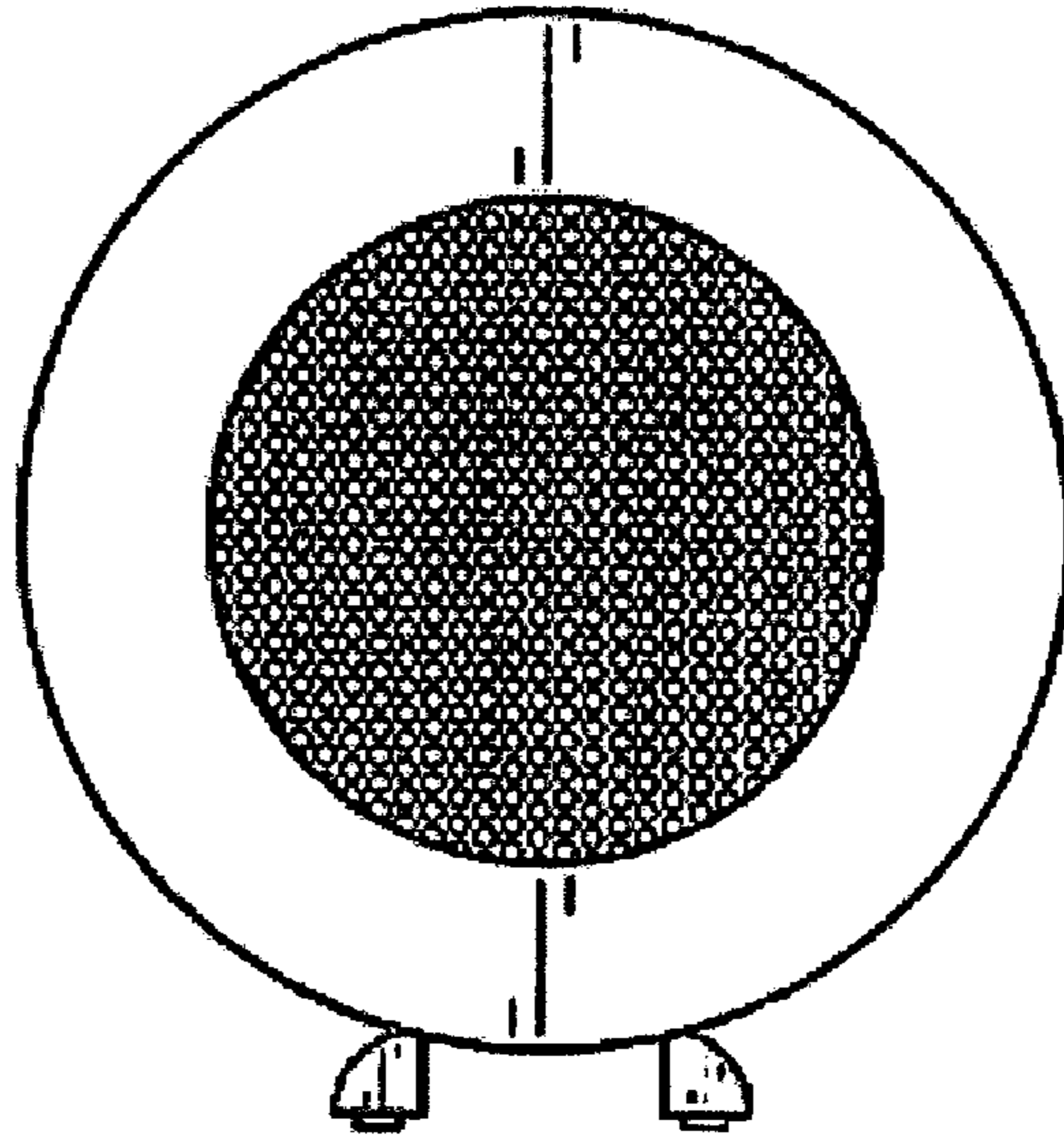


FIG. 4

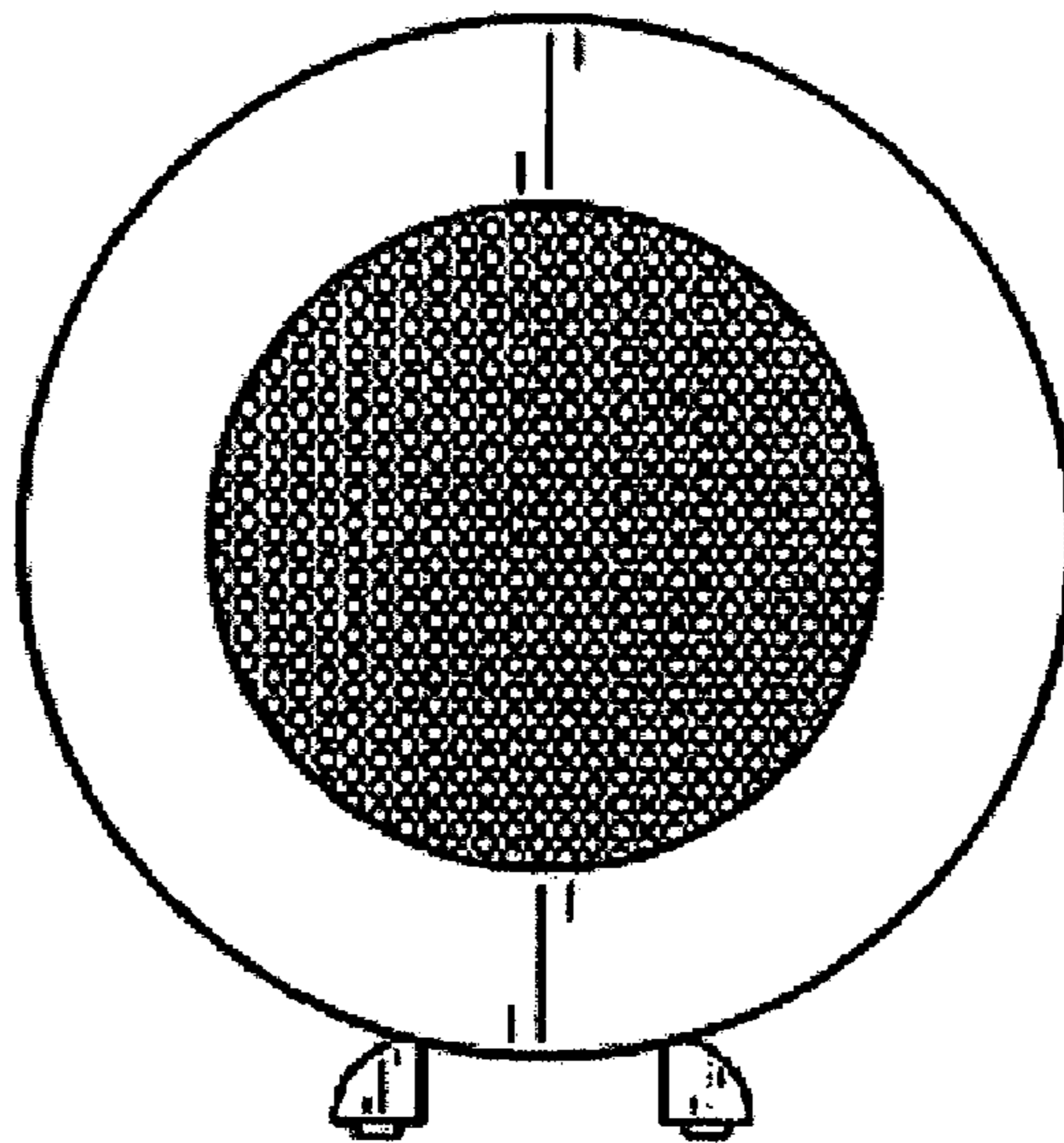


FIG. 5

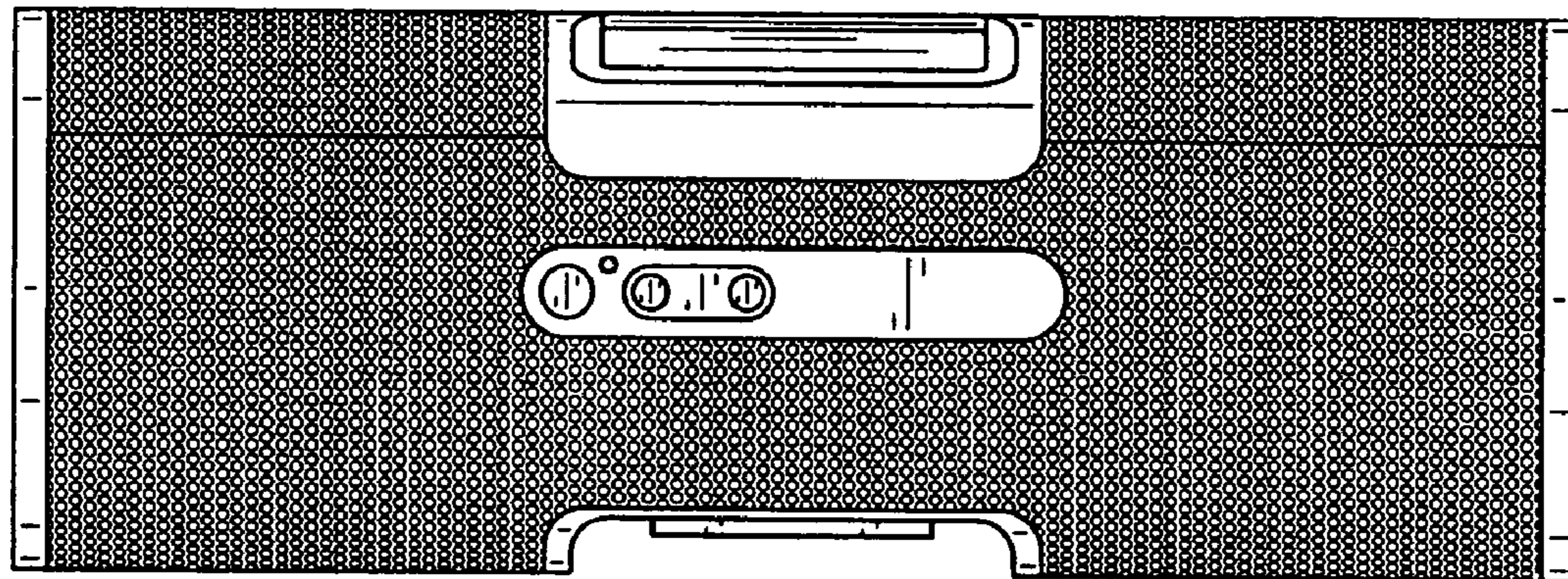


FIG. 6

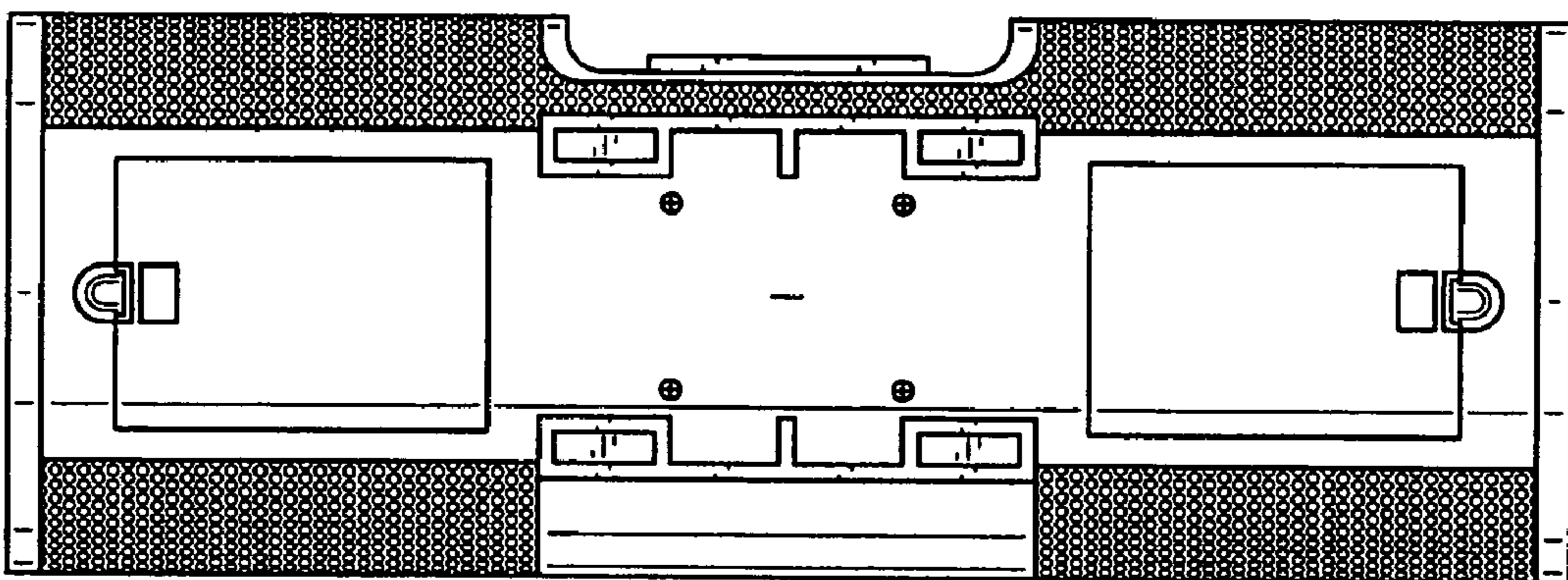


FIG. 7