



US00D551651S

(12) **United States Design Patent** (10) **Patent No.:** **US D551,651 S**
Sakai (45) **Date of Patent:** **** Sep. 25, 2007**

(54) **DISC PLAYER**

(75) Inventor: **Wakaba Sakai**, Tokyo (JP)

(73) Assignee: **Sony Corporation**, Tokyo (JP)

(**) Term: **14 Years**

(21) Appl. No.: **29/255,400**

(22) Filed: **Mar. 9, 2006**

(51) **LOC (8) Cl.** **14-01**

(52) **U.S. Cl.** **D14/156**

(58) **Field of Classification Search** D14/135-136,
D14/156, 160-165, 167-168, 188, 217, 496,
D14/445; 360/99.02, 99.07; 369/75.11,
369/75.21, 77.21, 77.11; 720/612, 619, 647,
720/655; 455/344, 347-351
See application file for complete search history.

(56) **References Cited**

U.S. PATENT DOCUMENTS

D433,672 S * 11/2000 Kobayashi D14/156
D499,080 S * 11/2004 Matsuoka D14/156
D505,937 S 6/2005 Komiyama
D511,763 S * 11/2005 Deguchi D14/167

OTHER PUBLICATIONS

Web page "D-NE700" http://www.sony.co.uk/view/ShowProduct.action?product=D-NE700&site+odw_GB&pageType=Overview&category=PAW+Wailman, 1 sheet, Sony (Jan. 2006).
Web page "D-EJ760" <http://www.abland.co.uk/sony/dej760/>, 1 sheet, Sony (Jan. 2006).

* cited by examiner

Primary Examiner—Nanda Bondade
(74) *Attorney, Agent, or Firm*—Rader, Fishman & Grauer PLLC

(57) **CLAIM**

The ornamental design for a disc player, as shown.

DESCRIPTION

FIG. 1 is a perspective view of a disc player showing my new design;

FIG. 2 is a front elevational view thereof;

FIG. 3 is a rear elevational view thereof;

FIG. 4 is a left side elevational view thereof;

FIG. 5 is a right side elevational view thereof;

FIG. 6 is a top plan view thereof; and,

FIG. 7 is a bottom plan view thereof.

1 Claim, 7 Drawing Sheets

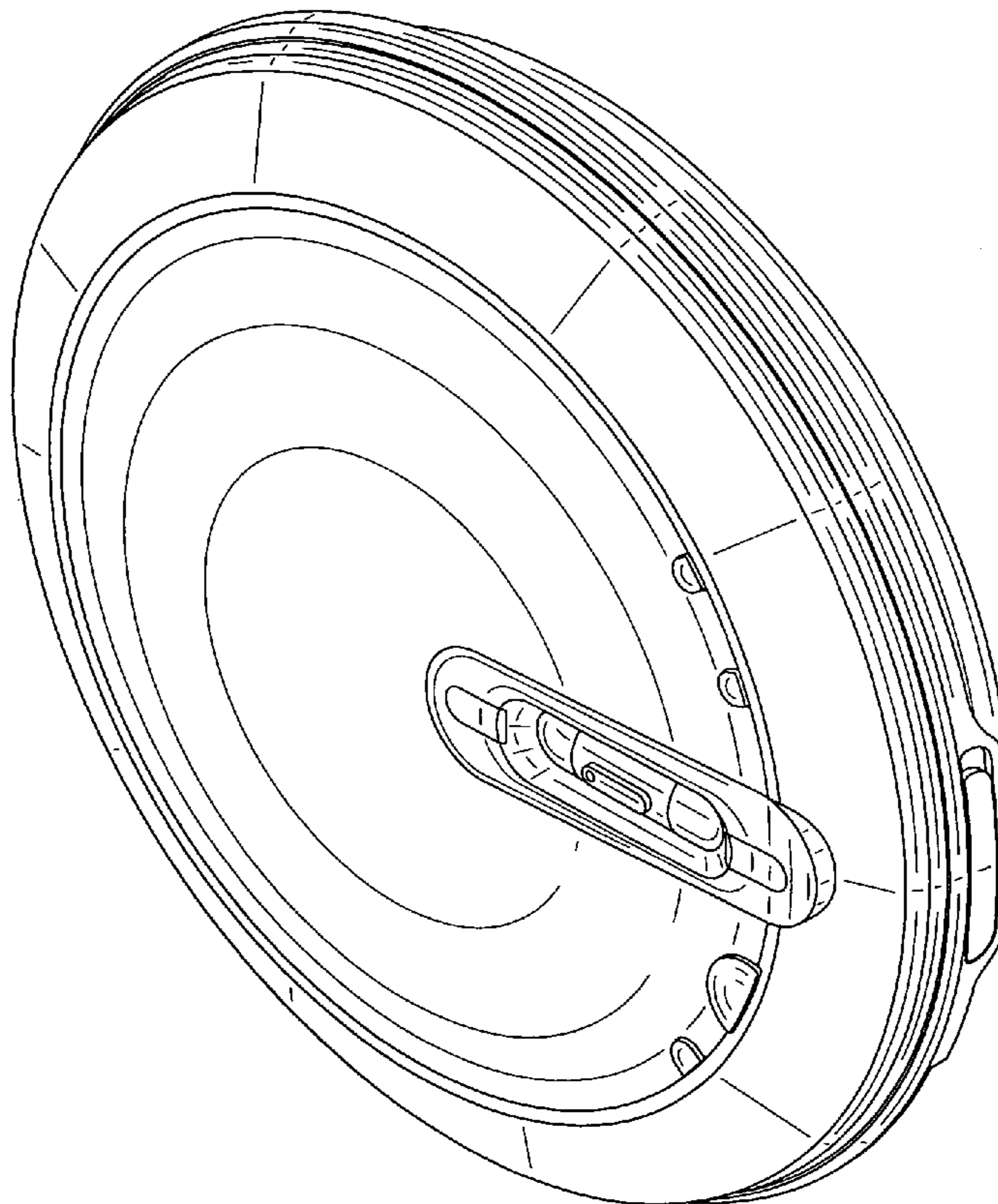


Fig.1

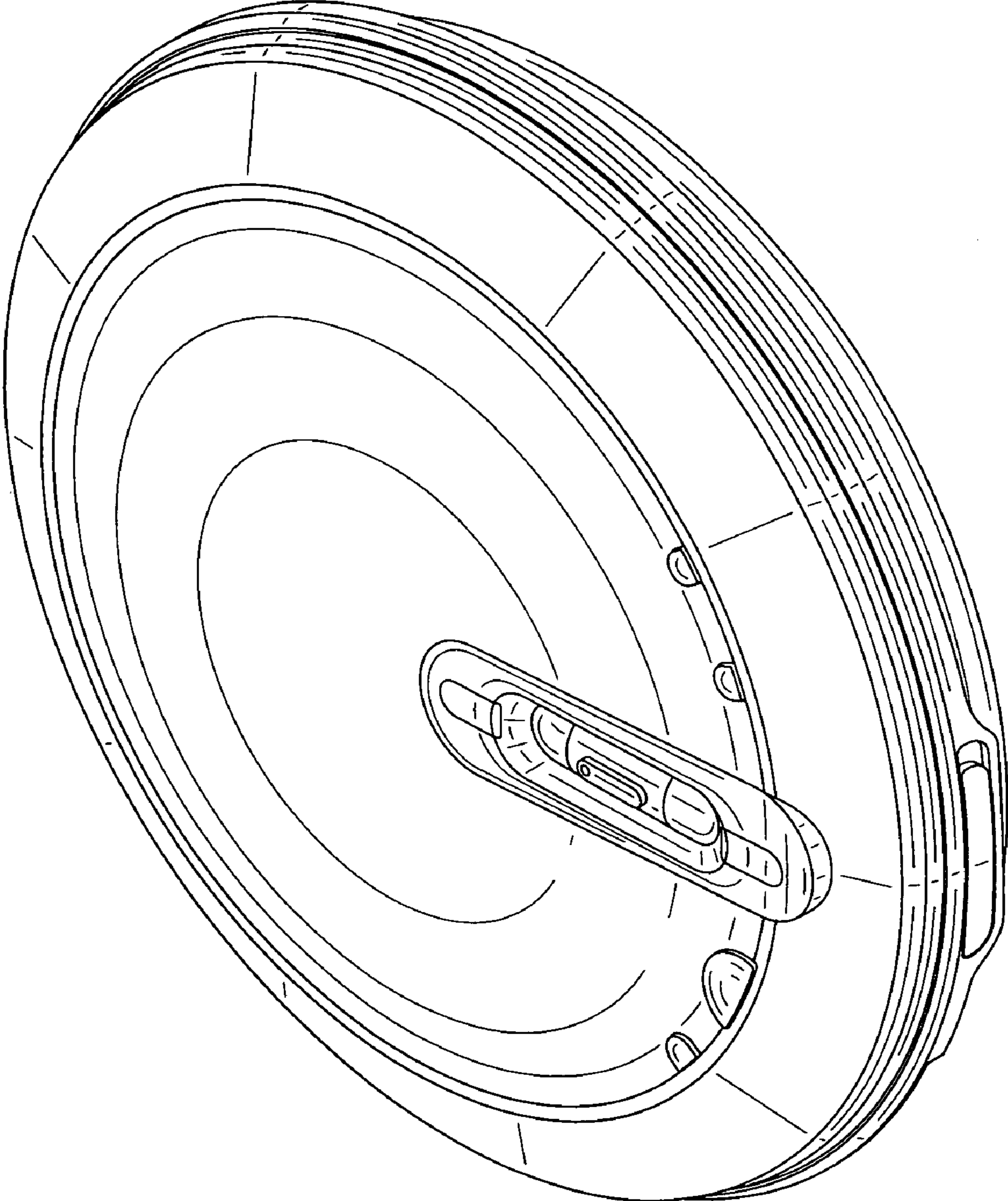


Fig.2

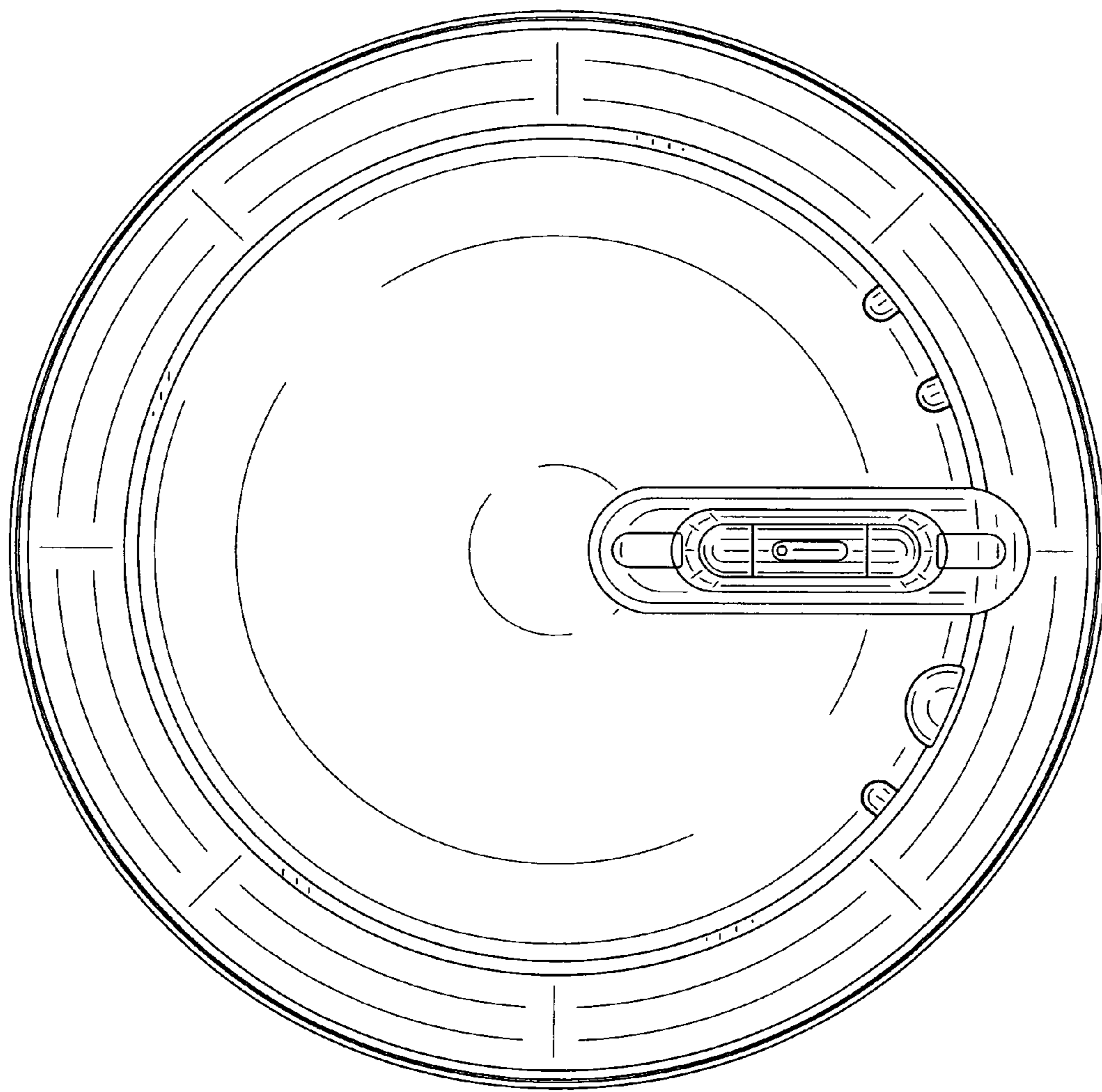


Fig.3



Fig.4

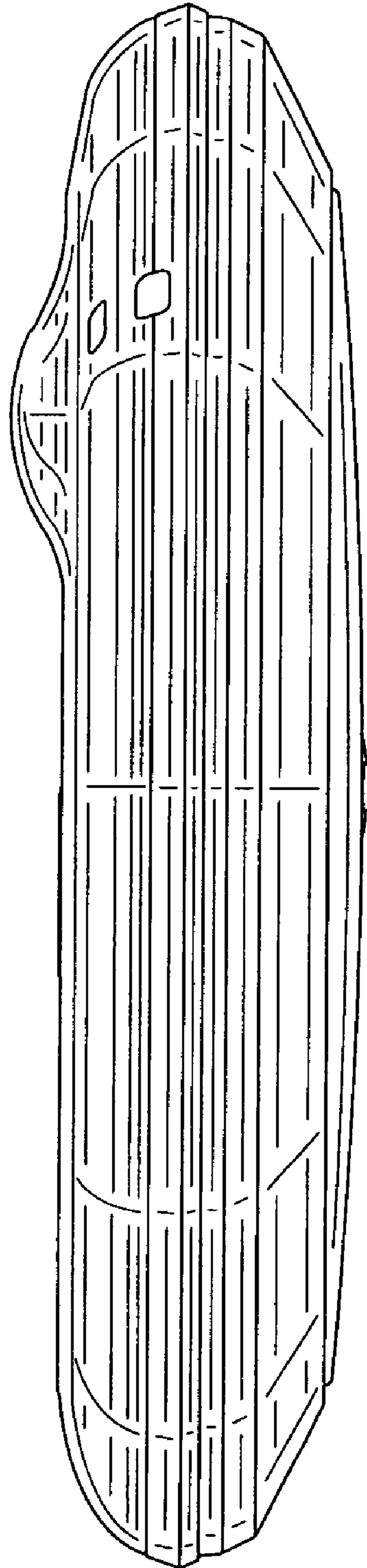


Fig.5

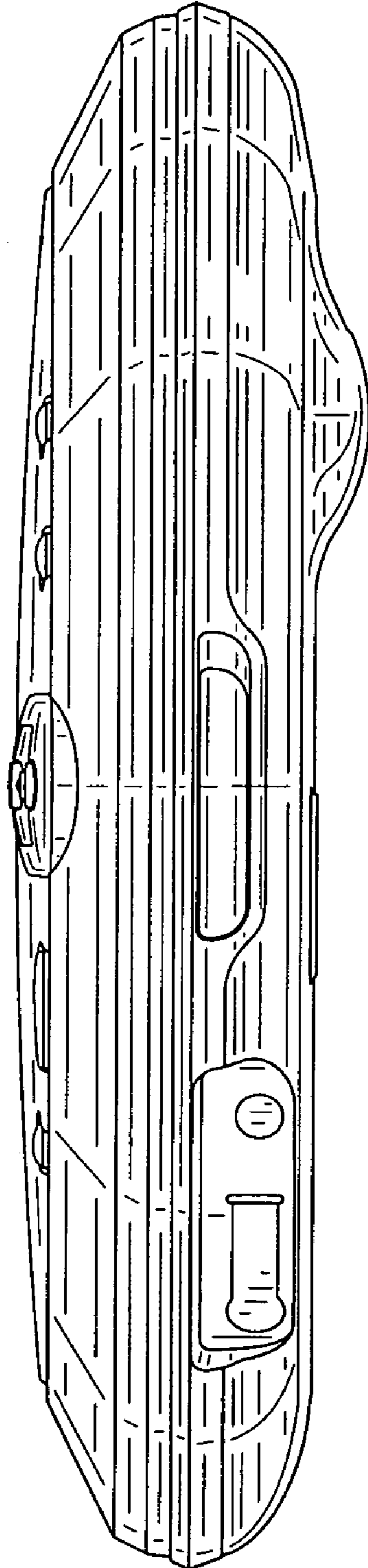


Fig.6

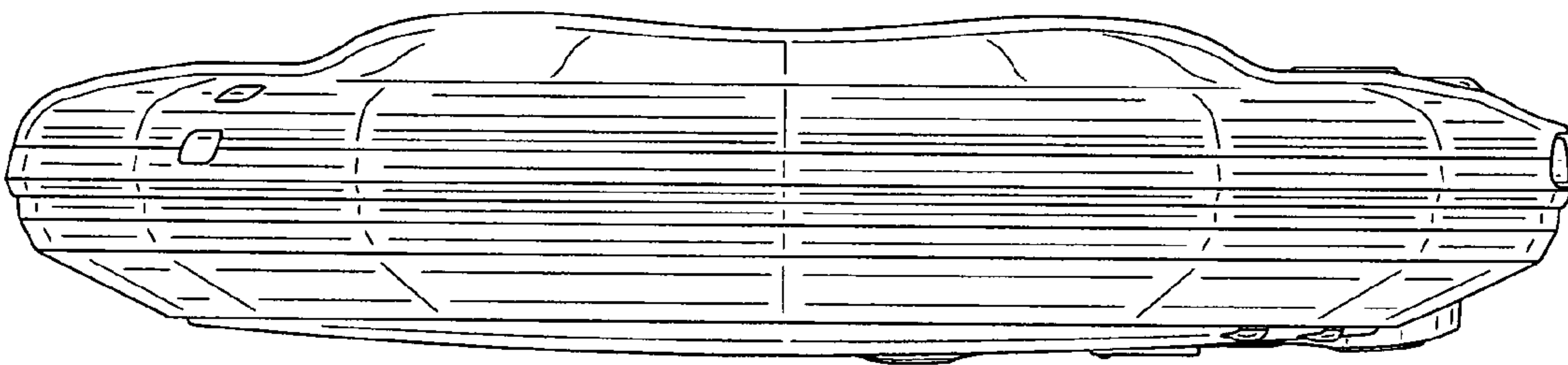


Fig.7

