



US00D551650S

(12) **United States Design Patent** (10) **Patent No.:** **US D551,650 S**
DiPasquale (45) **Date of Patent:** **** Sep. 25, 2007**

(54) **REPEATER**

(75) Inventor: **Kathy E. DiPasquale**, Baltimore, MD (US)

(73) Assignee: **Black & Decker Inc.**, Newark, DE (US)

(**) Term: **14 Years**

(21) Appl. No.: **29/243,776**

(22) Filed: **Nov. 30, 2005**

(51) **LOC (8) Cl.** **14-03**

(52) **U.S. Cl.** **D14/140.1; D14/240**

(58) **Field of Classification Search** D14/240, D14/242, 300, 348, 356, 233, 349, 353, 496, D14/156; D13/184, 199; 360/69; 379/220.01, 379/221.09, 220.14, 25, 93.09, 93.15, 156, 379/900, 338, 339; 381/124

See application file for complete search history.

(56) **References Cited**

U.S. PATENT DOCUMENTS

3,618,067	A	11/1971	DeVala	
D342,250	S	12/1993	Beaumont et al.	
D344,954	S *	3/1994	Scheid et al.	D14/242
D348,070	S	6/1994	Vallillee	
D349,968	S	8/1994	Elliott	
D351,841	S *	10/1994	Blankenship et al.	D14/242
5,365,217	A	11/1994	Toner	
D354,500	S *	1/1995	Georgopoulos	D14/242
D364,618	S *	11/1995	Somoza	D14/142

D368,145	S	3/1996	Smith	
D374,673	S	10/1996	Beaumont et al.	
D413,881	S	9/1999	Ida et al.	
D430,501	S	9/2000	Meoli, Jr.	
6,127,926	A	10/2000	Dando	
D442,104	S	5/2001	Costa et al.	
D486,813	S *	2/2004	Chun	D14/156
D518,019	S *	3/2006	Ching	D14/156
D536,703	S *	2/2007	Kim	D14/496
D539,811	S *	4/2007	Lee	D14/496
2004/0178880	A1	9/2004	Meyer et al.	

* cited by examiner

Primary Examiner—Charles A. Rademaker
(74) *Attorney, Agent, or Firm*—Joseph F. Key

(57) **CLAIM**

The ornamental design for a repeater, as shown and described.

DESCRIPTION

FIG. 1 is a left and front perspective view of a repeater showing my new design;

FIG. 2 is a front elevation thereof;

FIG. 3 is a rear elevation thereof;

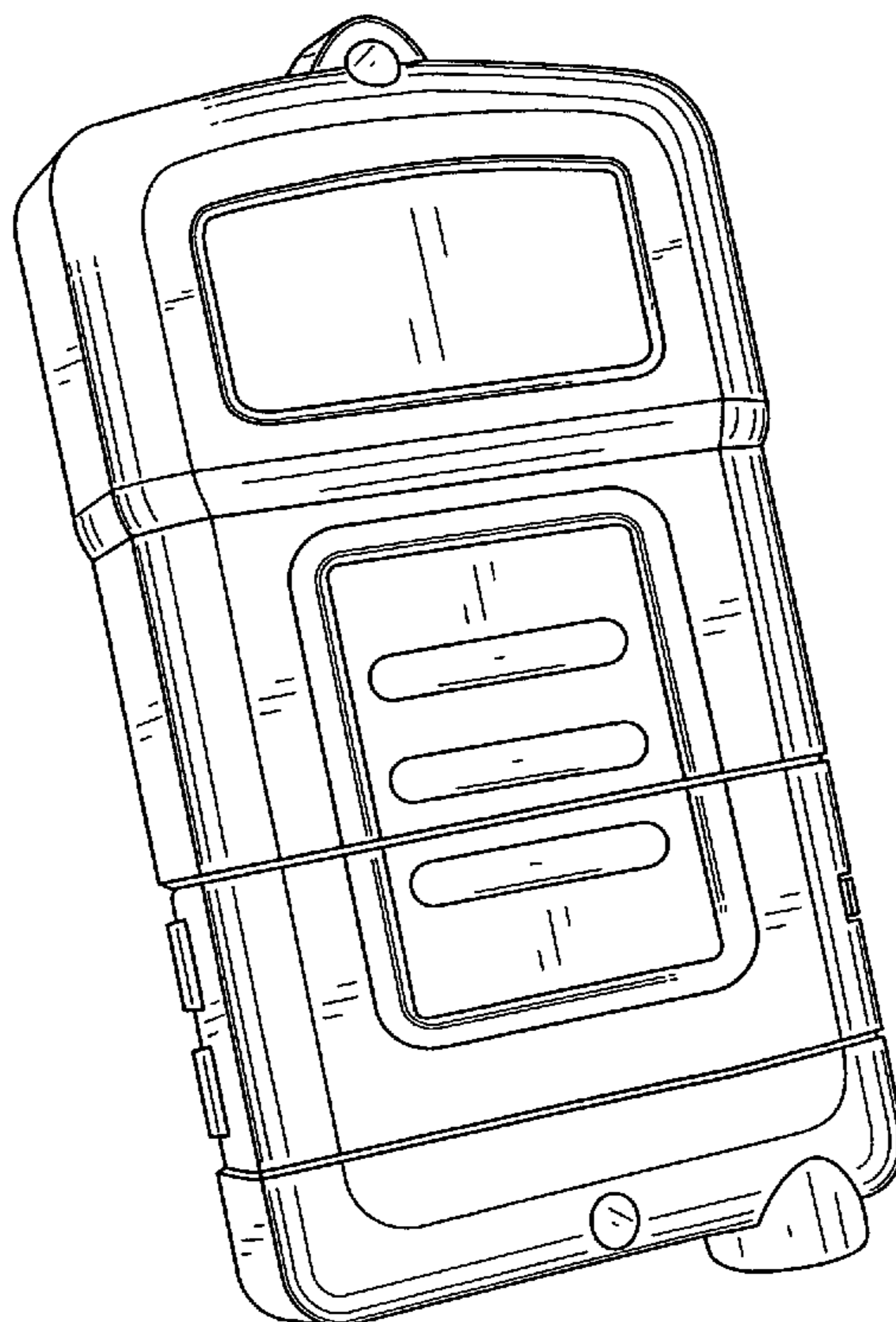
FIG. 4 is a left side elevation thereof;

FIG. 5 is a right side elevation thereof;

FIG. 6 is a top plan view thereof; and,

FIG. 7 is a bottom plan view thereof.

1 Claim, 5 Drawing Sheets



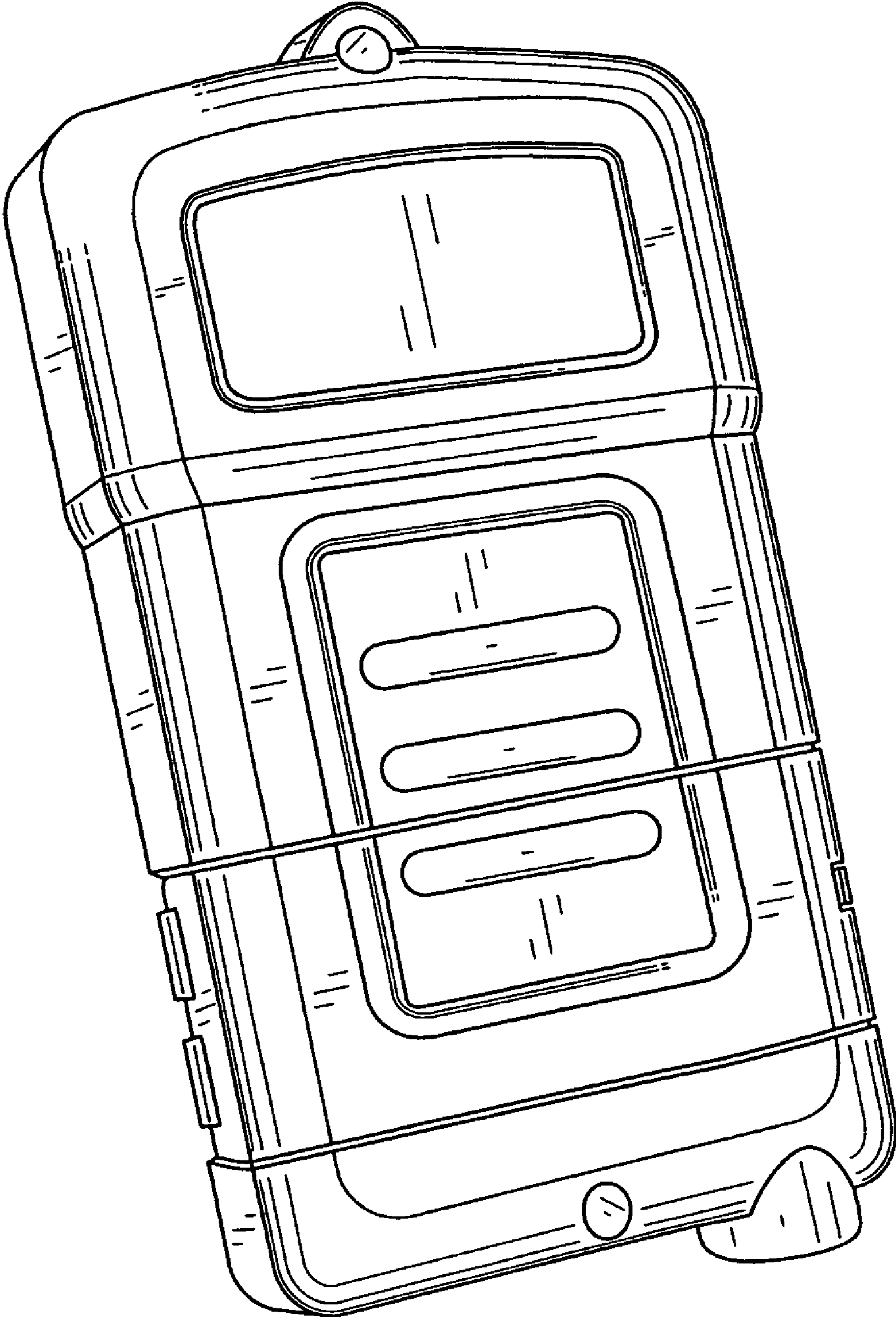


FIG. 1

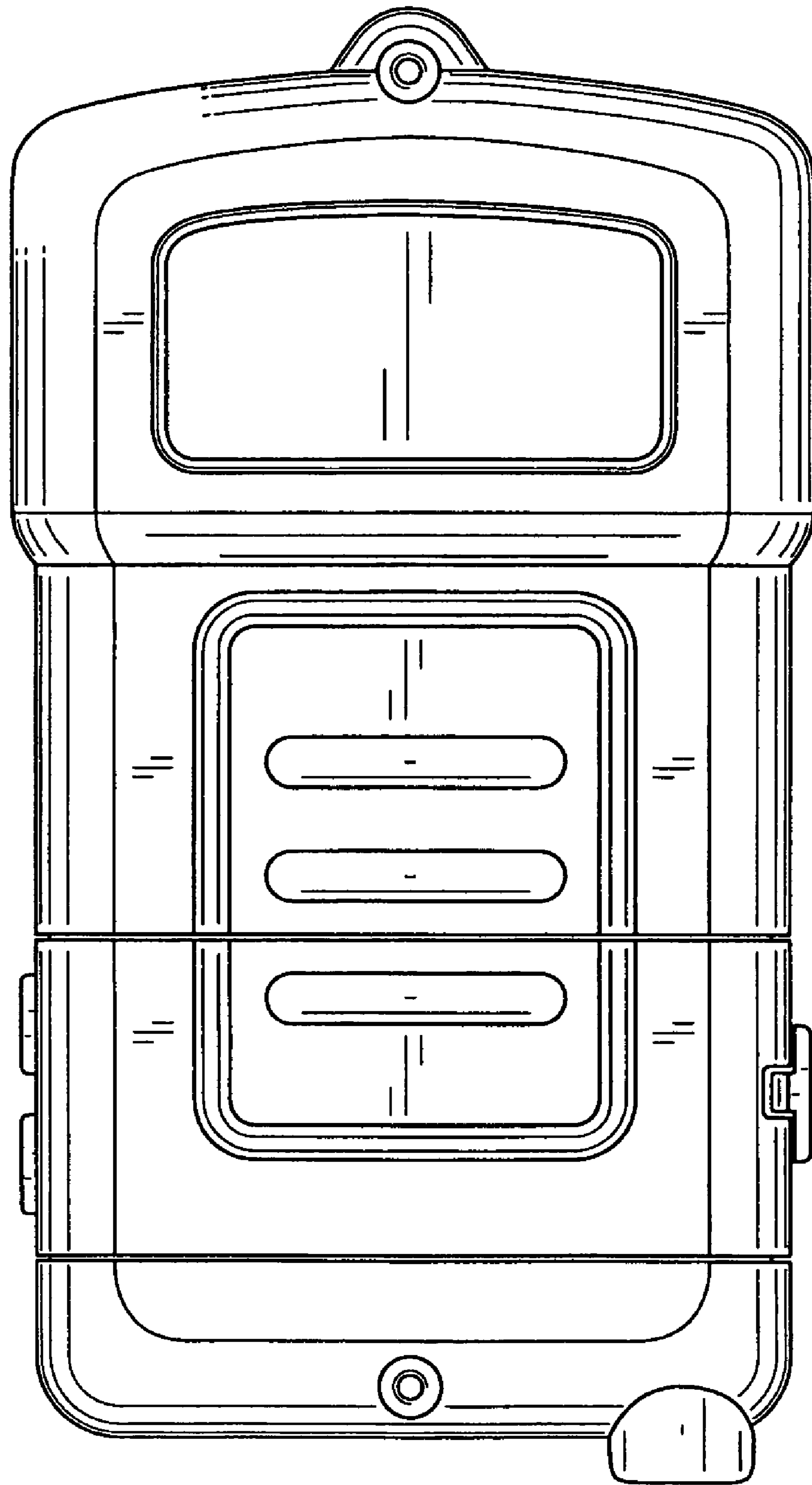


FIG. 2

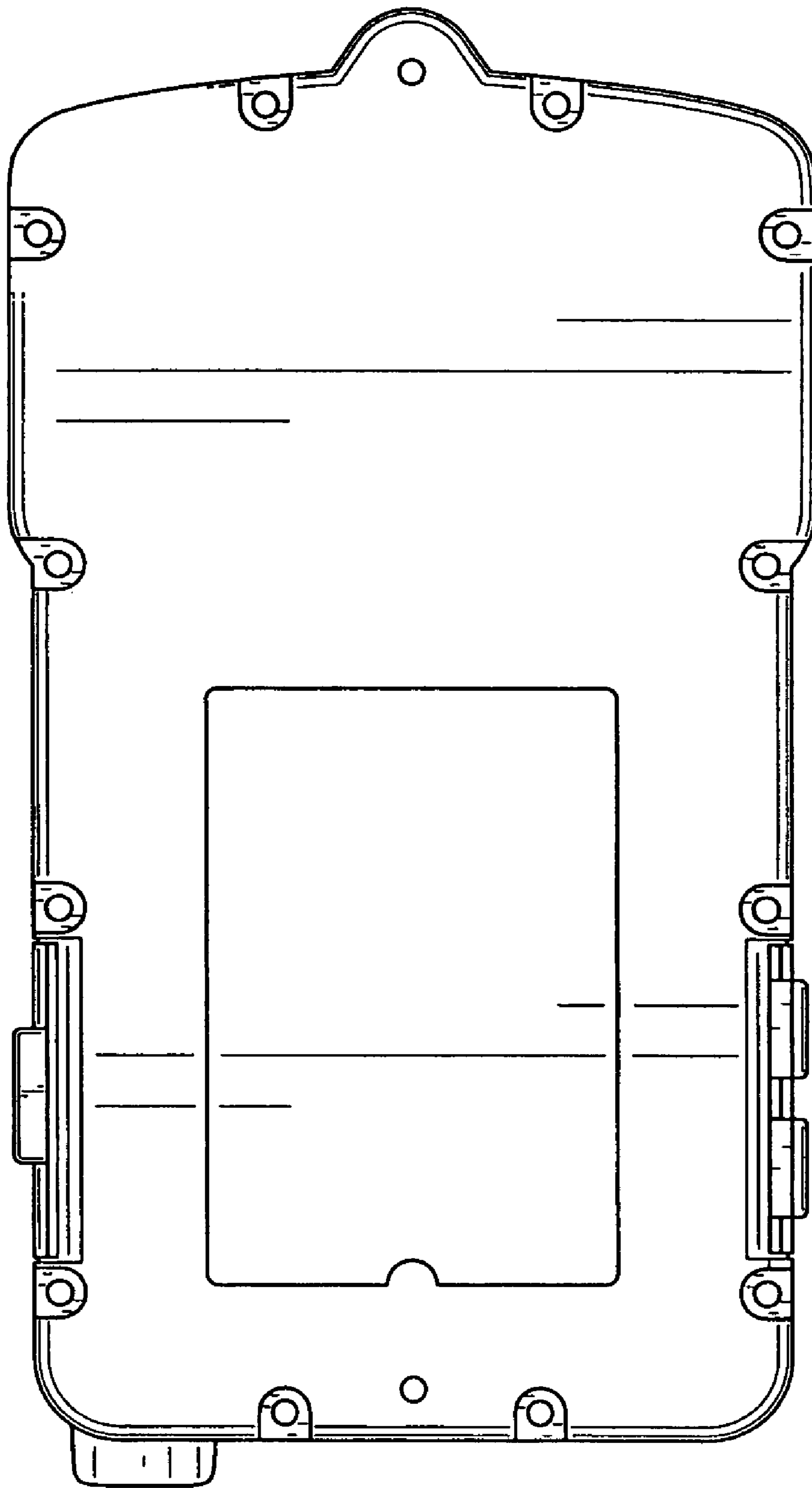


FIG. 3

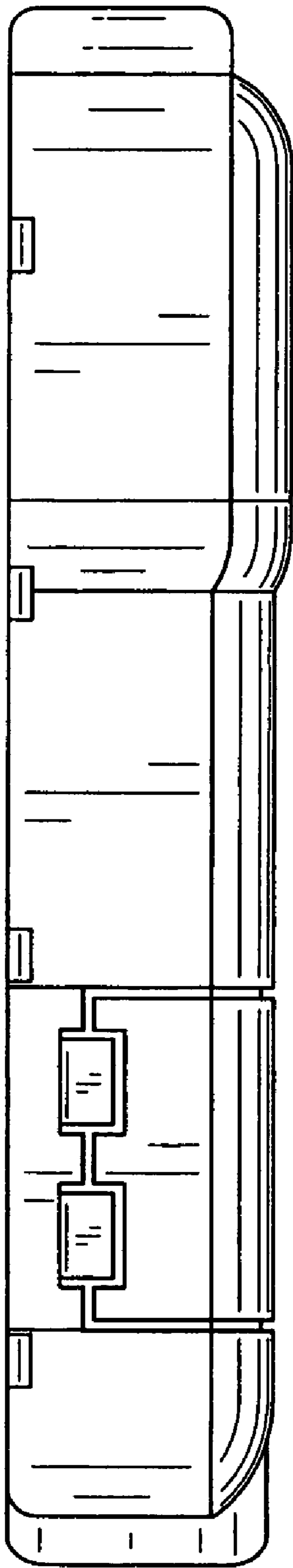


FIG. 4

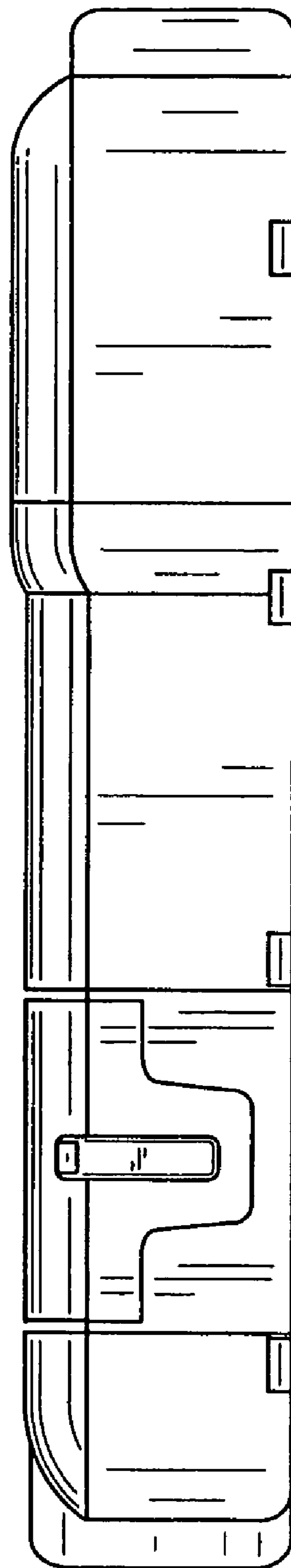


FIG. 5

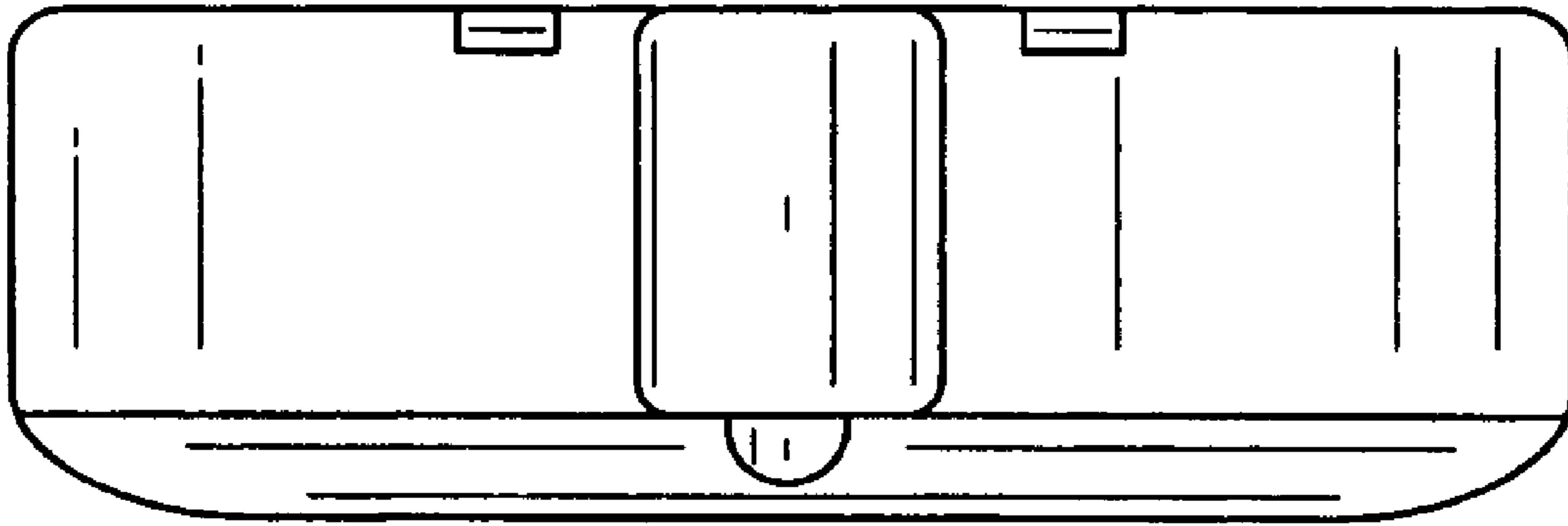


FIG. 6

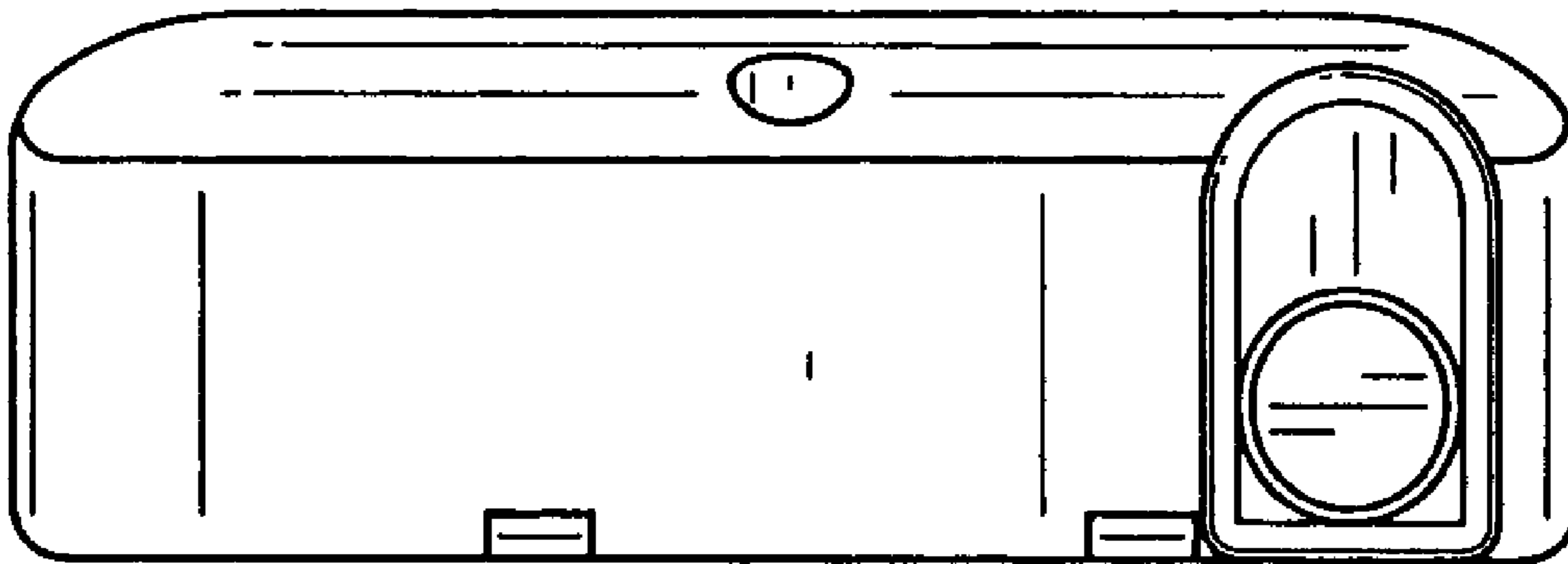


FIG. 7