



US00D551649S

(12) **United States Design Patent**
Moon et al.

(10) **Patent No.:** **US D551,649 S**
(45) **Date of Patent:** **** Sep. 25, 2007**

(54) **CELLULAR PHONE**

(75) Inventors: **Yeo-Jin Moon**, Gwangi-si (KR);
Joon-Suh Kim, Anyang-si (KR);
Chang-Soo Lee, Incheon (KR)

(73) Assignee: **Samsung Electronics Co., Ltd.**,
Suwon-Si (KR)

(**) Term: **14 Years**

(21) Appl. No.: **29/267,019**

(22) Filed: **Oct. 4, 2006**

(51) **LOC (8) Cl.** **14-03**

(52) **U.S. Cl.** **D14/138**

(58) **Field of Classification Search** D14/137-138,
D14/147-148, 156, 218, 247-248, 341-347,
D14/496; D16/208; D21/329, 331, 333,
D21/517; 348/14.01-14.02; 361/814; 379/
433.01-433.13; 455/556.1-556.2, 575.1,
455/575.3, 575.4, 566, 90.3

See application file for complete search history.

(56) **References Cited**

U.S. PATENT DOCUMENTS

D265,326 S *	7/1982	Sugiyama	D21/331
D394,883 S *	6/1998	Tsui	D21/331
D502,160 S *	2/2005	Chen et al.	D14/138
D513,011 S *	12/2005	Johnson	D14/496
D515,528 S *	2/2006	Miyazawa et al.	D14/138
D527,366 S *	8/2006	Lee	D14/138
D532,425 S *	11/2006	Kim	D14/496
D533,565 S *	12/2006	Kim	D14/496

D533,876 S *	12/2006	Kim	D14/496
2004/0162118 A1 *	8/2004	Park et al.	455/575.1
2006/0094464 A1 *	5/2006	Kyou et al.	455/556.1

FOREIGN PATENT DOCUMENTS

WO DM/067687 * 3/2006

OTHER PUBLICATIONS

“Asus V80”, 3 pp including photos, [online], <URL:http://www.gsmarena.com/asus_v80-1728.php>, announced Jul. 2006, retrieved on Feb. 15, 2007.*

* cited by examiner

Primary Examiner—Ian Simmons

Assistant Examiner—Carla Jobe Wright

(74) *Attorney, Agent, or Firm*—Staas & Halsey LLP

(57) **CLAIM**

The ornamental design for a cellular phone, as shown and described.

DESCRIPTION

FIG. 1 is a perspective view of a cellular phone according to our new design;

FIG. 2 is a front elevational view thereof;

FIG. 3 is a rear elevational view thereof;

FIG. 4 is a left side elevational view thereof;

FIG. 5 is a right side elevational view thereof;

FIG. 6 is a top plan view thereof; and,

FIG. 7 is a bottom plan view thereof.

1 Claim, 7 Drawing Sheets

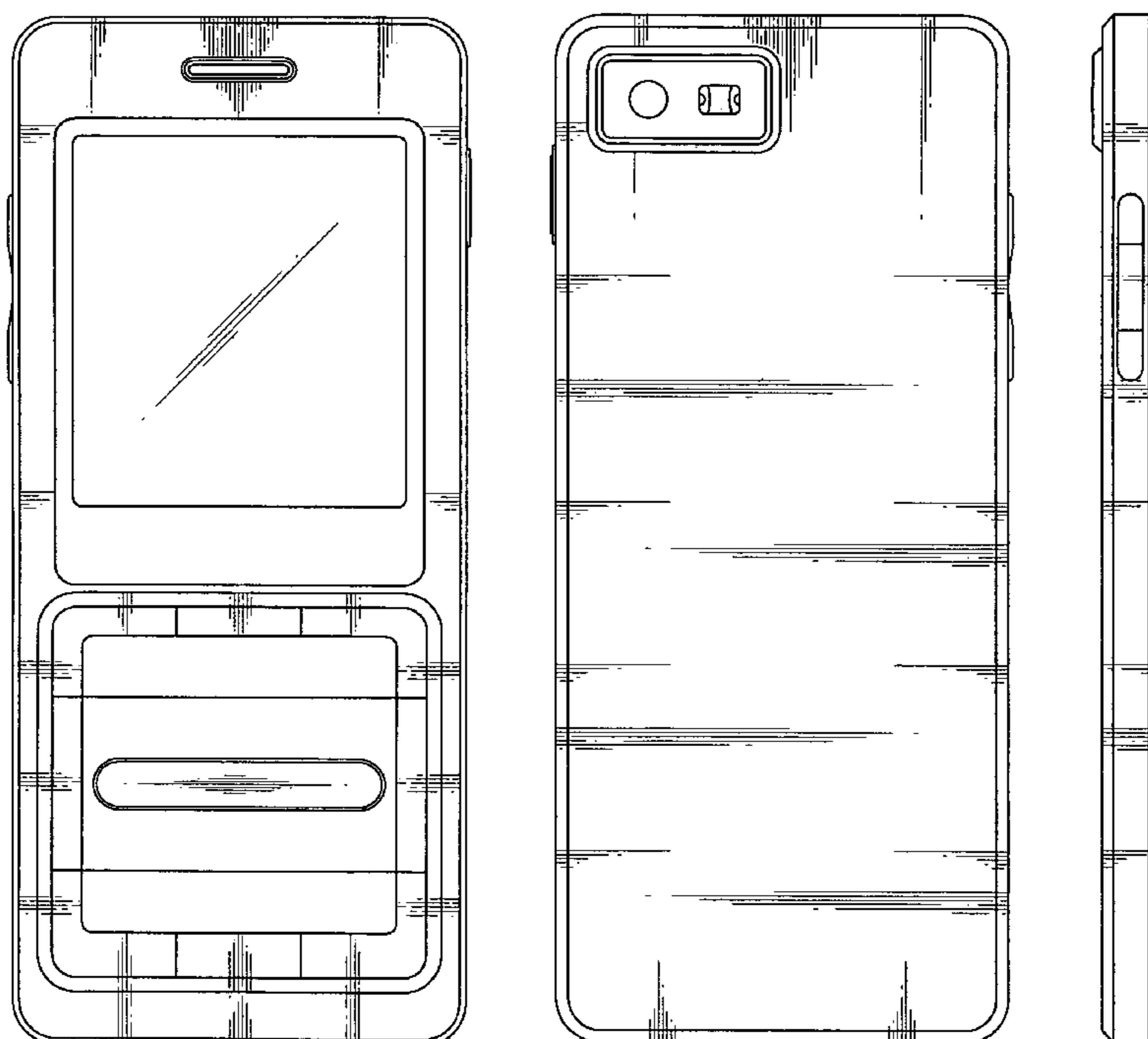


FIG. 1

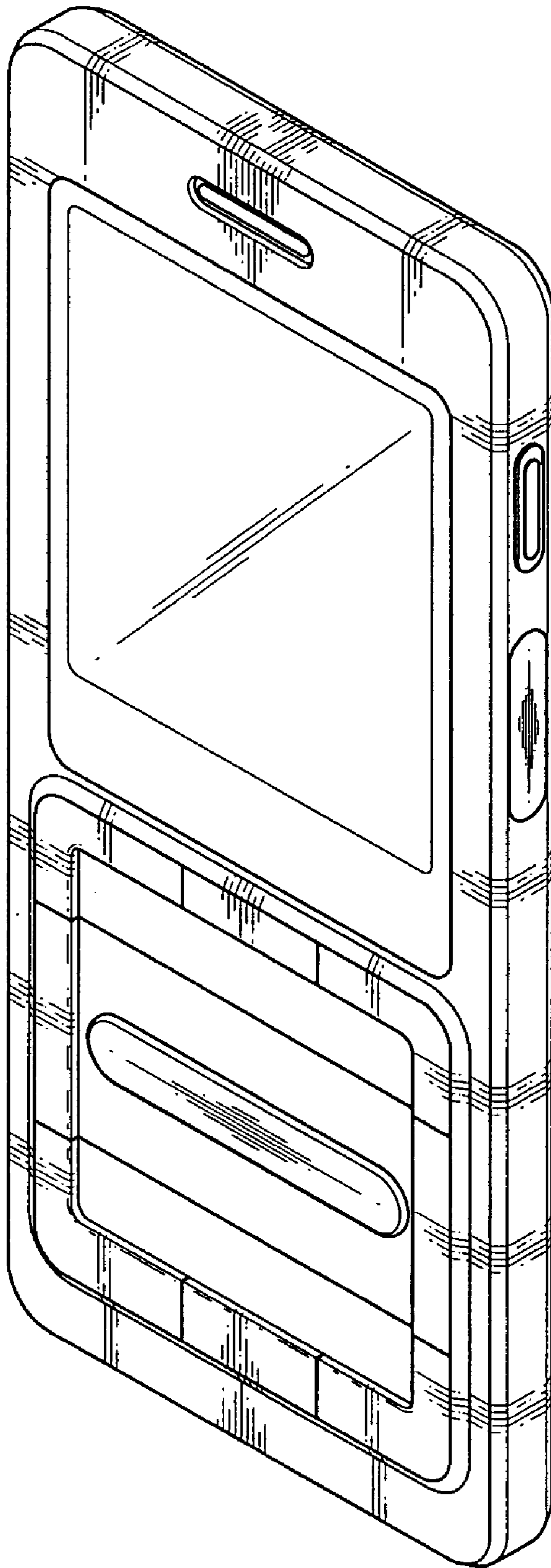


FIG. 2

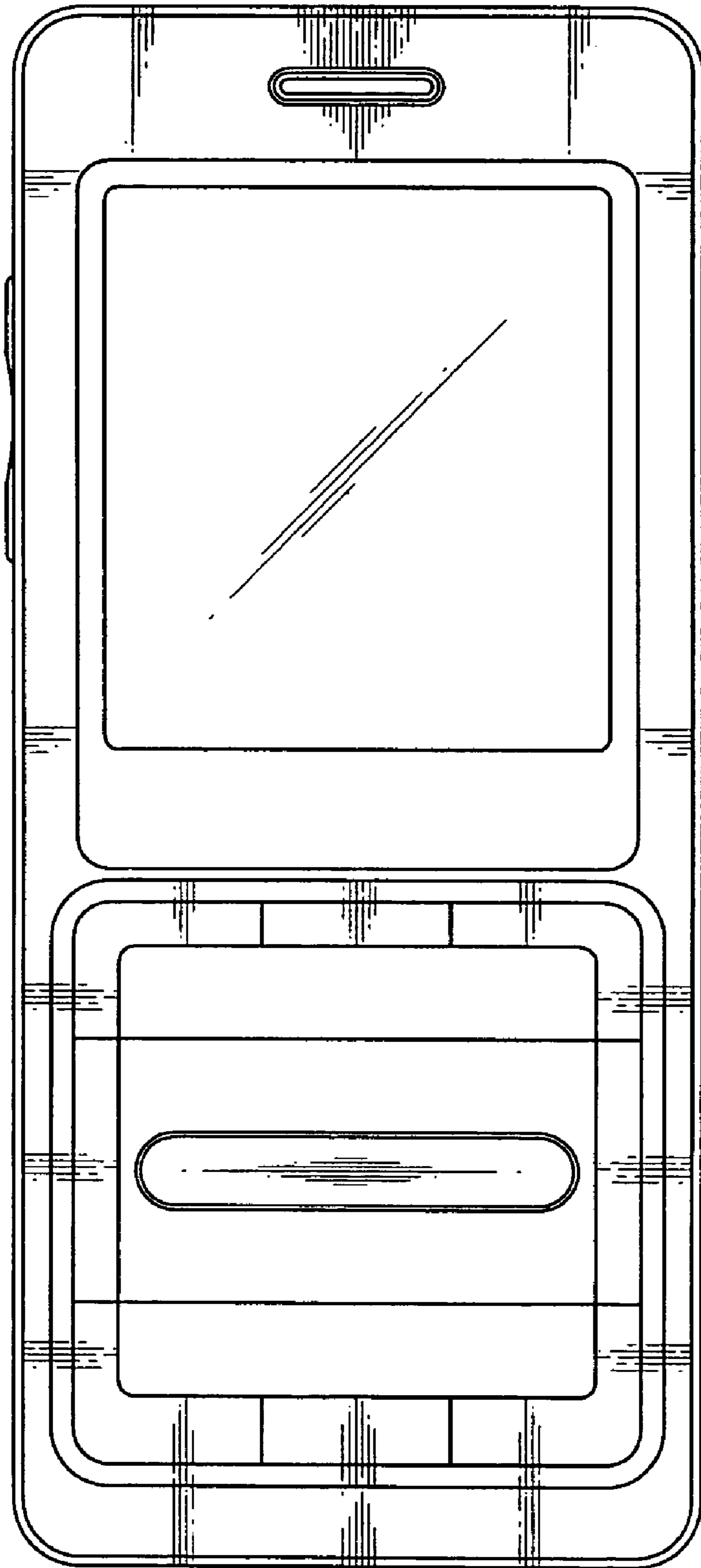


FIG. 3

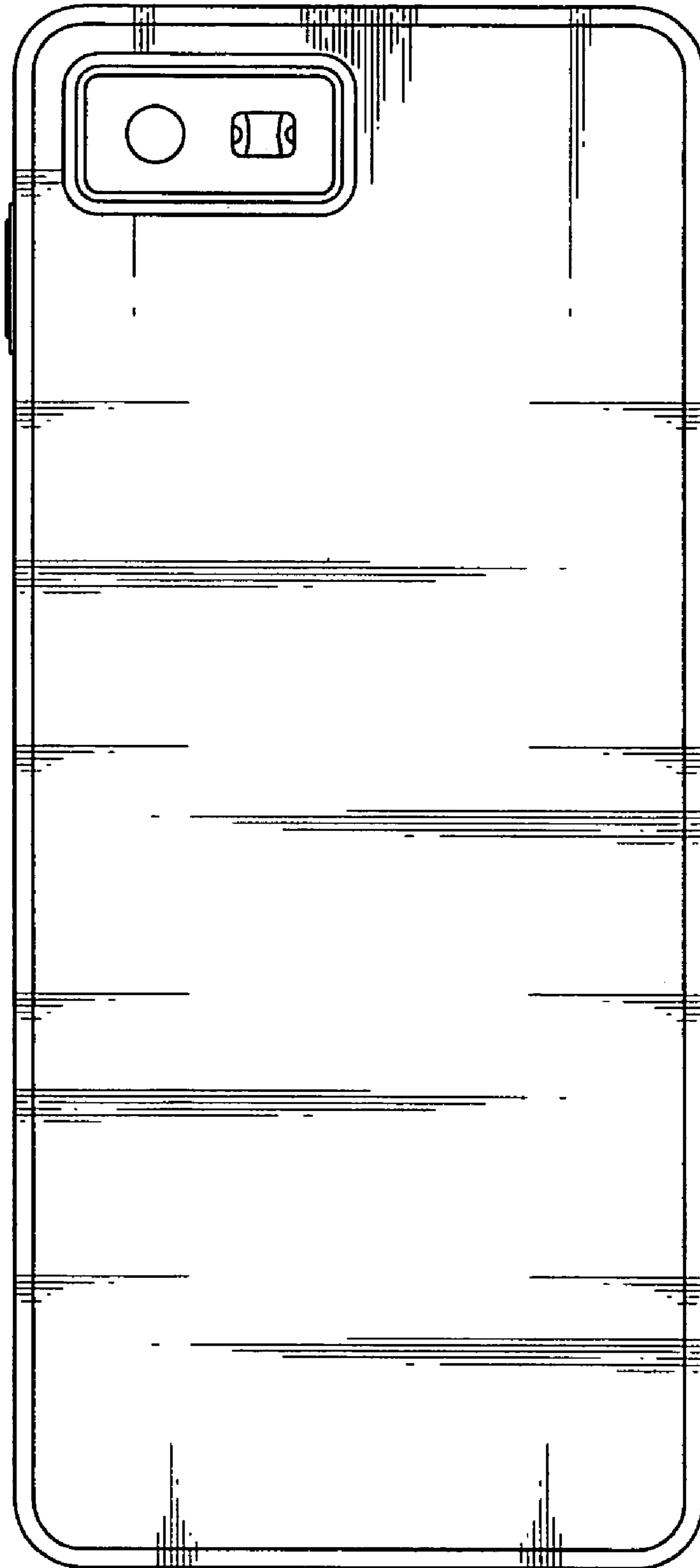


FIG. 4

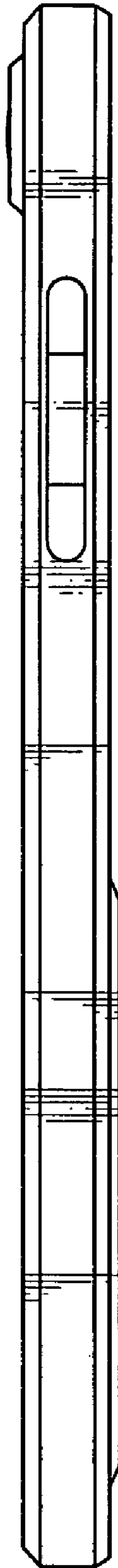


FIG. 5

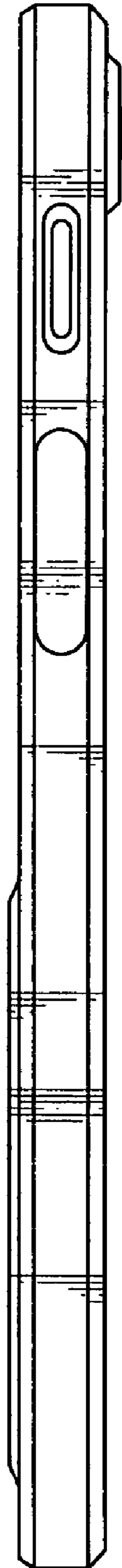


FIG. 6



FIG. 7

