



US00D551648S

(12) **United States Design Patent** (10) **Patent No.:** **US D551,648 S**
Kim et al. (45) **Date of Patent:** **** Sep. 25, 2007**

(54) **MOBILE PHONE**

(75) Inventors: **Young-Sae Kim**, Los Altos, CA (US);
Chi-Young Ahn, Seoul (KR);
Young-Ju Yeo, Seoul (KR);
Chang-Hwan Hwang, Goyang-si (KR)

(73) Assignee: **Samsung Electronics Co., Ltd.**,
Suwon-Si (KR)

(**) Term: **14 Years**

(21) Appl. No.: **29/243,698**

(22) Filed: **Nov. 30, 2005**

(30) **Foreign Application Priority Data**

Jun. 27, 2005 (KR) 30-2005-0021405

(51) **LOC (8) Cl.** **14-03**

(52) **U.S. Cl.** **D14/138**

(58) **Field of Classification Search** D14/138,
D14/341-347, 147-148, 496; 379/433.01-433.13;
455/575.3, 566, 575.1, 556.1, 556.2, 90.3
See application file for complete search history.

(56) **References Cited**

U.S. PATENT DOCUMENTS

D423,000	S	*	4/2000	Prietsman et al.	D14/138
D477,293	S	*	7/2003	Hwang	D14/138
D496,020	S	*	9/2004	Lee	D14/138
D501,838	S	*	2/2005	Kim et al.	D14/138
D511,509	S	*	11/2005	Kim et al.	D14/138
D512,395	S	*	12/2005	Kim et al.	D14/138
D512,975	S	*	12/2005	Tsai et al.	D14/138
D517,517	S	*	3/2006	Li et al.	D14/138
D518,807	S	*	4/2006	Choi et al.	D14/138
D518,812	S	*	4/2006	Kim et al.	D14/138
D520,980	S	*	5/2006	Taniyama et al.	D14/138
D534,908	S	*	1/2007	Lee	D14/346
D537,426	S	*	2/2007	Arbisi	D14/138
7,174,195	B2	*	2/2007	Nagamine	455/575.1
2002/0173340	A1	*	11/2002	Watanabe	455/556

2003/0013417	A1	*	1/2003	Bum	455/90
2003/0203747	A1	*	10/2003	Nagamine	455/575.3
2003/0223576	A1	*	12/2003	Totani	379/433.04
2004/0203527	A1	*	10/2004	Matsumoto	455/90.3
2004/0224732	A1	*	11/2004	Lee et al.	455/575.3
2005/0113156	A1	*	5/2005	Park et al.	455/575.4
2005/0124392	A1	*	6/2005	Jeong	455/575.1
2006/0222174	A1	*	10/2006	Kang et al.	379/433.07

FOREIGN PATENT DOCUMENTS

WO DM/067924 * 3/2006

OTHER PUBLICATIONS

Samsung P940 telephone, announced Dec. 2006, [online], [retrieved on Mar. 16, 2007]. Retrieved from Internet , <URL: http://www.gsmarena.com>.*
Samsung P910 telephone, announced Feb. 2006, [online], [retrieved on Mar. 5, 2007]. Retrieved from Internet , <URL: http://www.gsmarena.com>.*

(Continued)

Primary Examiner—Jeffrey Asch
(74) *Attorney, Agent, or Firm*—Staas & Halsey LLP

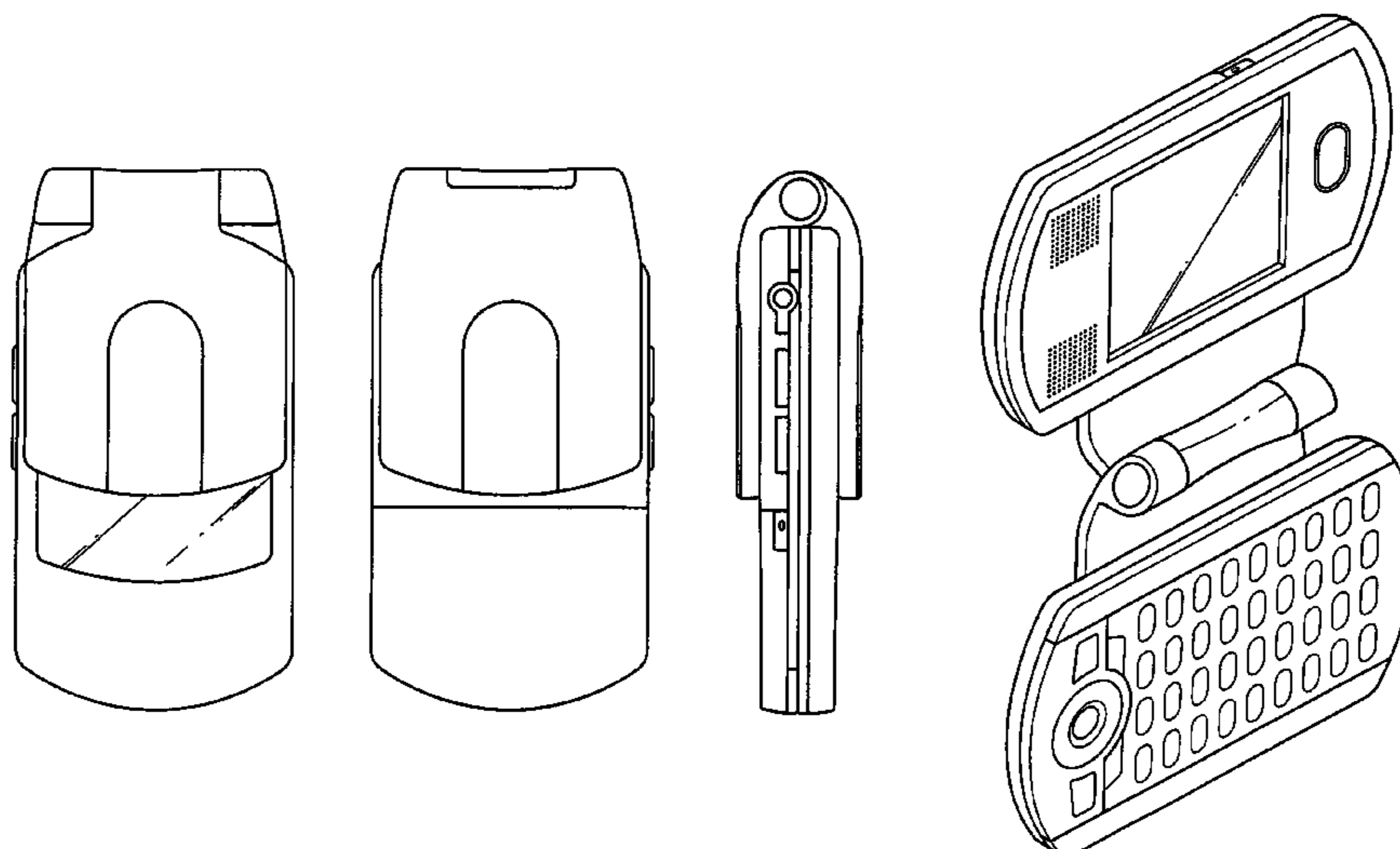
(57) **CLAIM**

The ornamental design for the mobile phone, as shown and described.

DESCRIPTION

FIG. 1 is a perspective view of the mobile phone showing our design;
FIG. 2 is a front view thereof;
FIG. 3 is a rear view thereof;
FIG. 4 is a left side view thereof;
FIG. 5 is a right side view thereof;
FIG. 6 is a top plan view thereof;
FIG. 7 is a bottom plan view thereof; and,
FIG. 8 is a perspective, open view, thereof.

1 Claim, 3 Drawing Sheets



OTHER PUBLICATIONS

Samsung P920 telephone, announced 2nd quarter 2006, [online], [retrieved on Mar. 5, 2007]. Retrieved from Internet , <URL: <http://www.gsmarena.com>>.*

Motorola A668 telephone, announced 4th quarter 2004, [online], [retrieved on Mar. 16, 2007]. Retrieved from Internet , <URL: <http://www.gsmarena.com>>.*

* cited by examiner

FIG. 1

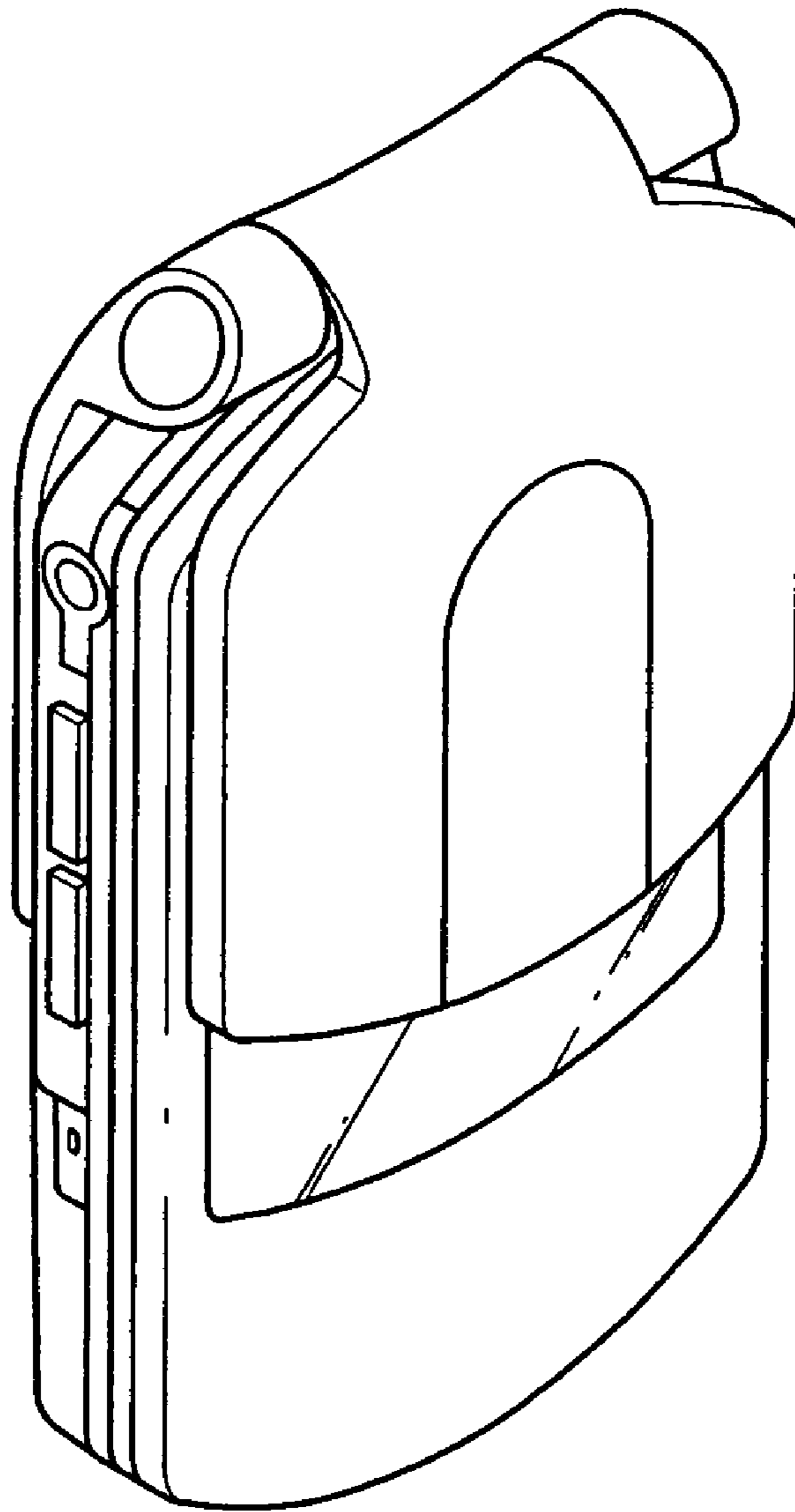


FIG. 2

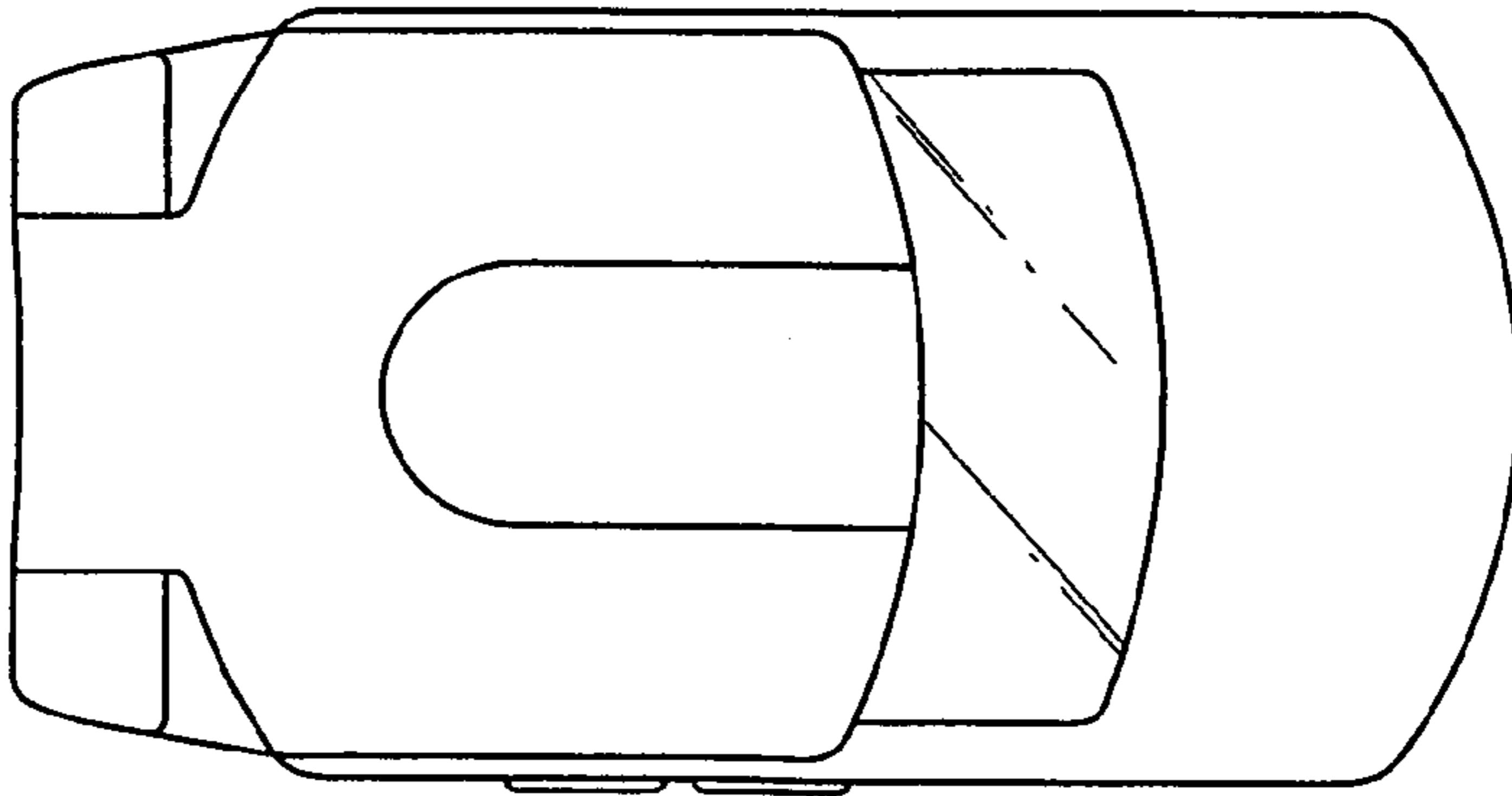


FIG. 3

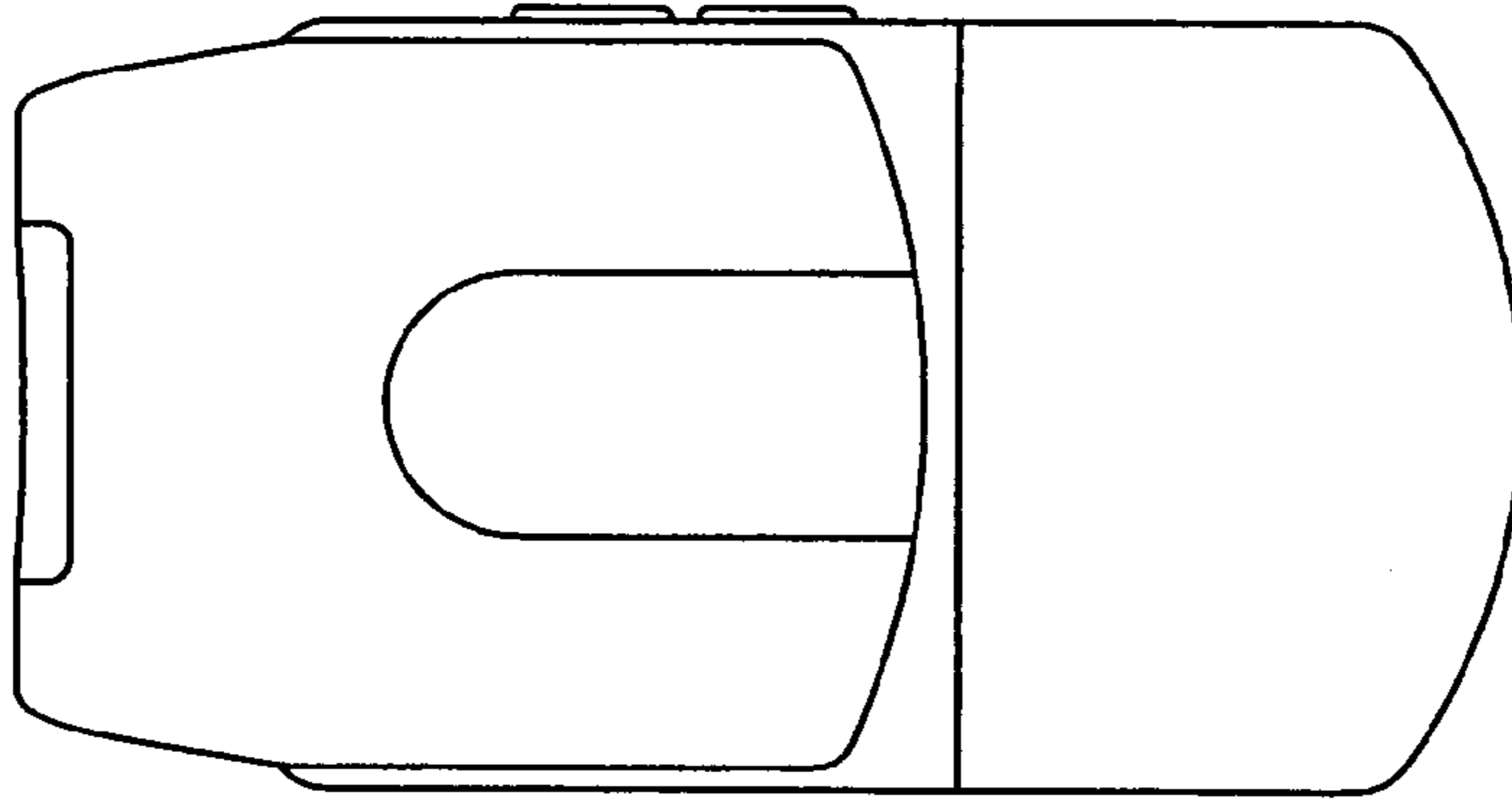


FIG. 4

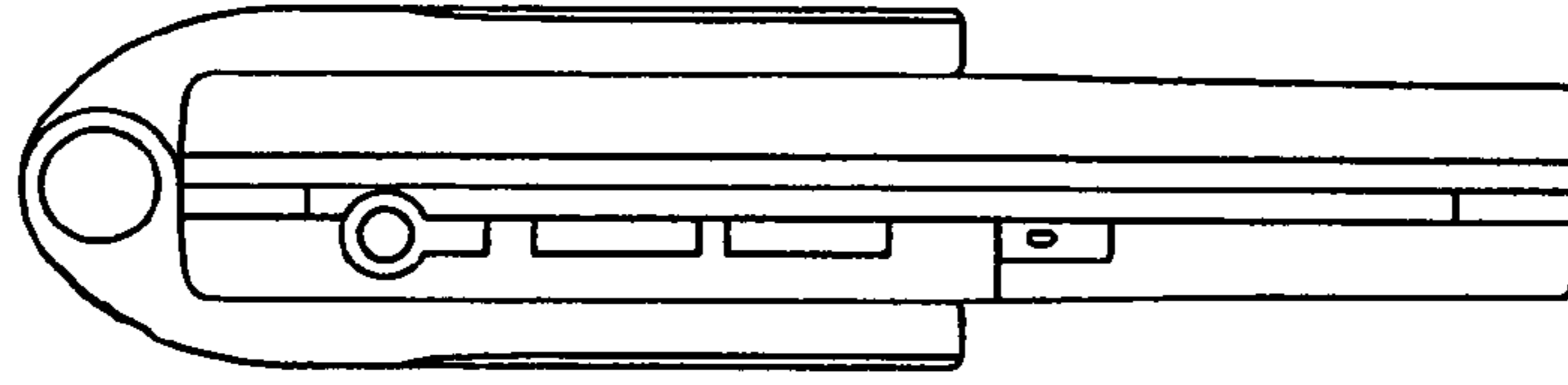


FIG. 5

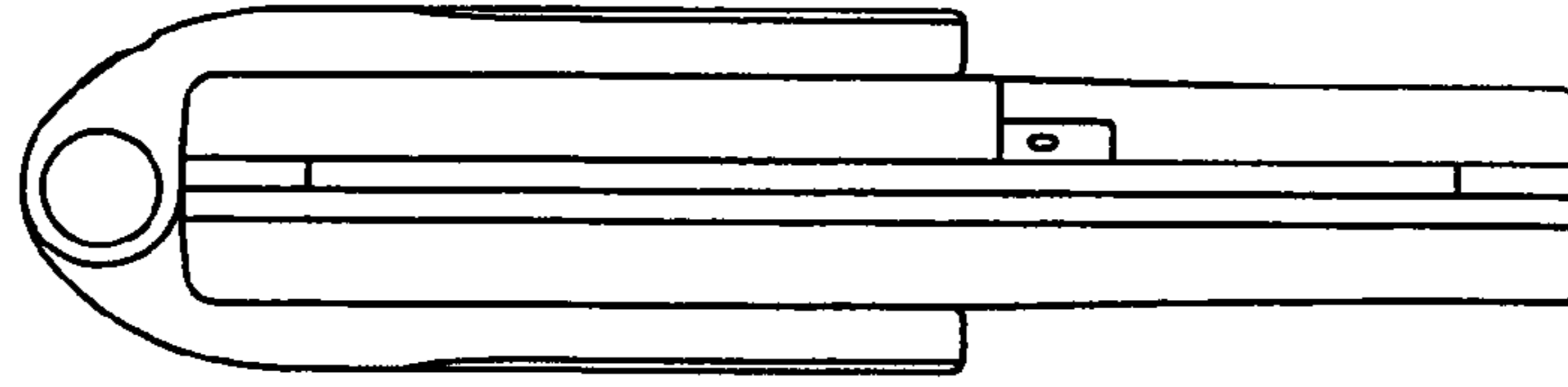


FIG. 6

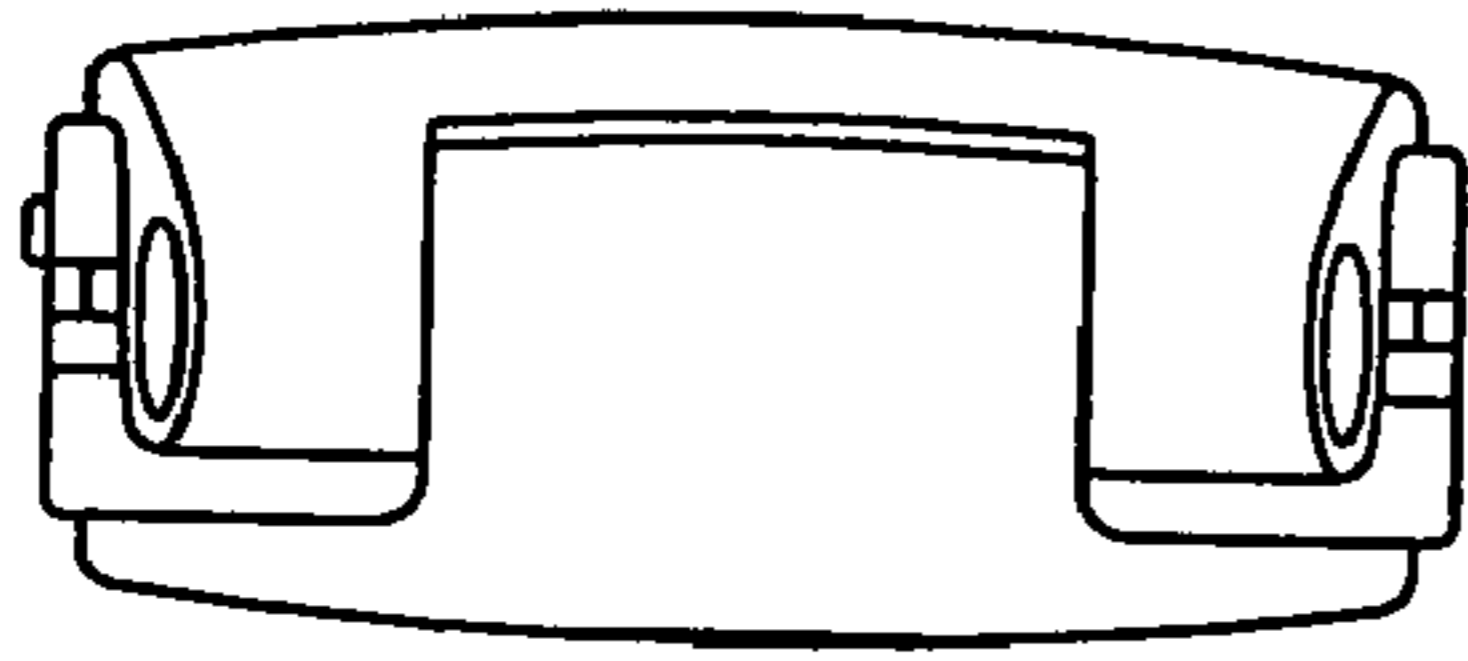


FIG. 7

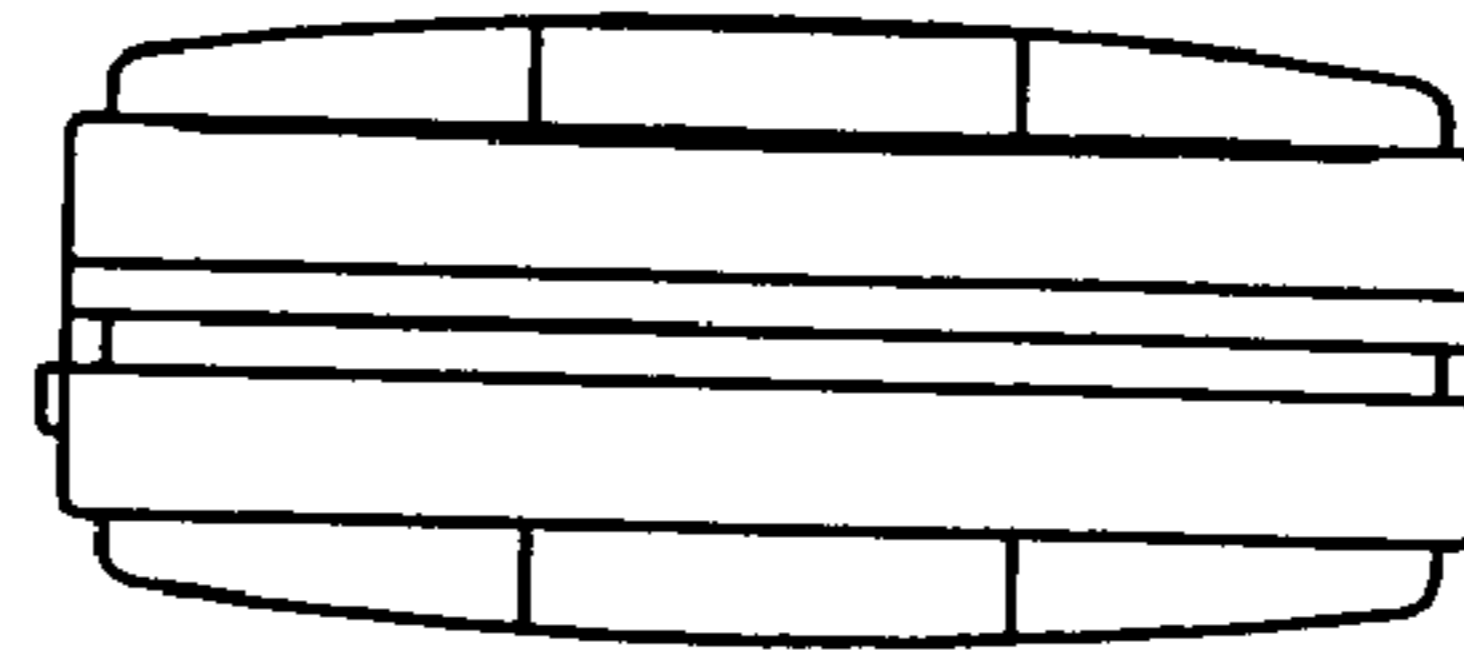


FIG. 8

