



US00D551647S

(12) **United States Design Patent**
Kim et al.

(10) **Patent No.:** **US D551,647 S**

(45) **Date of Patent:** **** Sep. 25, 2007**

(54) **MOBILE PHONE**

(75) Inventors: **Young-Sae Kim**, Los Altos, CA (US);
Chi-Young Ahn, Seoul (KR);
Young-Ju Yeo, Seoul (KR);
Chang-Hwan Hwang, Goyang-si (KR)

(73) Assignee: **Samsung Electronics Co., Ltd.**,
Suwon-Si (KR)

(**) Term: **14 Years**

(21) Appl. No.: **29/243,678**

(22) Filed: **Nov. 30, 2005**

(30) **Foreign Application Priority Data**

Jun. 20, 2005 (KR) 30-2005-0020560

(51) **LOC (8) Cl.** **14-03**

(52) **U.S. Cl.** **D14/138**

(58) **Field of Classification Search** D14/137,
D14/138, 147, 218, 341-347; 455/90.3,
455/556.1, 556.2, 575.1, 575.3, 575.4; 379/433.01-433.13;
361/814; 348/14.02
See application file for complete search history.

(56) **References Cited**

U.S. PATENT DOCUMENTS

D495,695 S *	9/2004	Yugaya	D14/346
D496,645 S *	9/2004	Yoo et al.	D14/138
D498,736 S *	11/2004	Lee	D14/138
7,050,767 B2 *	5/2006	Hickey et al.	455/90.3
D525,609 S *	7/2006	Kim et al.	D14/138
D526,300 S *	8/2006	Lee	D14/138
D526,301 S *	8/2006	Shin	D14/138
D526,302 S *	8/2006	Kim	D14/138
D527,366 S *	8/2006	Lee	D14/138
D528,094 S *	9/2006	Hwang	D14/138
D528,096 S *	9/2006	Park	D14/138
D528,526 S *	9/2006	Shin	D14/138
D529,474 S *	10/2006	Park et al.	D14/138

D531,608 S *	11/2006	Kim et al.	D14/138
D531,610 S *	11/2006	Kim et al.	D14/138
D534,890 S *	1/2007	Kim	D14/138
D534,892 S *	1/2007	Lee et al.	D14/138
D535,275 S *	1/2007	Kim et al.	D14/138
2005/0090298 A1 *	4/2005	Park et al.	455/575.4
2005/0255897 A1 *	11/2005	Lee et al.	455/575.4
2006/0046796 A1 *	3/2006	Park et al.	455/575.4
2006/0094464 A1 *	5/2006	Kyou et al.	455/556.1
2006/0211460 A1 *	9/2006	Jeong et al.	455/575.4

OTHER PUBLICATIONS

Gigabyte g-Smart i, announced 2005, [online], [retrieved on Feb. 6, 2007]. Retrieved from Internet ,<URL: http://www.gsmarena.com>.*

BenQ-Siemens CL71, announced Mar. 2006, [online], [retrieved on Feb. 6, 2007]. Retrieved from Internet ,<URL: http://www.gsmarena.com>.*

(Continued)

Primary Examiner—Jeffrey Asch

Assistant Examiner—Bridget L. Eland

(74) *Attorney, Agent, or Firm*—Staas & Halsey LLP

(57) **CLAIM**

The ornamental design for the mobile phone, as shown and described.

DESCRIPTION

FIG. 1 is a perspective view of the mobile phone showing our design;

FIG. 2 is a front view thereof;

FIG. 3 is a rear view thereof;

FIG. 4 is a left side view thereof;

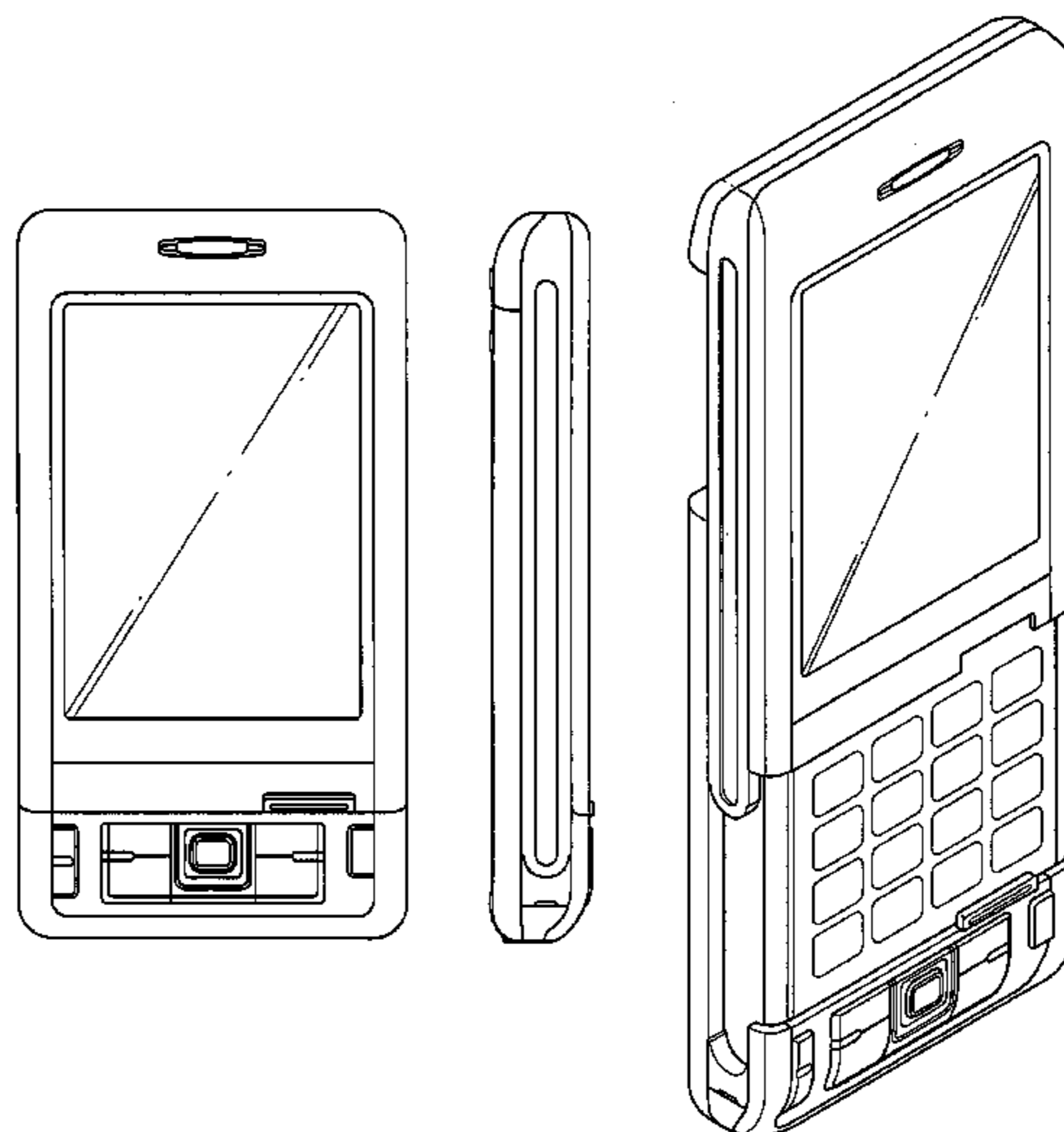
FIG. 5 is a right side view thereof;

FIG. 6 is a top plan view thereof;

FIG. 7 is a bottom plan view thereof; and,

FIG. 8 is a perspective, open view, thereof.

1 Claim, 4 Drawing Sheets



OTHER PUBLICATIONS

Asus P535, announced Nov. 2006, [online], [retrieved on Feb. 6, 2007]. Retrieved from Internet ,<URL: <http://www.gsmarena.com>>.*

Samsung P930, announced Dec. 2006, [online], [retrieved on Feb. 8, 2007]. Retrieved from Internet ,<URL: <http://www.gsmarena.com>>.*

* cited by examiner

FIG. 1

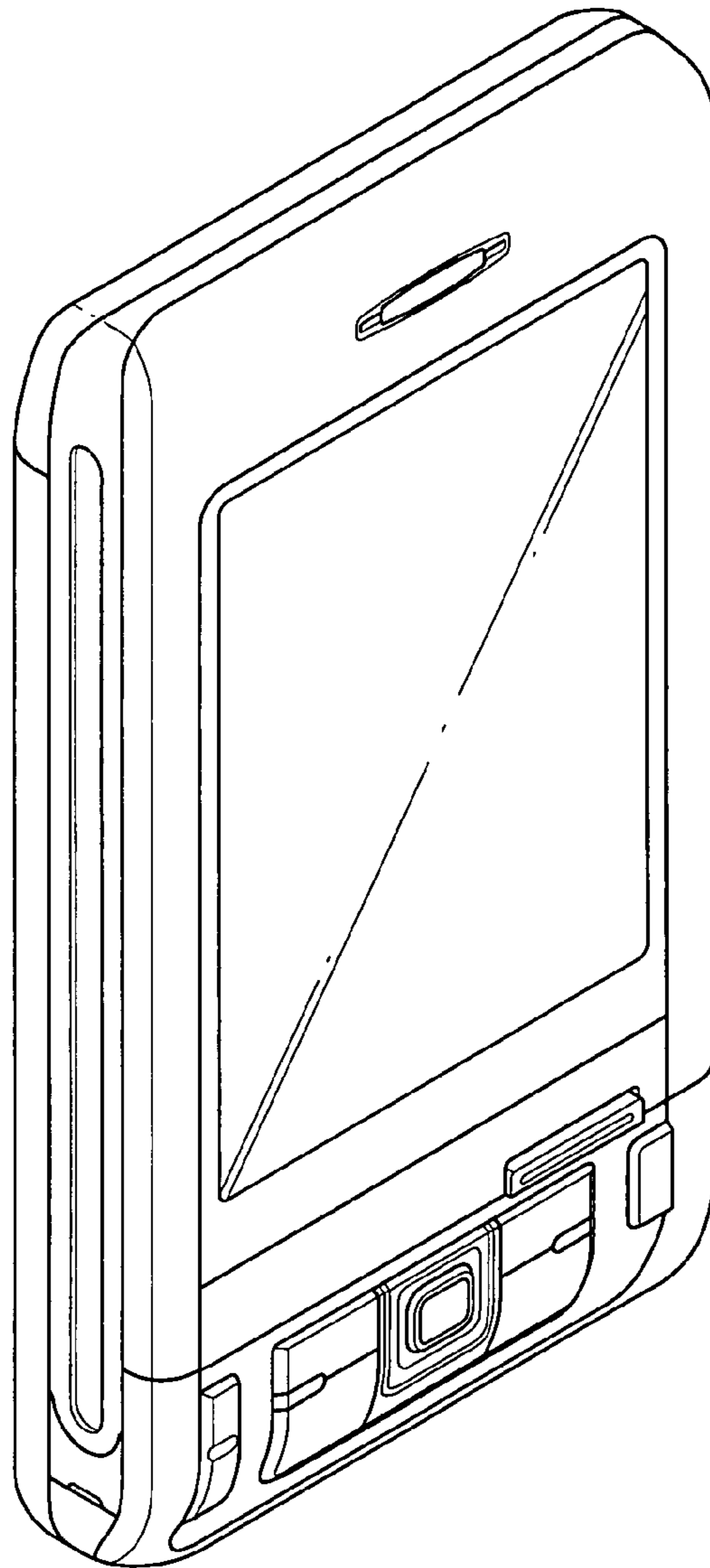


FIG. 2

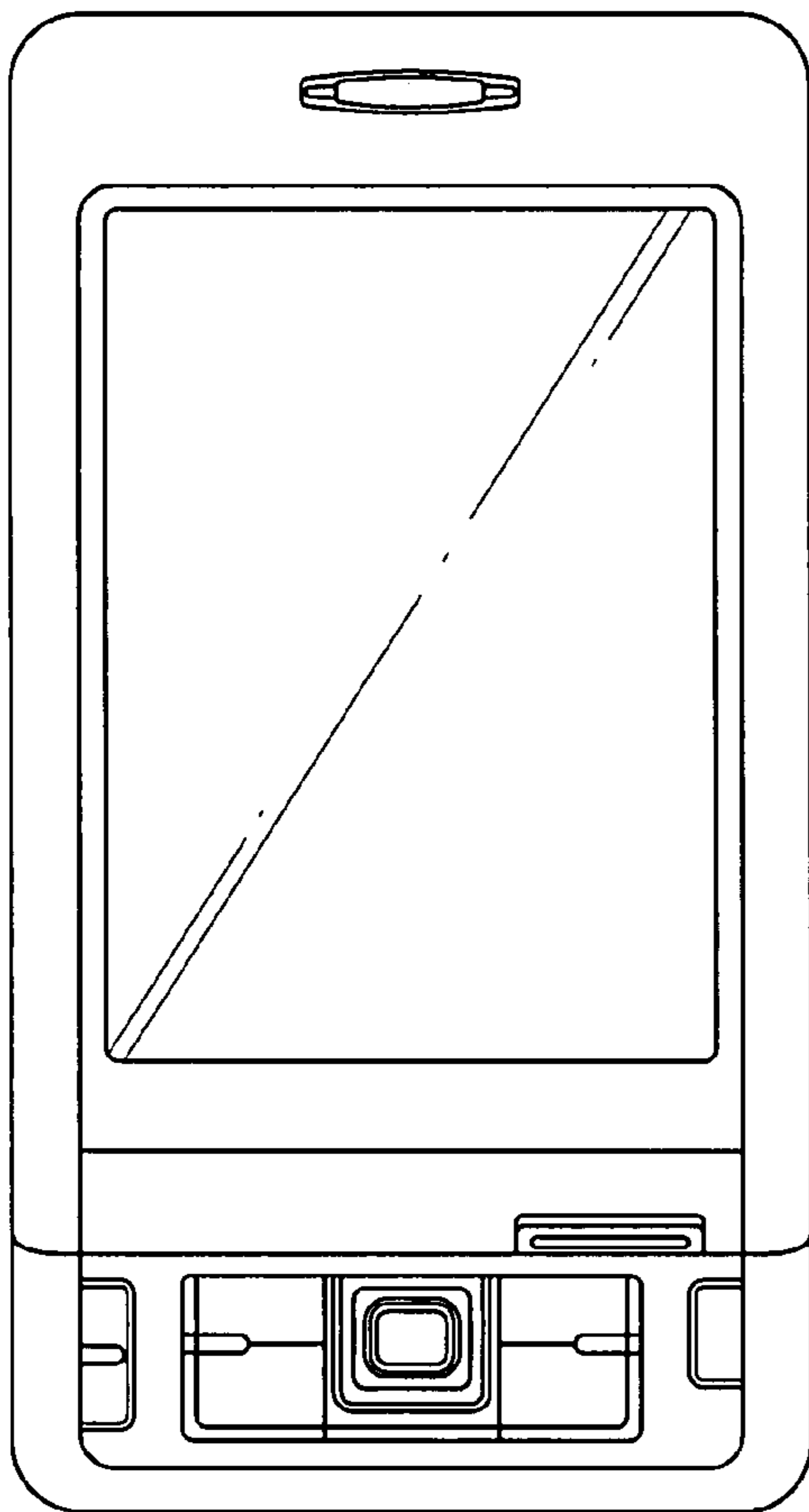


FIG. 3

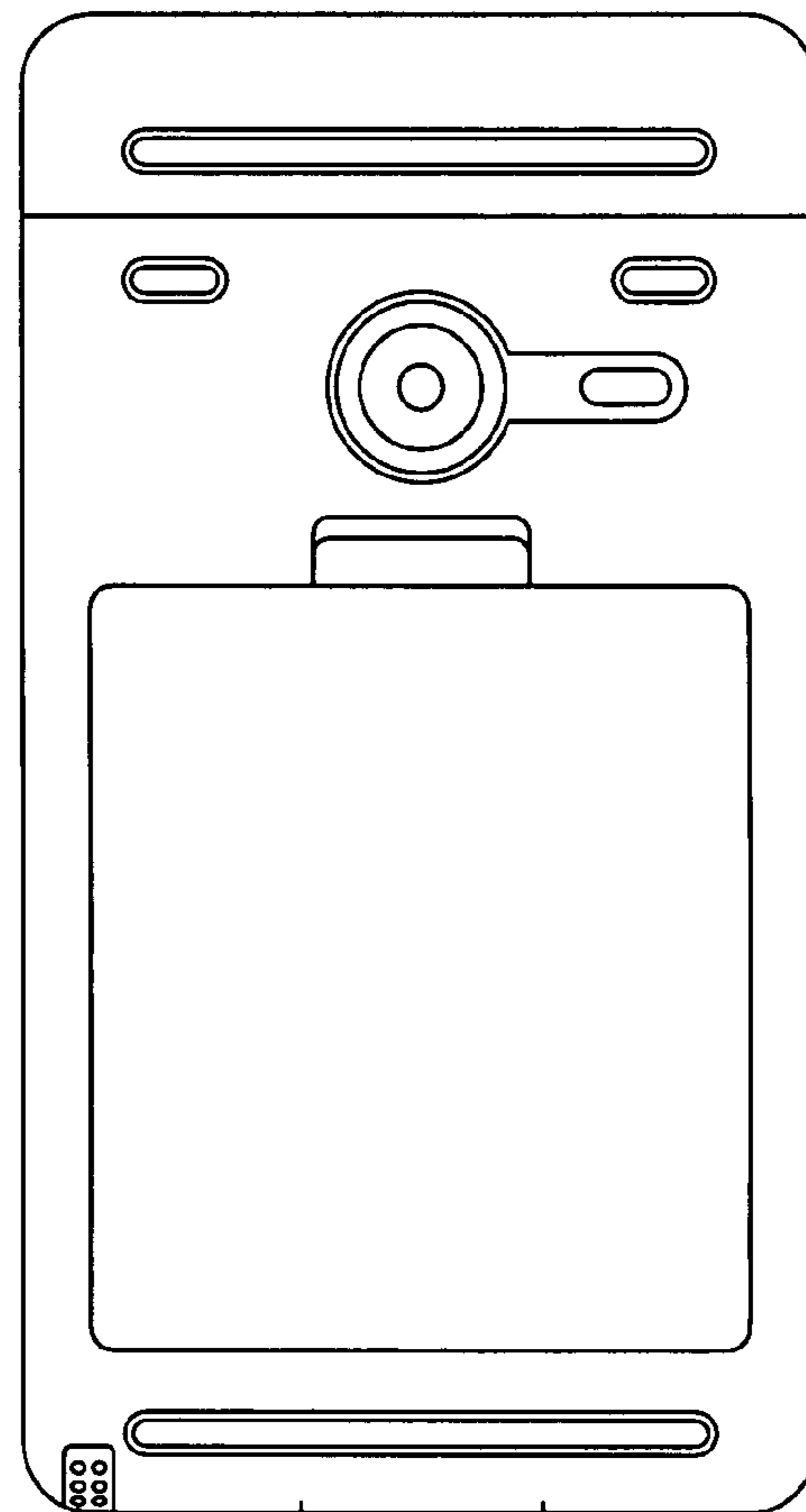


FIG. 4

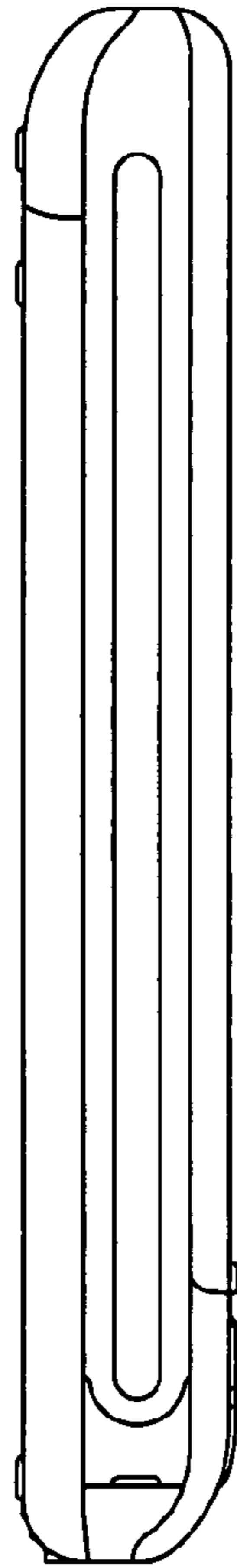


FIG. 5

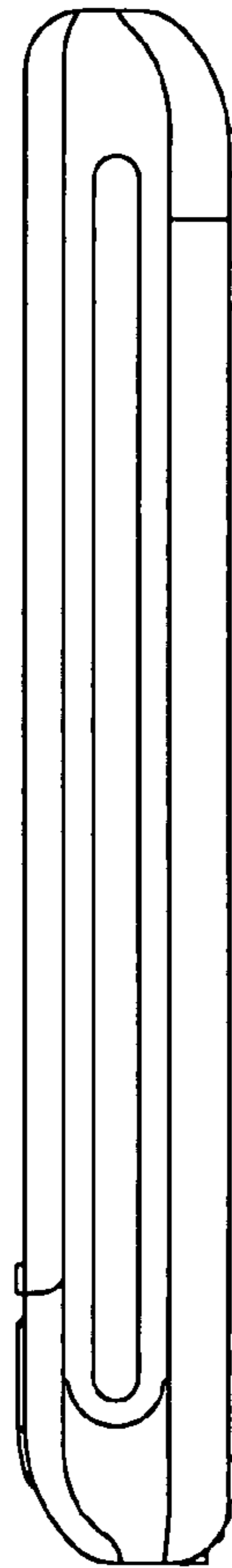


FIG. 6

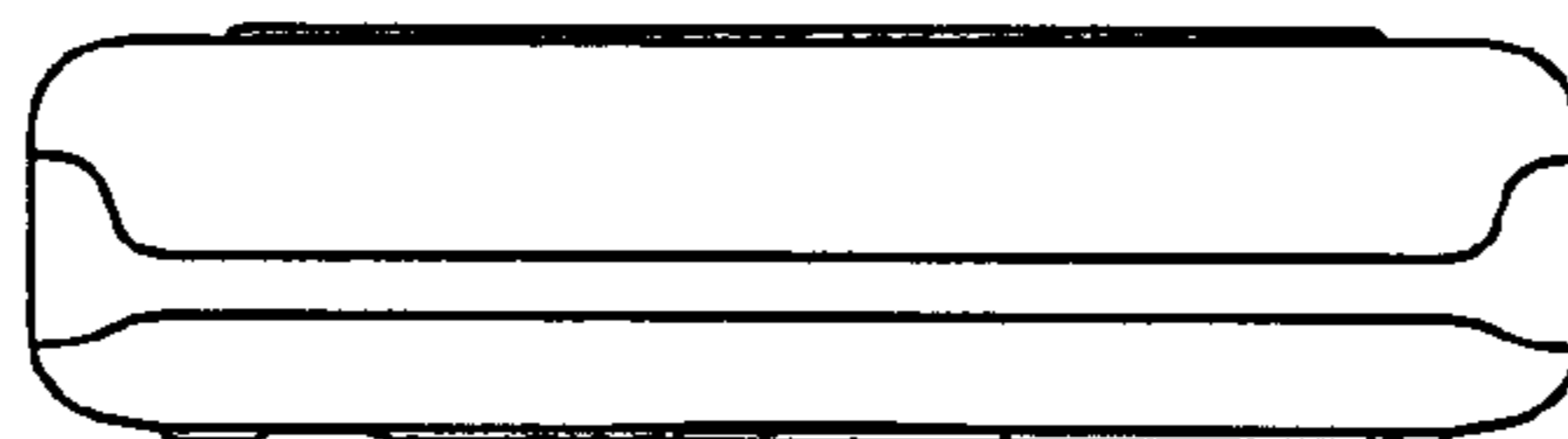


FIG. 7

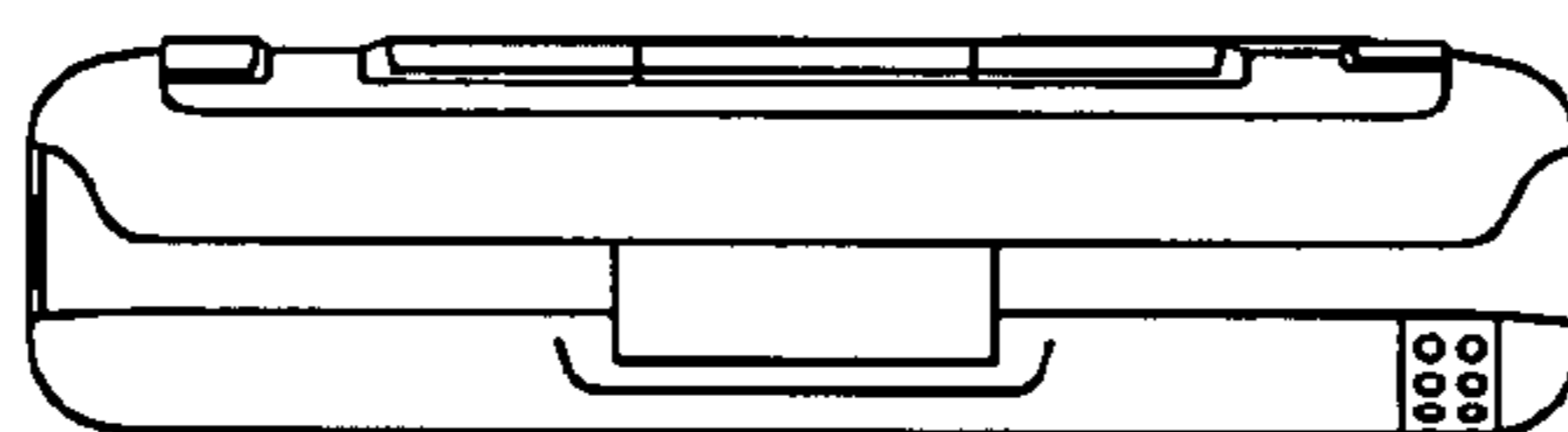


FIG. 8

