



US00D551644S

(12) **United States Design Patent**  
**Kim et al.**

(10) **Patent No.:** **US D551,644 S**  
(45) **Date of Patent:** **\*\* Sep. 25, 2007**

(54) **MOBILE PHONE**

(75) Inventors: **Young-Sae Kim**, Los Altos, CA (US);  
**Chi-Young Ahn**, Seoul (KR);  
**Young-Ju Yeo**, Seoul (KR);  
**Chang-Hwan Hwang**, Goyang-si (KR)

(73) Assignee: **Samsung Electronics Co., Ltd.**,  
Suwon-Si (KR)

(\*\*) Term: **14 Years**

(21) Appl. No.: **29/243,601**

(22) Filed: **Nov. 29, 2005**

(30) **Foreign Application Priority Data**

Jun. 27, 2005 (KR) ..... 30-2005-0021401

(51) **LOC (8) Cl.** ..... **14-03**

(52) **U.S. Cl.** ..... **D14/138**

(58) **Field of Classification Search** ..... D14/138,  
D14/341-347, 147-148, 496; 379/433.01-433.13;  
455/575.3, 575.4, 566, 575.1, 556.1, 556.2,  
455/90.3

See application file for complete search history.

(56) **References Cited**

**U.S. PATENT DOCUMENTS**

D419,155 S *	1/2000	Nagele et al. ....	D14/138
6,628,508 B2 *	9/2003	Lieu et al. ....	361/680
D487,066 S *	2/2004	Gartrell et al. ....	D14/138
D487,443 S *	3/2004	Yoon .....	D14/138
D496,014 S *	9/2004	Lodato et al. ....	D14/138
D506,191 S *	6/2005	Majanen .....	D14/138
D507,252 S *	7/2005	Kim et al. ....	D14/138
D507,551 S *	7/2005	Kim et al. ....	D14/138
D508,685 S *	8/2005	Kim et al. ....	D14/138
D511,336 S *	11/2005	Kim et al. ....	D14/138
D512,040 S *	11/2005	Kim et al. ....	D14/138
D512,396 S *	12/2005	Kim et al. ....	D14/138
D518,467 S *	4/2006	Kim et al. ....	D14/138

D518,812 S *	4/2006	Kim et al. ....	D14/138
7,054,146 B2 *	5/2006	Sutton et al. ....	361/680
7,099,708 B2 *	8/2006	Ronkko .....	455/575.1
D536,325 S *	2/2007	Kim et al. ....	D14/138
D537,061 S *	2/2007	Oh .....	D14/138
D537,426 S *	2/2007	Arbisi .....	D14/138

(Continued)

**FOREIGN PATENT DOCUMENTS**

JP DM/067361 \* 9/2005

**OTHER PUBLICATIONS**

LG KU730 telephone, announced Feb. 2006, [online], [retrieved on Mar. 16, 2007]. Retrieved from Internet , <URL: <http://www.gsmarena.com>>.\*

Haier N60 telephone, announced 1st quarter 2005, [online], [retrieved on Mar. 29, 2007]. Retrieved from Internet , <URL: <http://www.gsmarena.com>>.\*

*Primary Examiner*—Jeffrey Asch

(74) *Attorney, Agent, or Firm*—Staas & Halsey LLP

(57) **CLAIM**

The ornamental design for the mobile phone, as shown and described.

**DESCRIPTION**

FIG. 1 is a perspective view of the mobile phone showing our design;

FIG. 2 is a front view thereof;

FIG. 3 is a rear view thereof;

FIG. 4 is a left side view thereof;

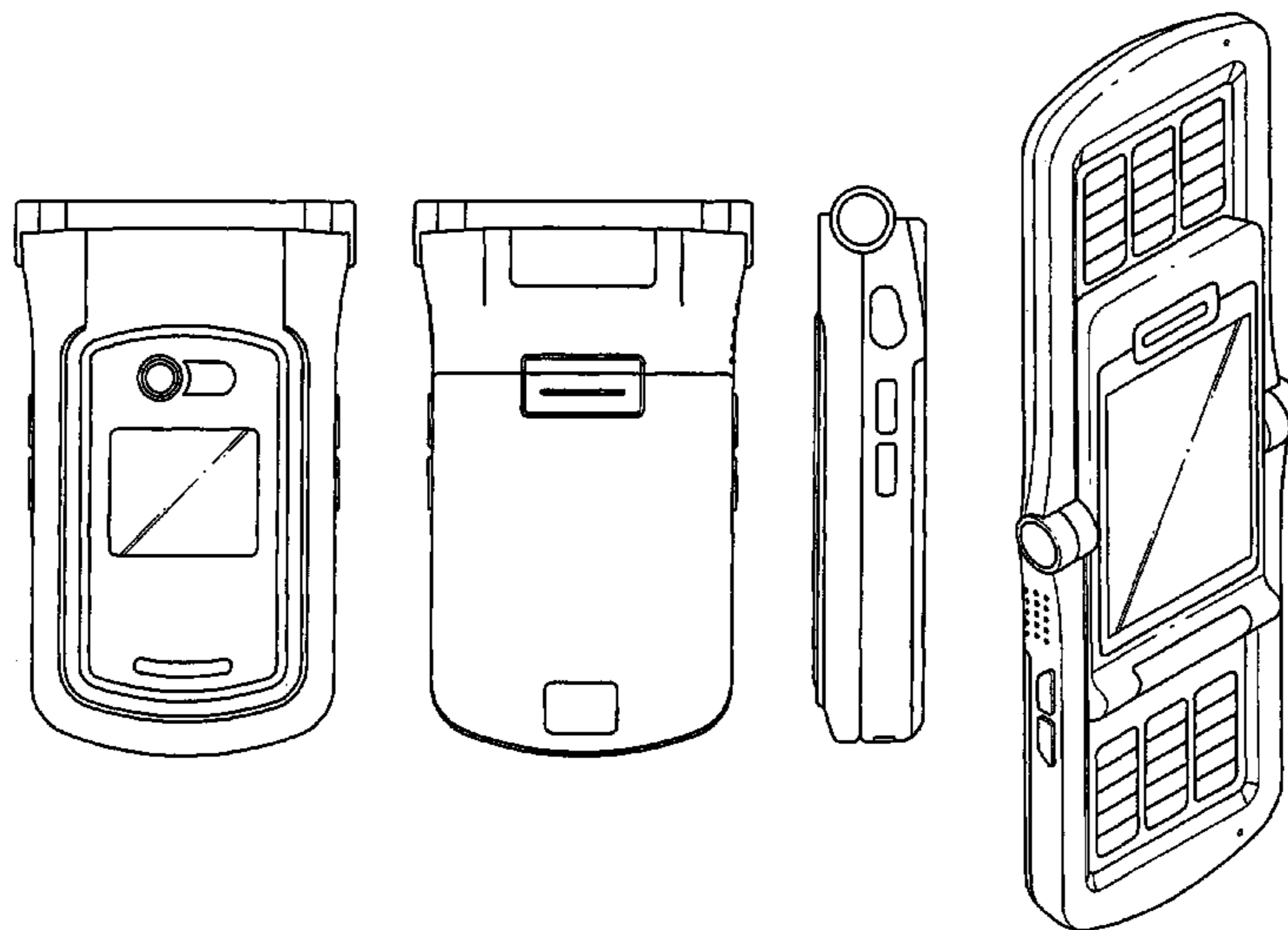
FIG. 5 is a right side view thereof;

FIG. 6 is a top plan view thereof; and

FIG. 7 is a bottom plan view thereof; and,

FIG. 8 is a perspective, open view, thereof.

**1 Claim, 3 Drawing Sheets**



# US D551,644 S

Page 2

---

## U.S. PATENT DOCUMENTS

D537,428 S *	2/2007	Fahlgren .....	D14/138	2005/0003852 A1*	1/2005	Song .....	455/550.1
2002/0006815 A1*	1/2002	Finke-Anlauf .....	455/575	2005/0113156 A1*	5/2005	Park et al. ....	455/575.4
2003/0073414 A1*	4/2003	Capps .....	455/90	2006/0105824 A1*	5/2006	Kim et al. ....	455/575.8
2004/0106429 A1*	6/2004	Park et al. ....	455/550.1	2006/0142053 A1*	6/2006	Garcia et al. ....	455/556.1
2004/0185920 A1*	9/2004	Choi et al. ....	455/575.1	2006/0223595 A1*	10/2006	Kim .....	455/575.3
2004/0203535 A1*	10/2004	Kim et al. ....	455/90.3	2007/0032260 A1*	2/2007	Kim .....	455/550.1

\* cited by examiner

# FIG. 1

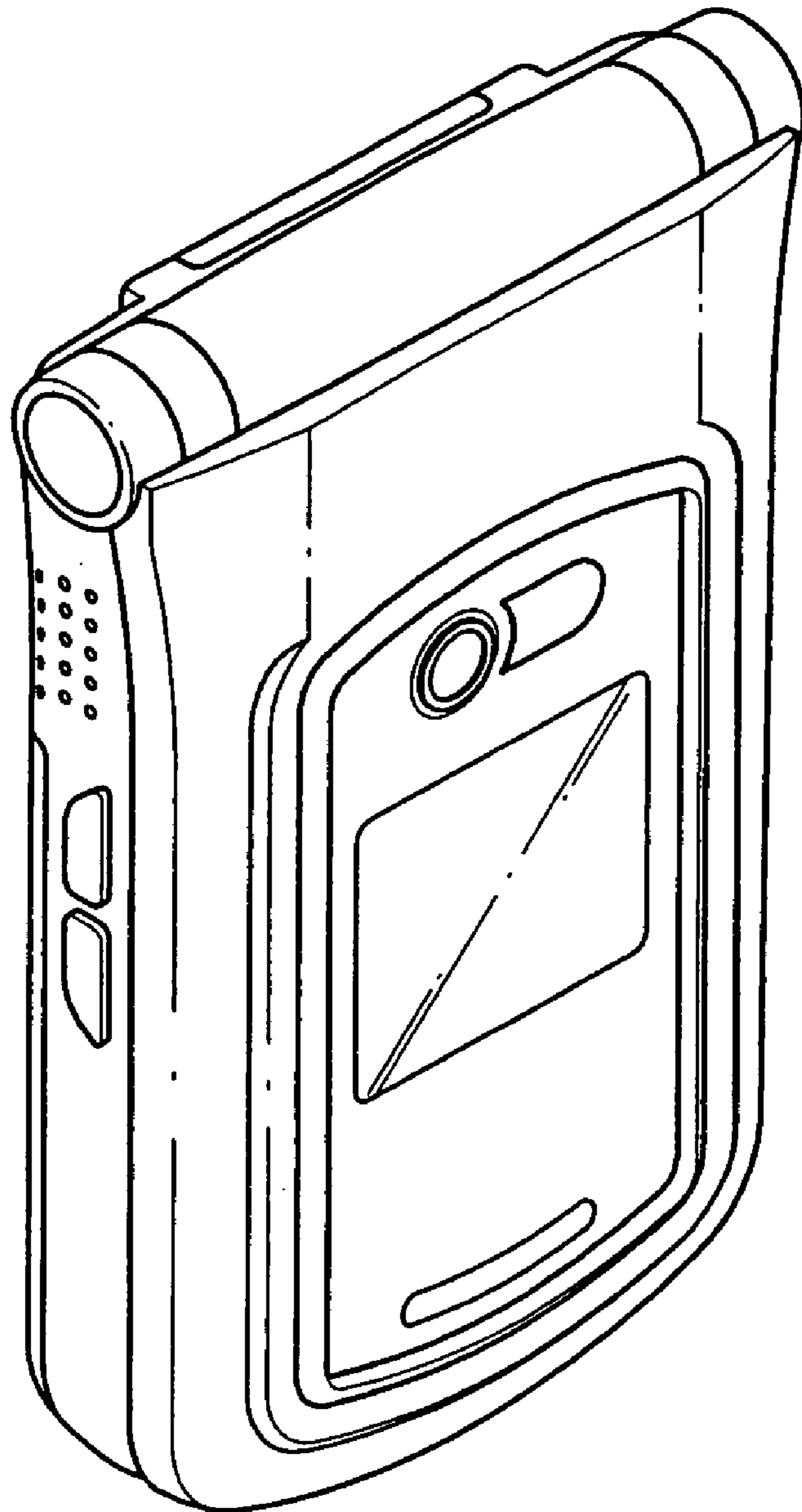


FIG. 2

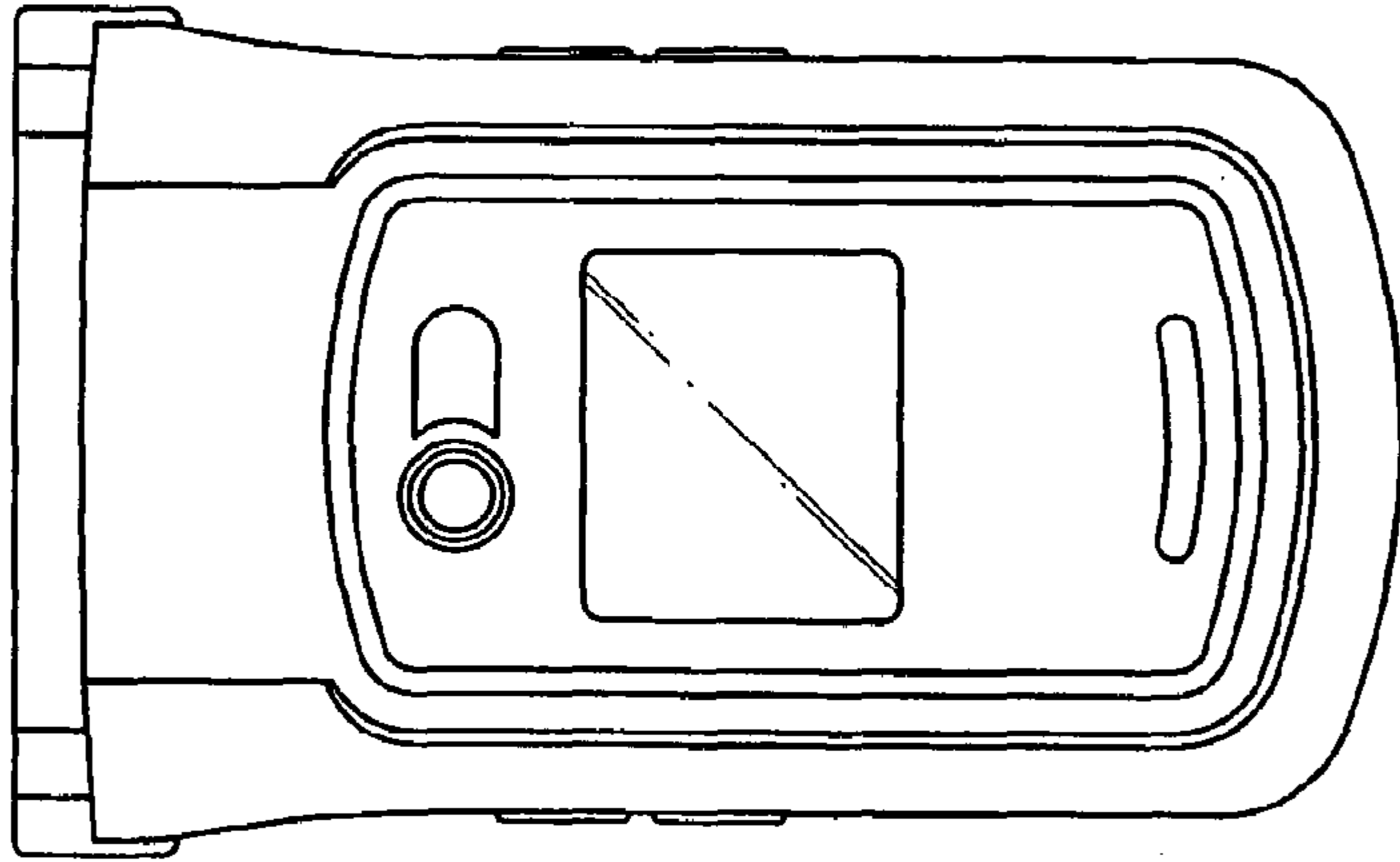


FIG. 3

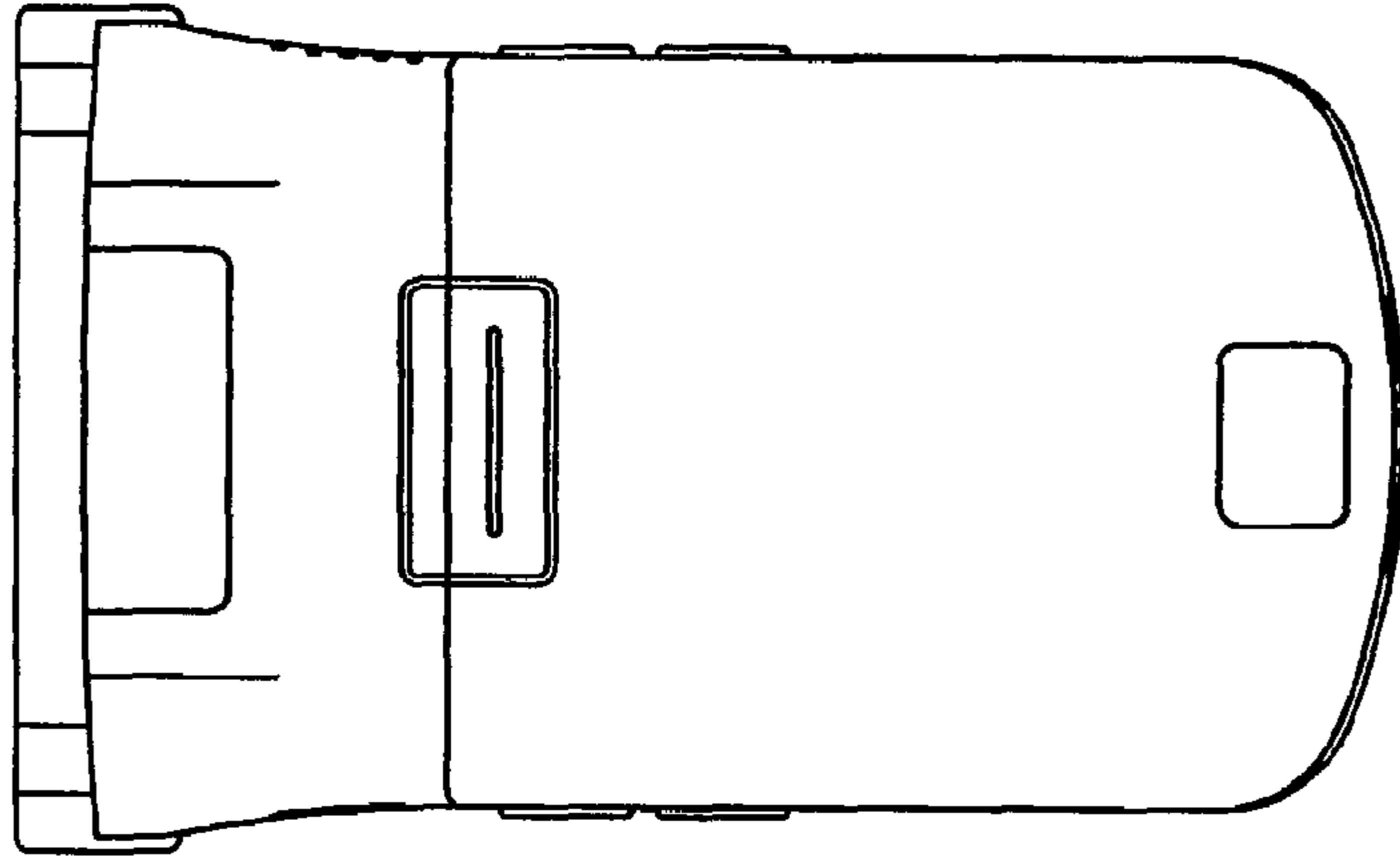


FIG. 4

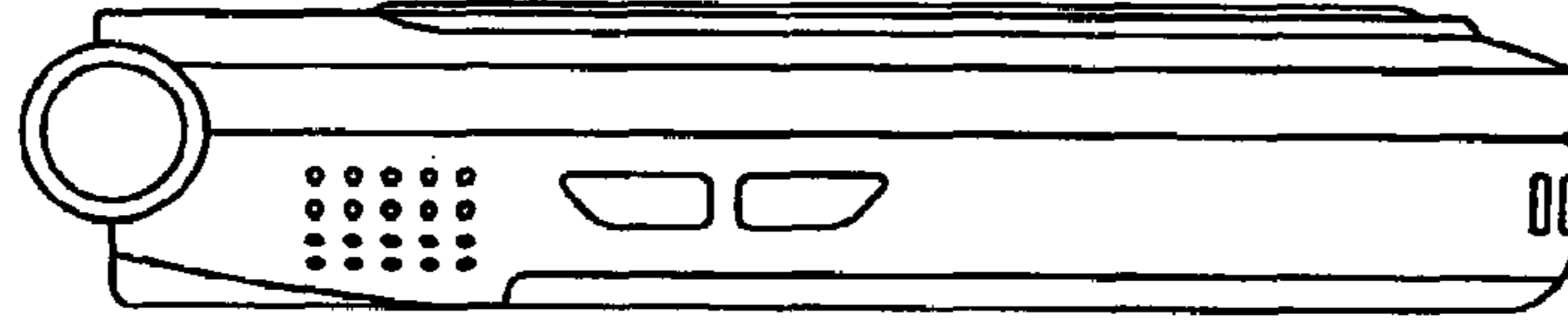


FIG. 5

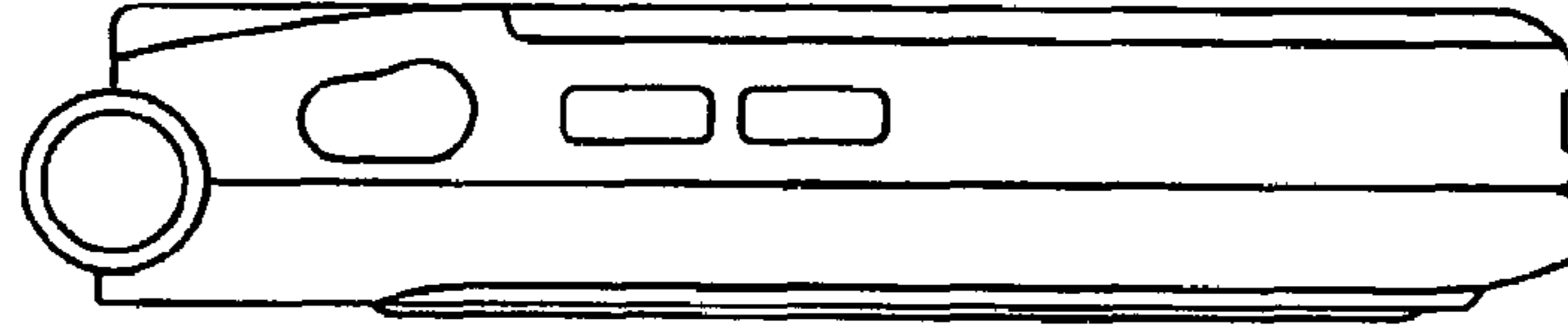


FIG. 6

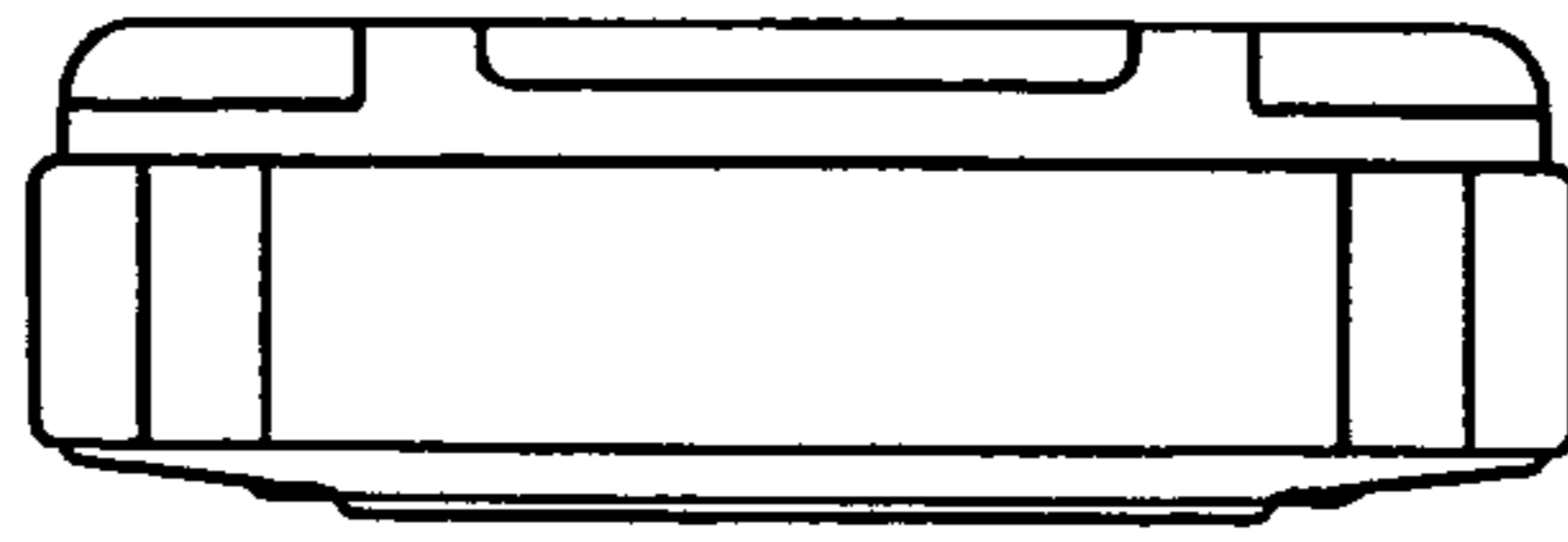


FIG. 7

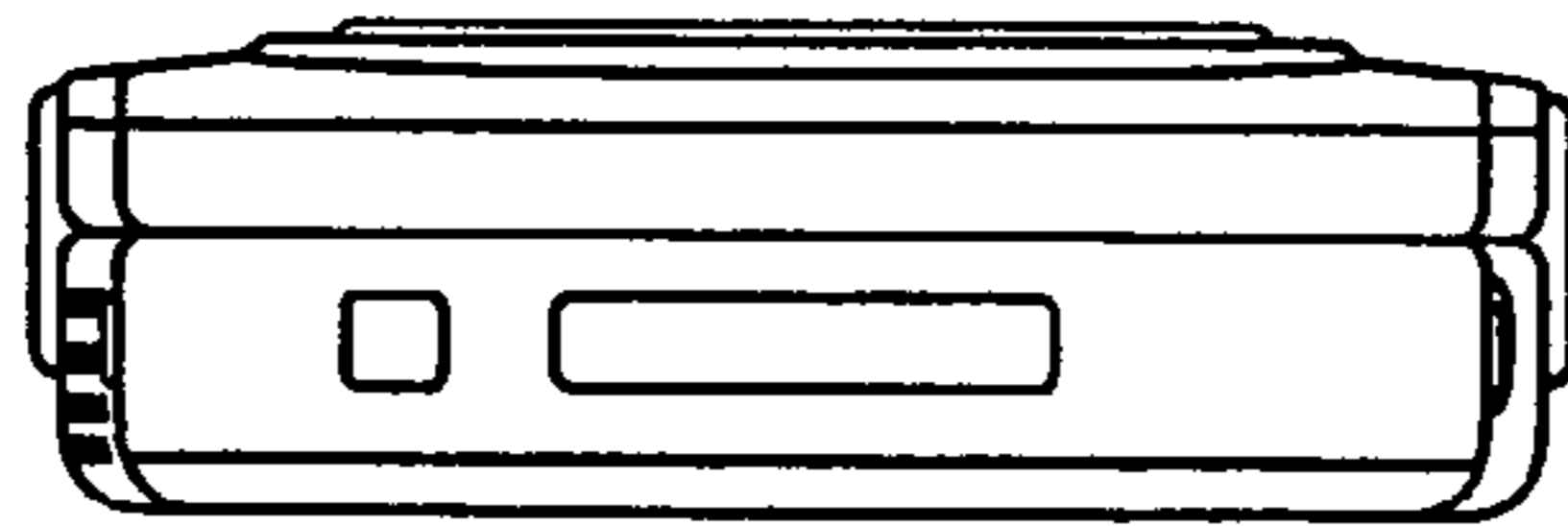


FIG. 8

