



US00D551637S

(12) **United States Design Patent**  
**Hussaini et al.**

(10) **Patent No.:** **US D551,637 S**

(45) **Date of Patent:** **\*\* Sep. 25, 2007**

(54) **AUDIO AND VIDEO ACCESSORY FOR AN ELECTRONIC DEVICE**

(75) Inventors: **Saied Hussaini**, Miami, FL (US); **Marc Iacovelli**, Miami, FL (US)

(73) Assignee: **Intec, Inc.**, Miami, FL (US)

(\*\*) Term: **14 Years**

(21) Appl. No.: **29/234,142**

(22) Filed: **Jul. 14, 2005**

(51) **LOC (8) Cl.** ..... **14-03**

(52) **U.S. Cl.** ..... **D14/129; D14/132**

(58) **Field of Classification Search** ..... D14/125-134, D14/239, 371, 136, 374-377; 312/7.2; 348/836, 348/838, 180, 184, 325, 739; 341/12; 248/917-924, 248/465; 345/104, 133, 156, 168, 87, 173; 720/605, 669, 600, 655; 369/99, 197; 455/344-347  
See application file for complete search history.

(56) **References Cited**

**U.S. PATENT DOCUMENTS**

D458,926 S *	6/2002	Goto	.....	D14/371
D459,350 S *	6/2002	Goto	.....	D14/371
D460,967 S *	7/2002	Peng et al.	.....	D14/375
D497,886 S *	11/2004	Hussaini et al.	.....	D14/126
D500,479 S *	1/2005	Senda et al.	.....	D14/130
D534,511 S *	1/2007	Maeda et al.	.....	D14/129
D537,049 S *	2/2007	Peng	.....	D14/126

\* cited by examiner

*Primary Examiner*—Raphael Barkai  
(74) *Attorney, Agent, or Firm*—Berenato, White & Stavish

(57) **CLAIM**

The ornamental design for an audio and video accessory for an electronic device, as shown and described.

**DESCRIPTION**

FIG. 1 is a elevational perspective view of the audio and video accessory for an electronic device according to the present invention.

FIG. 2 is a front view of the audio and video accessory for an electronic device according to the present invention.

FIG. 3 is a rear view of the audio and video accessory for an electronic device of FIG. 1.

FIG. 4 is a right side view of the audio and video accessory for an electronic device of FIG. 1.

FIG. 5 is a left side view of the audio and video accessory for an electronic device of FIG. 1.

FIG. 6 is a top view of the audio and video accessory for an electronic device of FIG. 1.

FIG. 7 is a bottom view of the audio and video accessory for an electronic device of FIG. 1; and,

FIG. 8 is the side view of FIG. 4 in an alternate position.

The broken lines shown in FIGS. 1 and 2 are for illustrative purposes only and form no part of the claimed design.

**1 Claim, 6 Drawing Sheets**

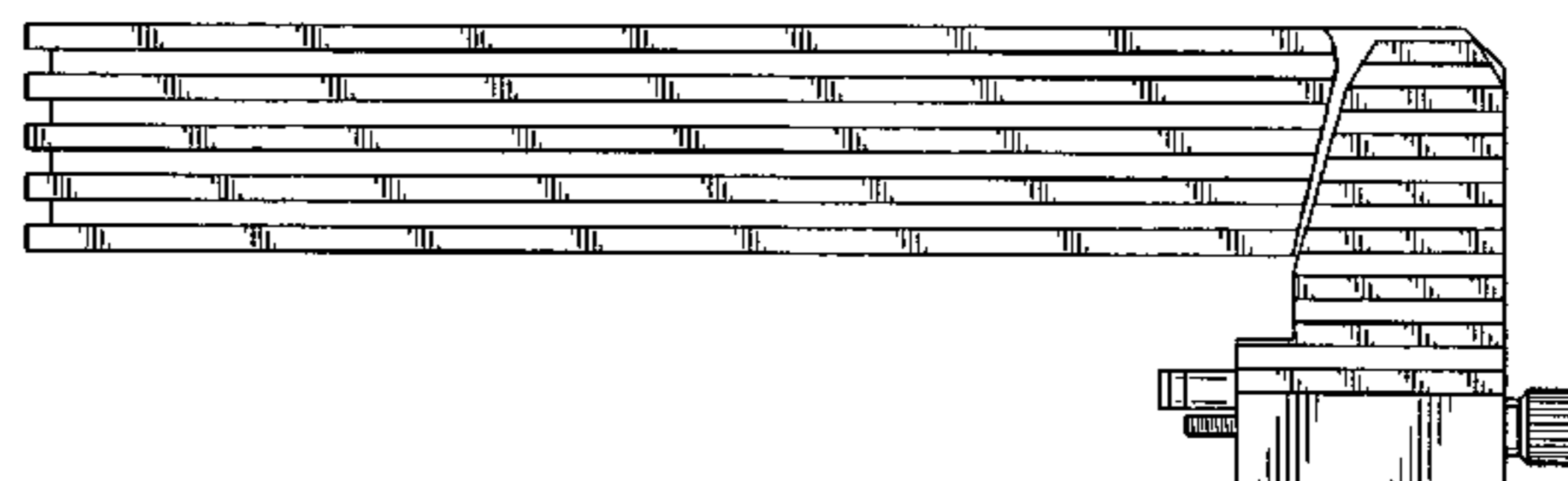
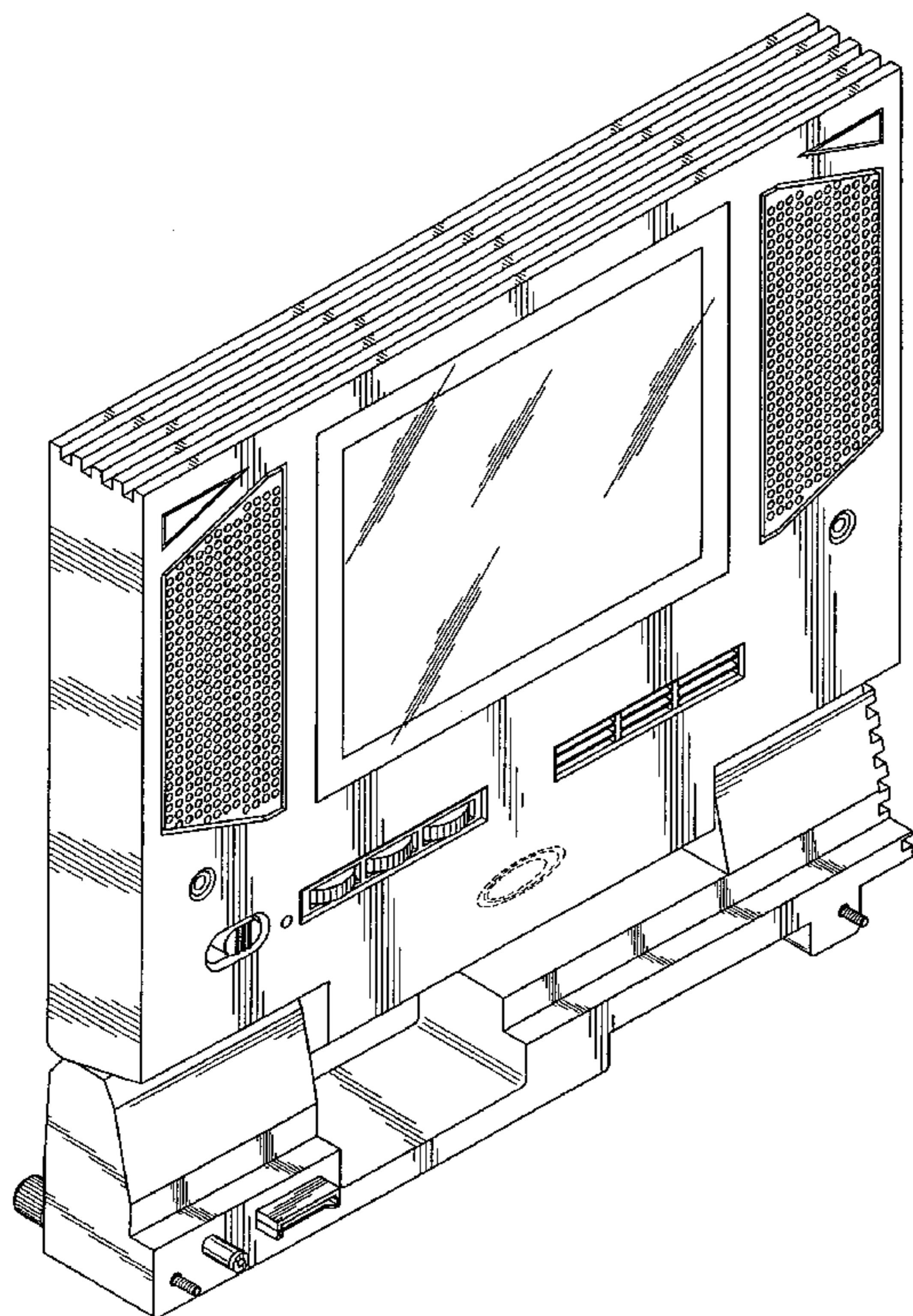
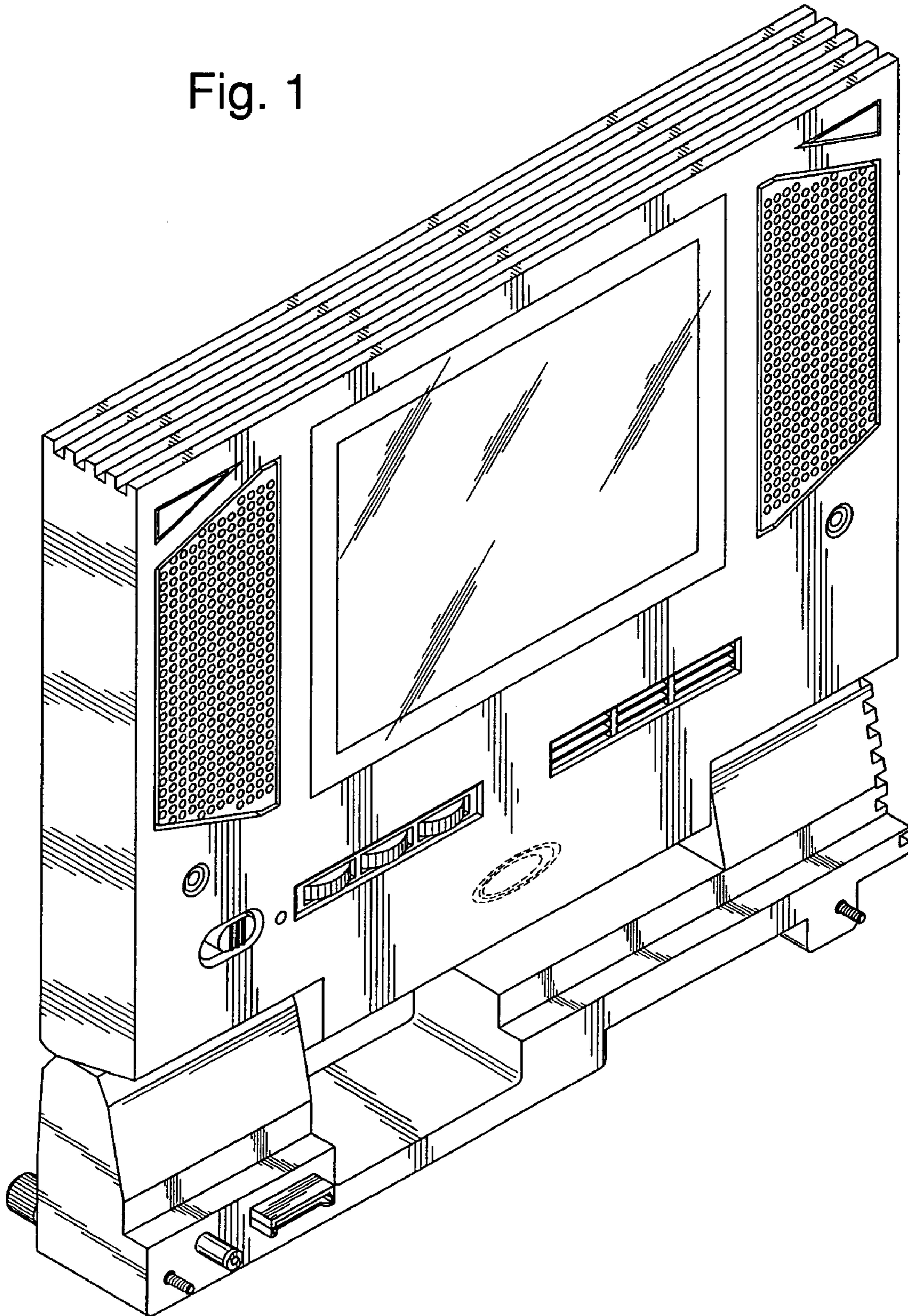


Fig. 1



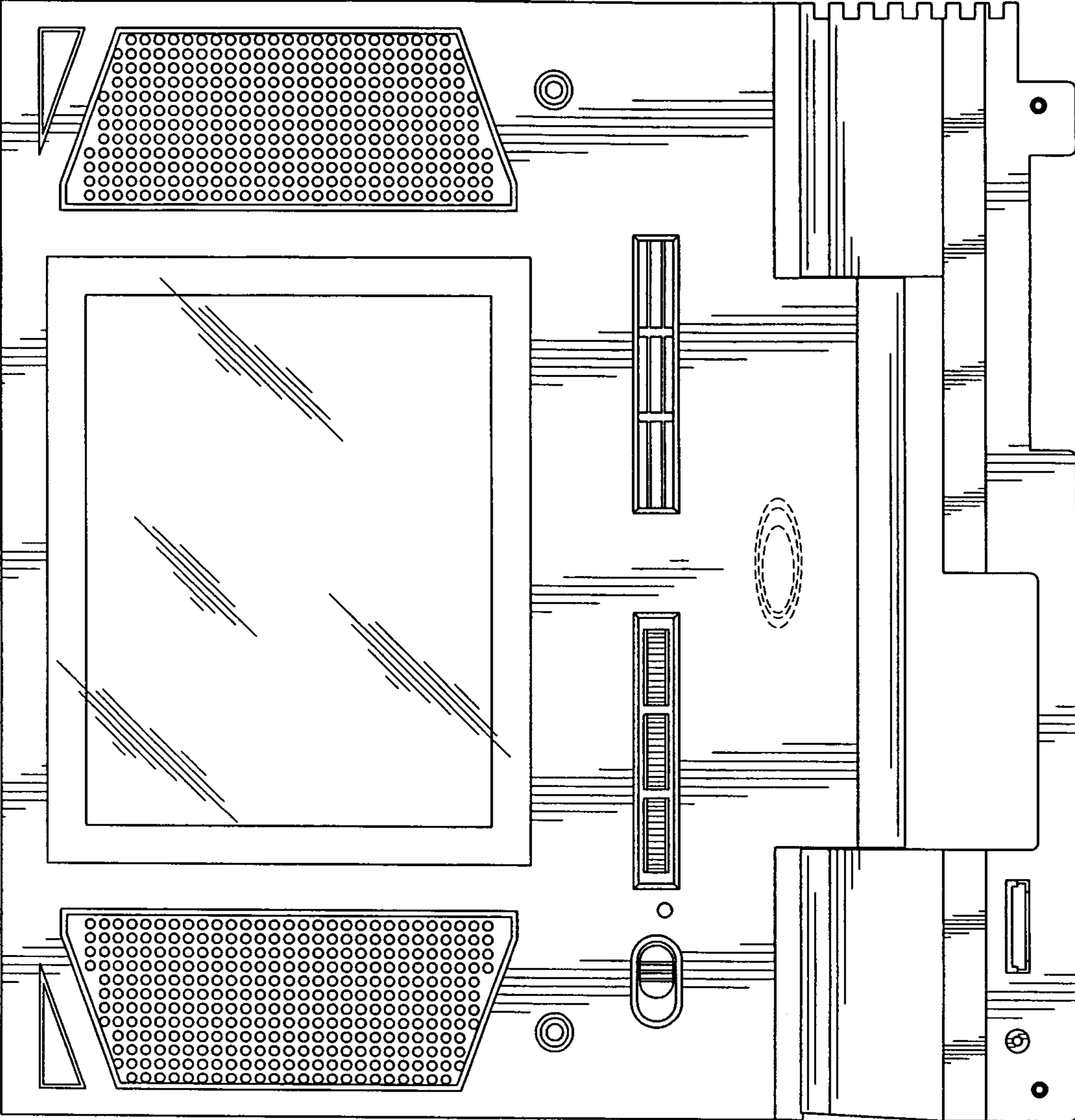


Fig. 2

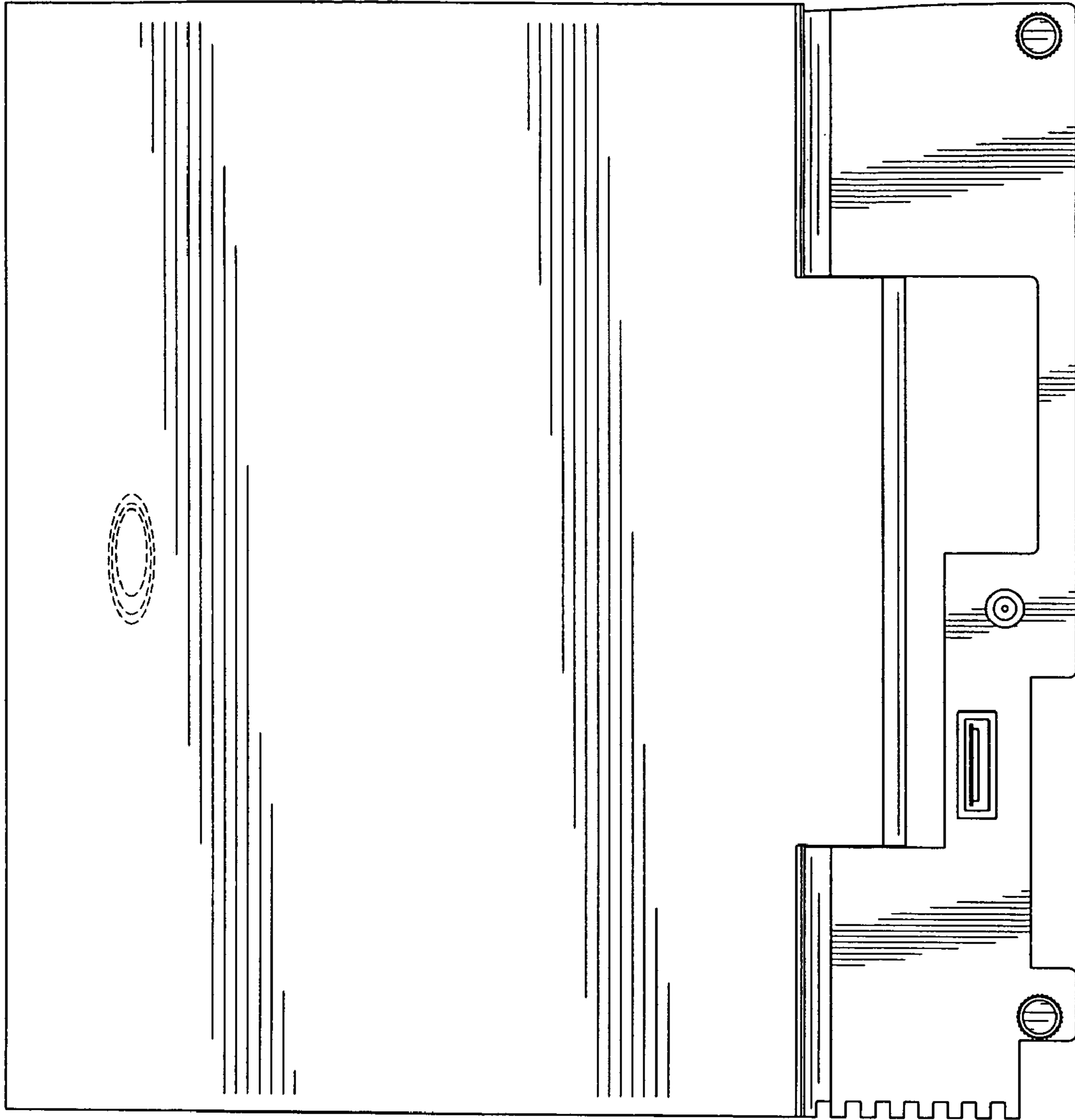


Fig. 3

Fig. 4

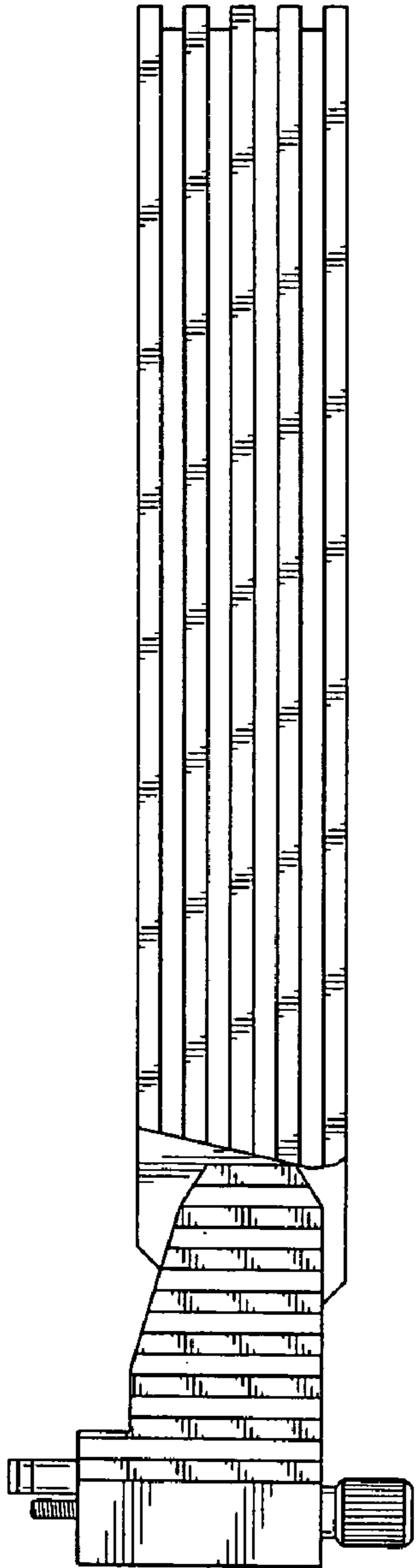
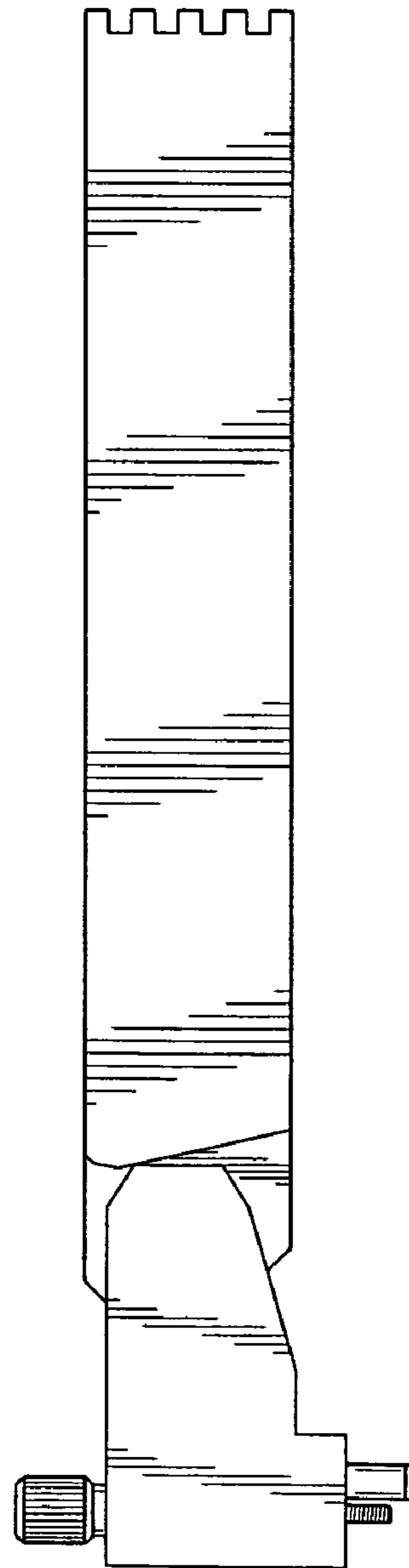


Fig. 5



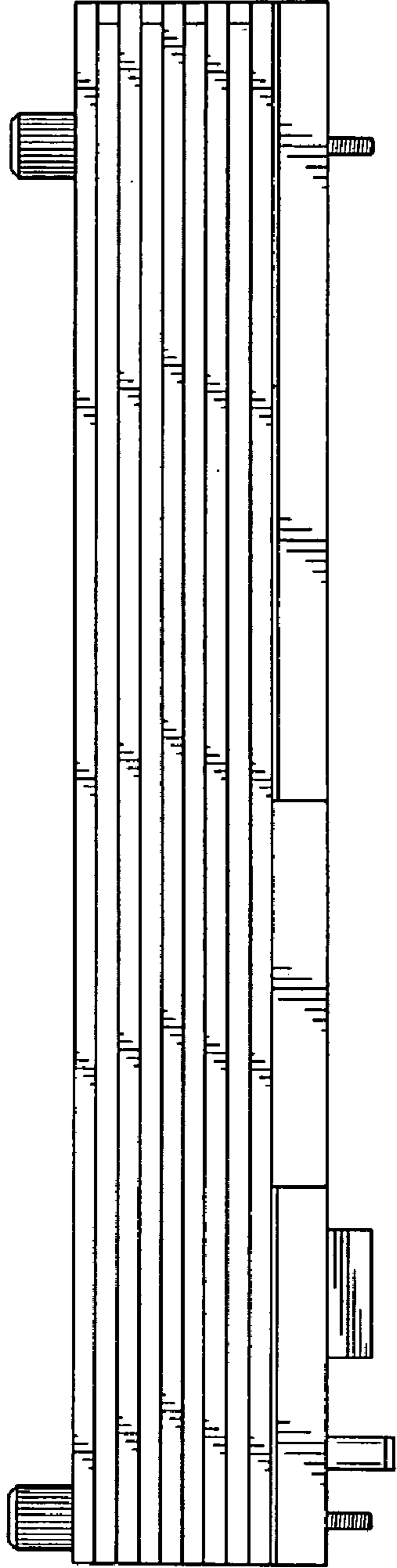


Fig. 6

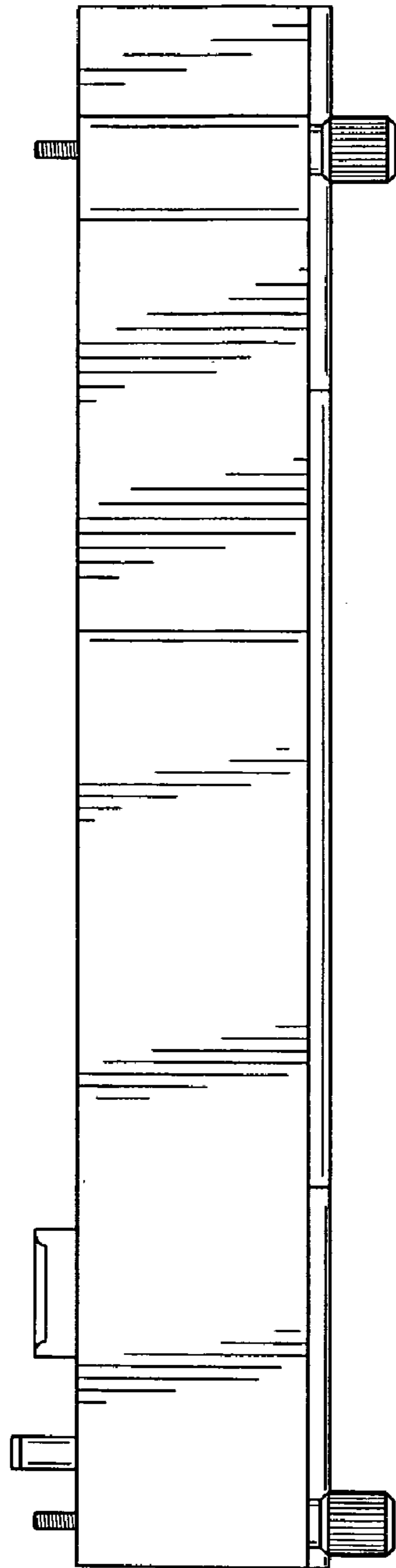


Fig. 7

Fig. 8

