



US00D551636S

(12) **United States Design Patent** (10) **Patent No.:** **US D551,636 S**
Kang et al. (45) **Date of Patent:** **** Sep. 25, 2007**

(54) **PROJECTION TELEVISION**

(75) Inventors: **Yun-Je Kang**, Seoul (KR); **Dong-Hee Won**, Seoul (KR)

(73) Assignee: **Samsung Electronics Co., Ltd.**, Kyunggi-do (KR)

(**) Term: **14 Years**

(21) Appl. No.: **29/236,043**

(22) Filed: **Aug. 10, 2005**

(51) **LOC (8) Cl.** **14-03**

(52) **U.S. Cl.** **D14/128**

(58) **Field of Classification Search** D14/125–134, D14/239, 371, 136, 374–377; 312/7.2; 348/836, 348/838, 180, 184, 325, 739; 341/12; 248/917–924, 248/465; 345/104, 133, 156, 168, 87, 173; 720/605, 669, 600, 655; 369/99, 197; 455/344–347
See application file for complete search history.

(56) **References Cited**

U.S. PATENT DOCUMENTS

D357,468 S	4/1995	Rodd	
D412,892 S	8/1999	Lee	
6,015,120 A	1/2000	Sweere et al.	
D458,928 S	6/2002	Duan	
D477,320 S	7/2003	Peng et al.	
D489,042 S *	4/2004	Joe et al.	D14/126
D489,370 S	5/2004	Jobs et al.	
D511,753 S *	11/2005	Joe et al.	D14/128
D512,032 S *	11/2005	Joe et al.	D14/128
D512,388 S *	12/2005	Hayakawa	D14/128
D517,028 S *	3/2006	Joe et al.	D14/128
D534,510 S *	1/2007	Kang et al.	D14/128

OTHER PUBLICATIONS

U.S. Appl. No. 29/217,926, Applicant: Young-Jun Kim, et al., filed Nov. 23, 2004 entitled Projection Television.

U.S. Appl. No. 29/218,855, Applicant: Seung-Ho Lee, et al., filed Dec. 8, 2004 entitled LCD TV.

U.S. Appl. No. 29/218,856, Applicant: Seung-Ho Lee, et al., filed Dec. 8, 2004 entitled LCD TV.

U.S. Appl. No. 29/228,022, Applicant: Yun-Je Kang, et al., filed Apr. 19, 2005 entitled Projection Television.

U.S. Appl. No. 29/228,541, Applicant: Young-Sun Shin, et al., filed Apr. 25, 2005 entitled Television.

U.S. Appl. No. 29/228,026, Applicant: Yun-Je Kang, et al., filed Apr. 19, 2005 entitled Projection Television.

U.S. Appl. No. 29/228,024, Applicant: Ki-Soo Kim, et al., filed Apr. 19, 2005 entitled LCD Television.

U.S. Appl. No. 29/212,121, Applicant: Eui-Seok Kim, et al., filed Aug. 26, 2004 entitled LCD Monitor.

U.S. Appl. No. 29/231,241, Applicant: Young-Jun Kim, et al., filed Jun. 2, 2005 entitled Monitor.

(Continued)

Primary Examiner—Raphael Barkai

(74) *Attorney, Agent, or Firm*—Flynn, Thiel, Boutell & Tanis, P.C.

(57) **CLAIM**

The ornamental design for a projection television, as shown and described.

DESCRIPTION

FIG. 1. is a top front perspective view of a projection television showing our new design.

FIG. 2. is a front elevational view thereof.

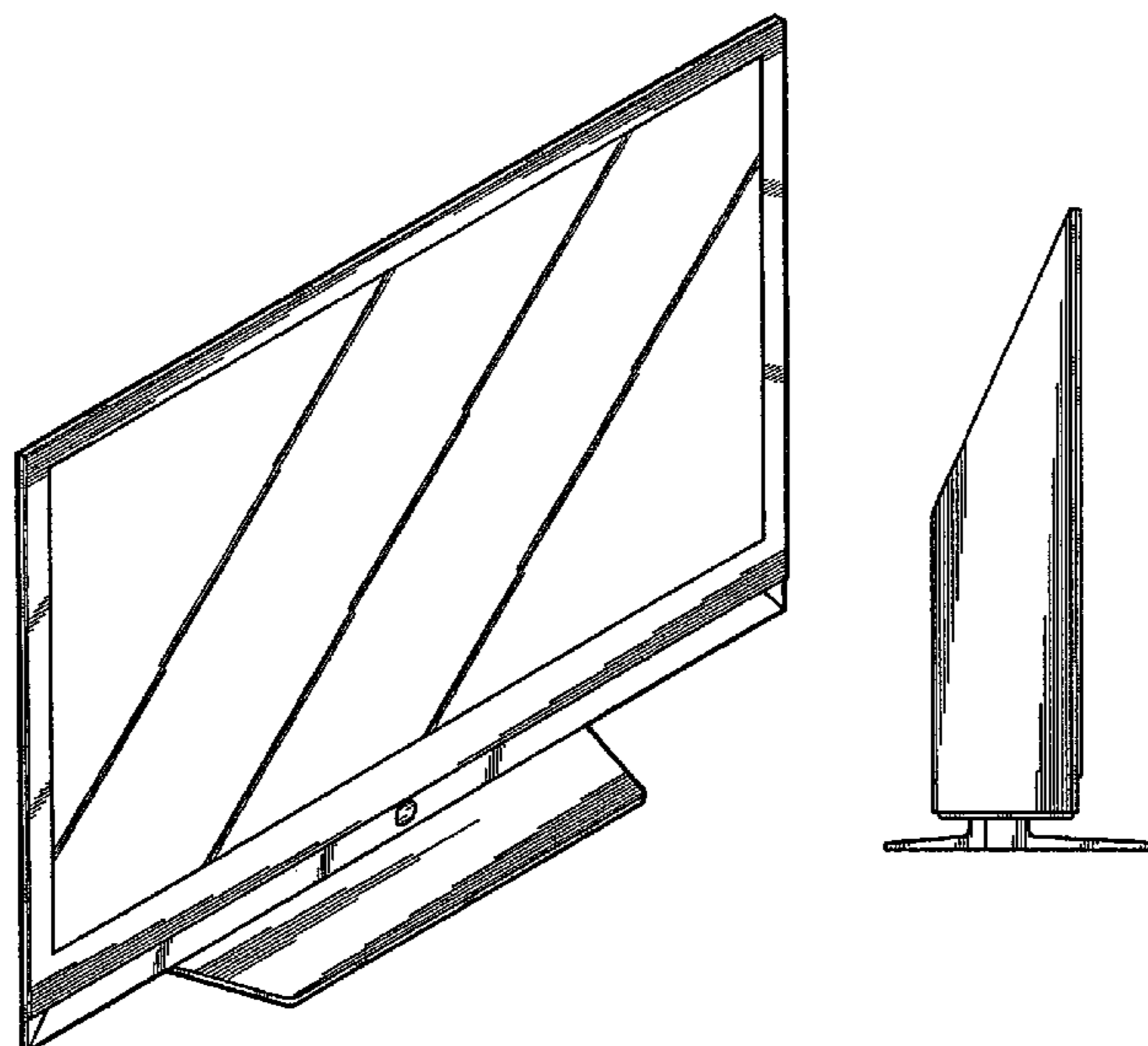
FIG. 3. is a rear elevational view thereof.

FIG. 4. is a left side elevational view thereof. (a right side elevational view is symmetrical to the left side elevational view.)

FIG. 5. is a top plan view thereof; and,

FIG. 6. is a bottom plan view thereof.

1 Claim, 4 Drawing Sheets



OTHER PUBLICATIONS

U.S. Appl. No. 29/231,236, Applicant: Ki-Soo Kim, et al., filed Jun. 2, 2005 entitled LCD Monitor.
U.S. Appl. No. 29/231,924, Applicant: Sang-II Park, et al., filed Jun. 10, 2005 entitled LCD Monitor.
U.S. Appl. No. 29/231,925, Applicant: Sang-II Park, et al., filed Jun. 10, 2005 entitled LCD Monitor.
U.S. Appl. No. 29/236,042, Applicant: Yun-Je Kang, et al., filed Aug. 10, 2005 entitled Projection Television.
U.S. Appl. No. 29/236,044, Applicant: Sang-Won Yoon, et al., filed Aug. 10, 2005 entitled LCD Monitor.
U.S. Appl. No. 29/236,045, Applicant: Yun-Je Kang, et al., filed Aug. 10, 2005 entitled Projection Television.
U.S. Appl. No. 29/236,046, Applicant: Min-Hyong Boo, et al., filed Aug. 10, 2005 entitled LCD Monitor.

U.S. Appl. No. 29/236,960, Applicant: Baek-Ki Kim, et al., filed Aug. 24, 2005 entitled LCD Monitor.
U.S. Appl. No. 29/236,961, Applicant: Kyoung-Hoon Kim, et al., filed Aug. 24, 2005 entitled Television.
U.S. Appl. No. 29/236,965, Applicant: Jun-Ho Yang, et al., filed Aug. 24, 2005 entitled Television.
U.S. Appl. No. 29/236,966, Applicant: Jun-Ho Yang, et al., filed Aug. 24, 2005 entitled LCD Television.
U.S. Appl. No. 29/236,967, Applicant: Jun-Ho Yang, et al., filed Aug. 24, 2005 entitled Television.
U.S. Appl. No. 29/236,968, Applicant: Jun-Ho Yang, et al., filed Aug. 24, 2005 entitled Television.
U.S. Appl. No. 29/236,969, Applicant: Jun-Ho Yang, et al., filed Aug. 24, 2005 entitled Television.

* cited by examiner

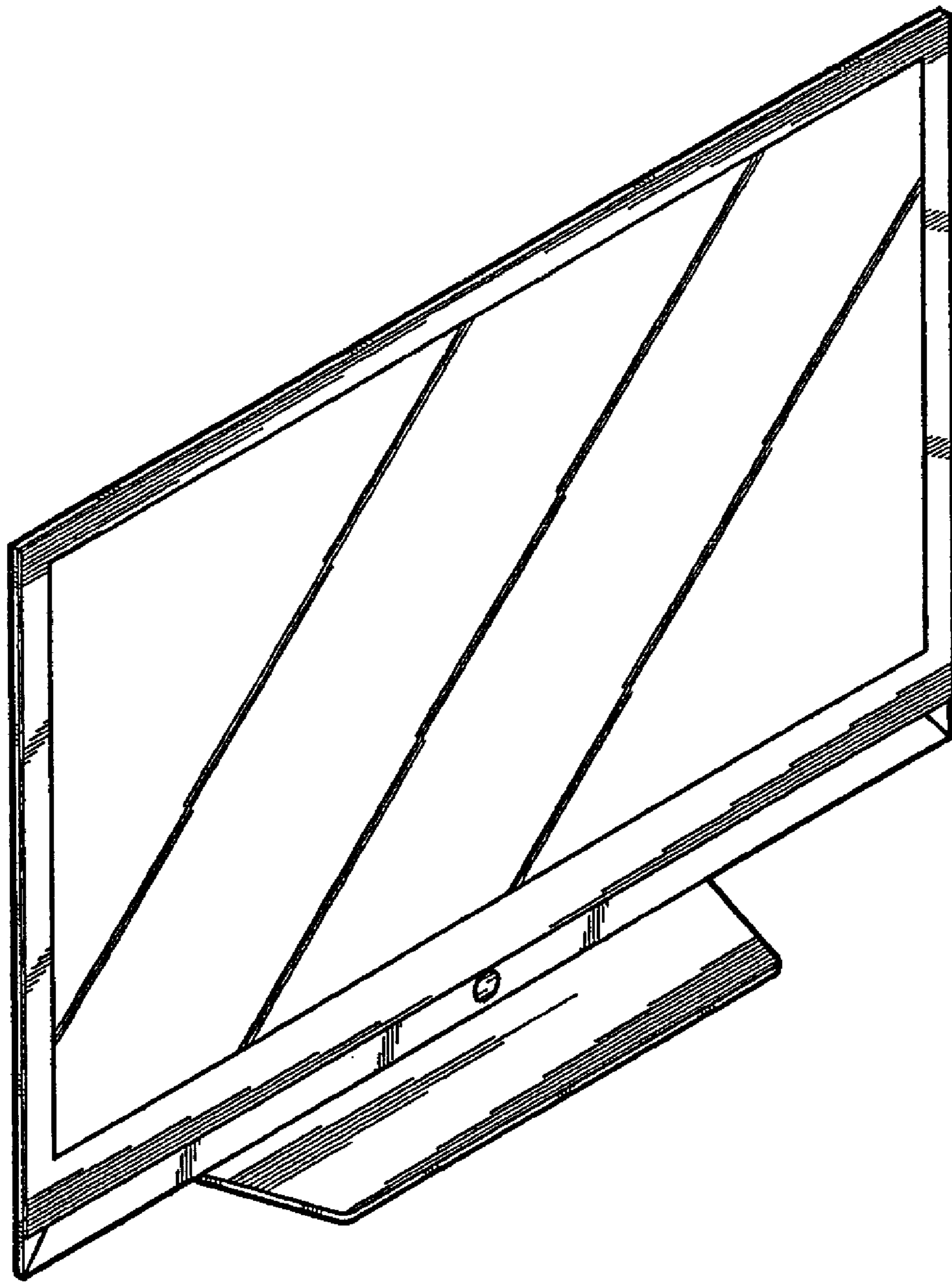


FIG. 1

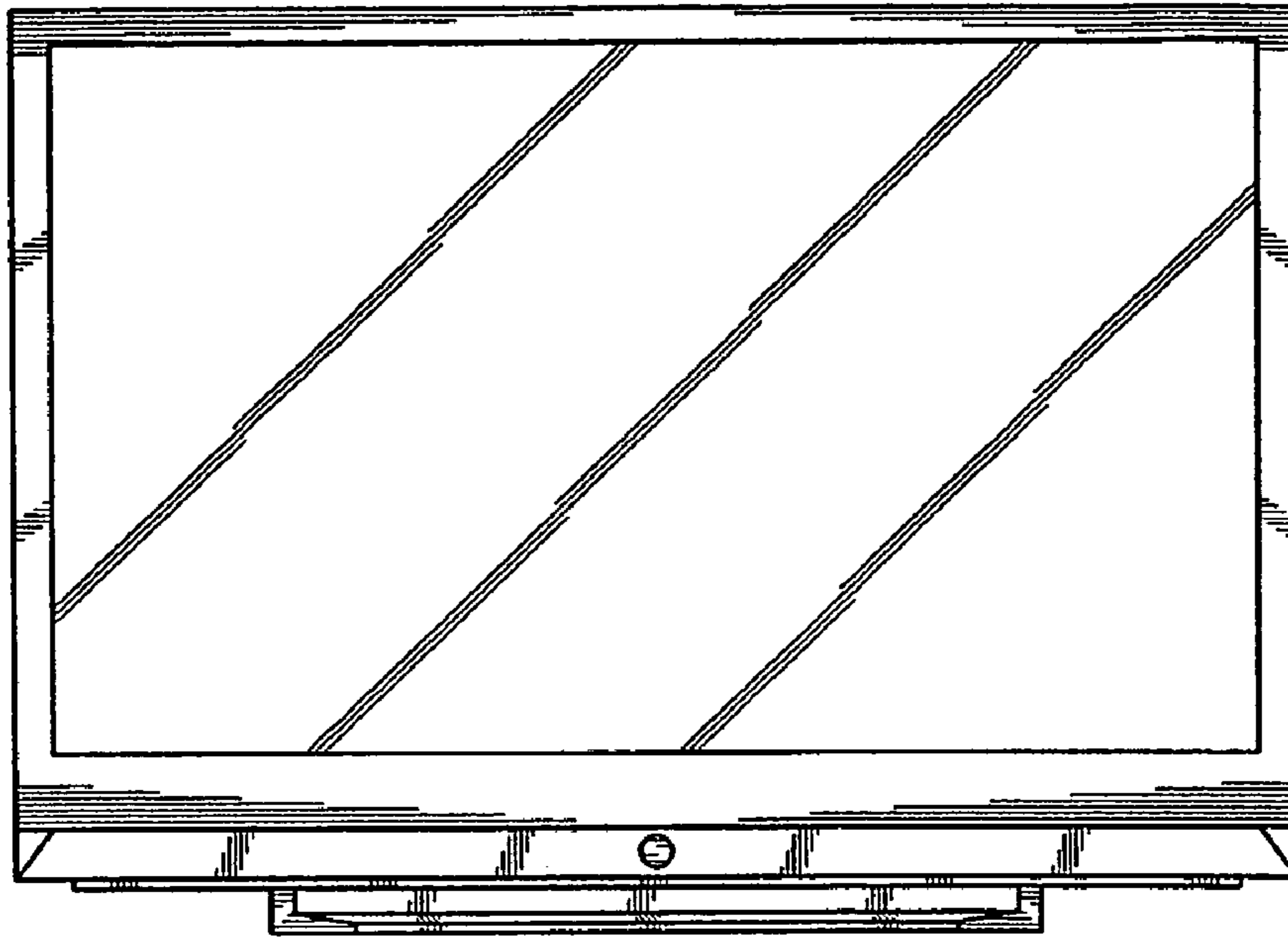


FIG. 2

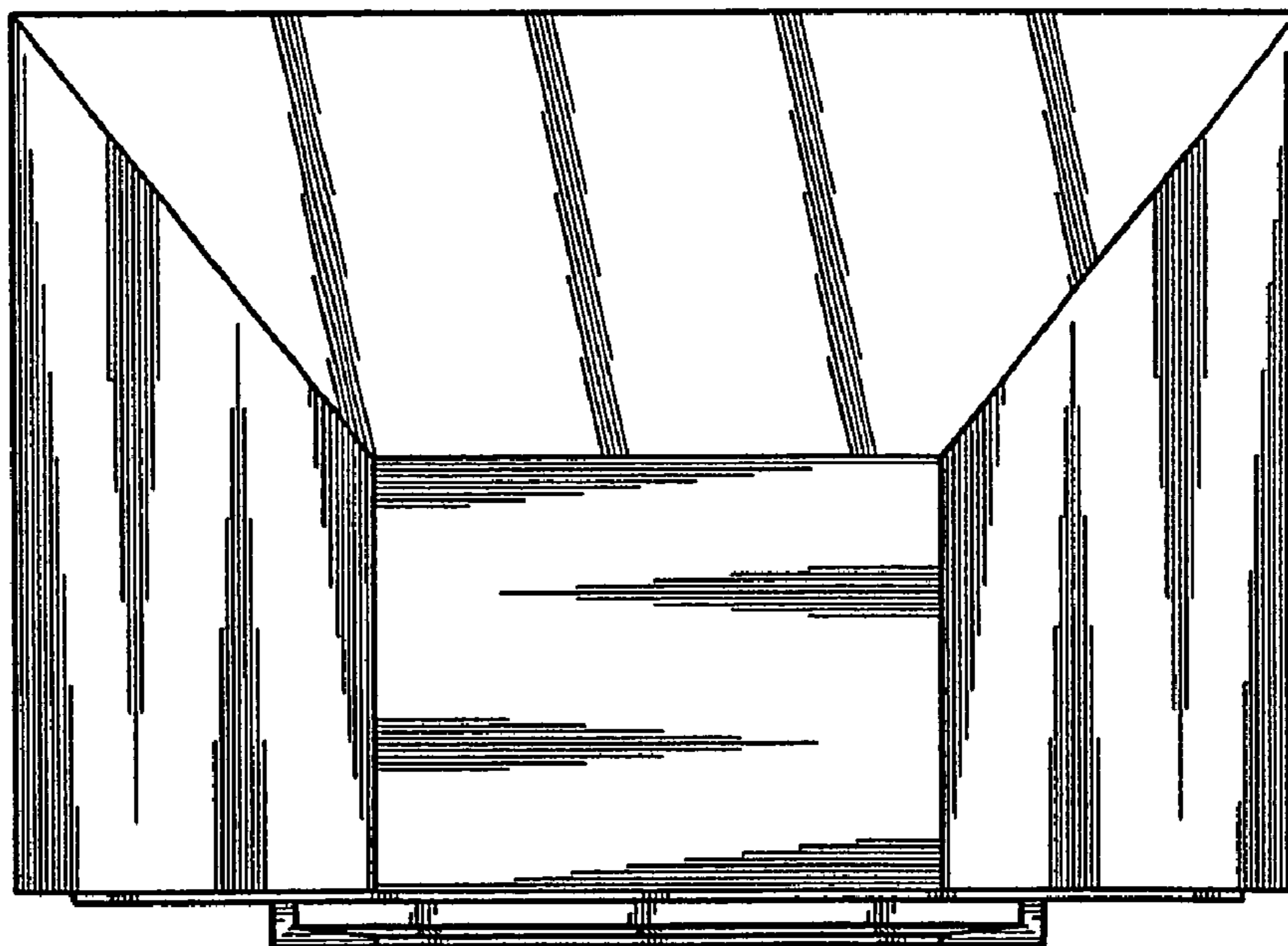


FIG. 3

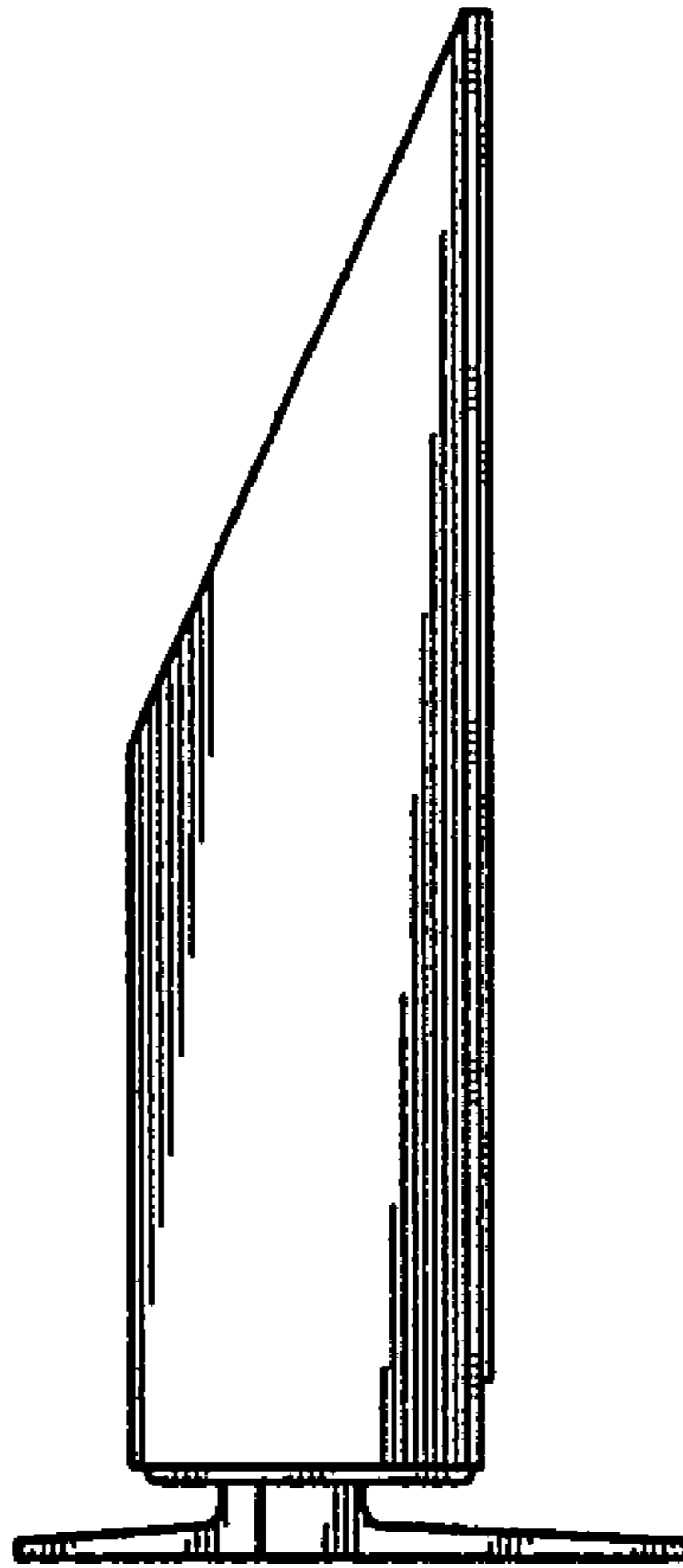


FIG.4

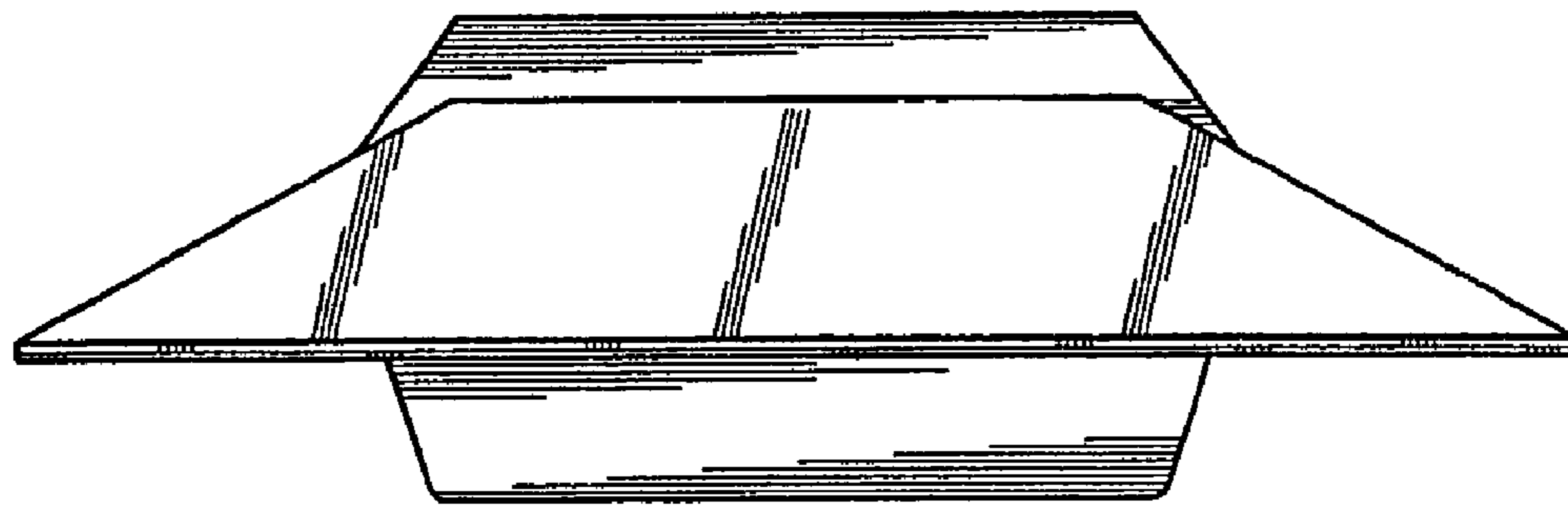


FIG. 5

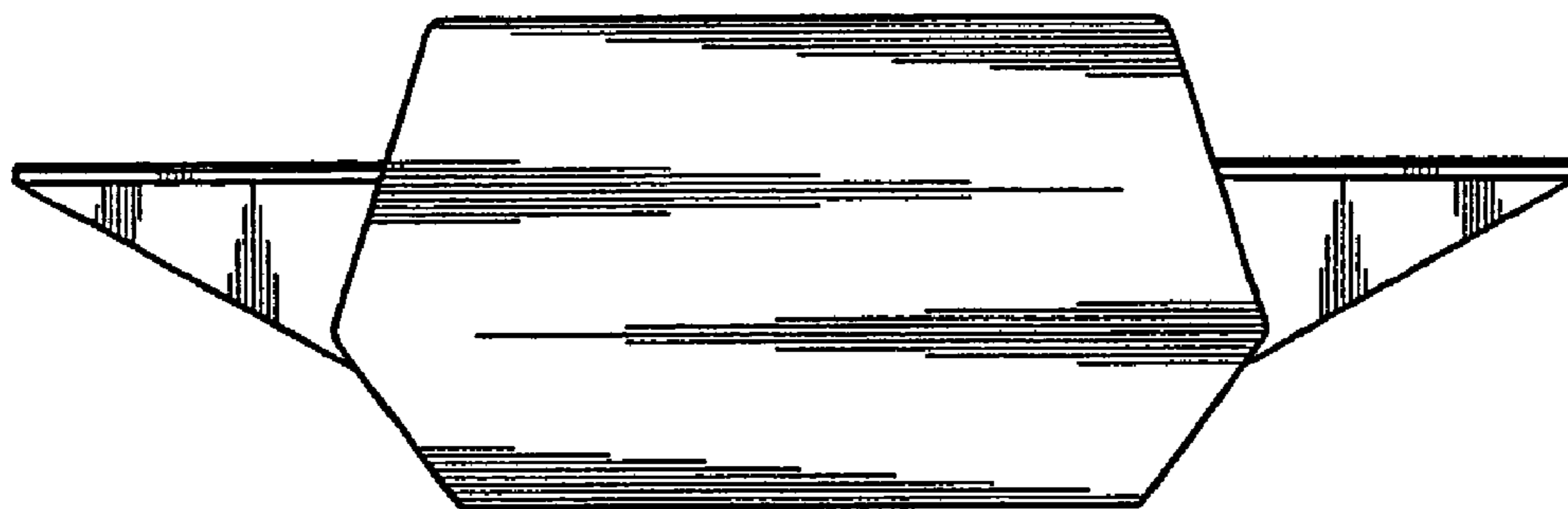


FIG. 6