



US00D551635S

(12) **United States Design Patent** (10) **Patent No.:** **US D551,635 S**
Ng et al. (45) **Date of Patent:** **** Sep. 25, 2007**

(54) **TELEVISION SET**

(75) Inventors: **Po Yi Ng**, Sunnyvale, CA (US); **Chris Heatherly**, Pasadena, CA (US)

(73) Assignee: **Disney Enterprises, Inc.**, Burbank, CA (US)

(**) Term: **14 Years**

(21) Appl. No.: **29/204,990**

(22) Filed: **May 6, 2004**

(51) **LOC (8) Cl.** **14-03**

(52) **U.S. Cl.** **D14/126**

(58) **Field of Classification Search** D14/125–134,
D14/374–377, 440, 450, 448, 336, 342; 312/7.2;
348/836, 838, 180, 184, 325, 739; 341/12;
248/917–924, 465; 345/104, 133, 156, 168,
345/87, 173; 720/605, 669, 600, 655; 369/99,
369/197; 455/344–347; D21/329, 515,
D21/577, 622, 333; 273/148 B; 446/175,
446/356, 484; 463/46; D10/15, 16
See application file for complete search history.

(56) **References Cited**

U.S. PATENT DOCUMENTS

5,072,998	A	*	12/1991	Oh	312/204
D324,214	S	*	2/1992	Jo	D14/129
D452,501	S	*	12/2001	Chang	D14/379
D458,910	S	*	6/2002	Kita	D14/126
D469,764	S	*	2/2003	Liao	D14/371
D479,910	S	*	9/2003	Esslinger et al.	D3/282
D483,360	S	*	12/2003	Ma	D14/371
D488,140	S	*	4/2004	Hanselman et al.	D14/129
D497,351	S	*	10/2004	Kita	D14/126
D497,885	S	*	11/2004	Esslinger et al.	D14/126
D503,159	S	*	3/2005	Esslinger et al.	D14/129
D503,161	S	*	3/2005	Esslinger et al.	D14/136

* cited by examiner

Primary Examiner—Raphael Barkai

Assistant Examiner—Randall H. Gholson

(74) *Attorney, Agent, or Firm*—Greenberg Traurig, LLP

(57) **CLAIM**

The ornamental design for a television set, as shown and described.

DESCRIPTION

FIG. 1 is a perspective view of the design for the television set according to a first embodiment;

FIG. 2 is a front view thereof according to the first embodiment;

FIG. 3 is a rear side view thereof according to the first embodiment;

FIG. 4 is a top plan view thereof according to the first embodiment;

FIG. 5 is a bottom plan view thereof according to the first embodiment;

FIG. 6 is a left side view thereof according to the first embodiment;

FIG. 7 is a right side view thereof according to the first embodiment;

FIG. 8 is a perspective view thereof according to a second embodiment;

FIG. 9 is a front view thereof according to the second embodiment;

FIG. 10 is a rear side view thereof according to the second embodiment;

FIG. 11 is a top plan view thereof according to the second embodiment;

FIG. 12 is a bottom plan view thereof according to the second embodiment;

FIG. 13 is a left side view thereof according to the second embodiment;

FIG. 14 is a right side view thereof according to the second embodiment;

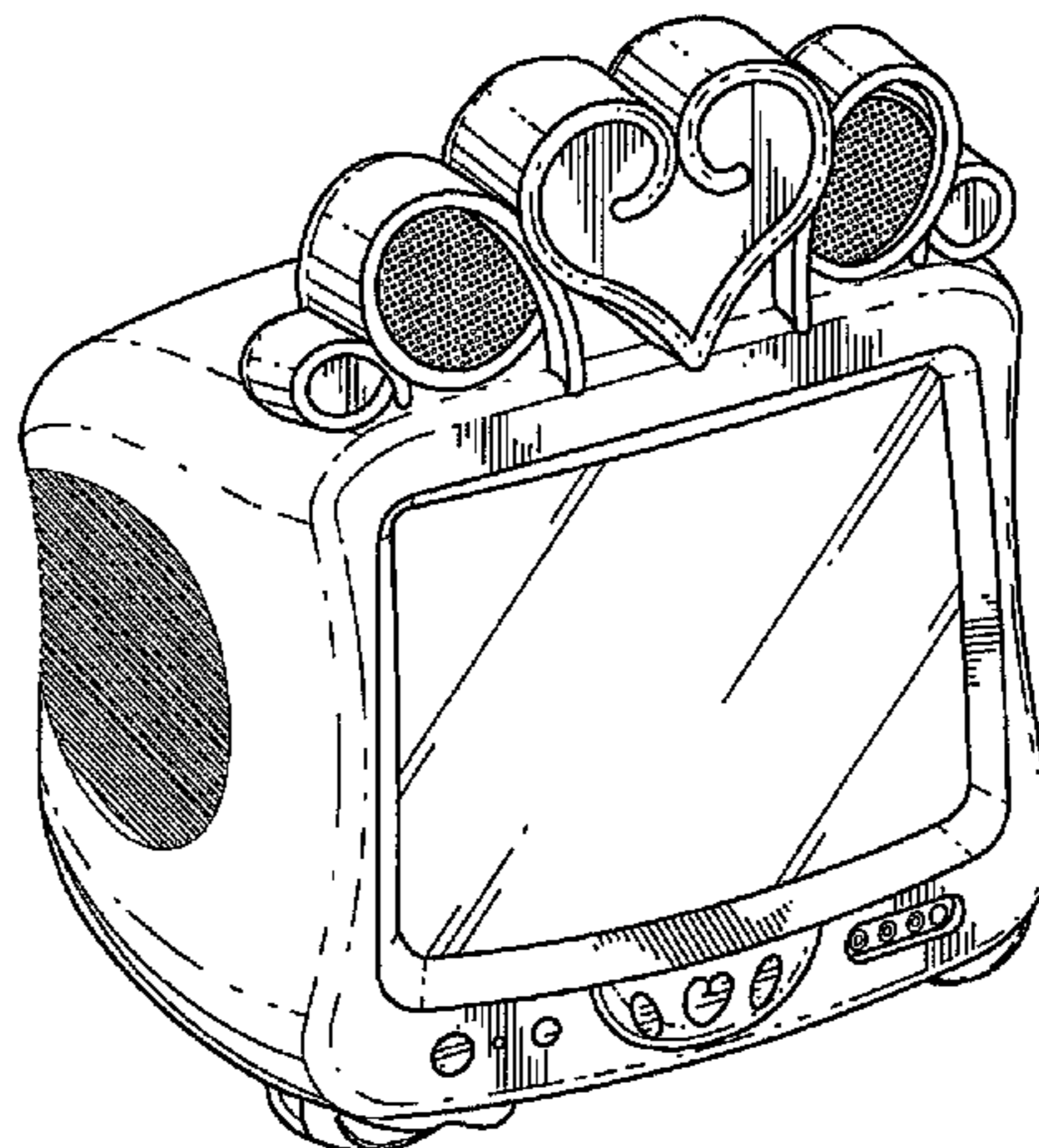


FIG. **15** is a perspective view thereof according to a third embodiment;

FIG. **16** is a front view thereof according to the third embodiment;

FIG. **17** is a rear side view thereof according to the third embodiment;

FIG. **18** is a top plan view thereof according to the third embodiment;

FIG. **19** is a bottom plan view thereof according to the third embodiment;

FIG. **20** is a left side view thereof according to the third embodiment;

FIG. **21** is a right side view thereof according to the third embodiment;

FIG. **22** is a perspective view thereof according to a fourth embodiment;

FIG. **23** is a front view thereof according to the fourth embodiment;

FIG. **24** is a rear side view thereof according to the fourth embodiment;

FIG. **25** is a top plan view thereof according to the fourth embodiment;

FIG. **26** is a bottom plan view thereof according to the fourth embodiment;

FIG. **27** is a left side view thereof according to the fourth embodiment; and,

FIG. **28** is a right side view thereof according to the fourth embodiment.

Broken lines are for illustrative purposes only and form no part of the claimed design.

1 Claim, 16 Drawing Sheets

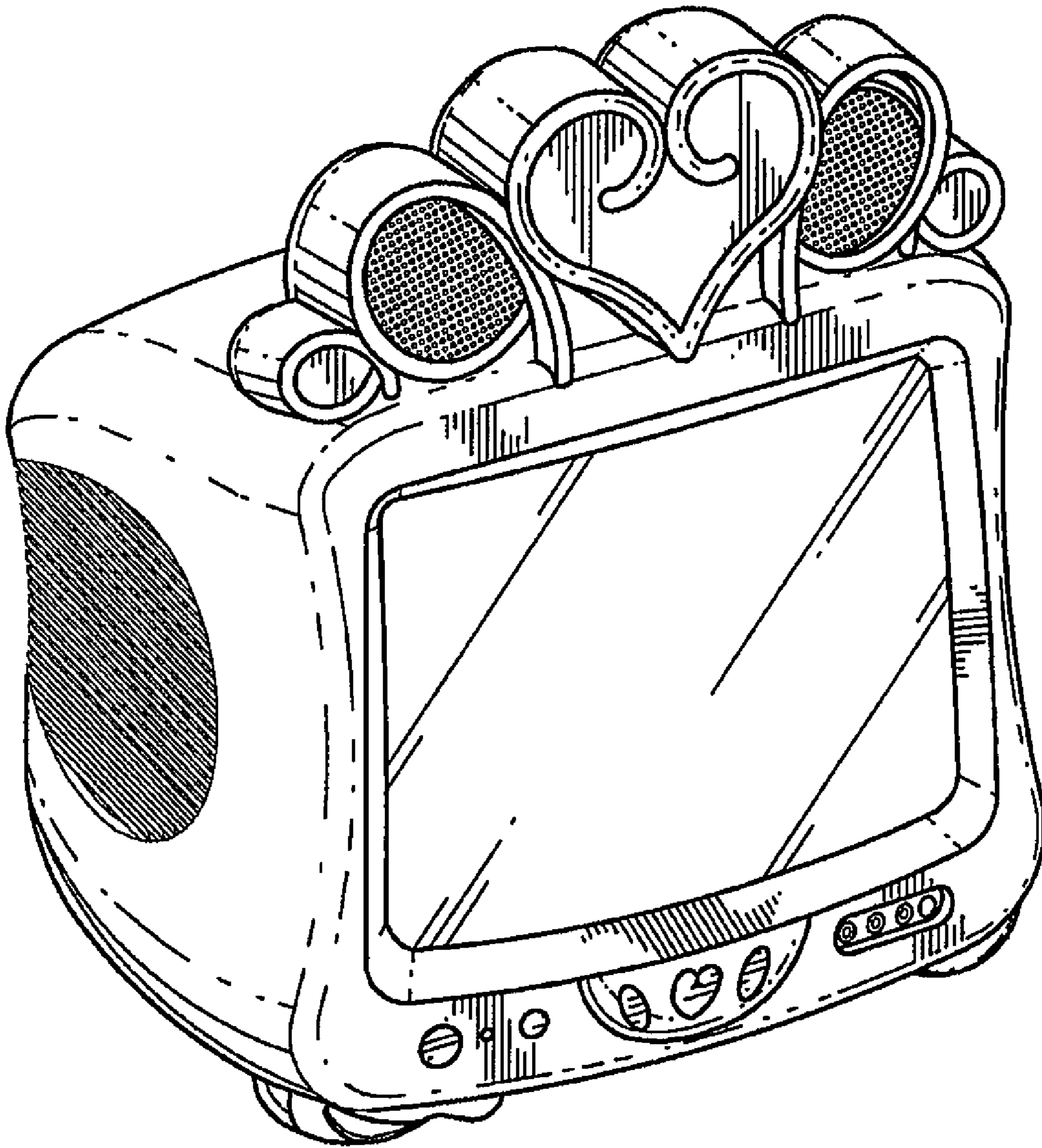


FIG. 1

FIG. 2

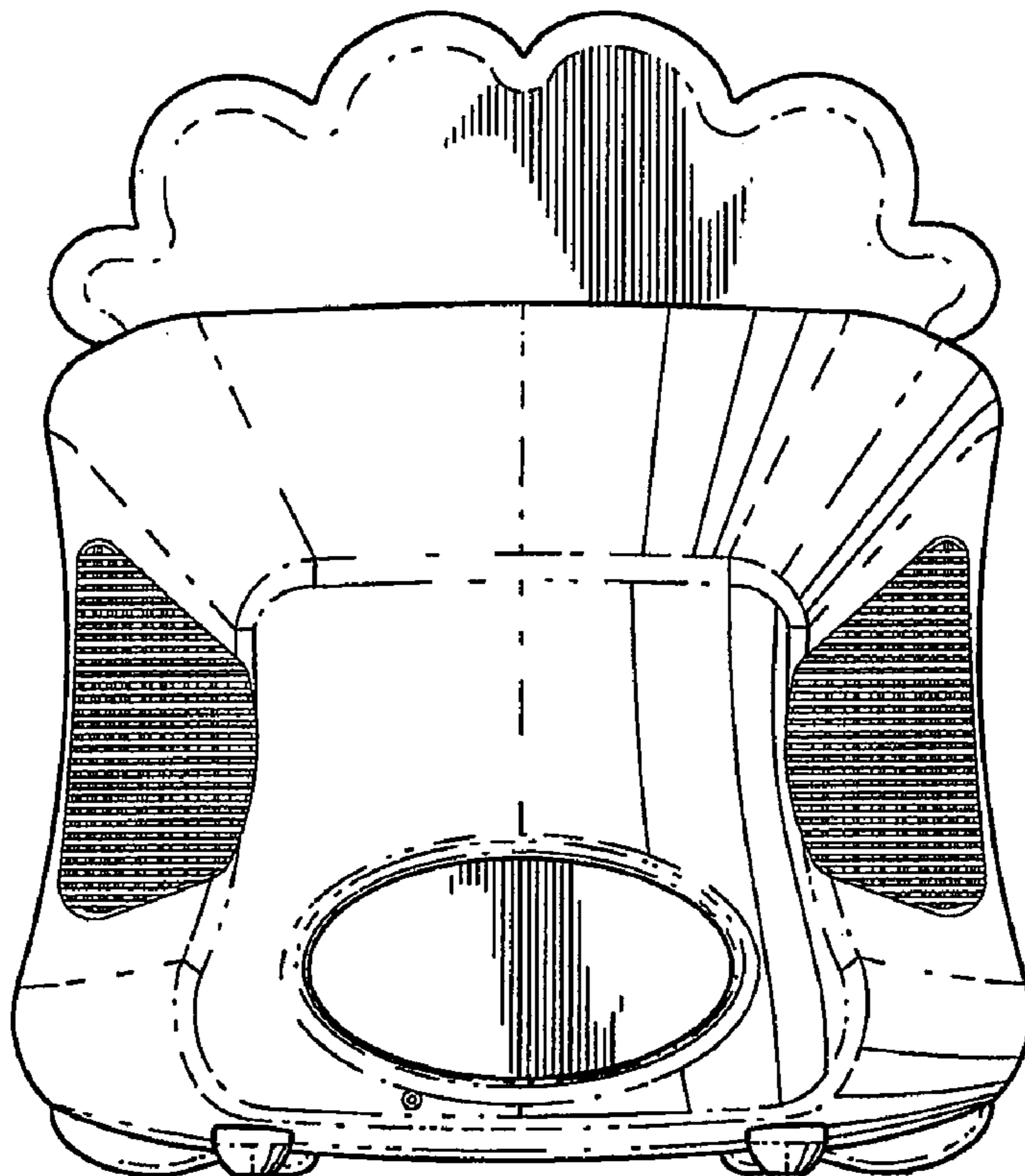
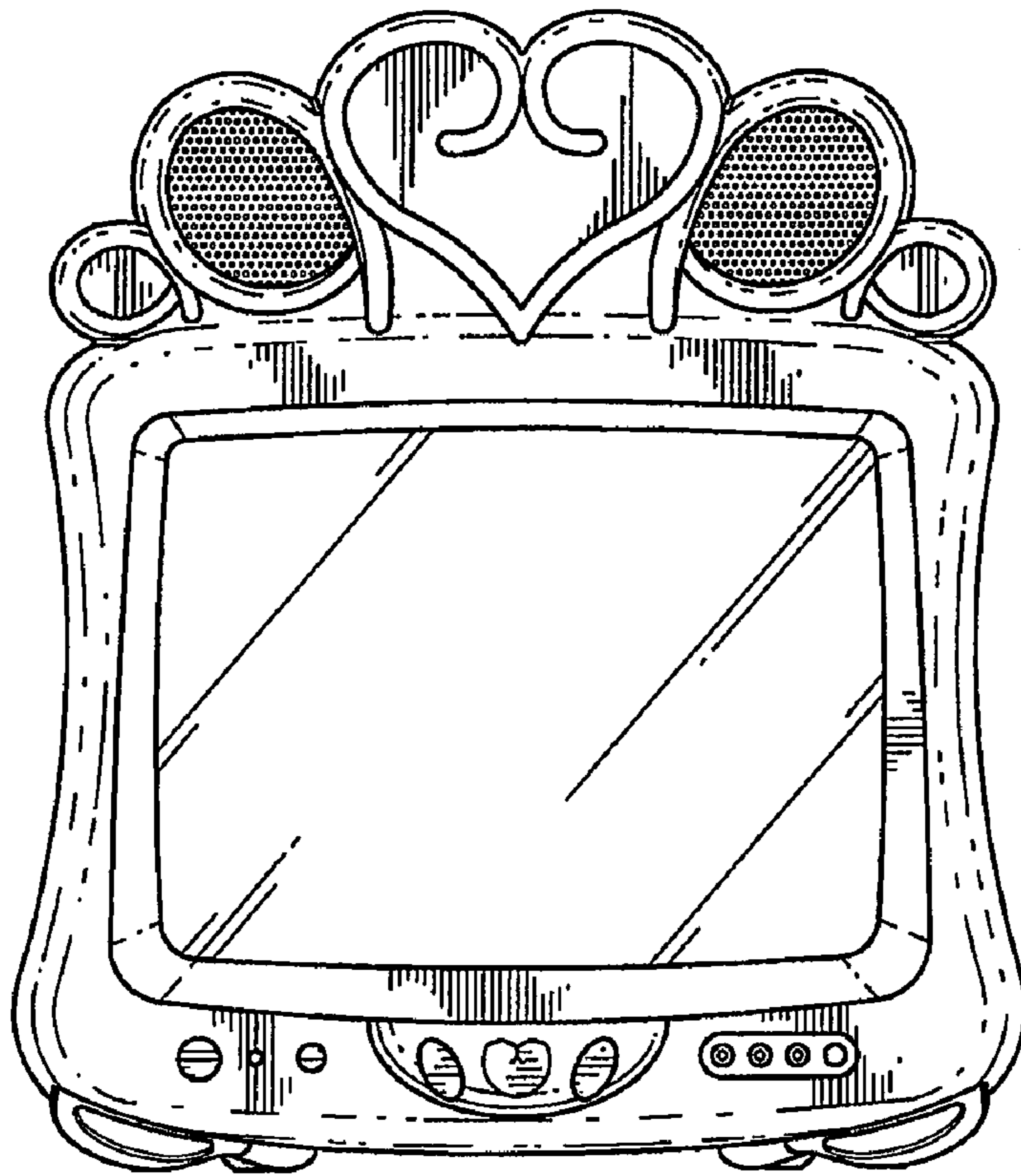


FIG. 3

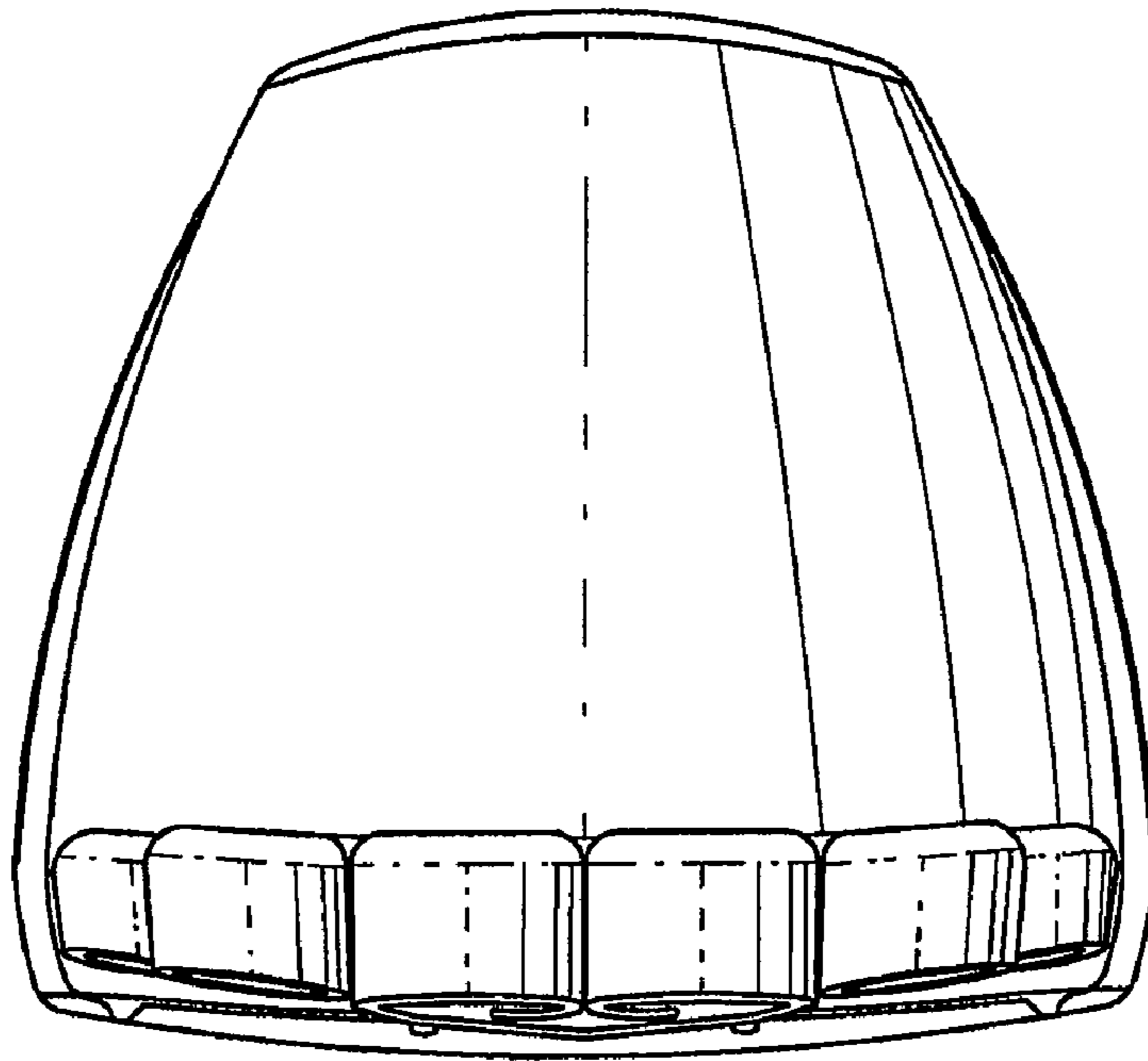


FIG. 4

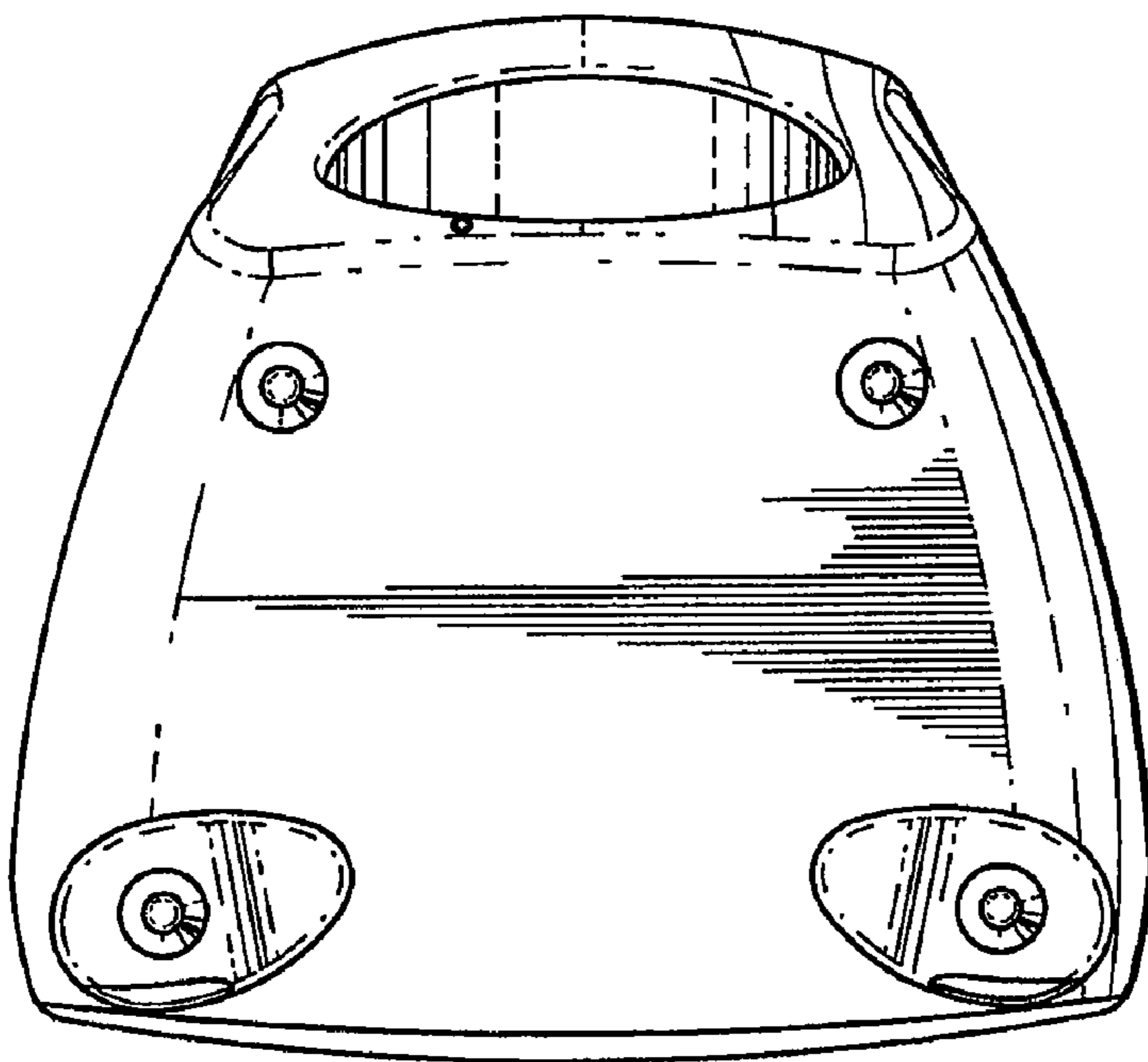


FIG. 5

FIG. 6

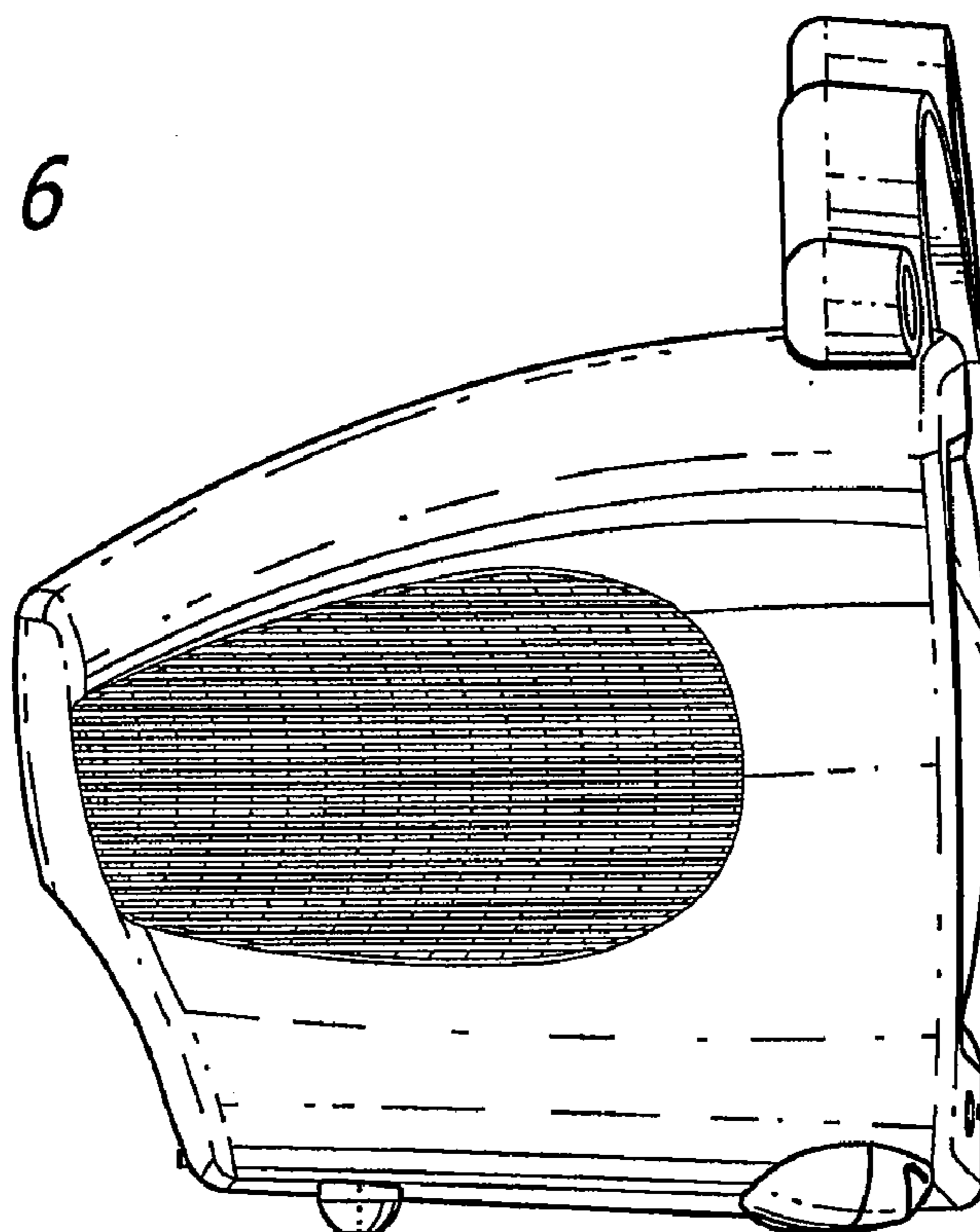
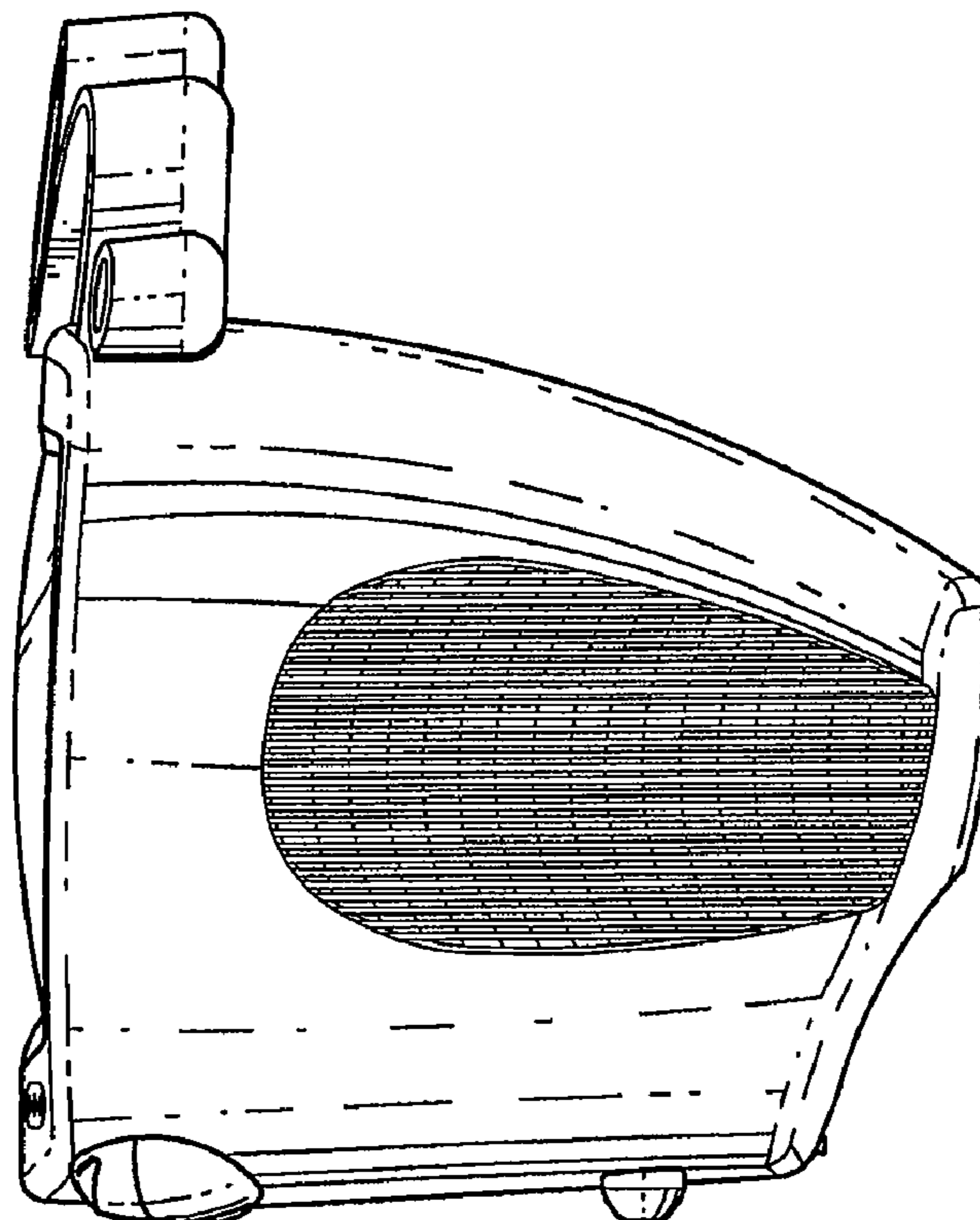


FIG. 7



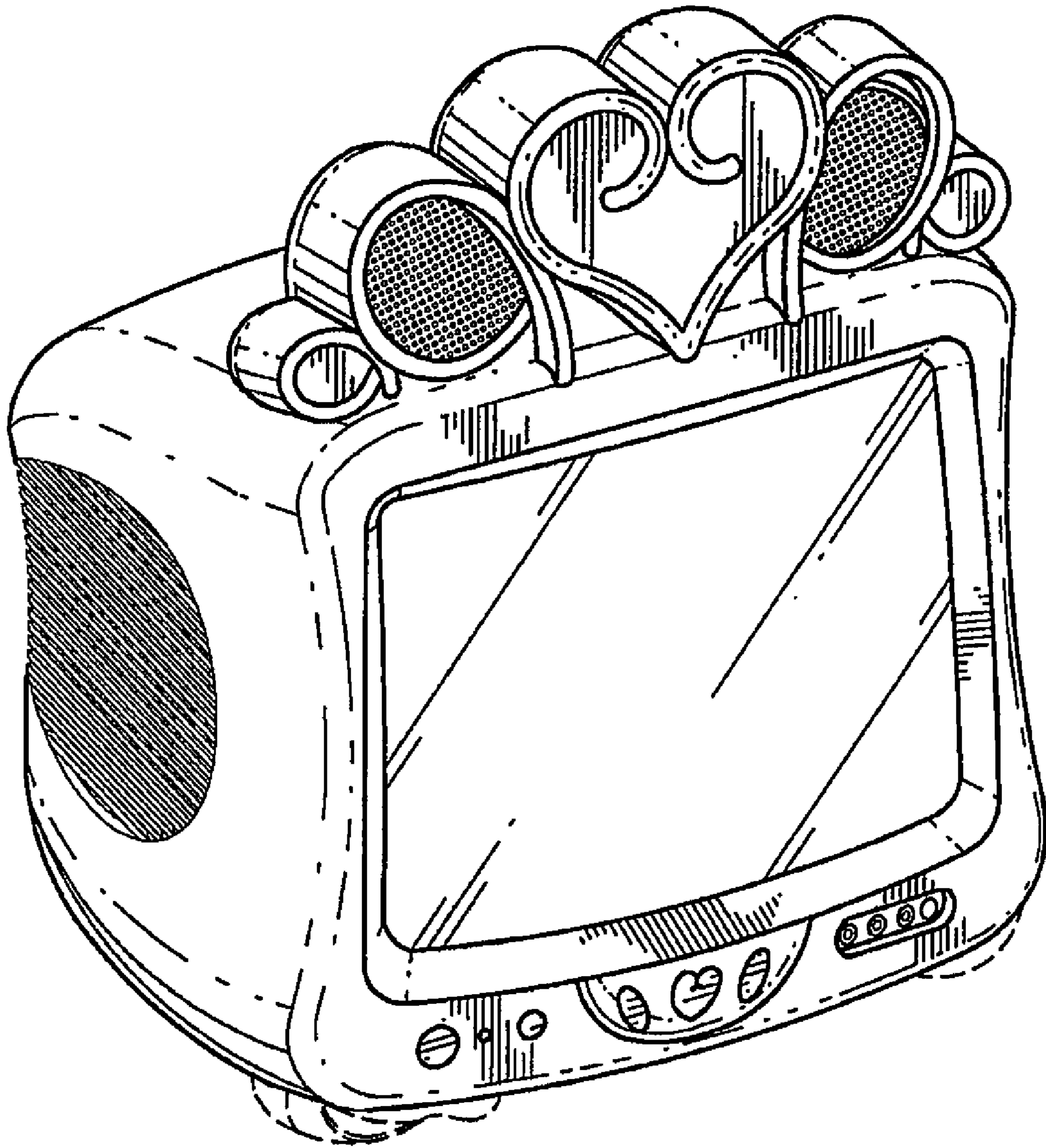


FIG. 8

FIG. 9

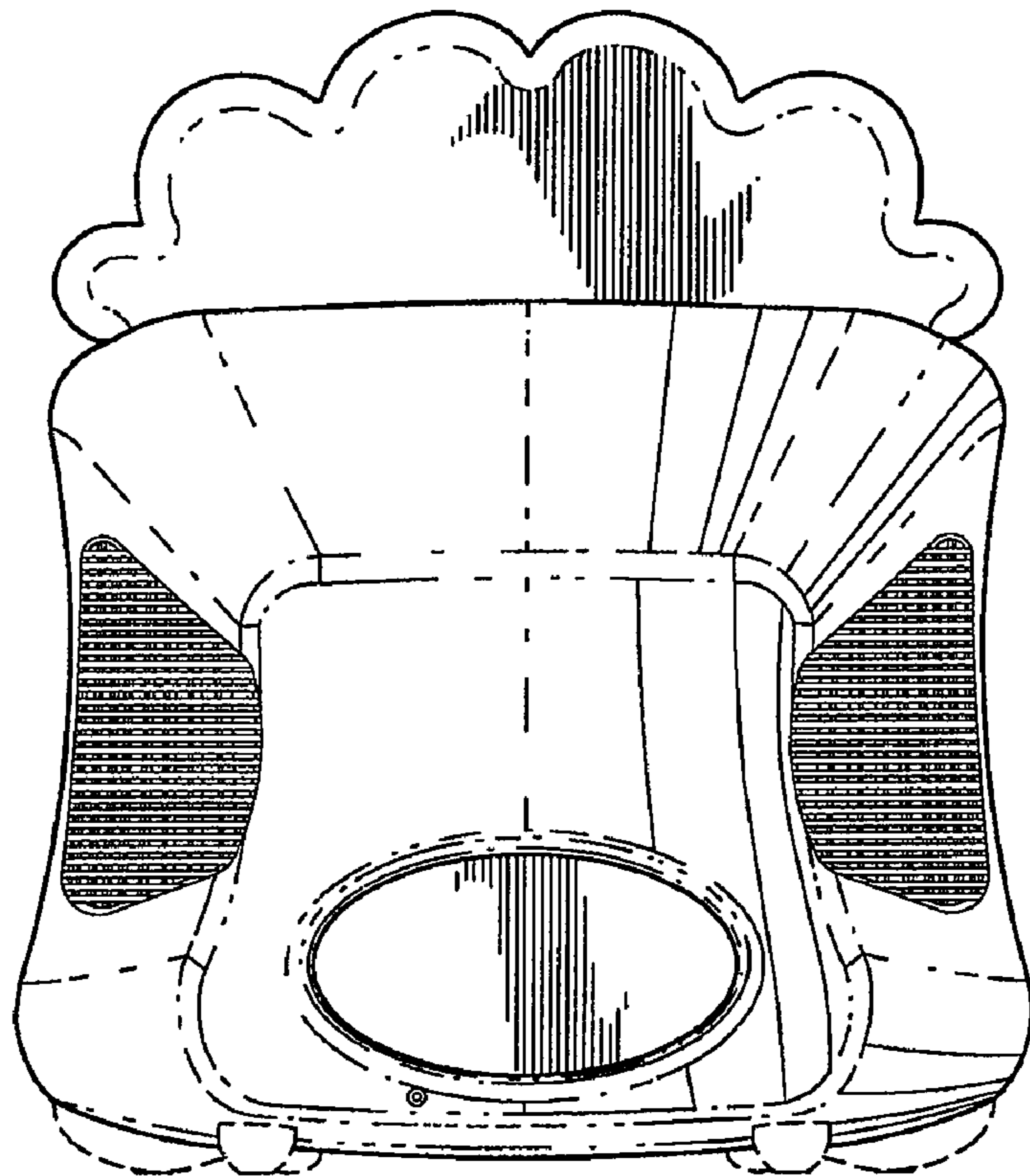
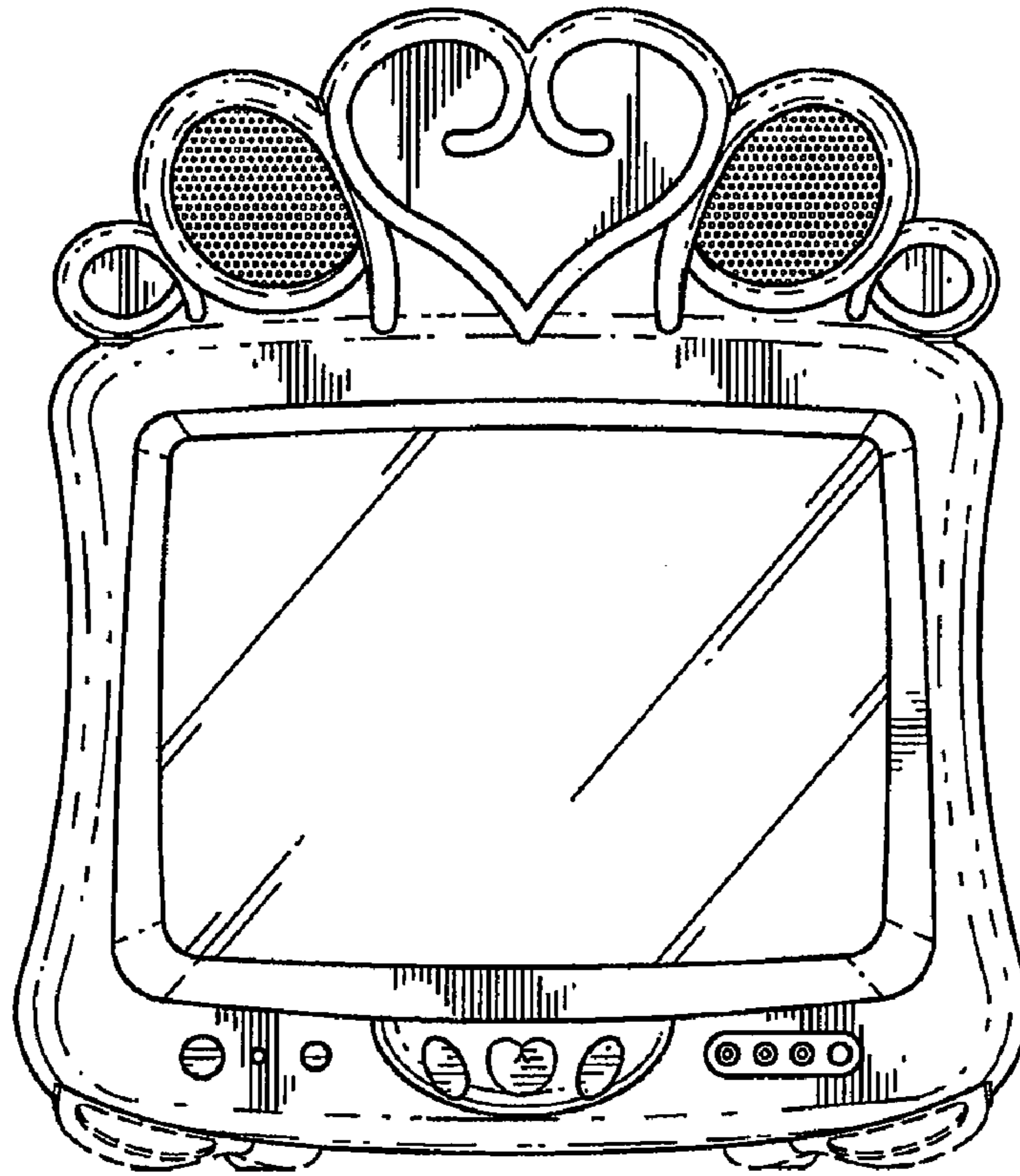


FIG. 10

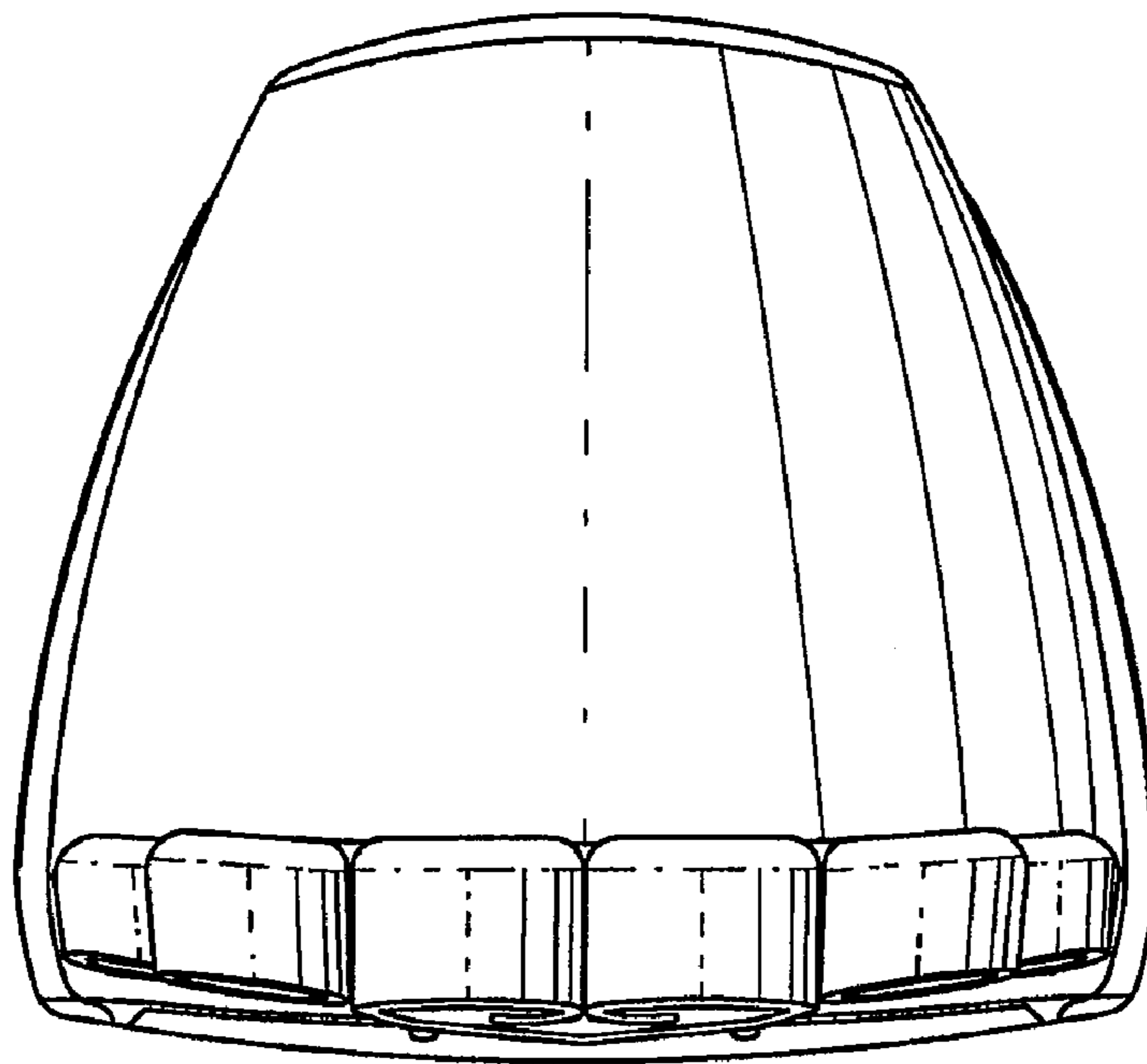


FIG. 11

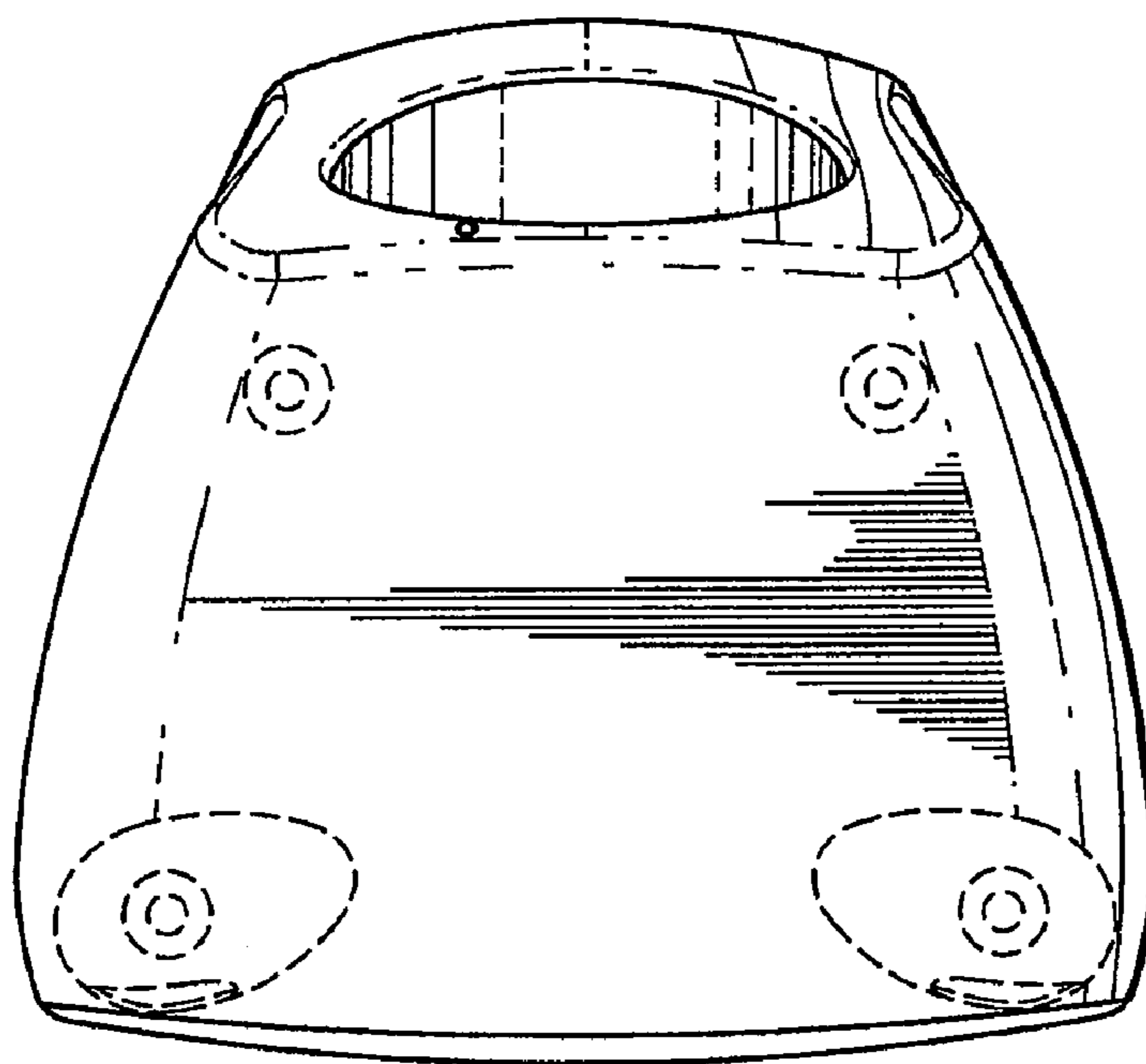


FIG. 12

FIG. 13

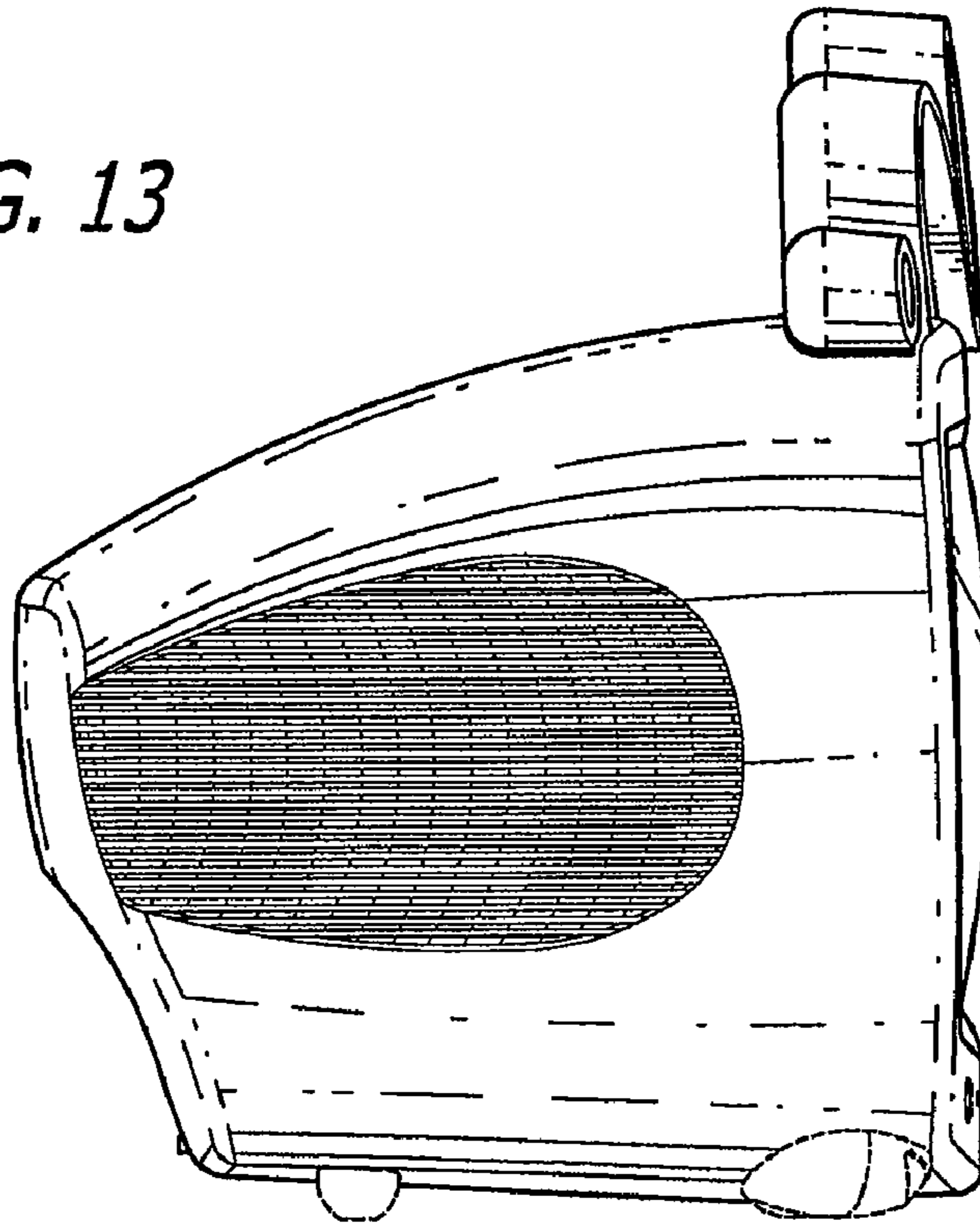
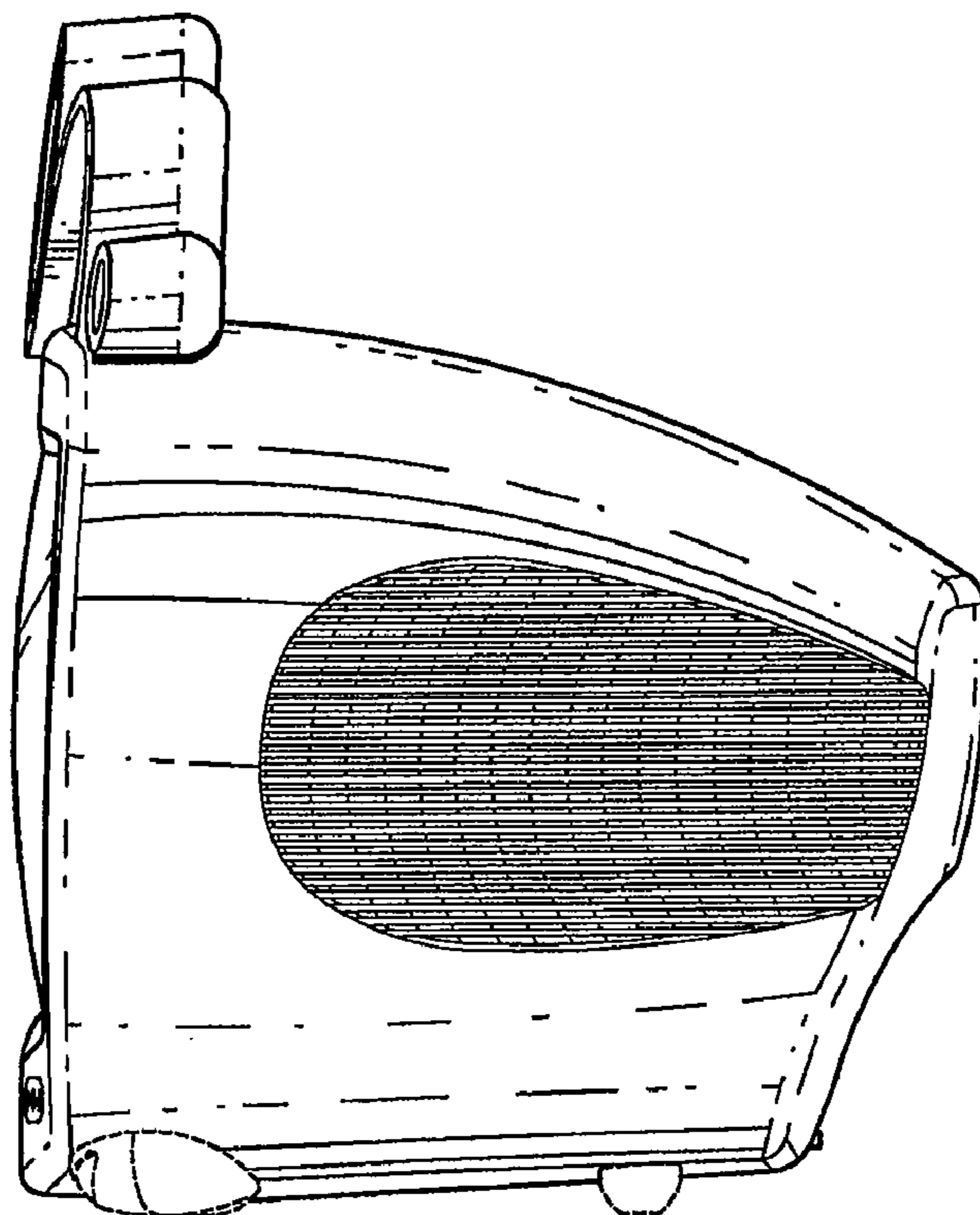


FIG. 14



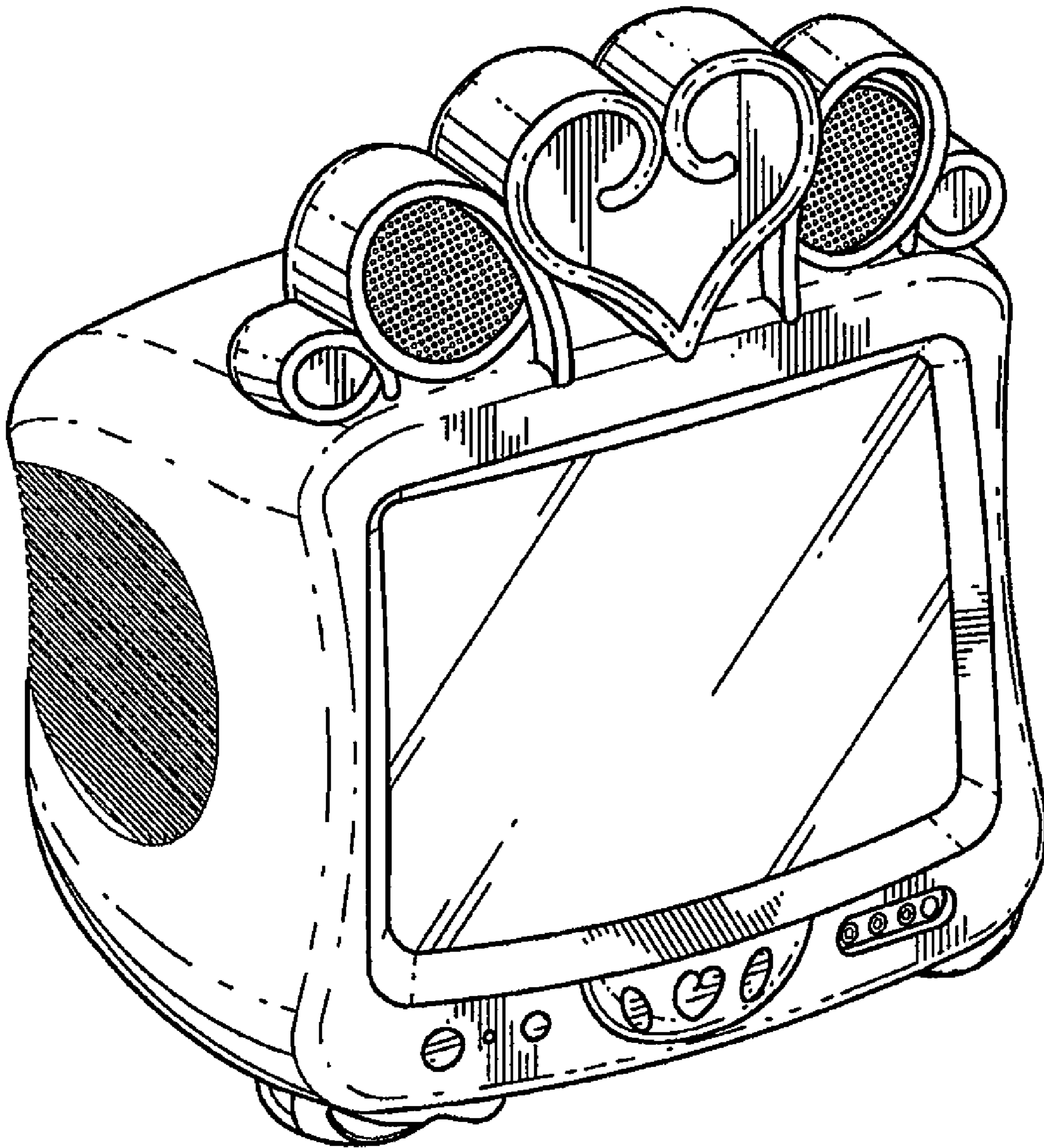


FIG. 15

FIG. 16

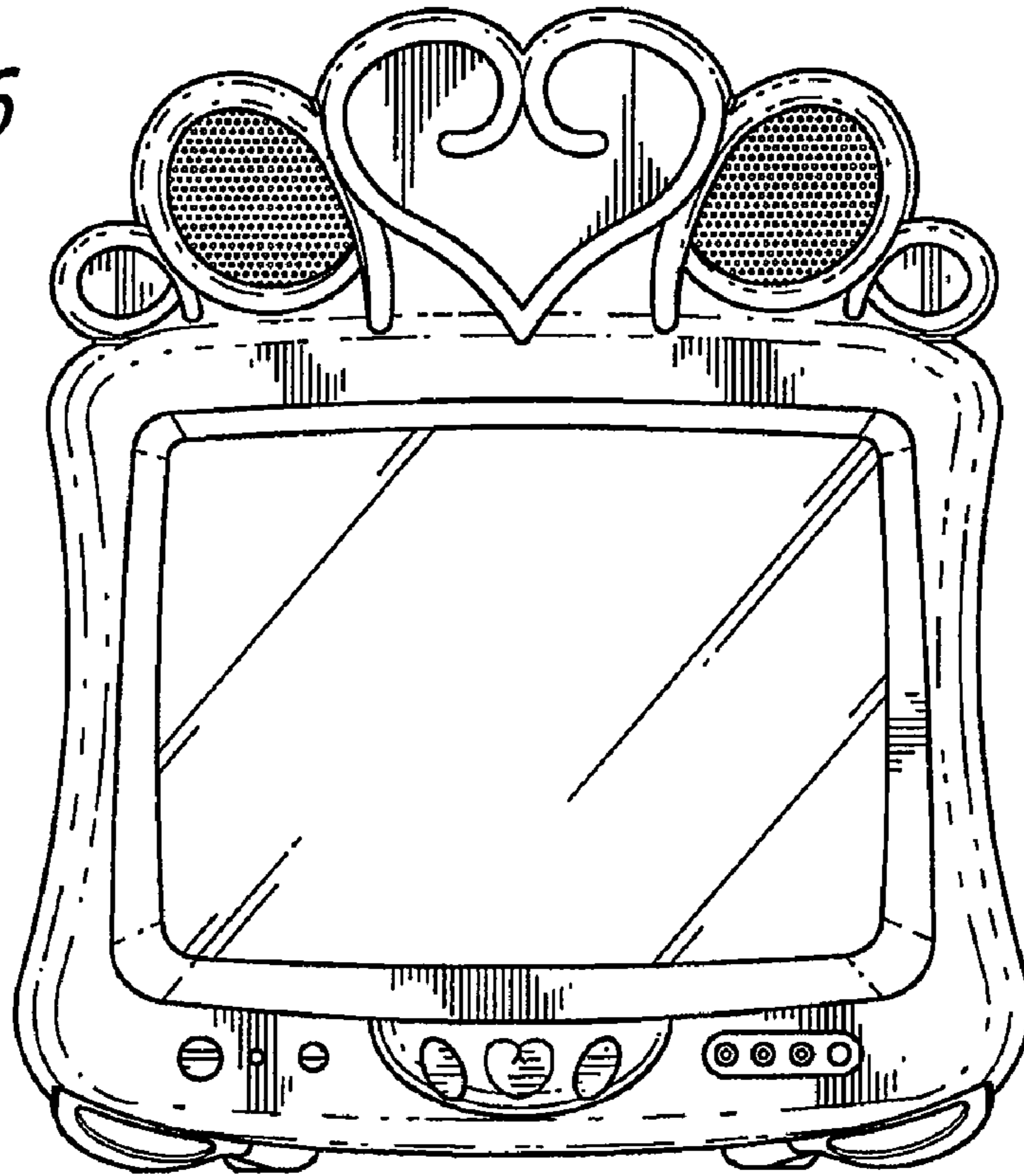
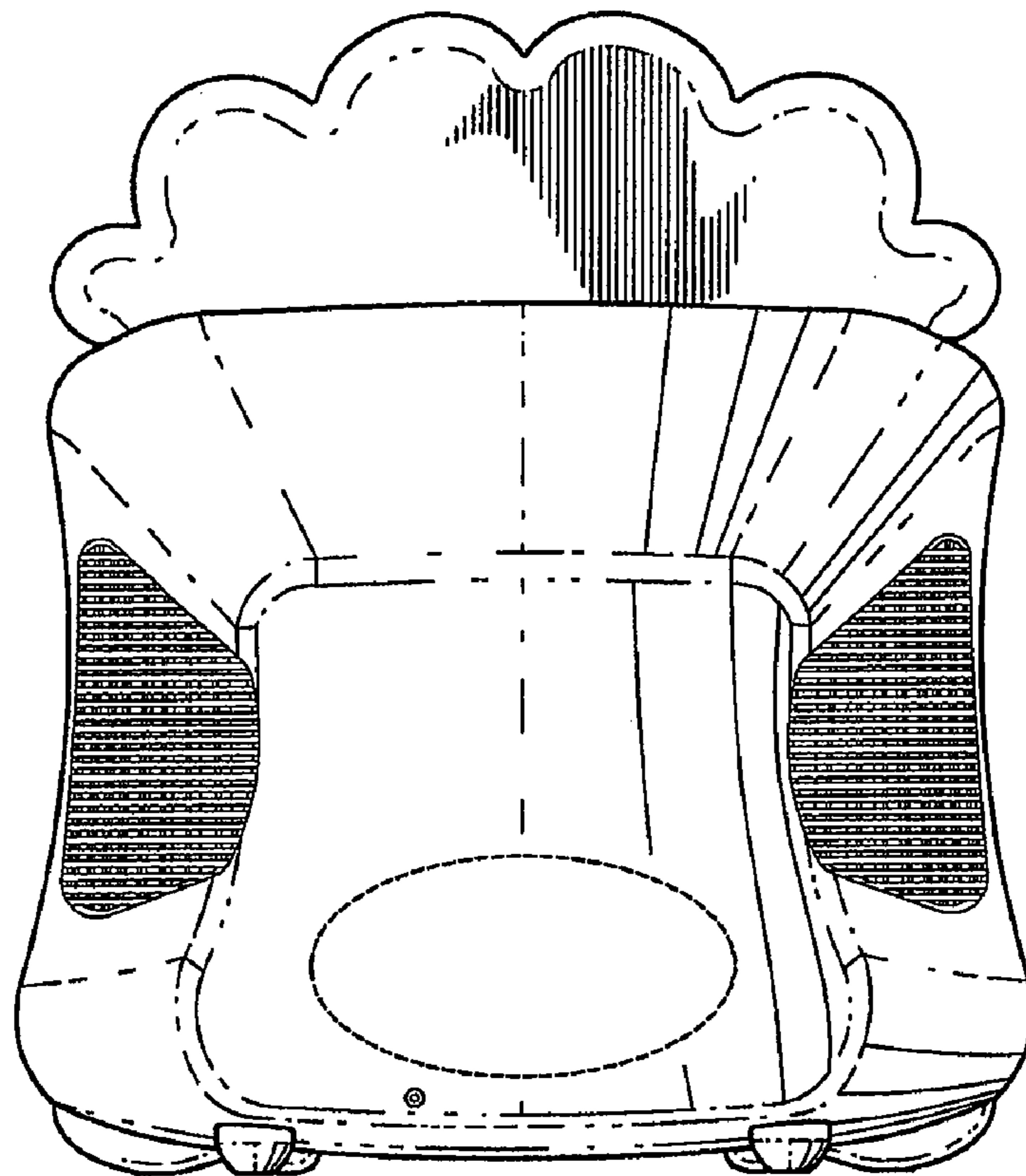


FIG. 17



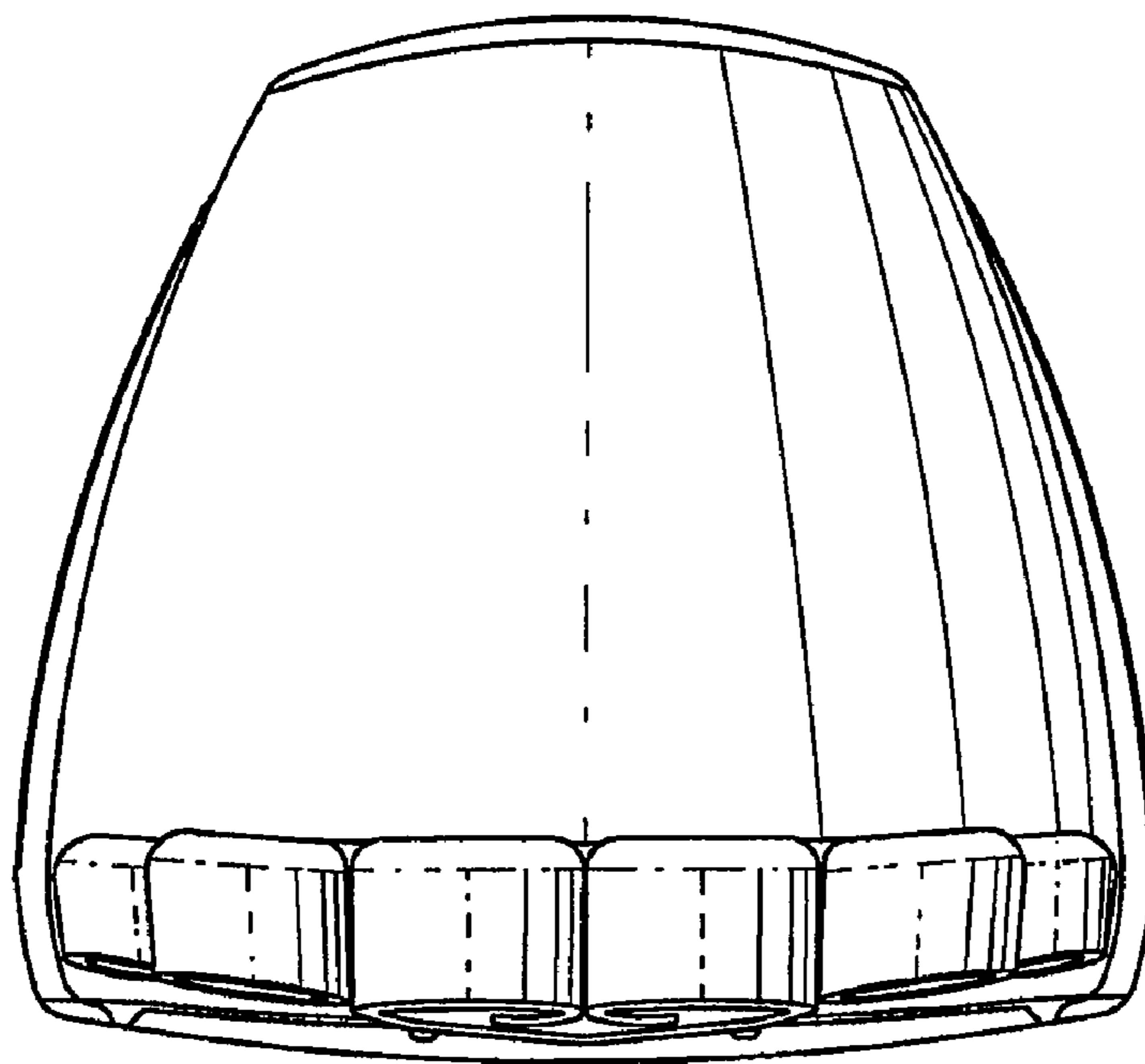


FIG. 18

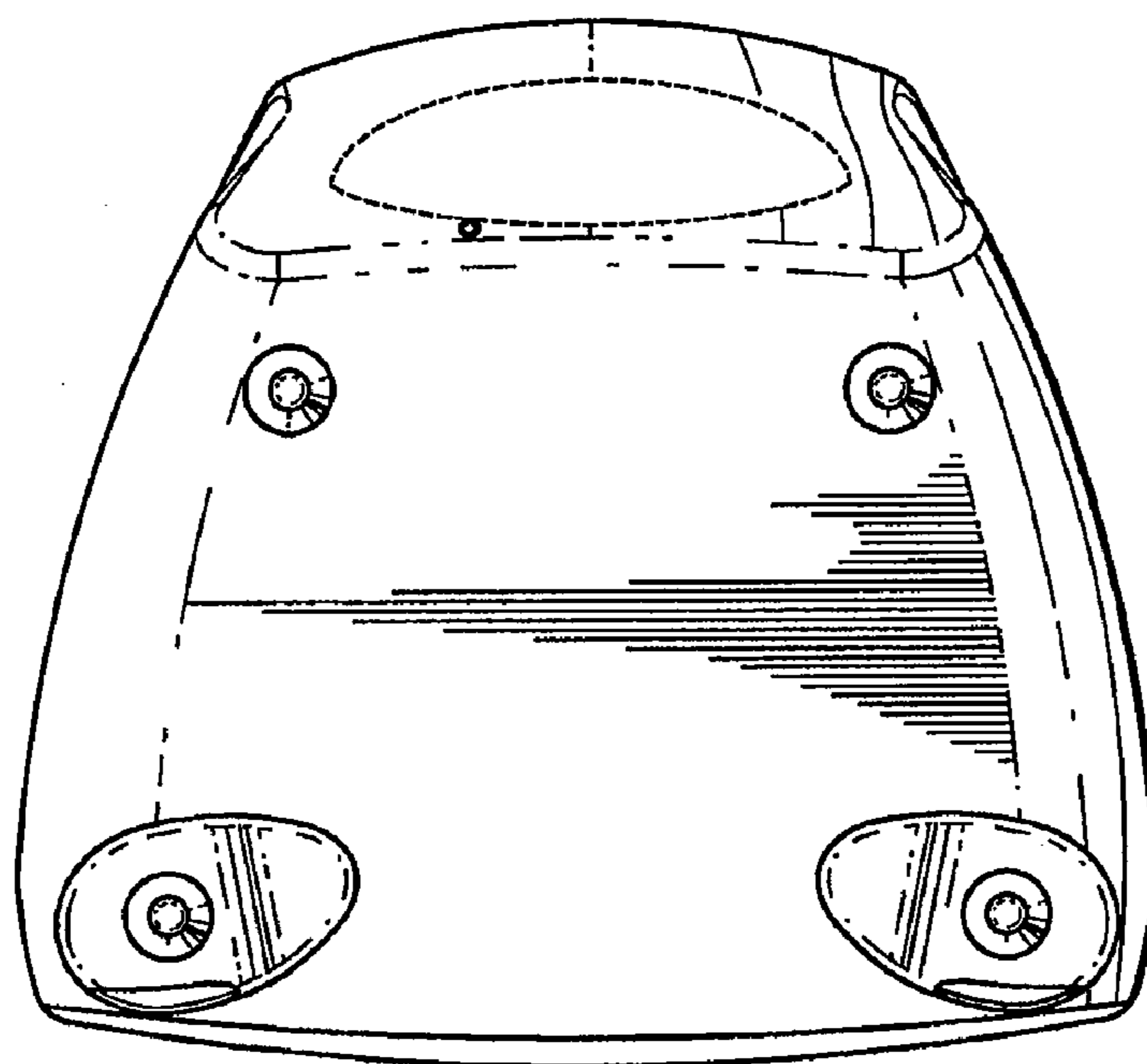


FIG. 19

FIG. 20

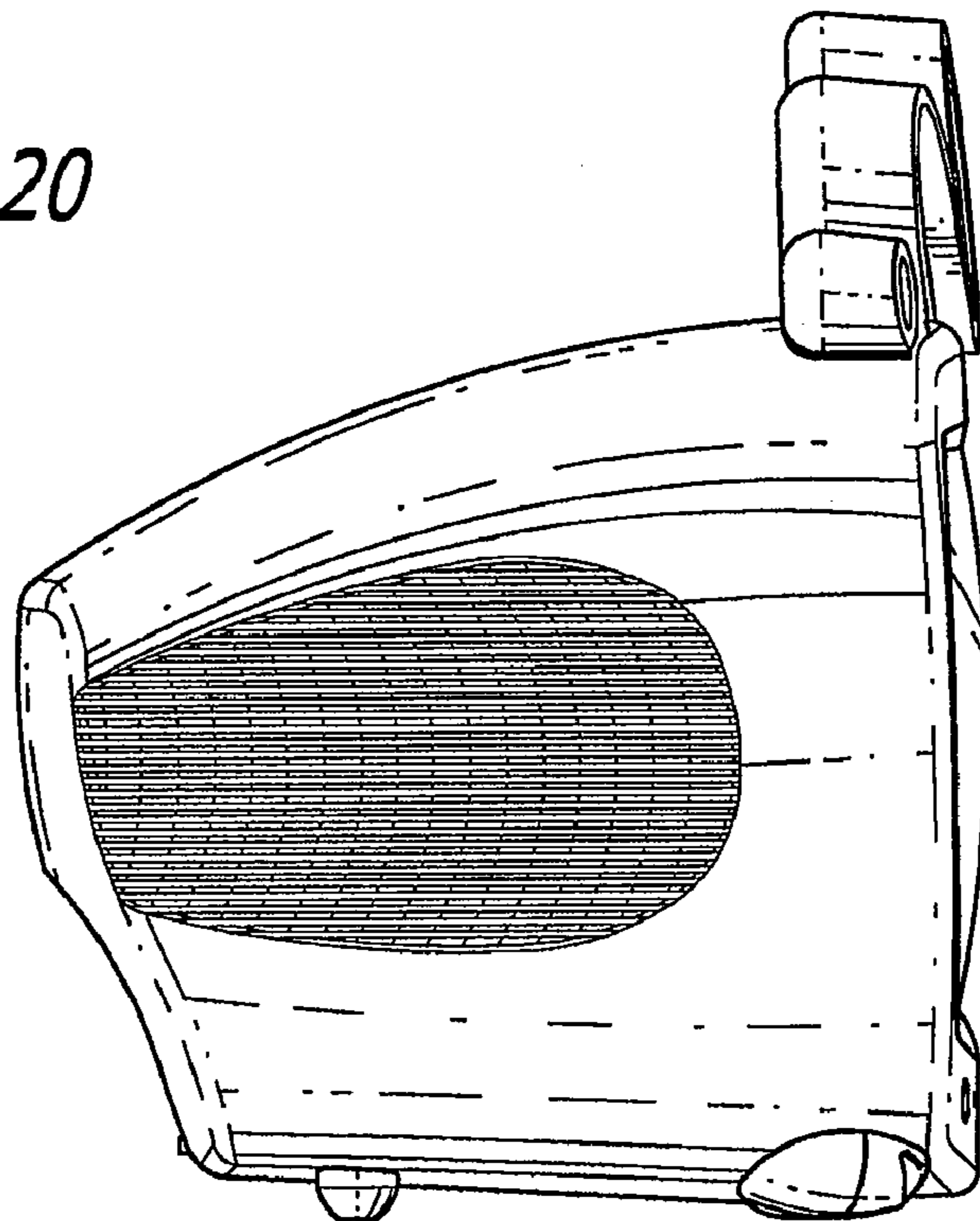
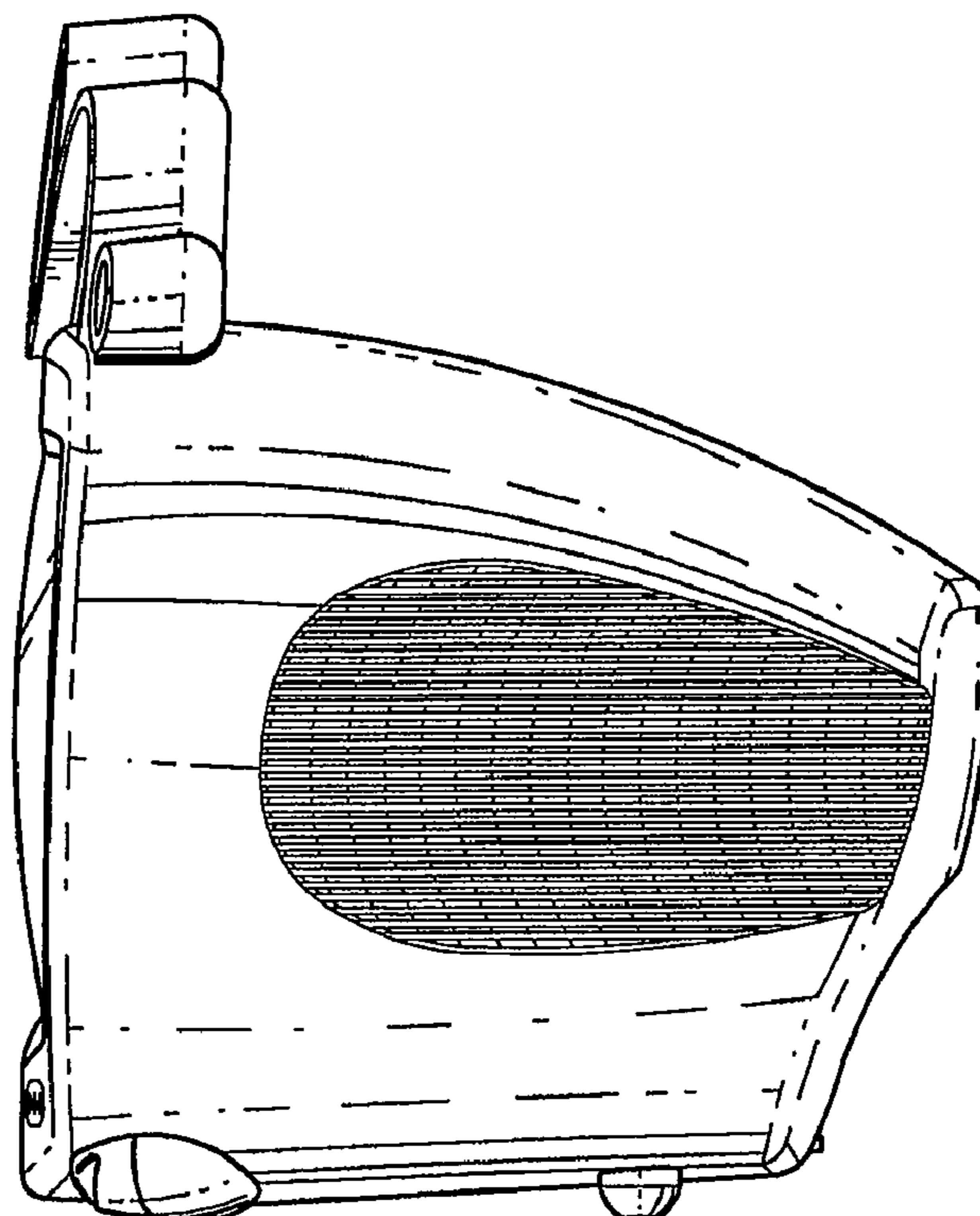


FIG. 21



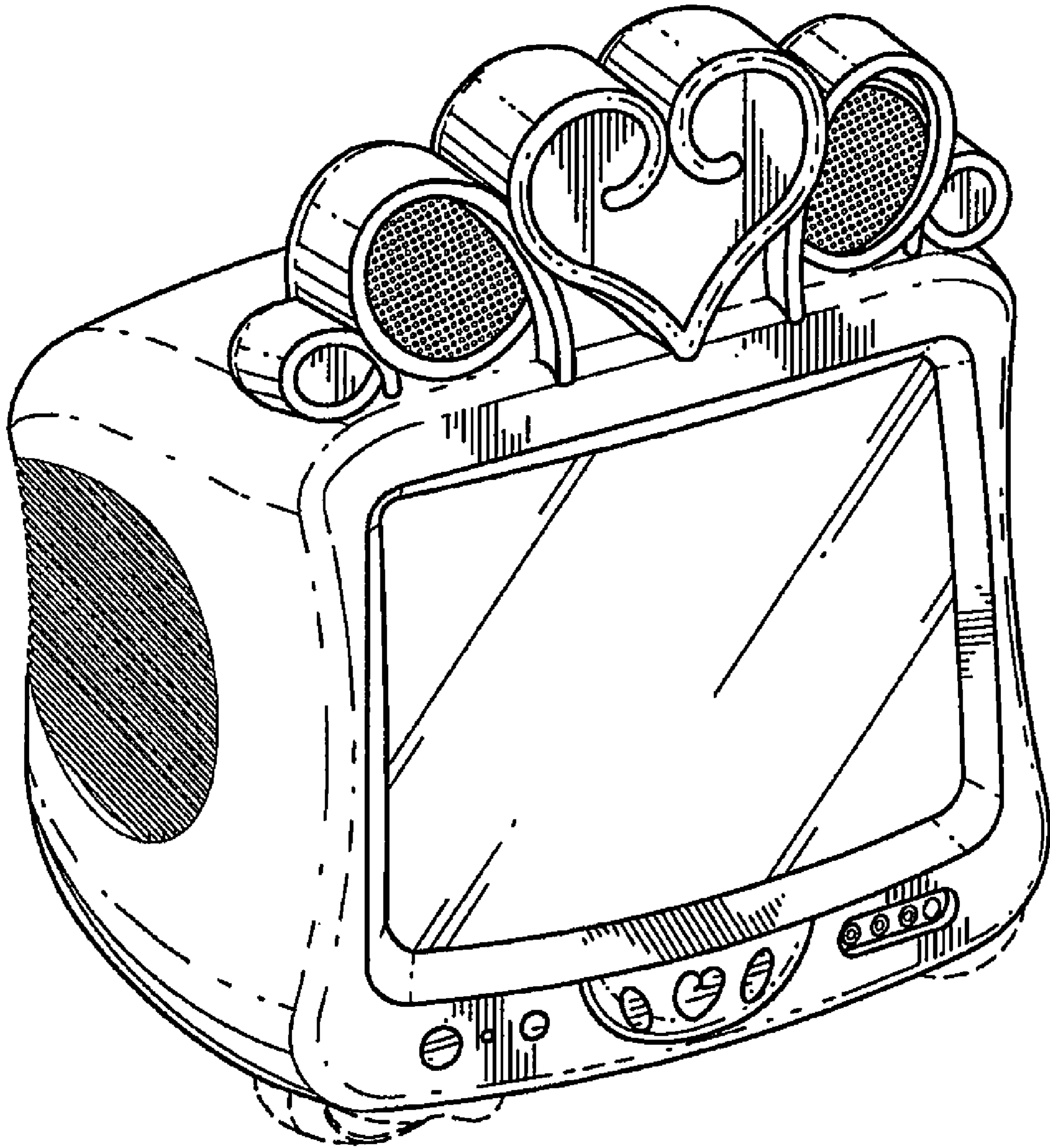


FIG. 22

FIG. 23

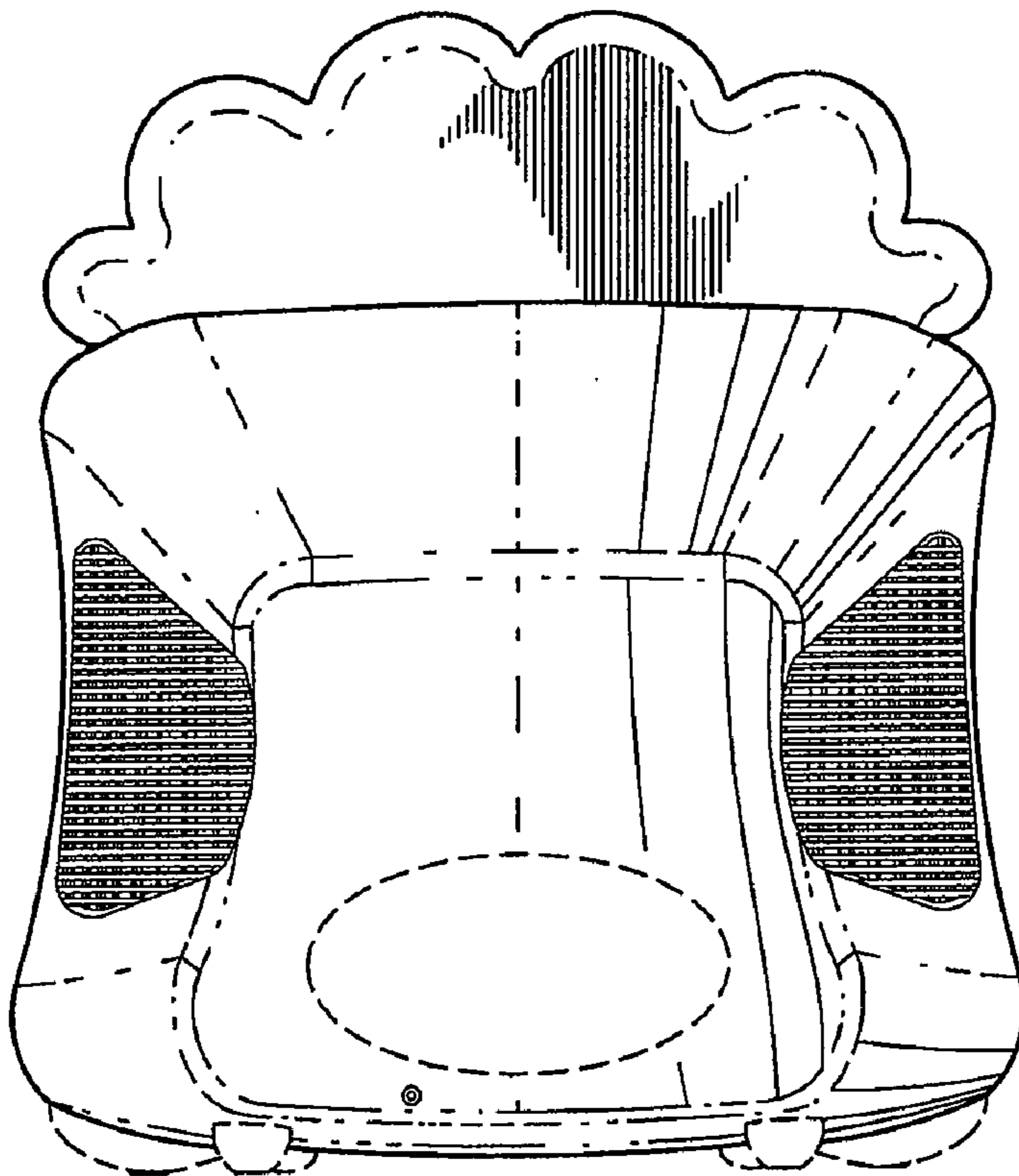
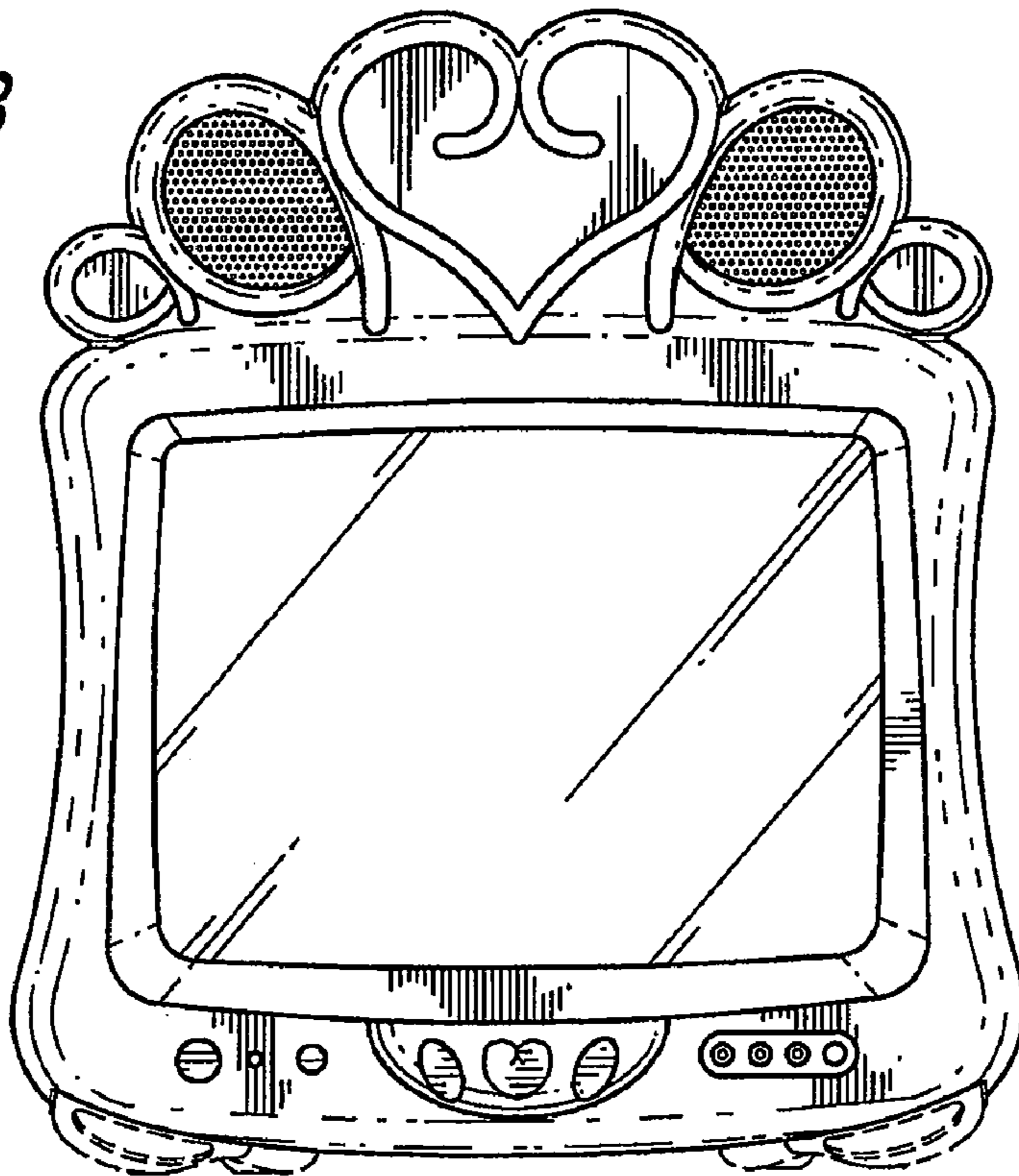


FIG. 24

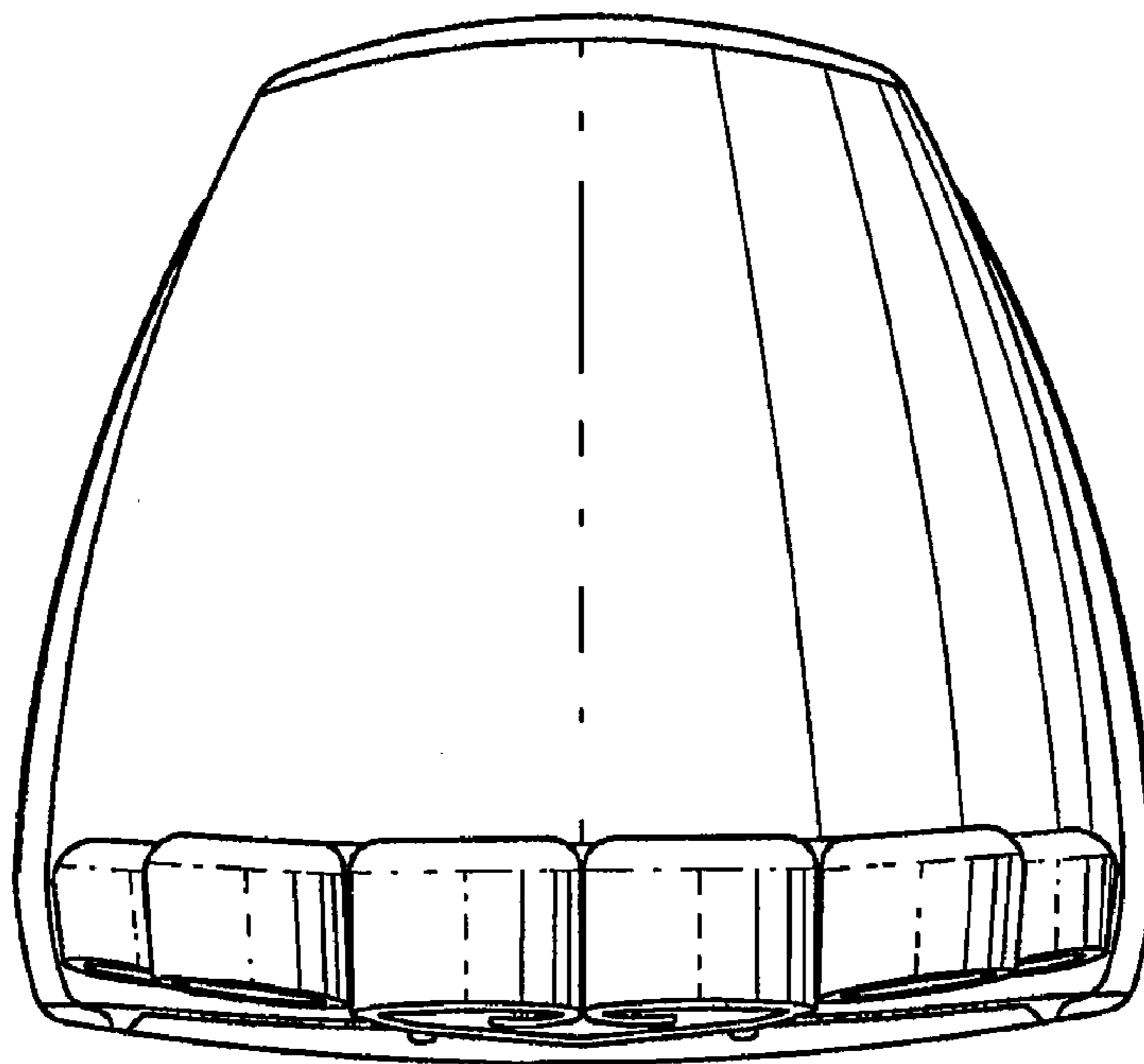


FIG. 25

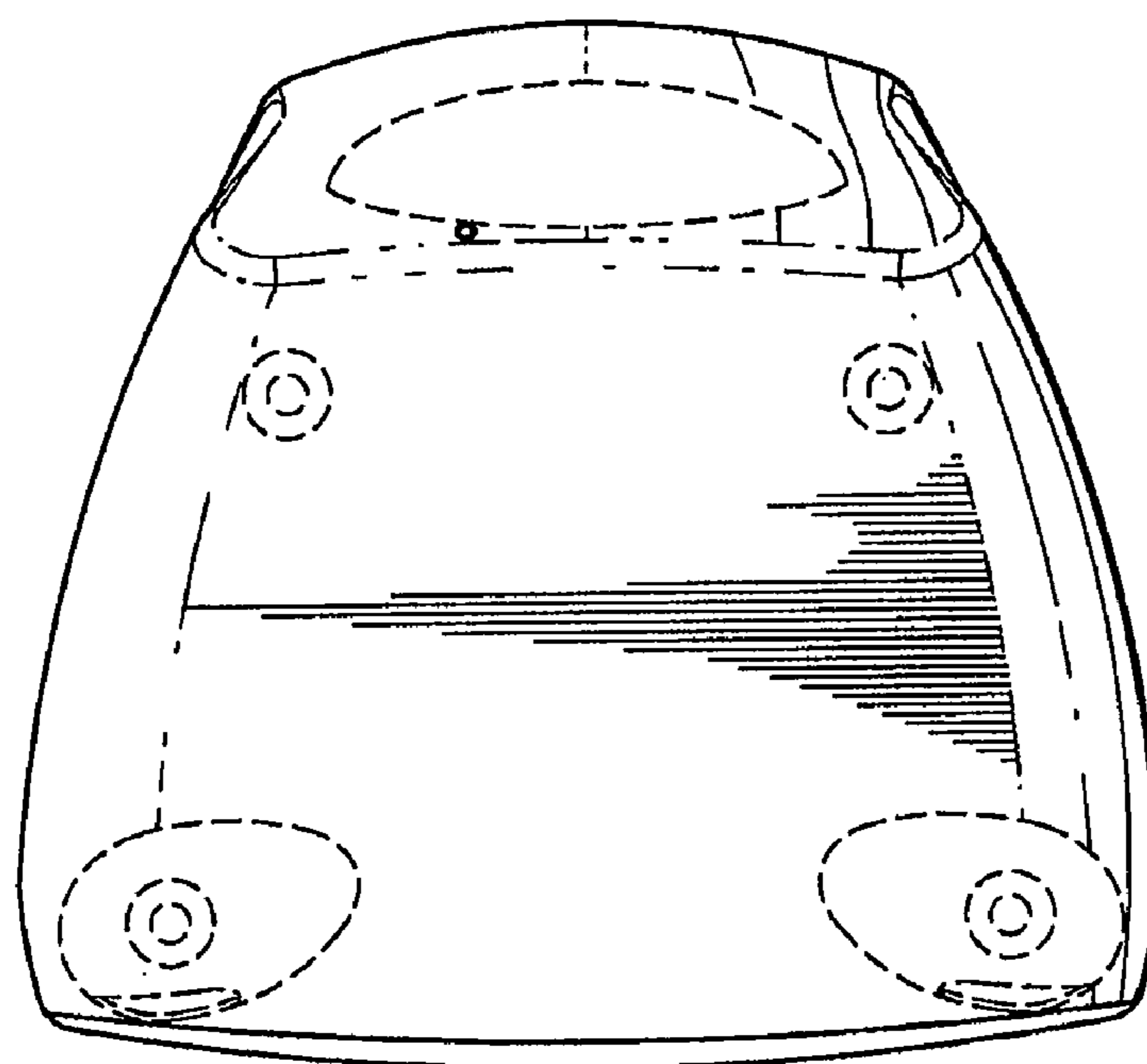


FIG. 26

FIG. 27

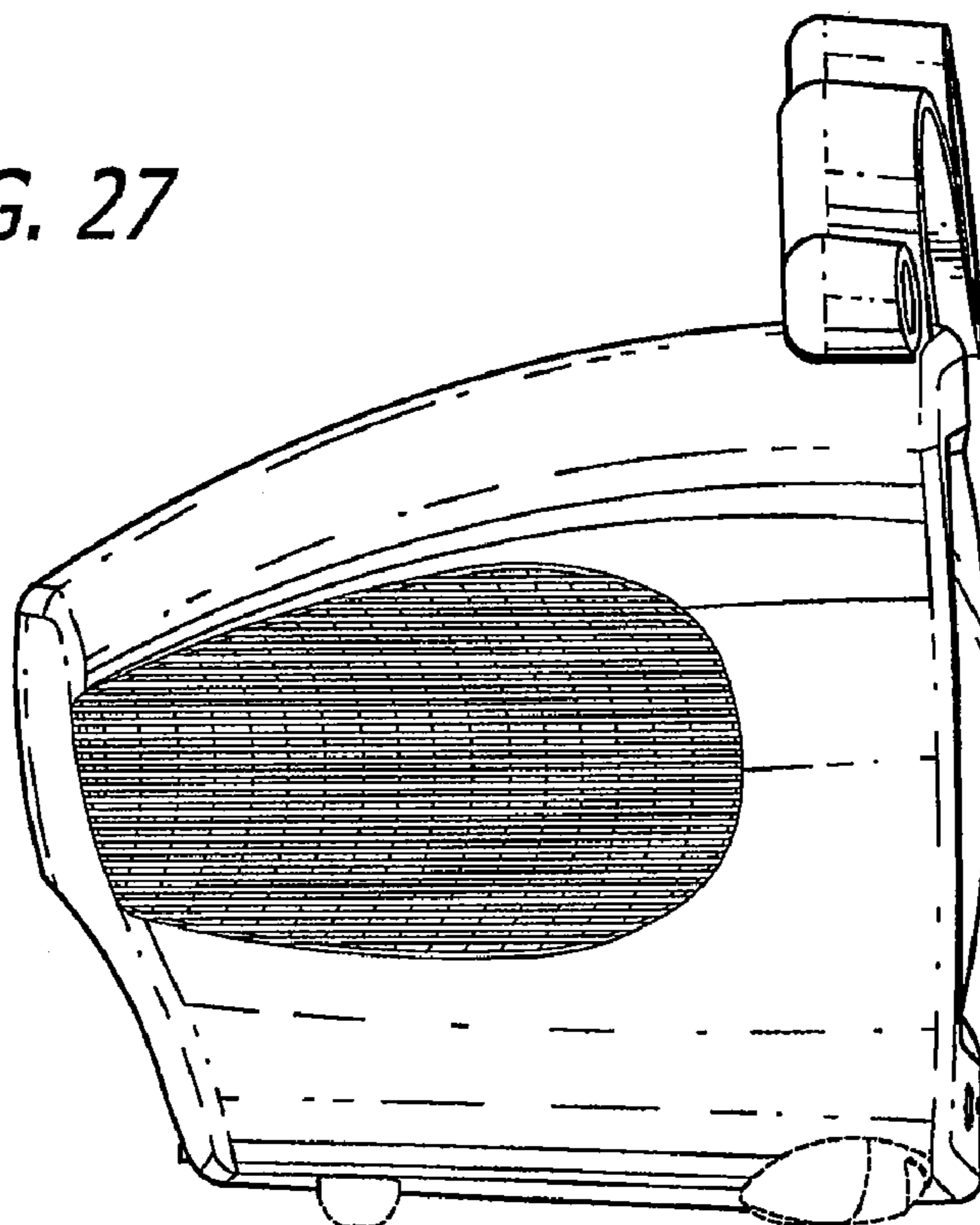


FIG. 28

