



US00D551633S

(12) **United States Design Patent** (10) **Patent No.:** **US D551,633 S**
O'Sullivan et al. (45) **Date of Patent:** **** Sep. 25, 2007**

(54) **HEAT SINK FINS**

(75) Inventors: **Michael O'Sullivan**, Naperville, IL (US); **Eric Lotter**, Bloomingdale, IL (US)

(73) Assignee: **Molex Incorporated**, Lisle, IL (US)

(**) Term: **14 Years**

(21) Appl. No.: **29/235,694**

(22) Filed: **Aug. 4, 2005**

(51) **LOC (8) Cl.** **13-03**

(52) **U.S. Cl.** **D13/179**

(58) **Field of Classification Search** D13/179; D23/370; 165/80.3, 104.33, 121, 122, 146, 165/180, 185; 174/16.3; 257/706, 707, 257/718-722; 361/271, 274.3, 695, 697, 361/700, 702, 704, 709-711

See application file for complete search history.

(56) **References Cited**

U.S. PATENT DOCUMENTS

- D453,744 S * 2/2002 Lee et al. D13/179
- D487,885 S * 3/2004 Fan D13/179
- 6,698,511 B2 * 3/2004 DiBene et al. 165/185
- 2001/0030039 A1 * 10/2001 Copeland et al. 165/104.26
- 2002/0056544 A1 * 5/2002 Azar 165/80.3
- 2003/0210525 A1 * 11/2003 Chung et al. 361/695

- 2004/0194924 A1 * 10/2004 Wong 165/80.3
- 2005/0103476 A1 * 5/2005 Chen et al. 165/104.33
- 2006/0028798 A1 * 2/2006 Wang 361/697
- 2006/0054307 A1 * 3/2006 Lee et al. 165/80.3
- 2006/0067050 A1 * 3/2006 Li et al. 361/697

* cited by examiner

Primary Examiner—Selina Sikder

(74) *Attorney, Agent, or Firm*—Robert J. Zeitler

(57) **CLAIM**

The ornamental design for heat sink fins, as shown and described.

DESCRIPTION

FIG. 1 is a side perspective view of the heat sink fins showing our new design;

FIG. 2 is a side perspective view thereof, opposite of that shown in FIG. 1;

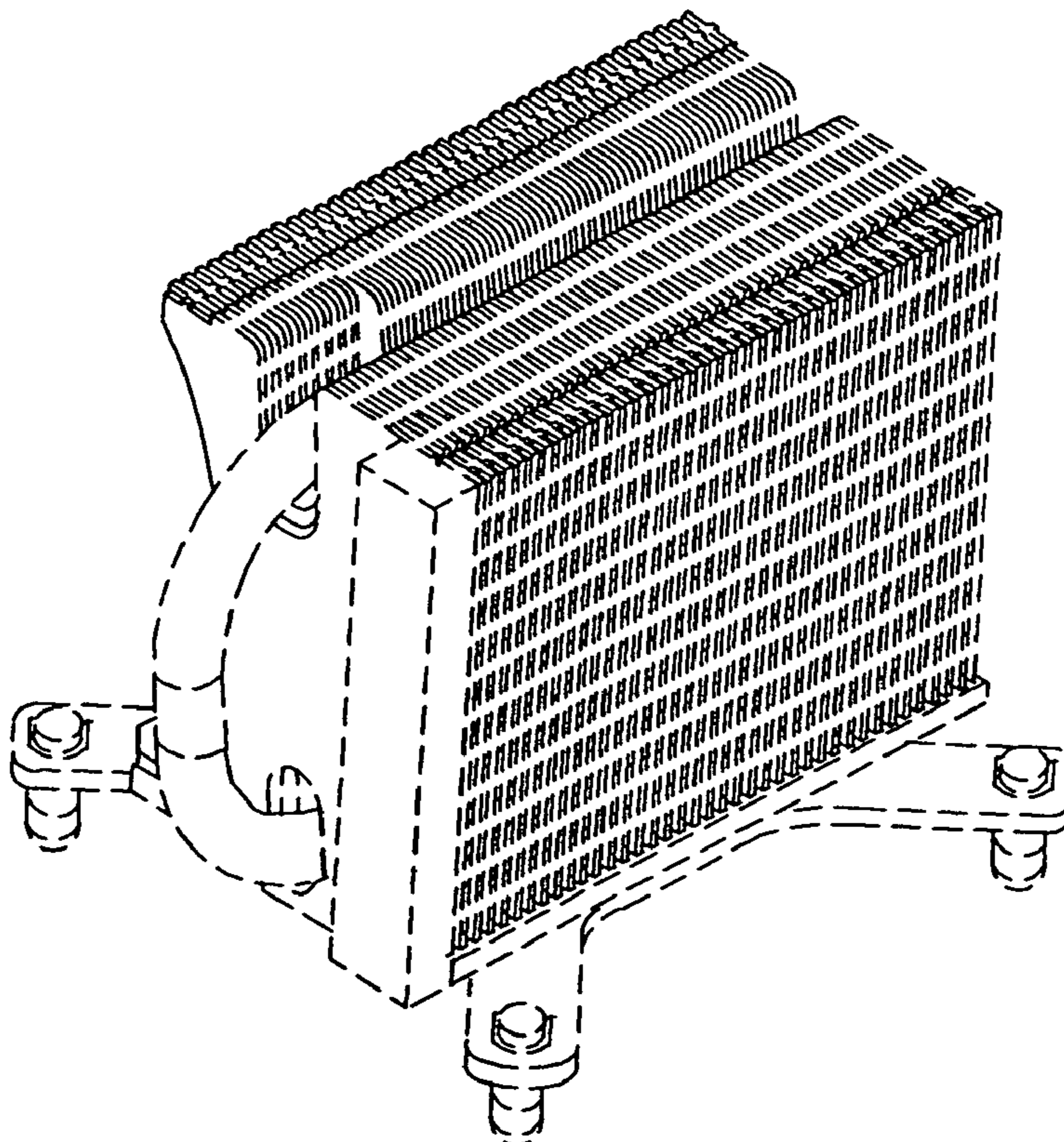
FIG. 3 is an end view thereof;

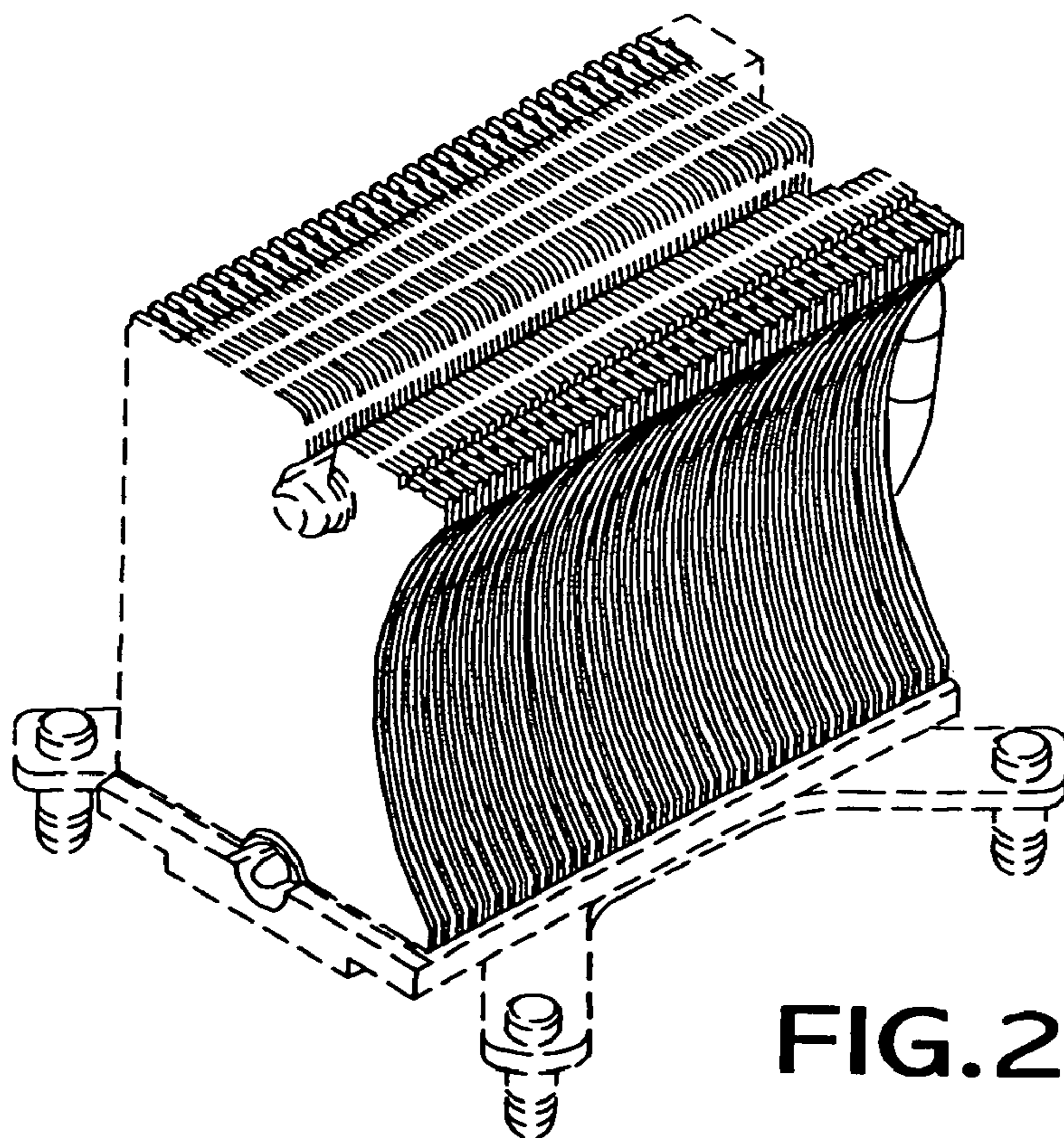
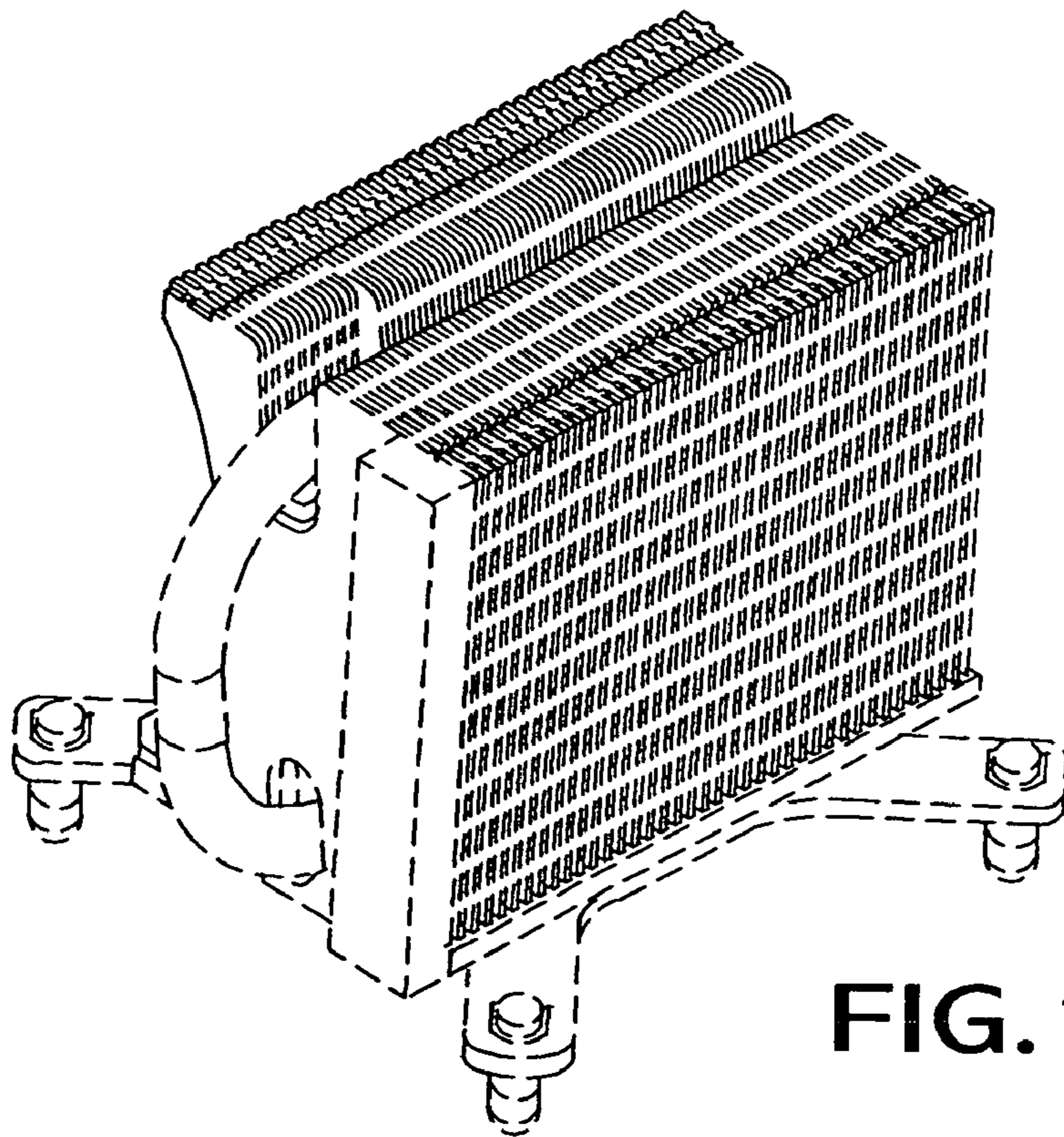
FIG. 4 is an end view thereof, opposite of that shown in FIG. 3; and,

FIG. 5 is a bottom view thereof.

The portions shown in phantom lines are for showing environment only and do not form any part of the claimed design.

1 Claim, 2 Drawing Sheets





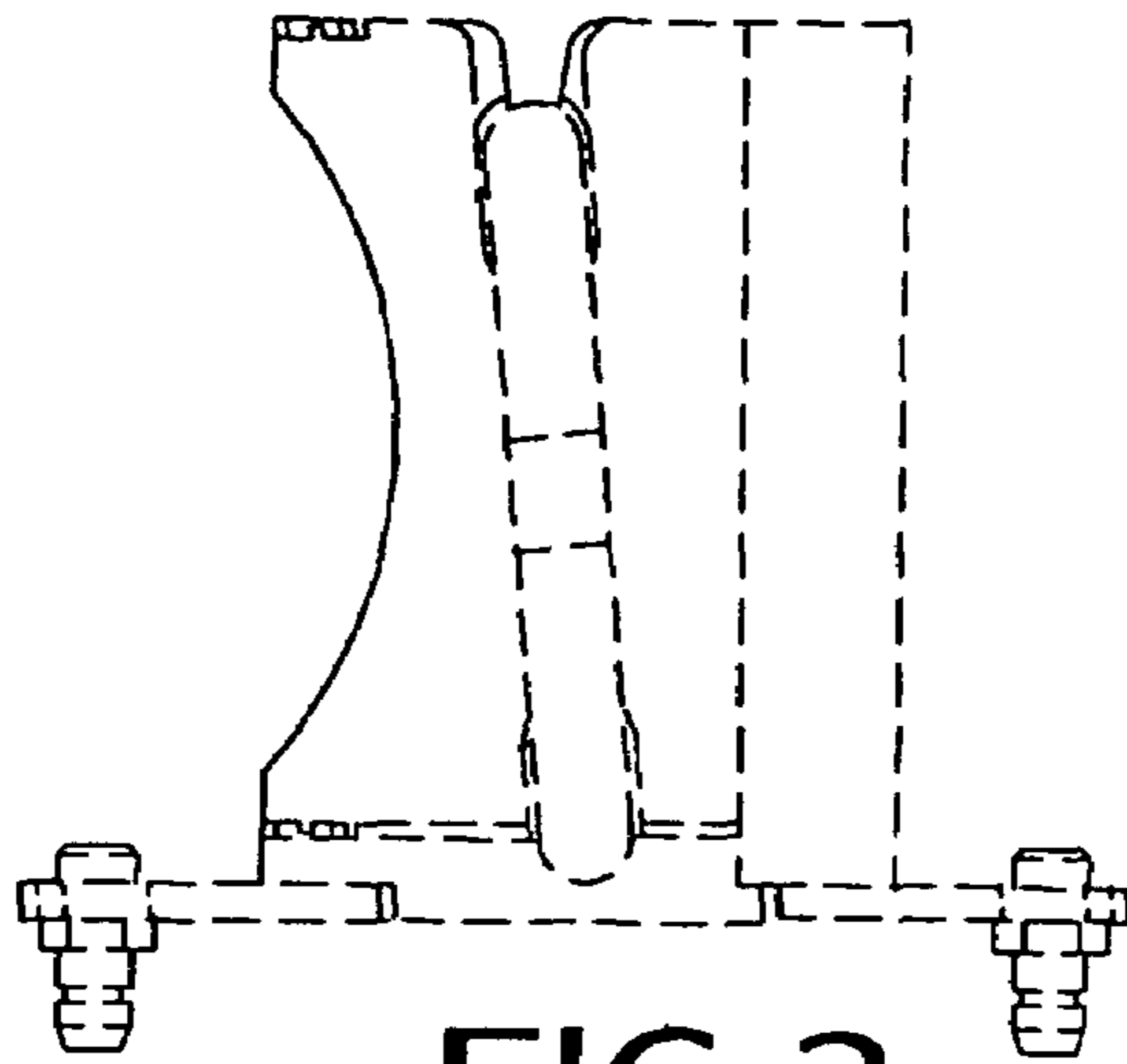


FIG. 3

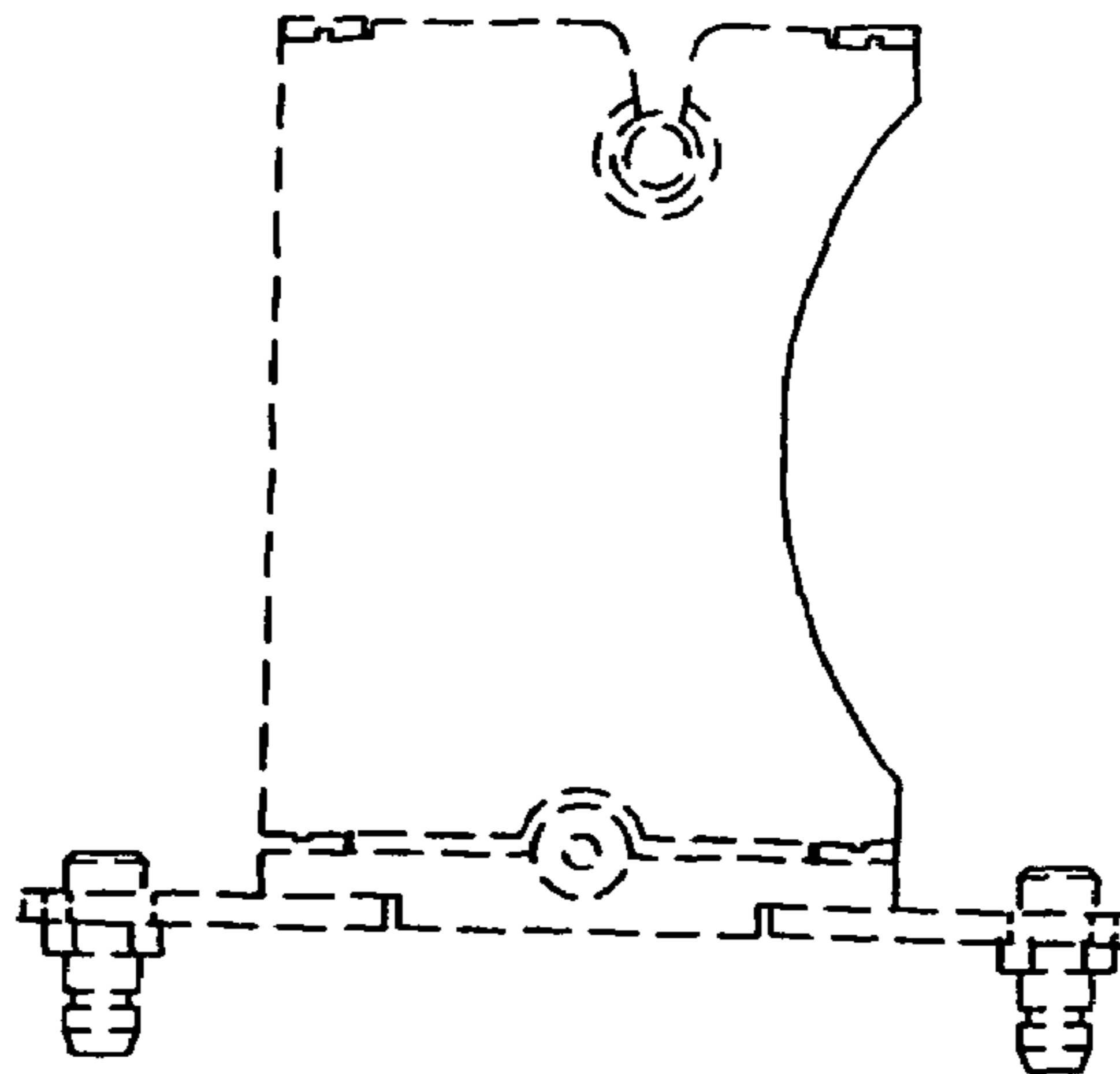


FIG. 4

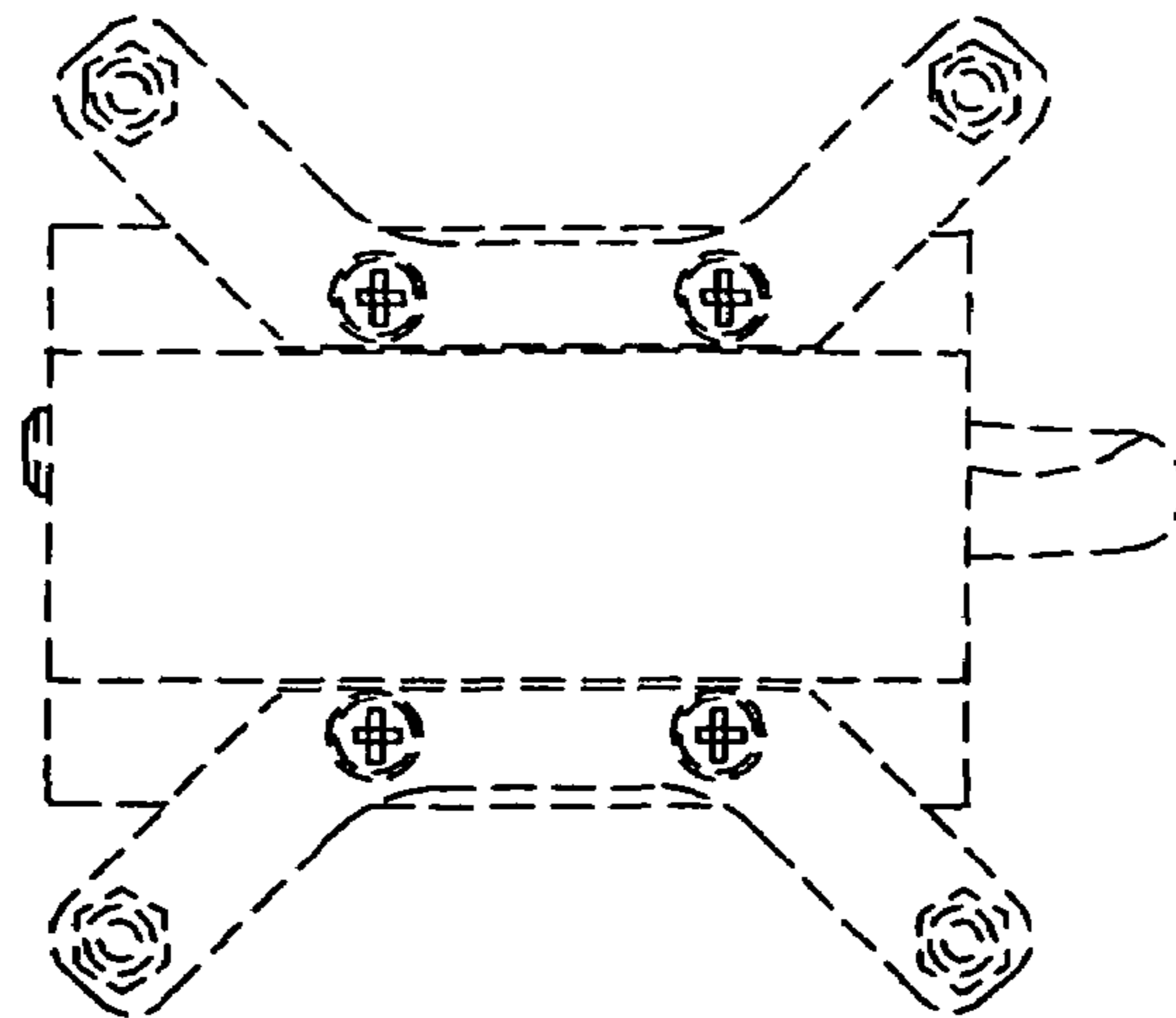


FIG. 5