



US00D551626S

(12) **United States Design Patent**  
**Ho et al.**

(10) **Patent No.:** **US D551,626 S**

(45) **Date of Patent:** **\*\* Sep. 25, 2007**

(54) **USB CONNECTOR**

(75) Inventors: **Hsin Tsung Ho**, Tu-Cheng (TW); **Yu Hung Su**, Tu-Cheng (TW); **Chung Tsin Huang**, Tu-Cheng (TW); **Mei Chuan Yang**, Tu-Cheng (TW)

(73) Assignee: **Cheng Uei Precision Industry Co., Ltd.**, Taipei Hsien (TW)

(\*\*) Term: **14 Years**

(21) Appl. No.: **29/266,371**

(22) Filed: **Sep. 20, 2006**

(51) **LOC (8) Cl.** ..... **13-03**

(52) **U.S. Cl.** ..... **D13/147**

(58) **Field of Classification Search** ..... D13/123,  
D13/133, 146-147, 154, 184, 199; D14/356,  
D14/432, 433, 435, 438; 439/350, 352, 357-358,  
439/606-610, 660, 677, 680-682, 686, 936  
See application file for complete search history.

(56) **References Cited**

**U.S. PATENT DOCUMENTS**

D416,540 S \* 11/1999 Sato et al. .... D13/147

D452,217 S \* 12/2001 Shimojyo ..... D13/147  
D491,894 S \* 6/2004 Jiang ..... D13/147  
D516,030 S \* 2/2006 Han et al. .... D13/147  
D516,032 S \* 2/2006 Suckle et al. .... D13/147  
D531,581 S \* 11/2006 Wang et al. .... D13/147

\* cited by examiner

*Primary Examiner*—Daniel Bui

(74) *Attorney, Agent, or Firm*—Rosenberg, Klein & Lee

(57) **CLAIM**

The ornamental design for a USB connector, as shown and described.

**DESCRIPTION**

FIG. 1 is a front, top and right side perspective view of a USB connector, showing our new design;

FIG. 2 is a front elevational view thereof;

FIG. 3 is a rear elevational view thereof;

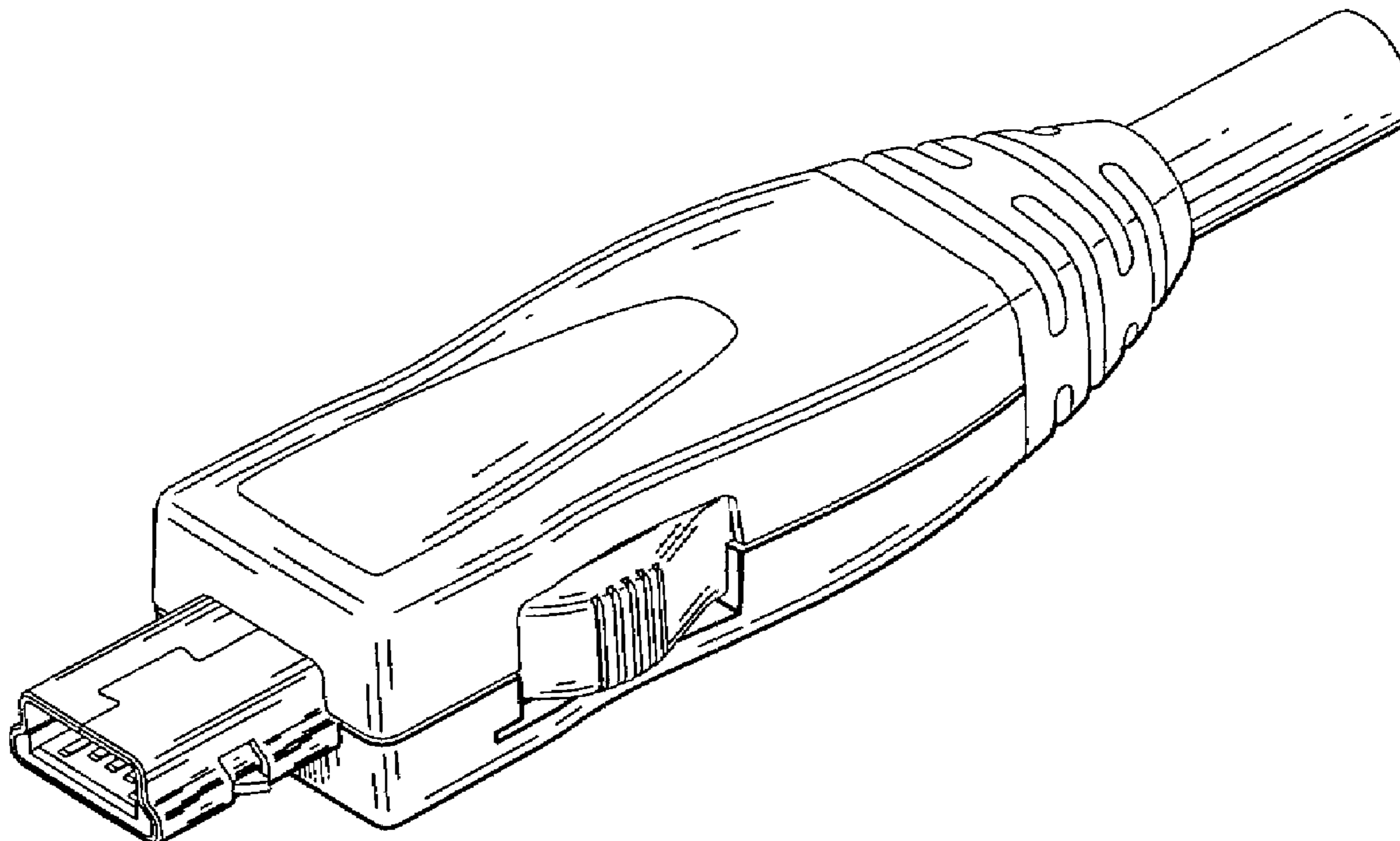
FIG. 4 is a left side elevational view thereof;

FIG. 5 is a right side elevational view thereof;

FIG. 6 is a top plan view thereof; and,

FIG. 7 is a bottom plan view thereof.

**1 Claim, 7 Drawing Sheets**



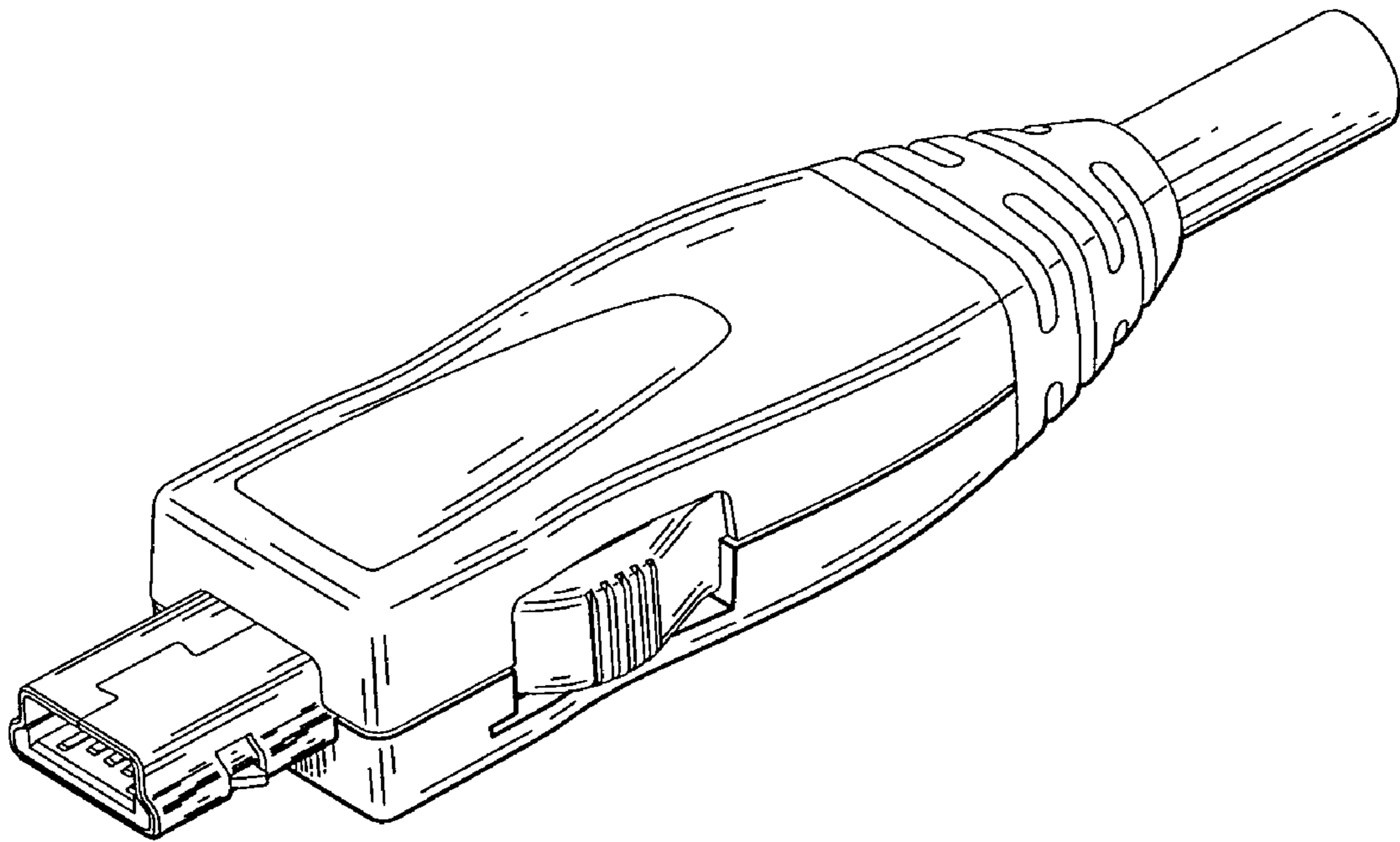


FIG. 1

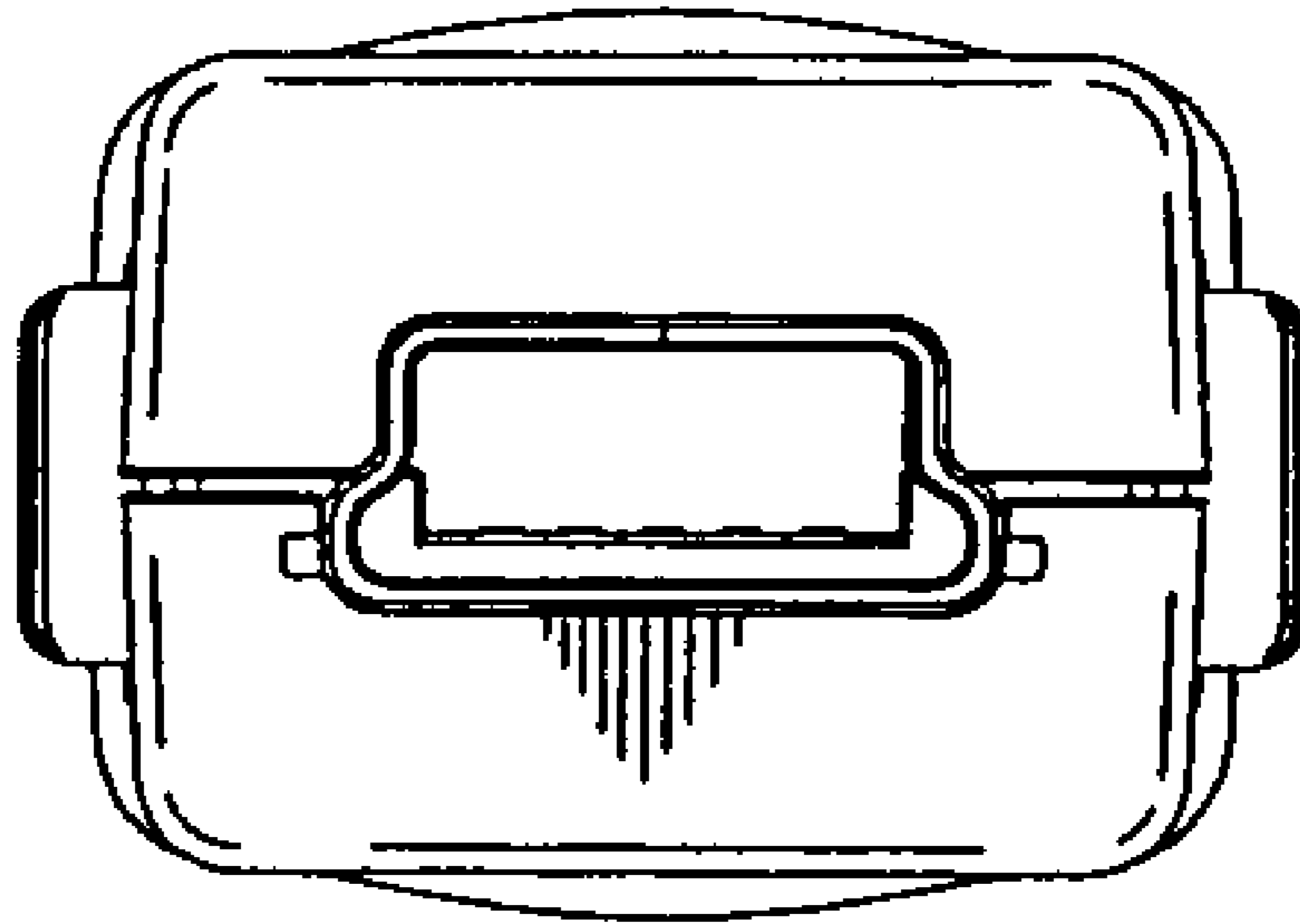


FIG. 2

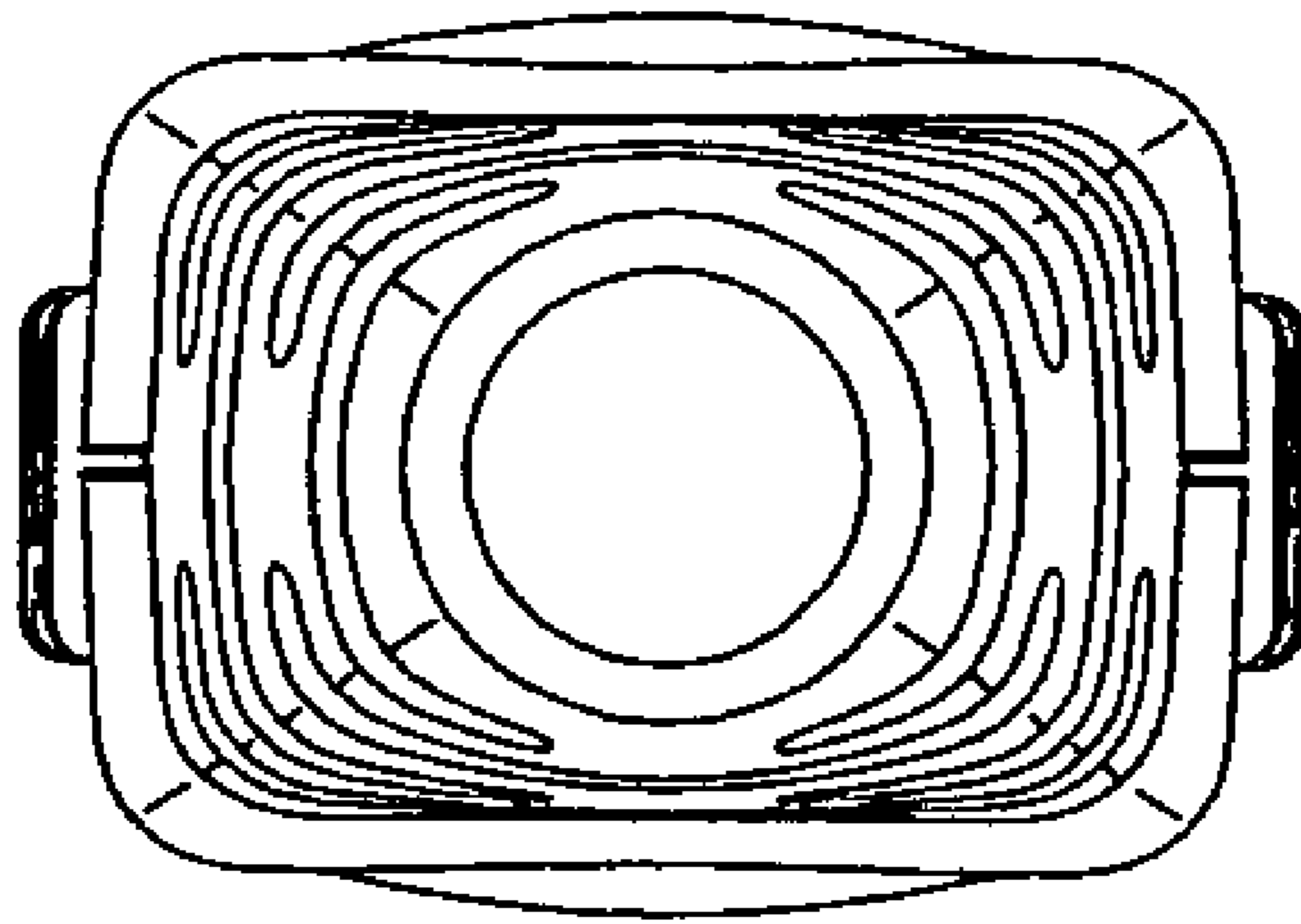


FIG. 3

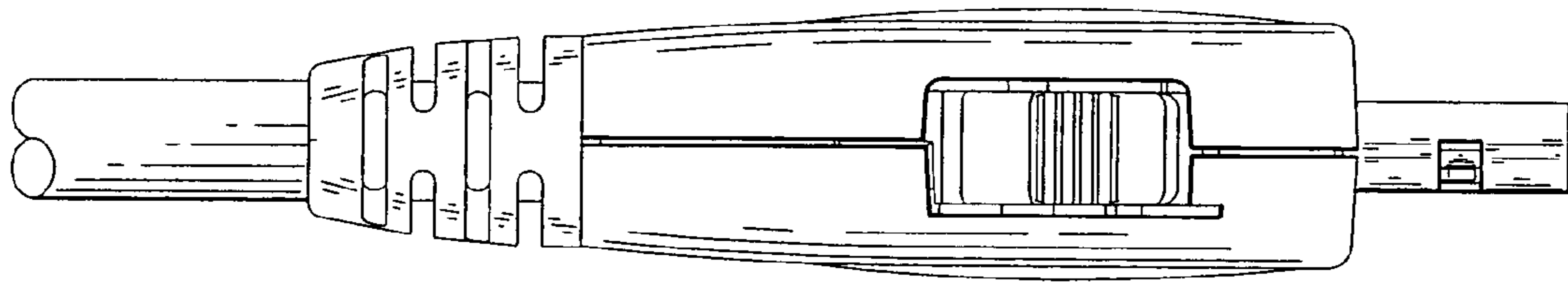


FIG. 4

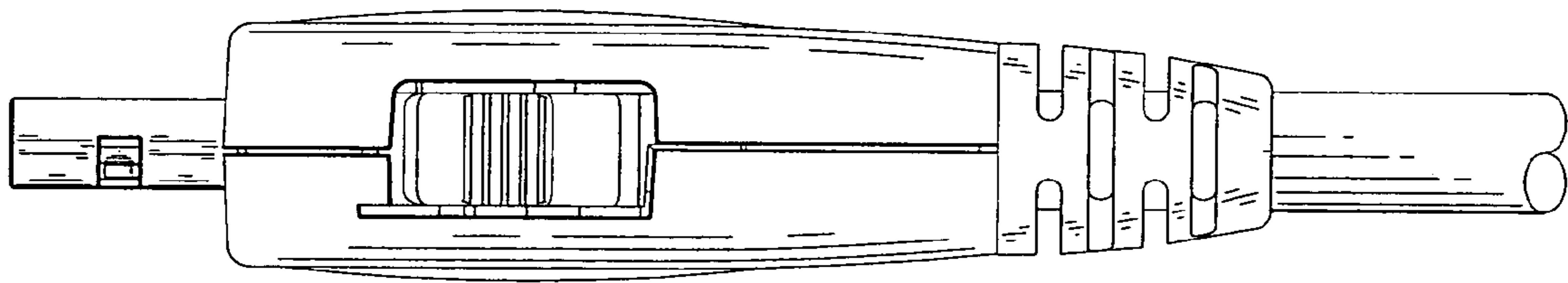


FIG. 5

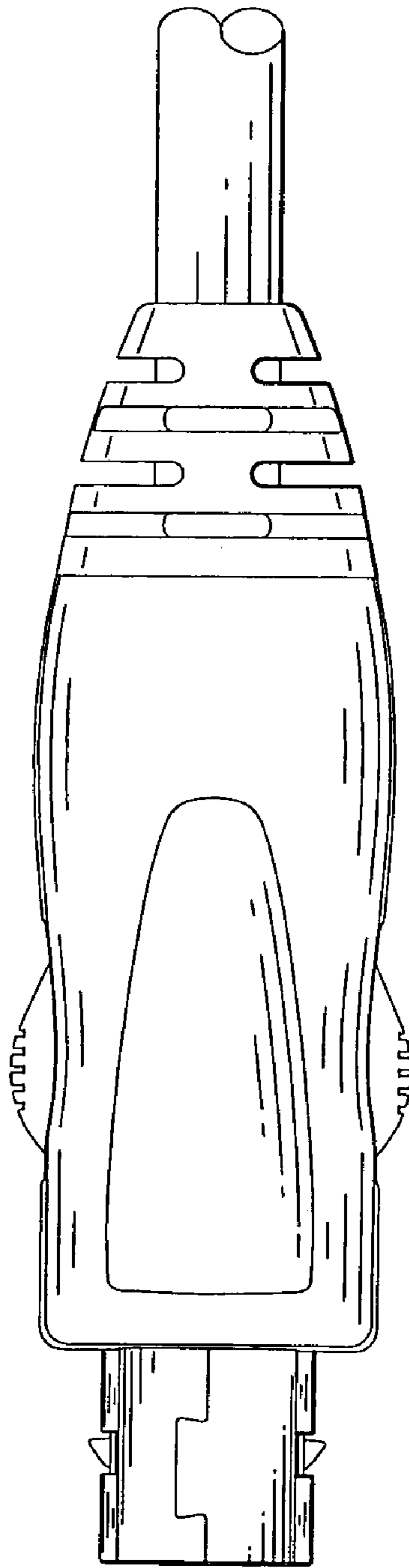


FIG. 6

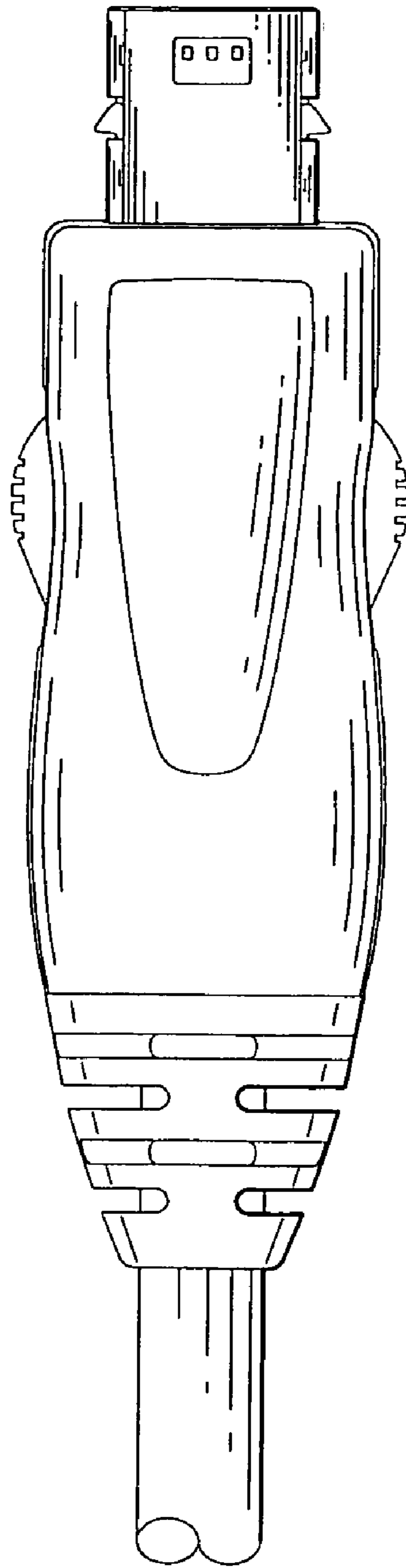


FIG. 7