



US00D551624S

(12) **United States Design Patent**
Ciancanelli et al.

(10) **Patent No.:** **US D551,624 S**

(45) **Date of Patent:** **** Sep. 25, 2007**

(54) **ASYMMETRICAL STEPPED SOCKET ELECTRICAL CONNECTOR**

D330,336 S * 10/1992 Baarman D10/49
6,163,102 A * 12/2000 Tucker et al. 313/113
6,884,103 B1 * 4/2005 Kovacs 439/336

(75) Inventors: **Gino J. Ciancanelli**, Southbury, CT (US); **Betty Jean Zayas**, Bridgeport, CT (US)

* cited by examiner

Primary Examiner—Daniel Bui
(74) *Attorney, Agent, or Firm*—Cantor Colburn LLP

(73) Assignee: **LightSources Inc.**, Orange, CT (US)

(**) Term: **14 Years**

(57) **CLAIM**

(21) Appl. No.: **29/266,716**

The ornamental design for an asymmetrical stepped socket electrical connector, as shown and described.

(22) Filed: **Sep. 26, 2006**

DESCRIPTION

(51) **LOC (8) Cl.** **13-03**

FIG. 1 is a top, front and right side perspective view of an asymmetrical stepped socket electrical connector, showing our new design;

(52) **U.S. Cl.** **D13/136; D13/134**

(58) **Field of Classification Search** D13/133–136, D13/154, 184, 199; D26/24, 113; 313/318.01, 313/318.02, 318.03, 318.05, 318.12; 362/260, 362/581; 439/168, 220, 226, 232, 280, 336, 439/419, 602

FIG. 2 is a top, rear and left side perspective view thereof;
FIG. 3 is a right side elevation view thereof;
FIG. 4 is a left side elevation view thereof;
FIG. 5 is a top plan view thereof;
FIG. 6 is a bottom plan view thereof;
FIG. 7 is a front elevation view thereof; and,
FIG. 8 is a rear elevation view thereof.

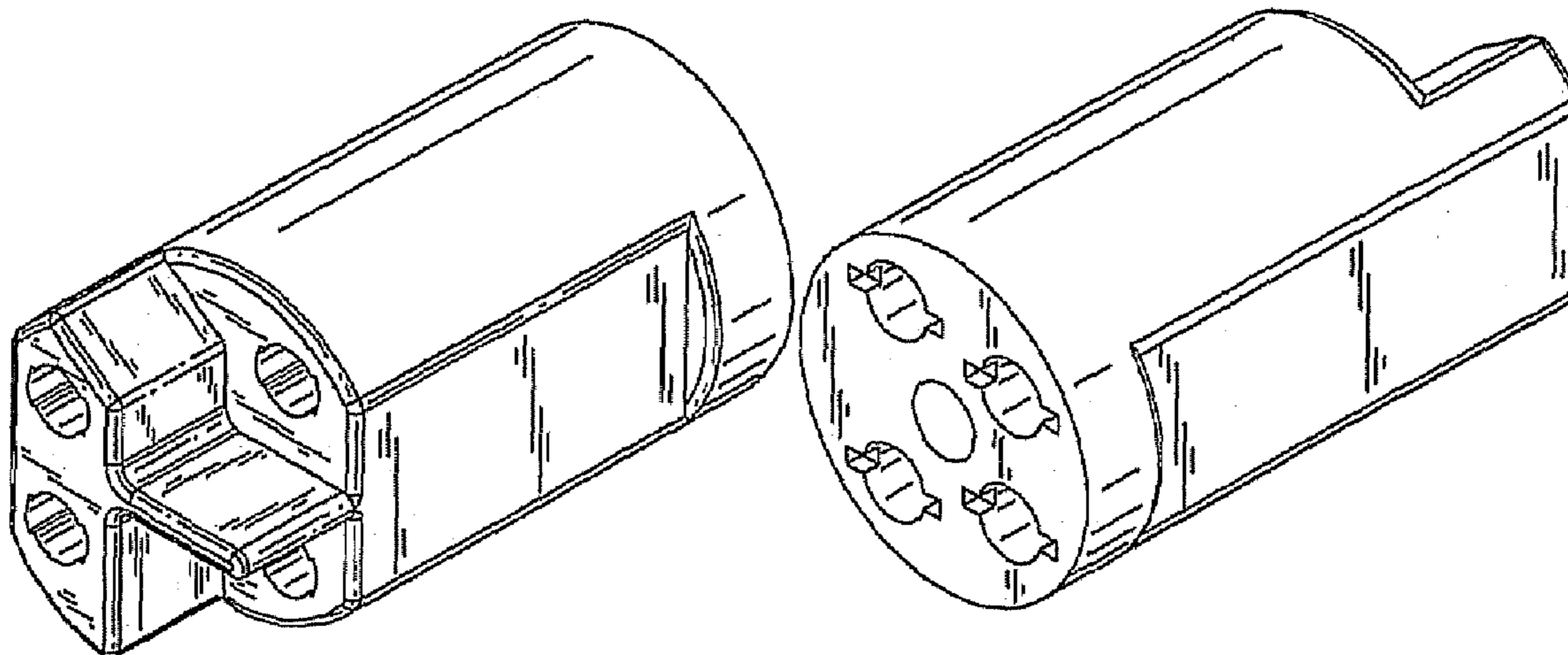
See application file for complete search history.

(56) **References Cited**

U.S. PATENT DOCUMENTS

2,690,522 A * 9/1954 Baker 313/258
D209,054 S * 10/1967 Baiman et al. D13/125
D210,210 S * 2/1968 Braiman D13/125

1 Claim, 1 Drawing Sheet



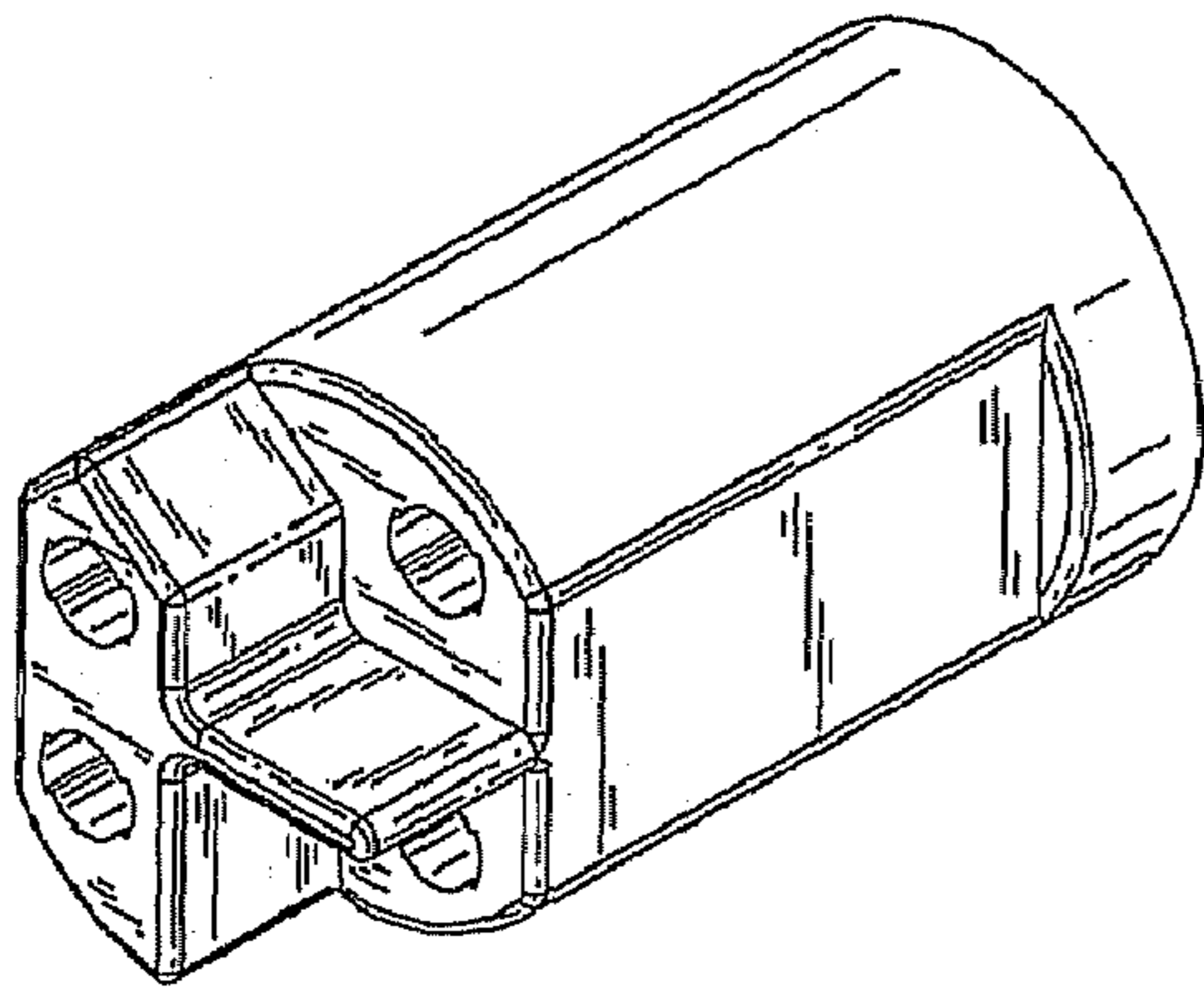


FIG. 1

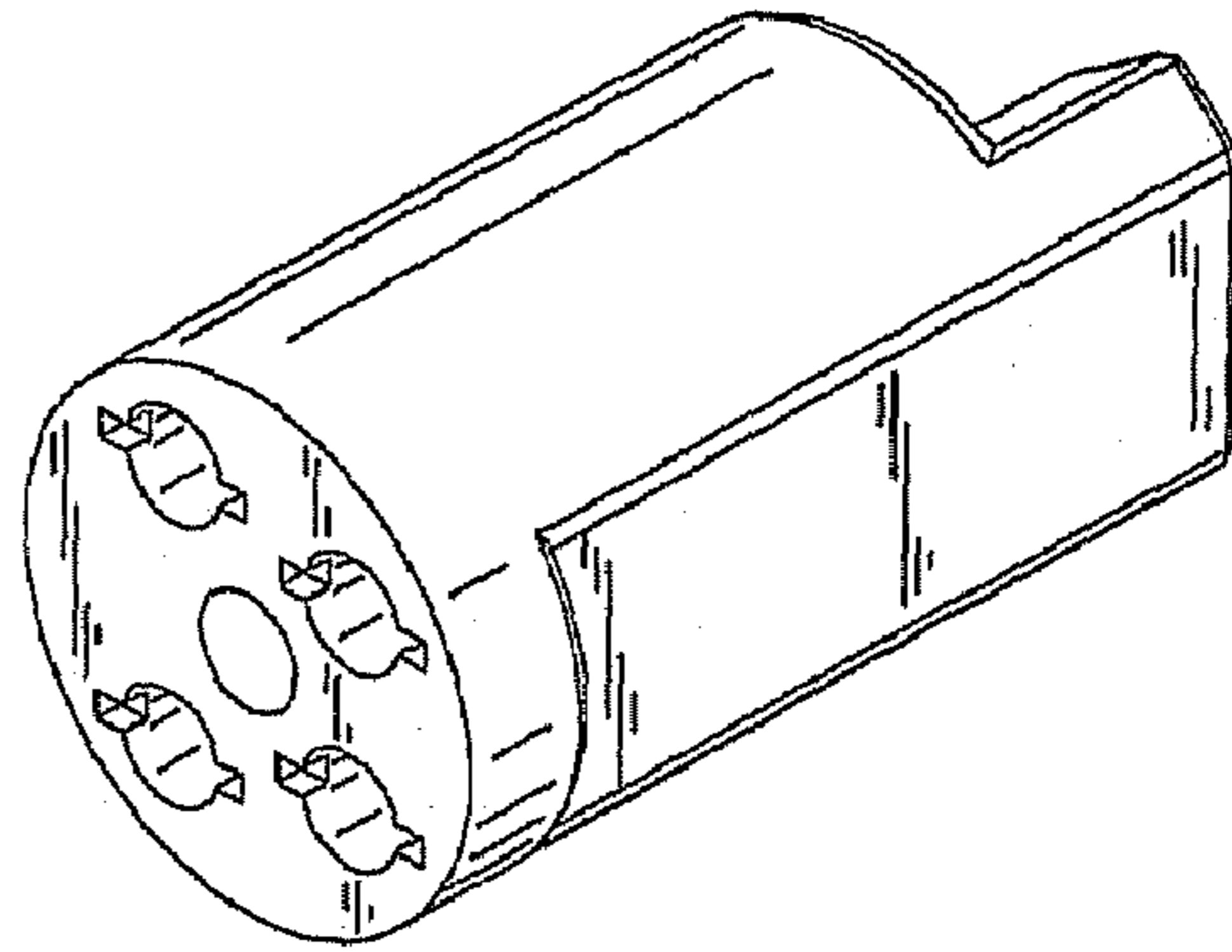


FIG. 2

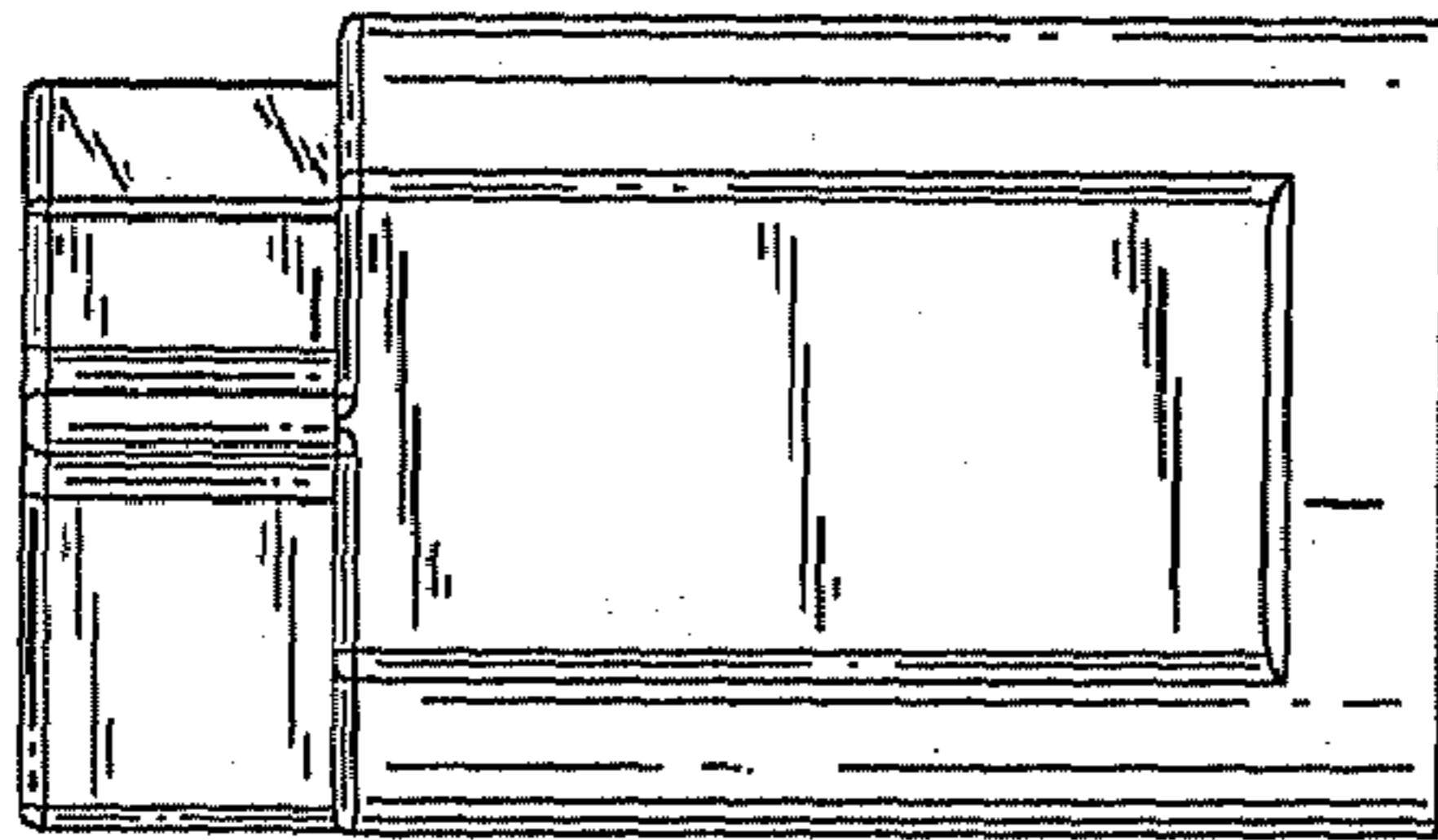


FIG. 3

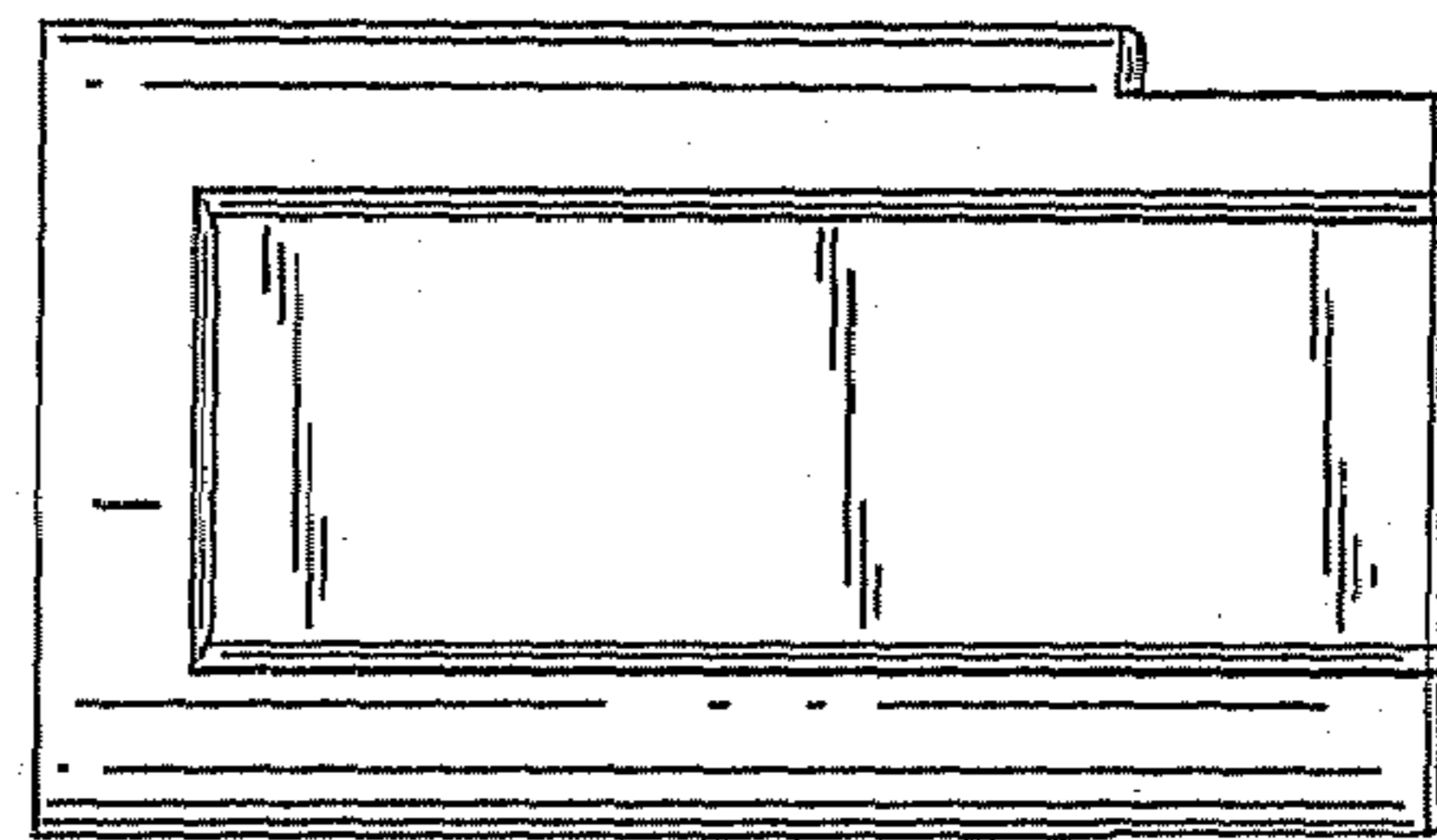


FIG. 4

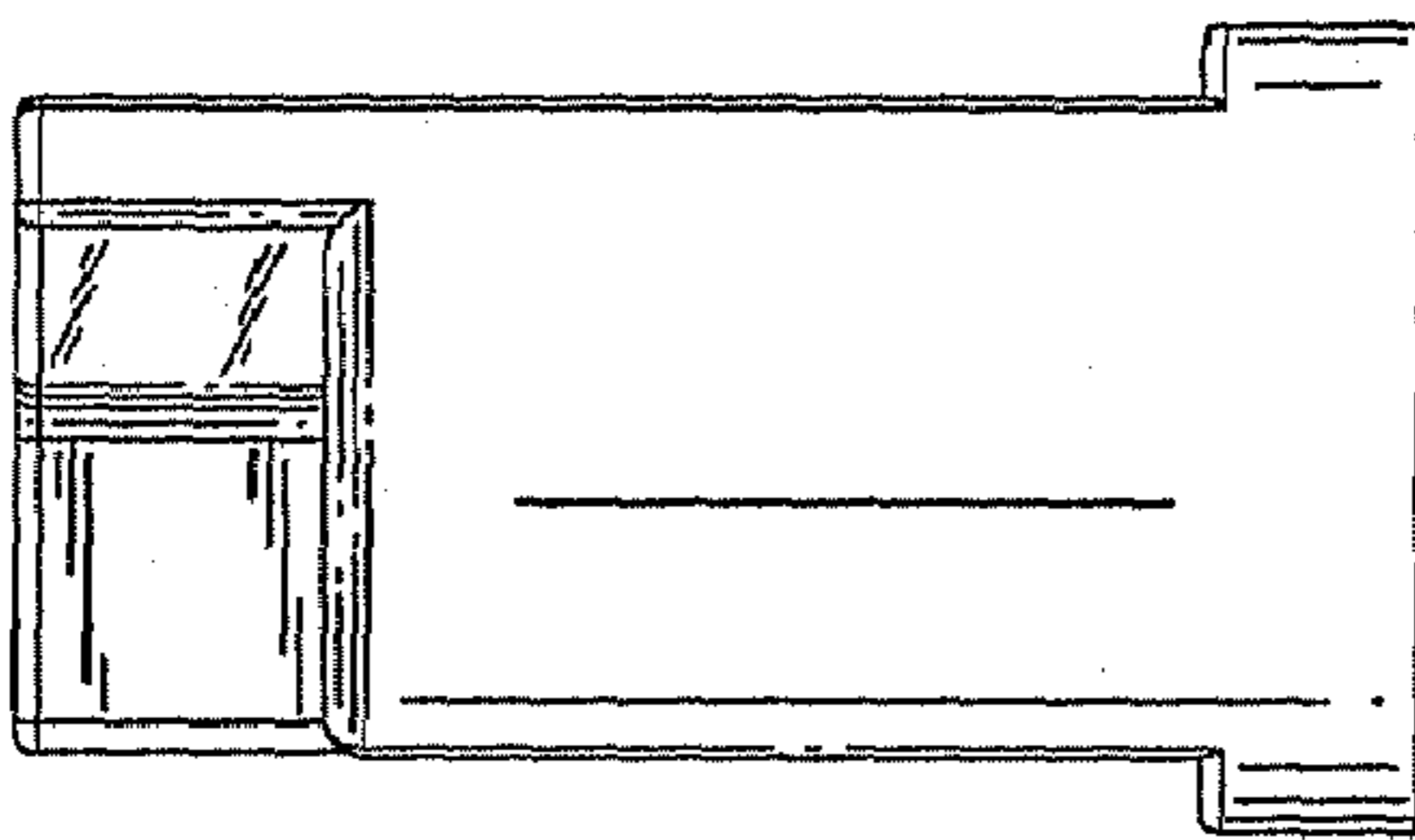


FIG. 5

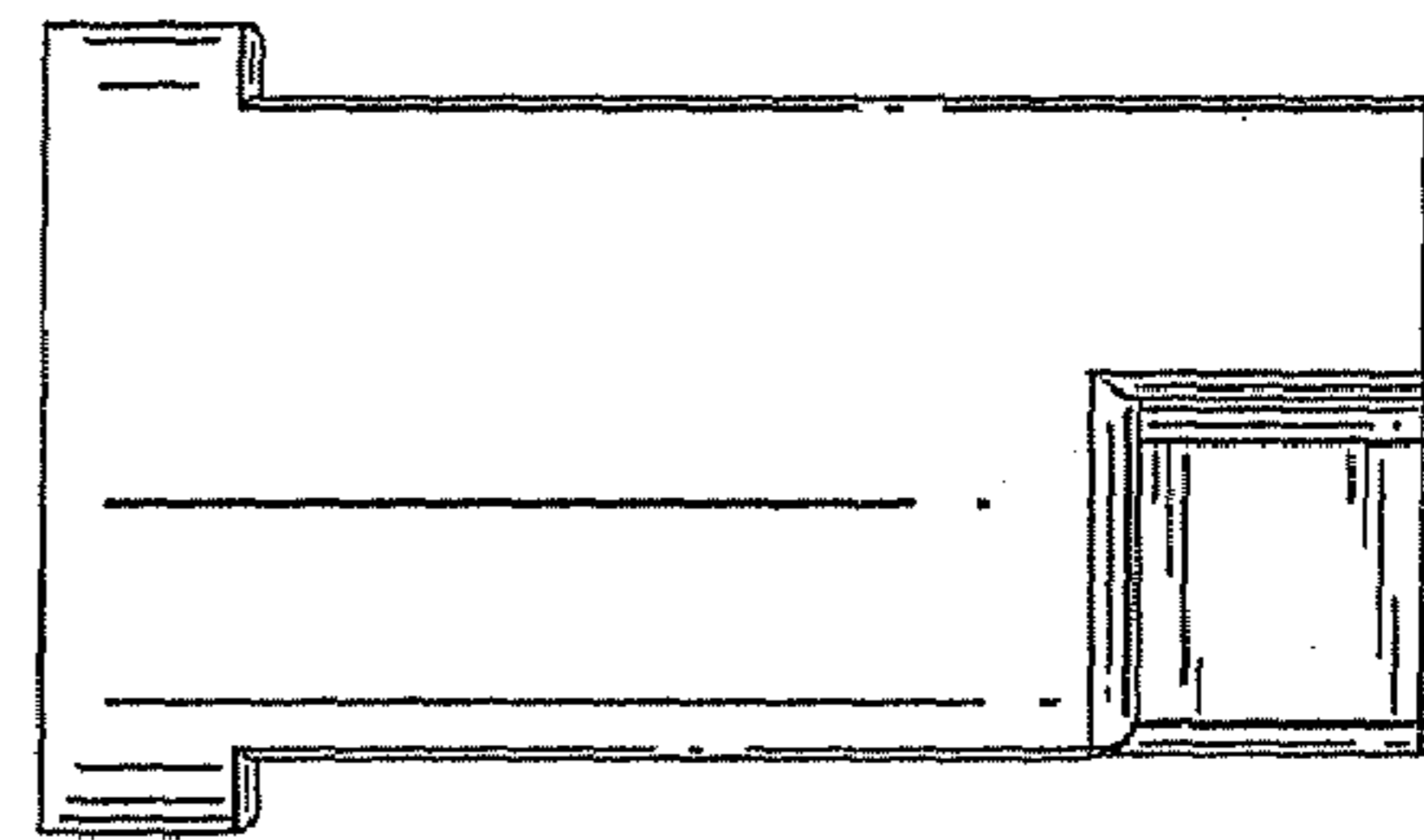


FIG. 6

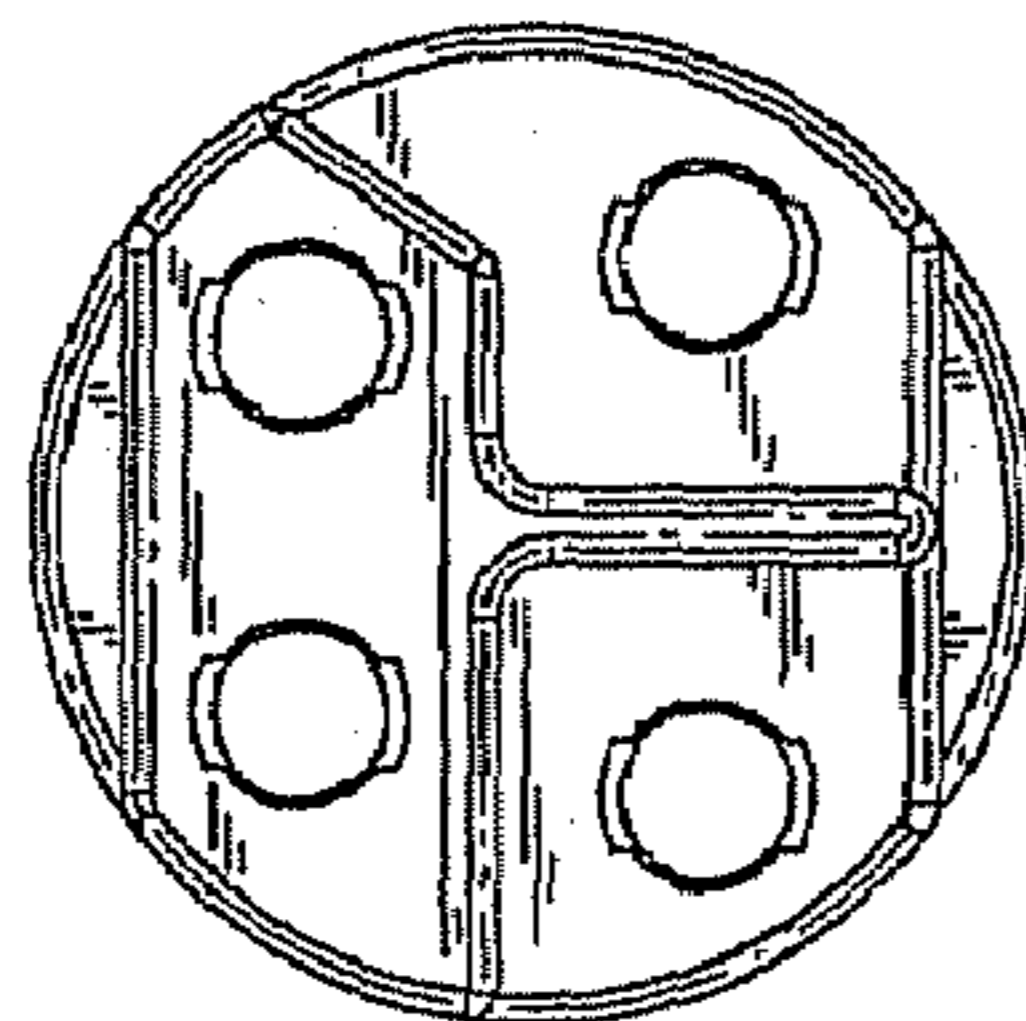


FIG. 7

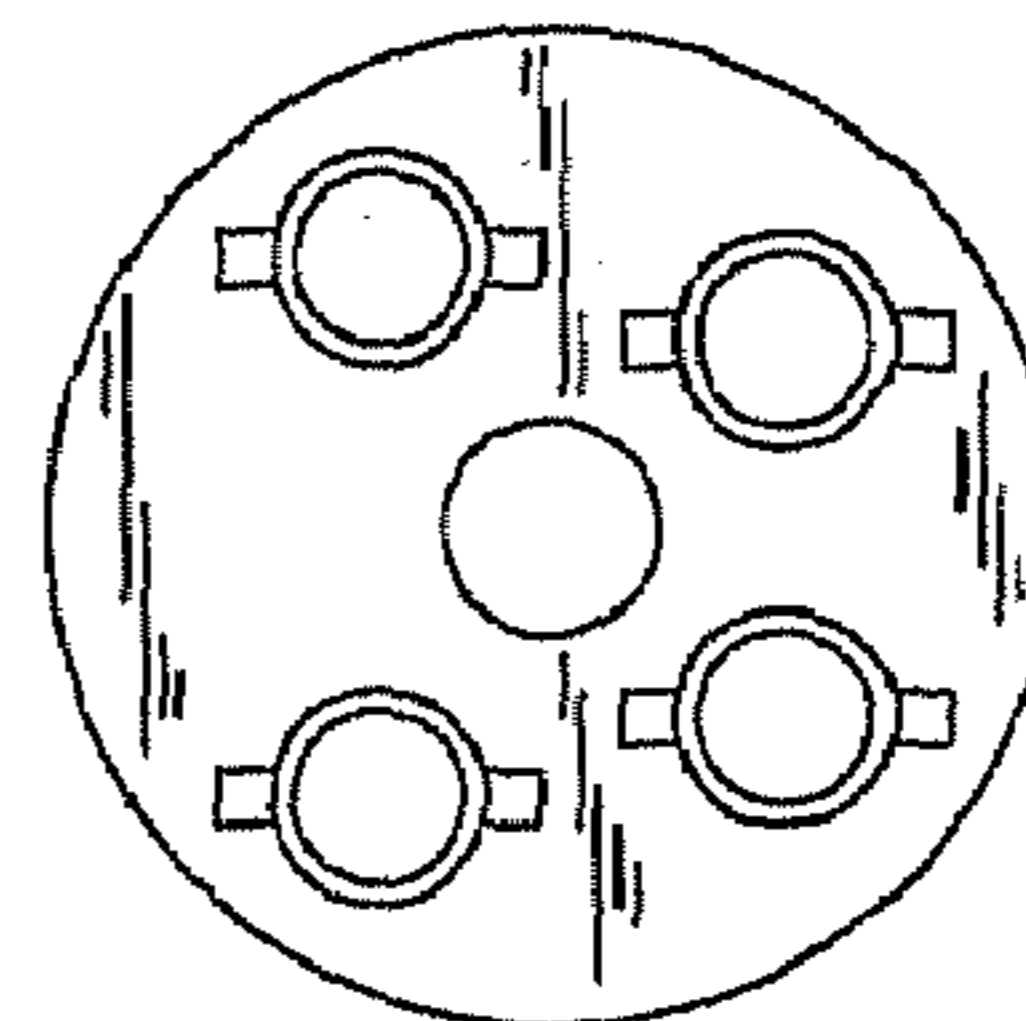


FIG. 8