



US00D551621S

(12) **United States Design Patent**
Iacovelli et al.

(10) **Patent No.:** **US D551,621 S**

(45) **Date of Patent:** **** Sep. 25, 2007**

(54) **POWER INVERTER**

D427,147 S * 6/2000 Wei D13/110
D495,297 S * 8/2004 Hriscu et al. D13/110

(75) Inventors: **Marc Iacovelli**, Miami, FL (US); **Eddie Garrastacho**, Miami, FL (US)

* cited by examiner

(73) Assignee: **Rally Manufacturing, Inc.**, Miami Gardens, FL (US)

Primary Examiner—Stella Reid

Assistant Examiner—Derrick Holland

(74) *Attorney, Agent, or Firm*—Berenato, White & Stavish

(**) Term: **14 Years**

(57) **CLAIM**

(21) Appl. No.: **29/258,230**

The ornamental design for a power inverter, as shown and described.

(22) Filed: **Apr. 19, 2006**

(51) **LOC (8) Cl.** **13-02**

(52) **U.S. Cl.** **D13/110**

(58) **Field of Classification Search** D13/110,
D13/123, 184, 199; 337/185; 361/600,
361/601, 707, 730; 363/141, 142
See application file for complete search history.

DESCRIPTION

FIG. 1 is a front perspective view of a power inverter showing our new design;

FIG. 2 is a front view thereof;

FIG. 3 is a rear view thereof;

FIG. 4 is a right side view thereof;

FIG. 5 is a left side view thereof;

FIG. 6 is a top plan view thereof; and,

FIG. 7 is a bottom plan view thereof.

The broken line showing of the environment is for illustrative purposes only and forms no part of the claimed design.

(56) **References Cited**

U.S. PATENT DOCUMENTS

D332,443 S *	1/1993	Sharpe	D13/184
D349,682 S *	8/1994	Hunziker	D13/110
5,909,358 A *	6/1999	Bradt	361/707
D413,567 S *	9/1999	Person et al.	D13/110
5,949,640 A *	9/1999	Cameron et al.	361/600
D427,146 S *	6/2000	Wei	D13/110

1 Claim, 5 Drawing Sheets

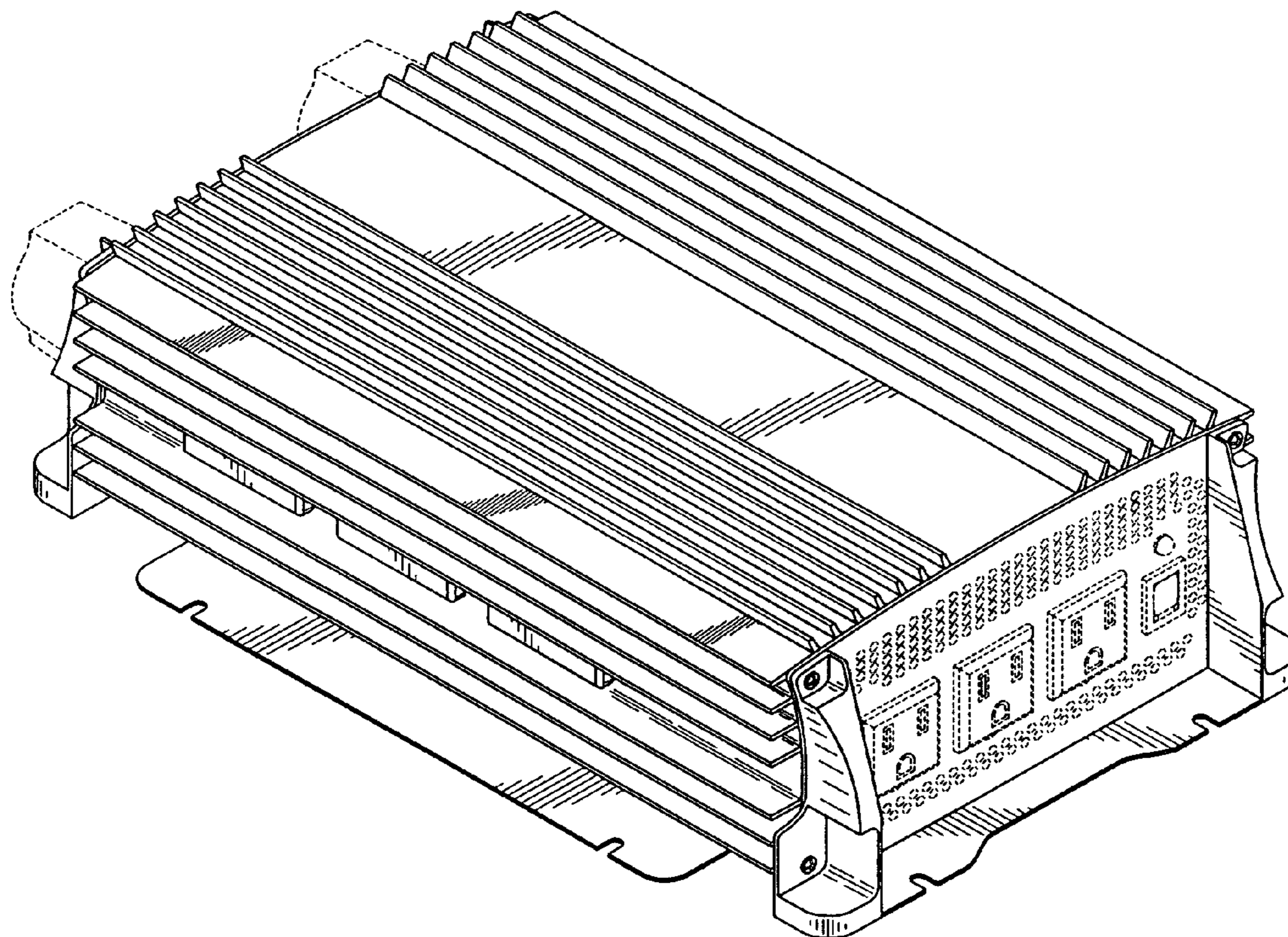


Fig. 1

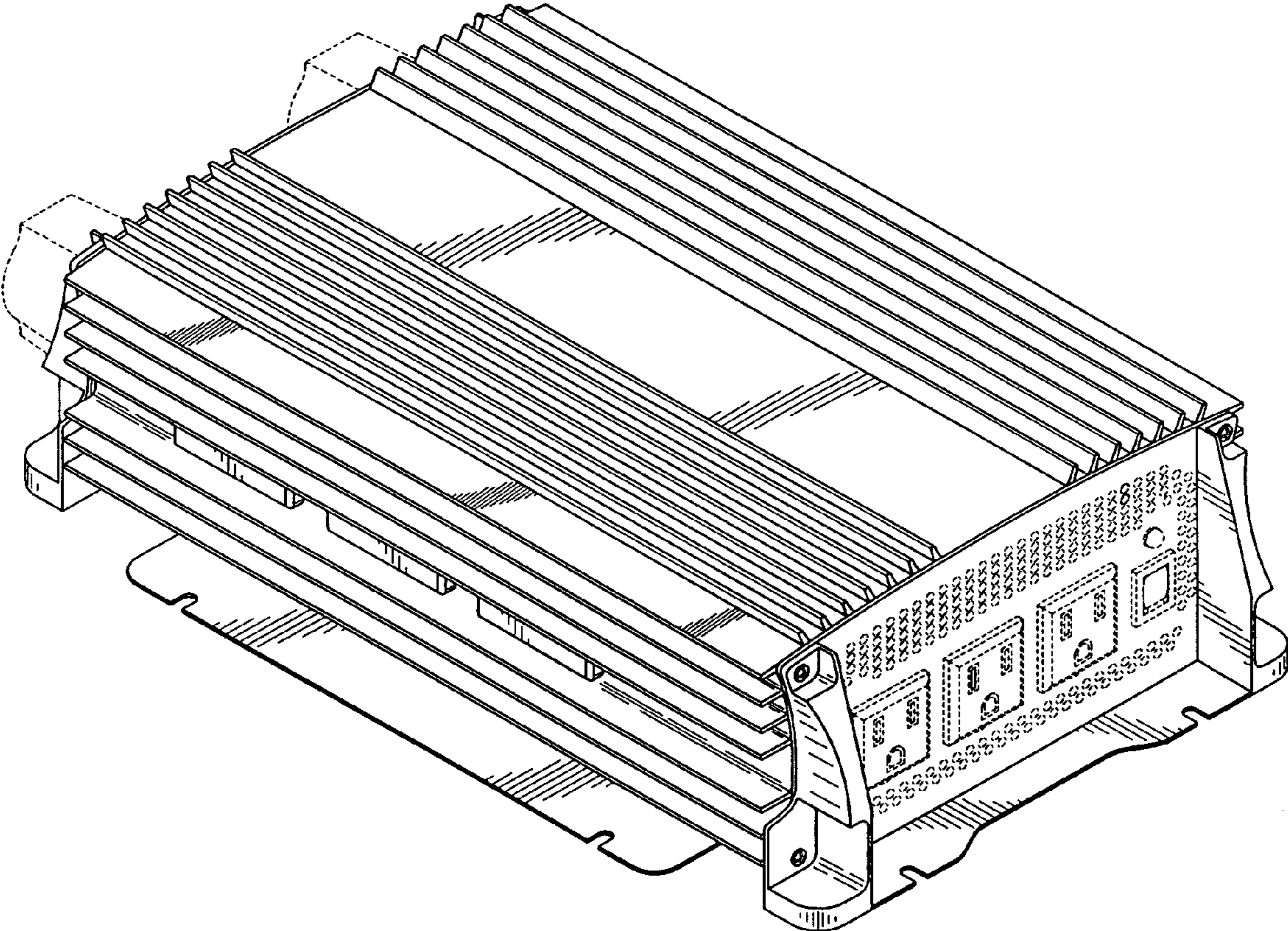


Fig. 2

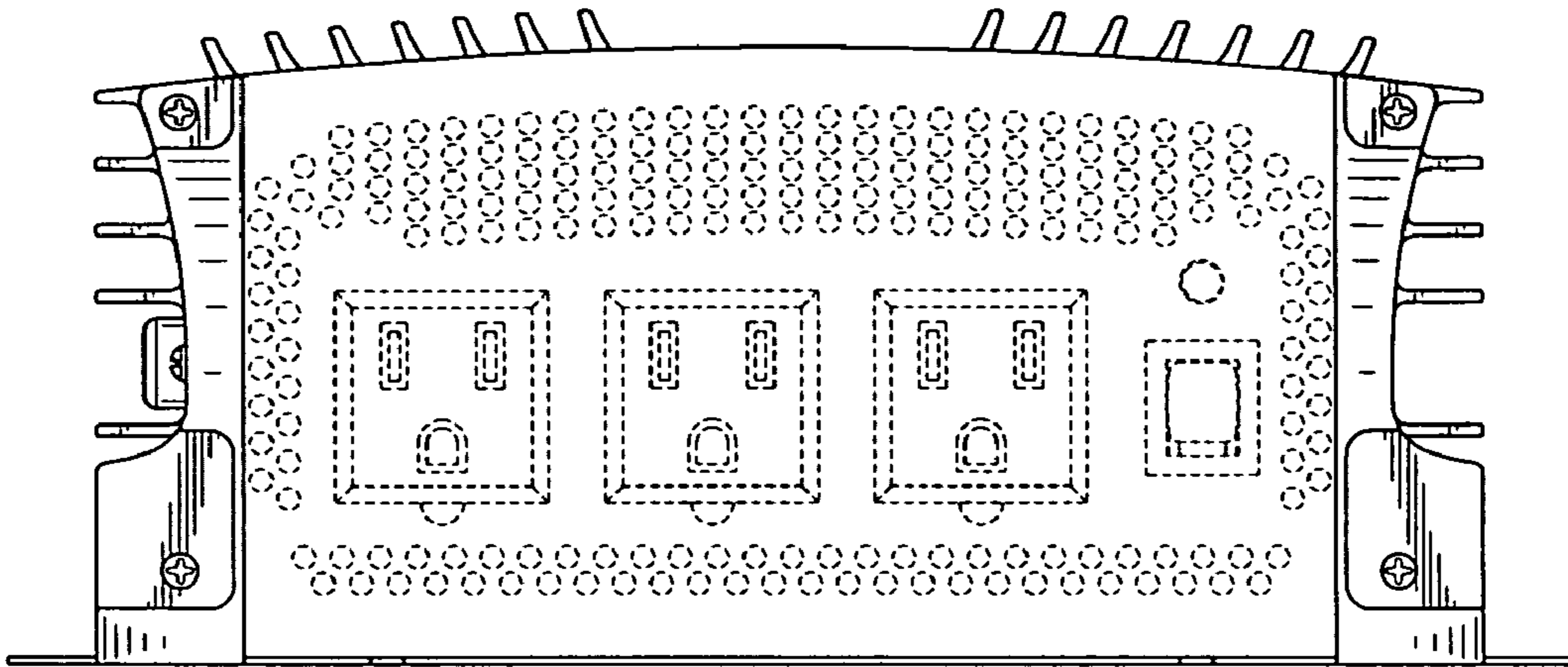


Fig. 3

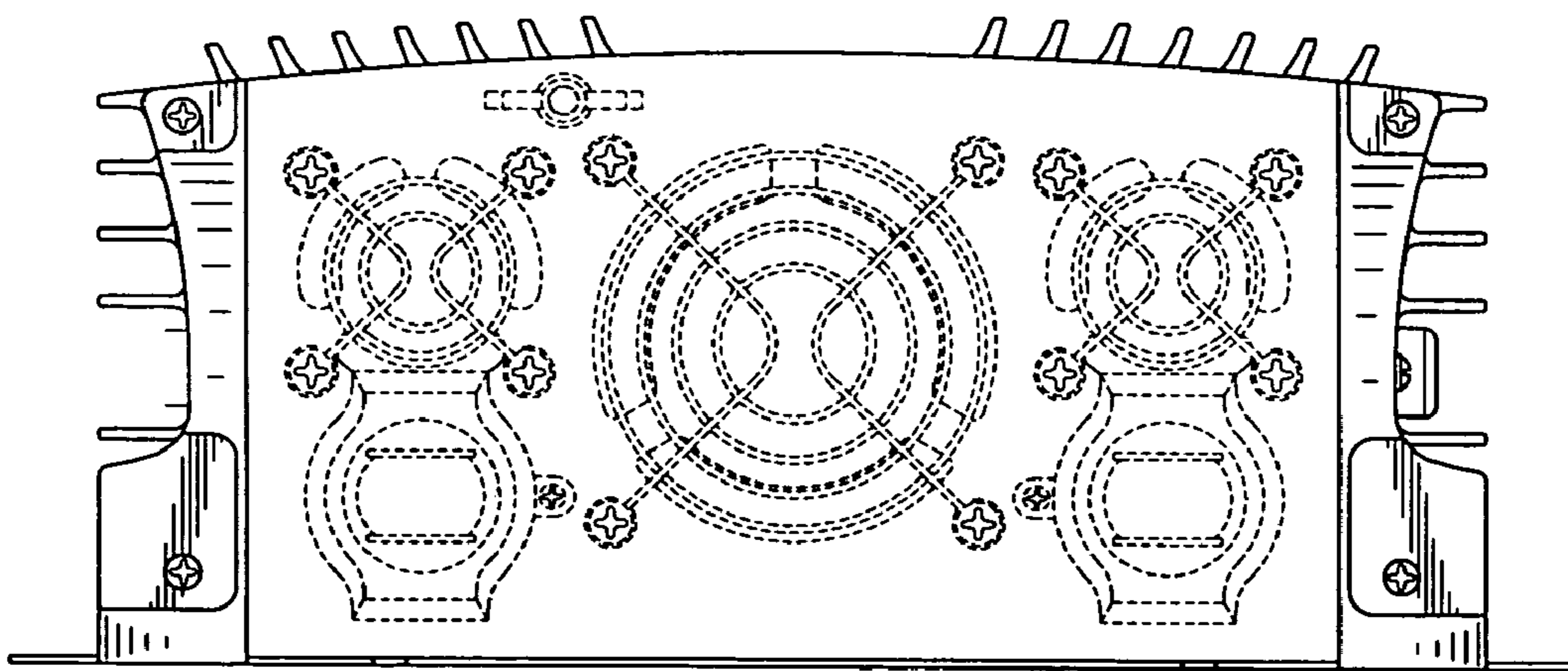


Fig. 4

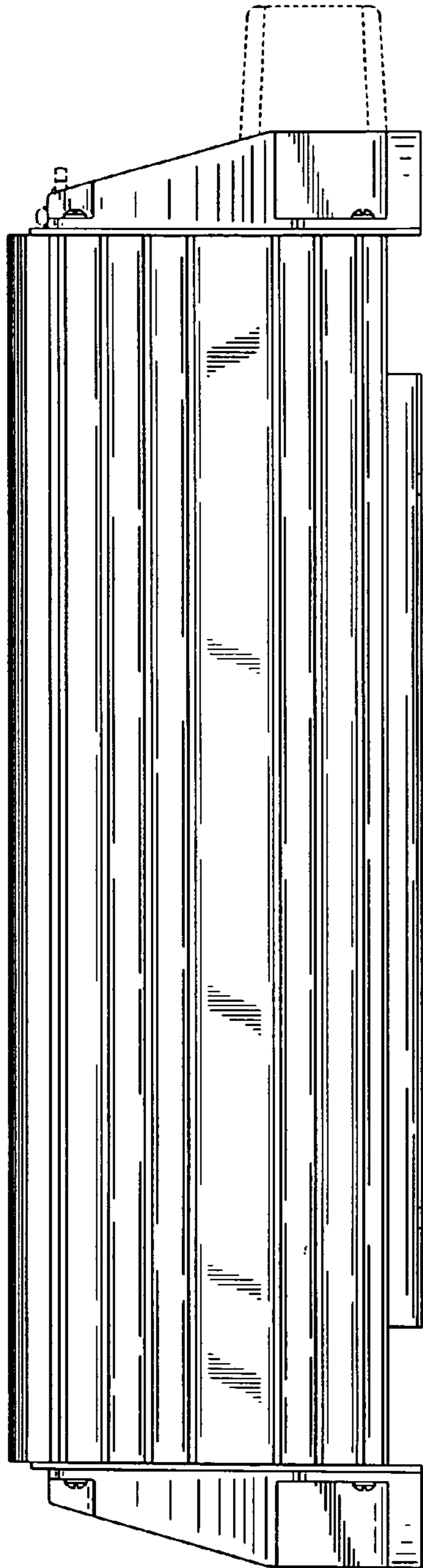
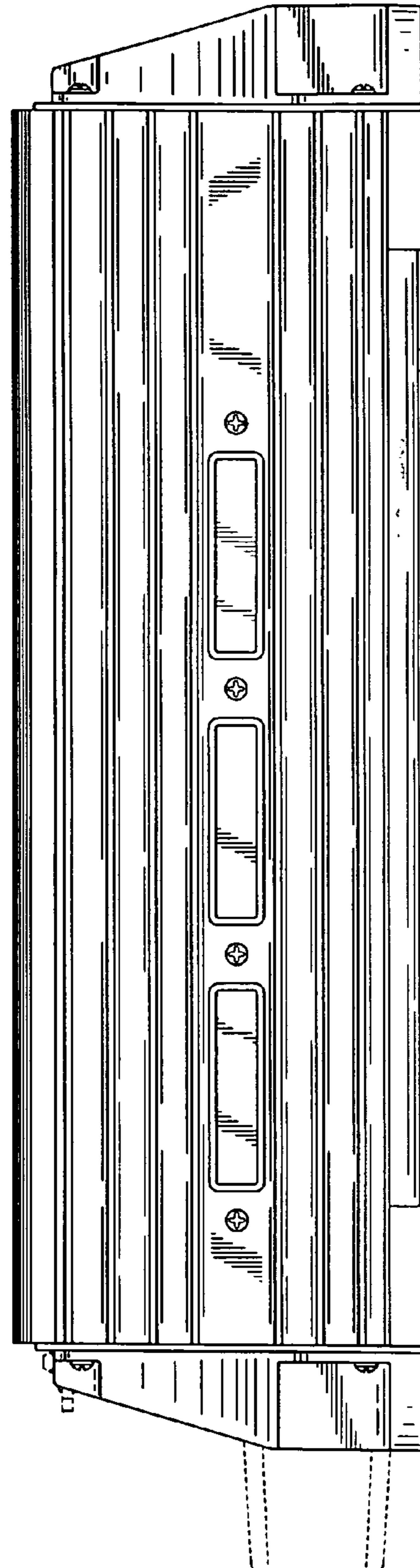


Fig. 5



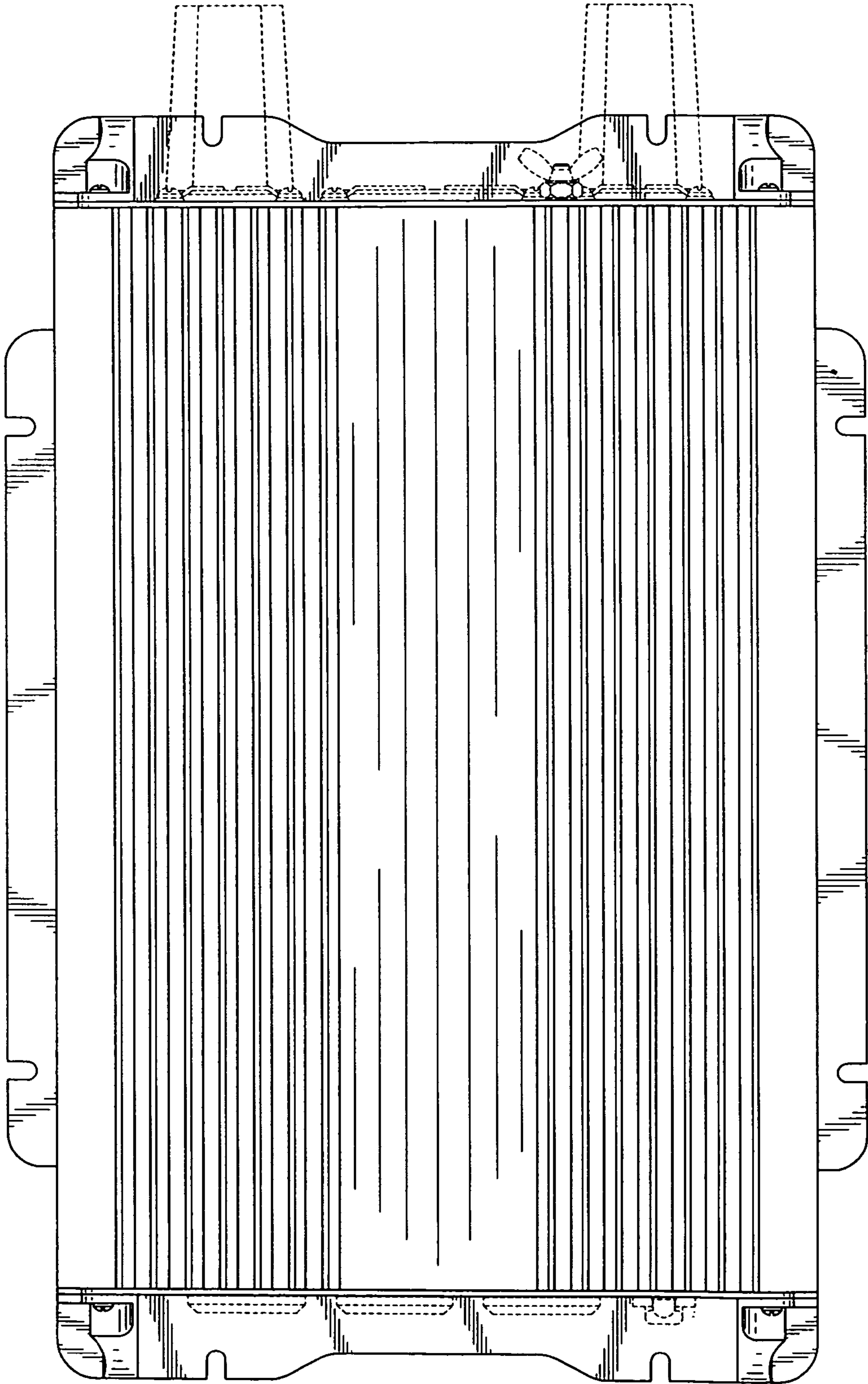


Fig. 6

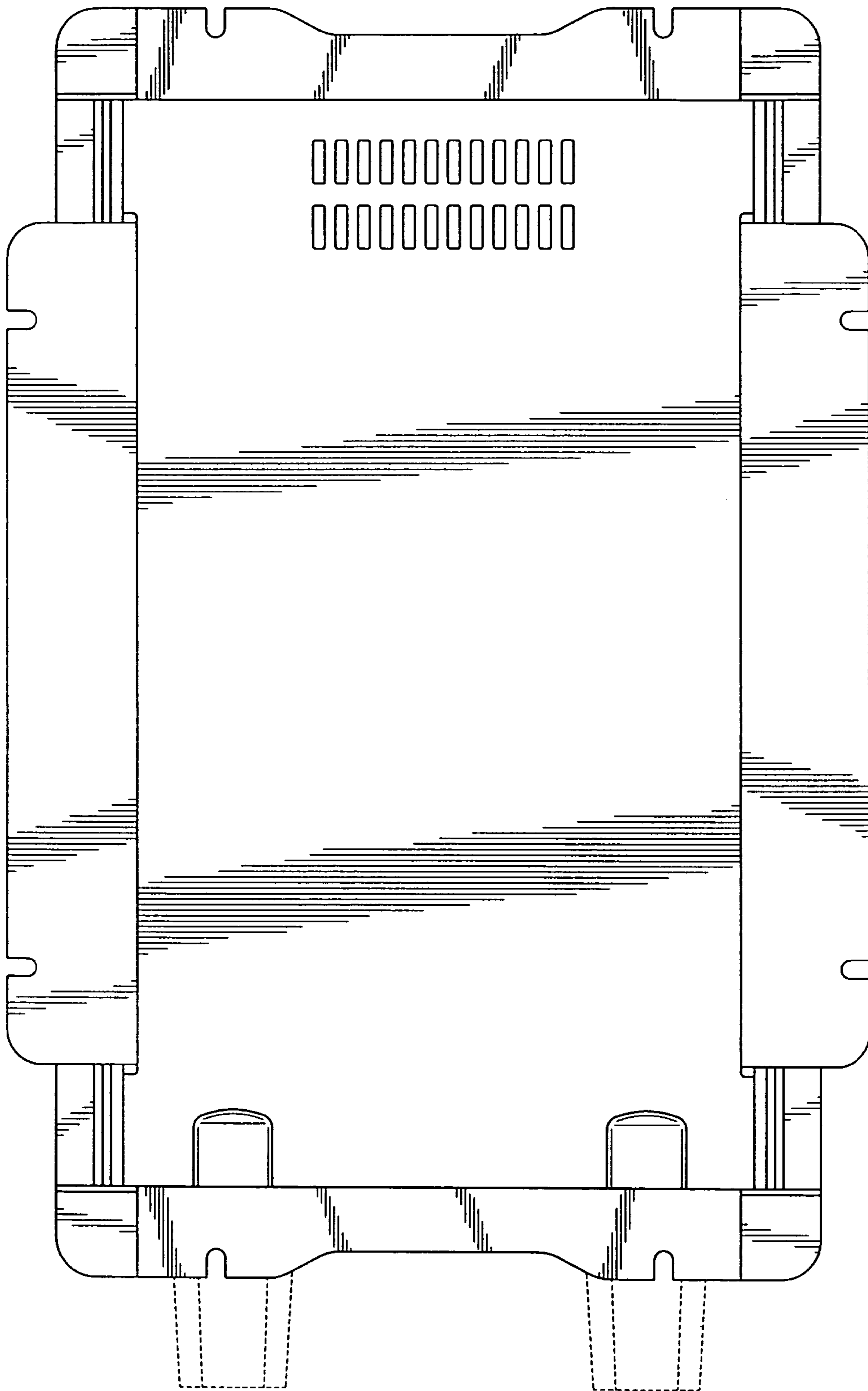


Fig. 7