



US00D551614S

(12) **United States Design Patent**  
**Liukkula et al.**

(10) **Patent No.:** **US D551,614 S**

(45) **Date of Patent:** **\*\* Sep. 25, 2007**

(54) **TIRE STUD**

(75) Inventors: **Mikko Liukkula**, Viiala (FI); **Pentti Eromäki**, Nokia (FI); **Juha Pirhonen**, Sarkola (FI)

(73) Assignee: **Nokian Tyres PLC**, Nokia (FI)

(\*\*) Term: **14 Years**

(21) Appl. No.: **29/242,390**

(22) Filed: **Nov. 9, 2005**

(30) **Foreign Application Priority Data**

May 13, 2005 (EM) ..... 000346580-0001/005

(51) **LOC (8) Cl.** ..... **12-15**

(52) **U.S. Cl.** ..... **D12/608**

(58) **Field of Classification Search** ..... D12/500,  
D12/501, 544, 579, 604, 608; 36/59 R, 59 B,  
36/67 A; 152/64, 110, 164, 208, 209.12,  
152/210, 222, 225 R, 226, 243; 305/19,  
305/187, 189, 191; 301/41.1  
See application file for complete search history.

(56) **References Cited**

U.S. PATENT DOCUMENTS

3,889,735 A \* 6/1975 Salakari ..... 152/210

3,998,257 A \* 12/1976 Mayra ..... 152/210

5,581,913 A \* 12/1996 Kataoka et al. .... 36/134

D431,215 S \* 9/2000 Nyblom ..... D12/608

2004/0163746 A1\* 8/2004 Eromaki ..... 152/210

2004/0231775 A1\* 11/2004 Eromaki ..... 152/210

\* cited by examiner

*Primary Examiner*—Robert M. Spear

(74) *Attorney, Agent, or Firm*—Klauber & Jackson LLC

(57) **CLAIM**

The ornamental design for tire stud, as shown.

**DESCRIPTION**

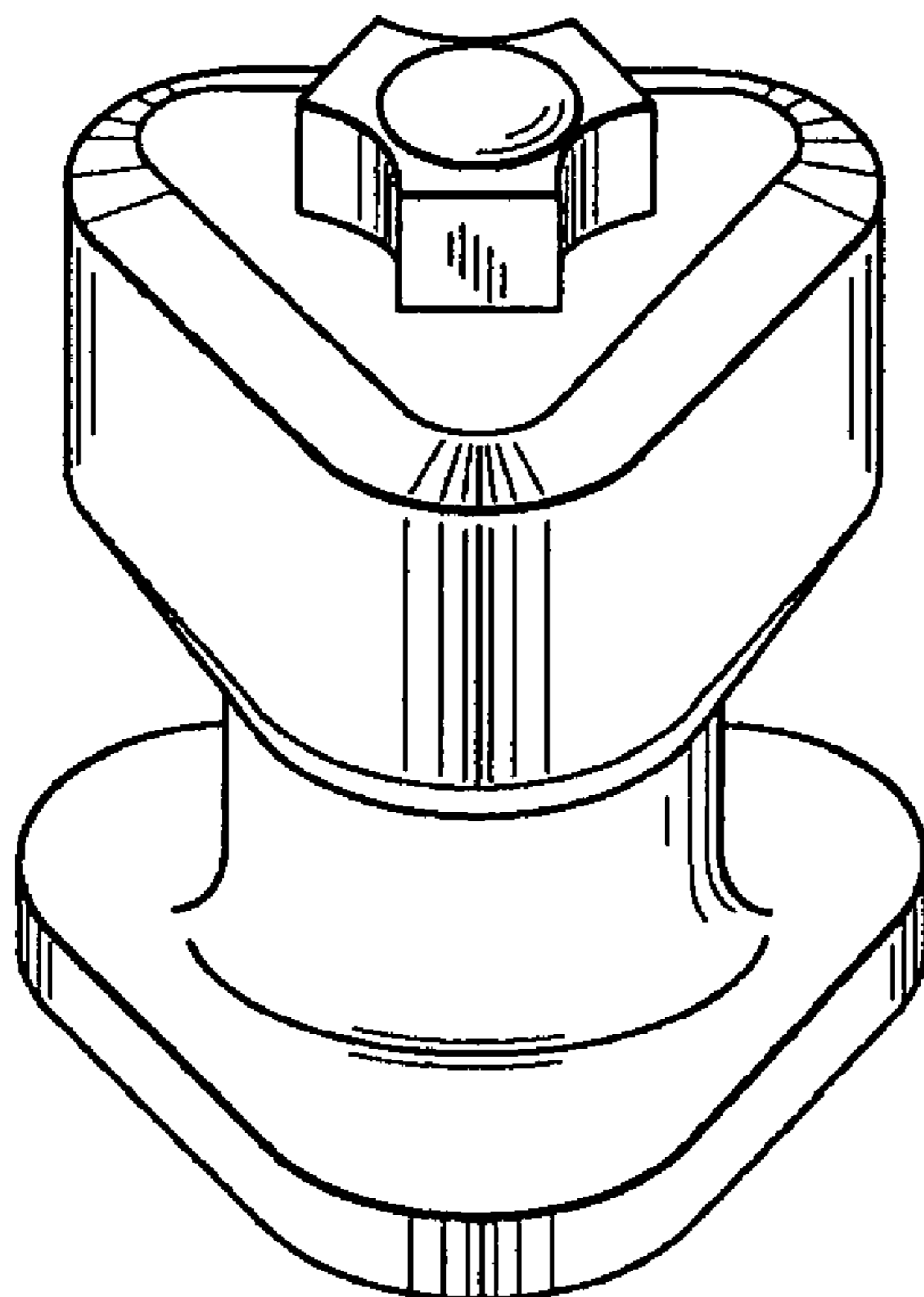
FIG. 1 is a top front perspective view of a tire stud of our claimed design;

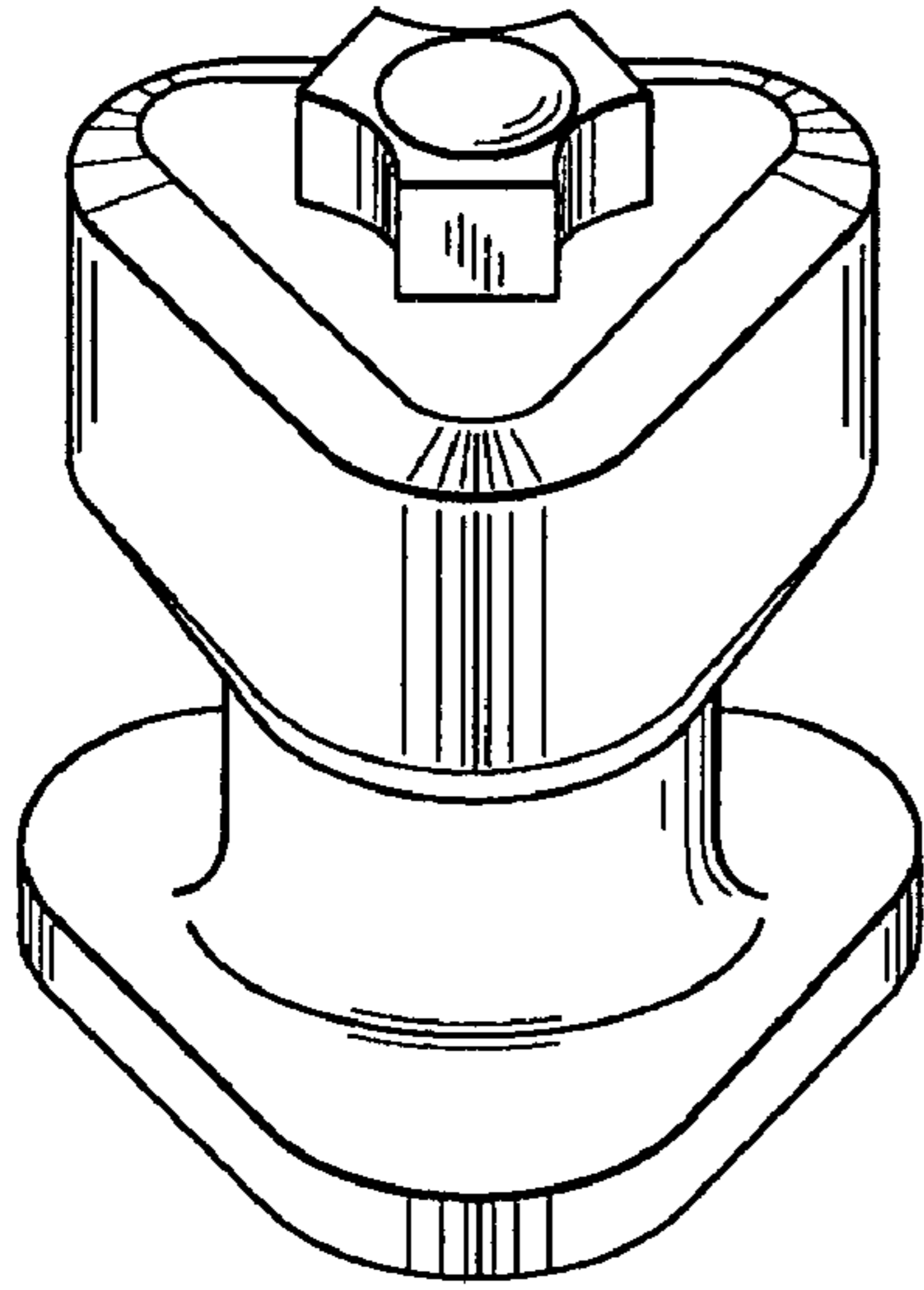
FIG. 2 is a side elevational view of the design of FIG. 1;

FIG. 3 is a top view thereof; and,

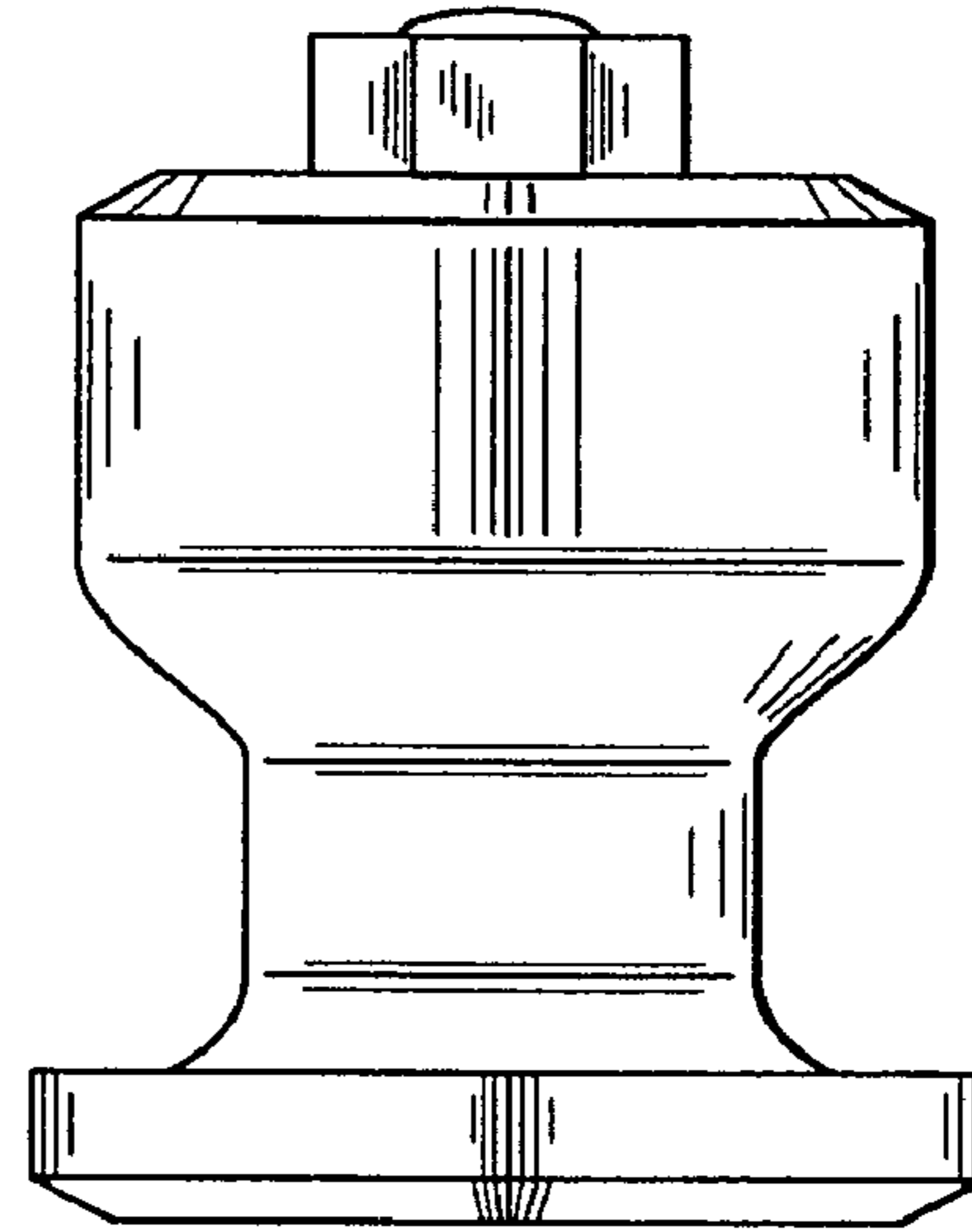
FIG. 4 is a bottom view thereof.

**1 Claim, 1 Drawing Sheet**

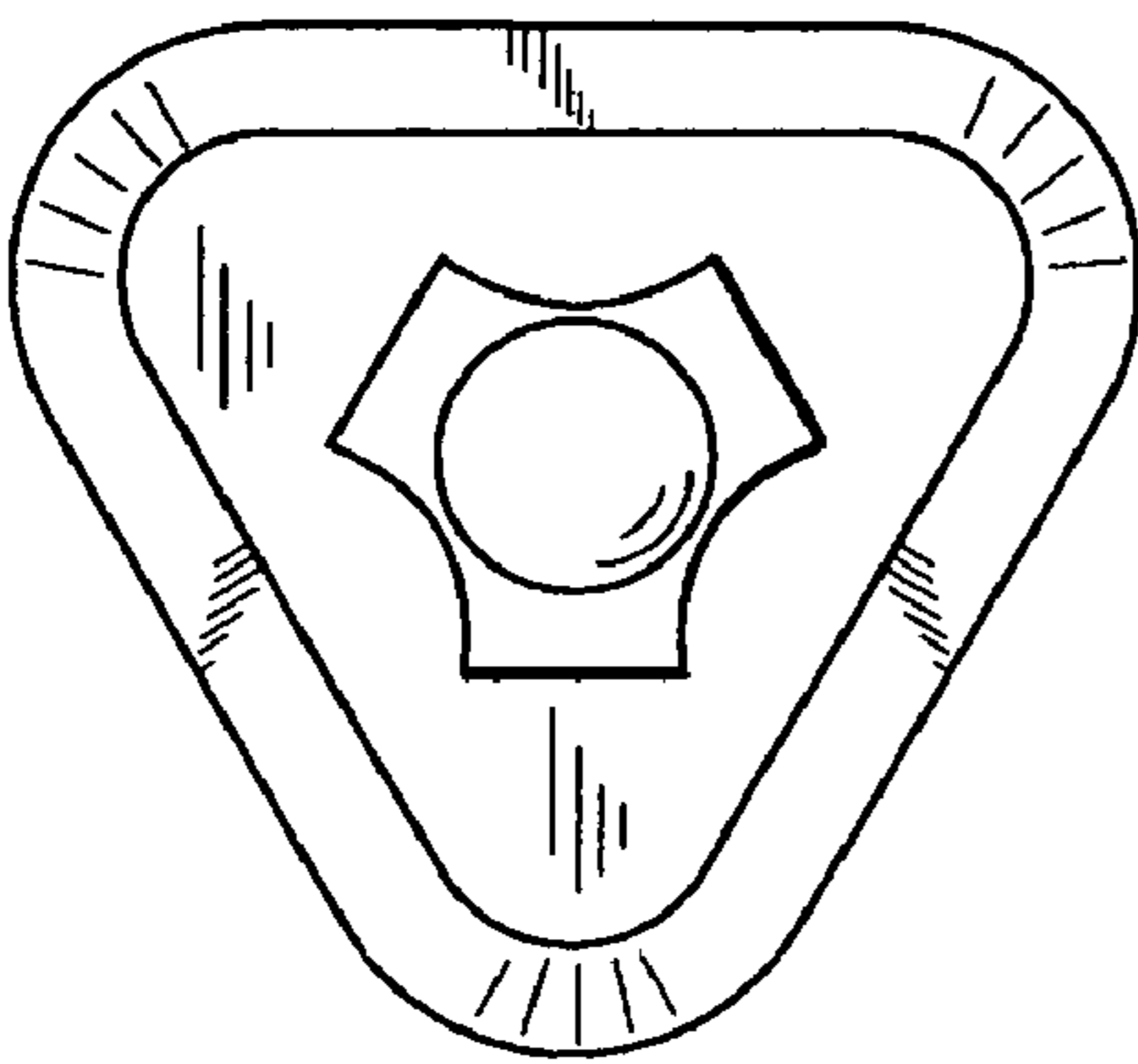




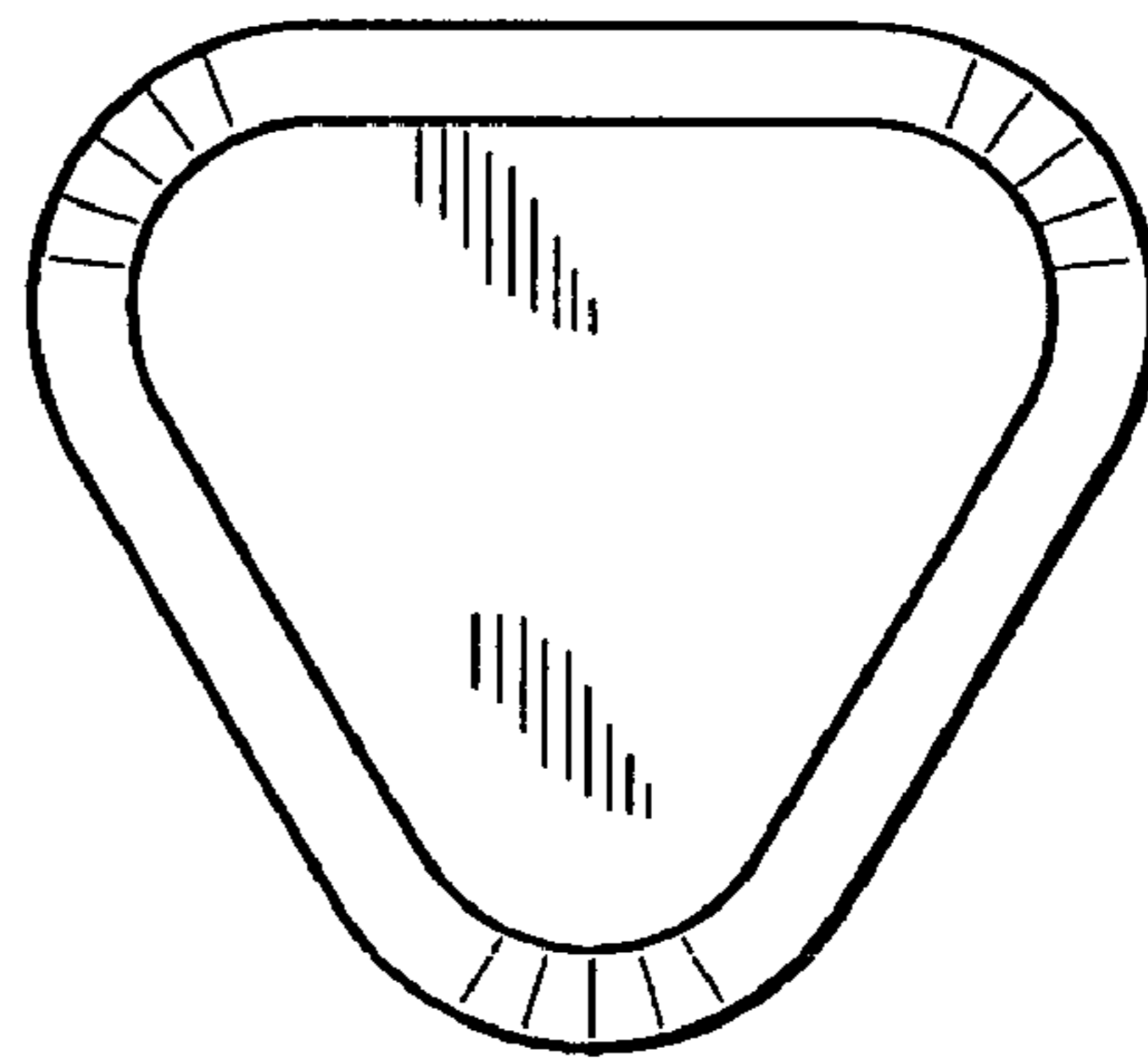
***Fig. 1***



***Fig. 2***



***Fig. 3***



***Fig. 4***