



US00D551611S

(12) **United States Design Patent**  
**Imel**

(10) **Patent No.:** **US D551,611 S**

(45) **Date of Patent:** **\*\* Sep. 25, 2007**

(54) **FLOATING BOAT DOCK EXTENSION**

7,063,033 B1 \* 6/2006 Jackson ..... 114/259  
7,069,872 B2 \* 7/2006 Ostreng et al. .... 114/263  
D532,360 S \* 11/2006 Ostreng et al. .... D12/316

(75) Inventor: **Dustin Imel**, Rocky Comfort, MO (US)

(73) Assignee: **E-Z-Dock, Inc.**, Monett, MO (US)

(\*\*) Term: **14 Years**

(21) Appl. No.: **29/256,131**

(22) Filed: **Mar. 16, 2006**

(51) **LOC (8) Cl.** ..... **12-06**

(52) **U.S. Cl.** ..... **D12/317; D12/316**

(58) **Field of Classification Search** ..... D12/300,  
D12/302, 307, 316, 317, 318; 114/15, 16,  
114/45, 259, 263; 405/4, 5

See application file for complete search history.

(56) **References Cited**

**U.S. PATENT DOCUMENTS**

D223,520 S	4/1972	Pfleuger et al.	
5,281,055 A	1/1994	Neitzke et al.	
5,651,326 A	7/1997	Rice	
D398,576 S	9/1998	Hillman et al.	
D401,547 S	11/1998	Karliner	
5,855,180 A	1/1999	Masters	
5,875,727 A	3/1999	Elson et al.	
5,941,660 A	8/1999	Rueckert	
6,006,687 A	12/1999	Hillman et al.	
D506,431 S *	6/2005	Elson	D12/316
D521,441 S *	5/2006	Ostreng et al.	D12/316
7,051,668 B1 *	5/2006	Quinto et al.	114/263

**OTHER PUBLICATIONS**

Pamphlet/1998, EZ Dock, Inc.—EZ Dock Dock system, EZ Port Boat Lifts, EZ Port PWC Lifts, 8 pages.

\* cited by examiner

*Primary Examiner*—Holly H. Baynham

*Assistant Examiner*—Cynthia M. Chin

(74) *Attorney, Agent, or Firm*—Polster, Lieder, Woodruff & Lucchesi, L.C.

(57) **CLAIM**

The ornamental design for a floating boat dock extension, as shown and described.

**DESCRIPTION**

FIG. 1 is a perspective view of a floating boat dock extension of the current invention;

FIG. 2 is a top plan view of thereof;

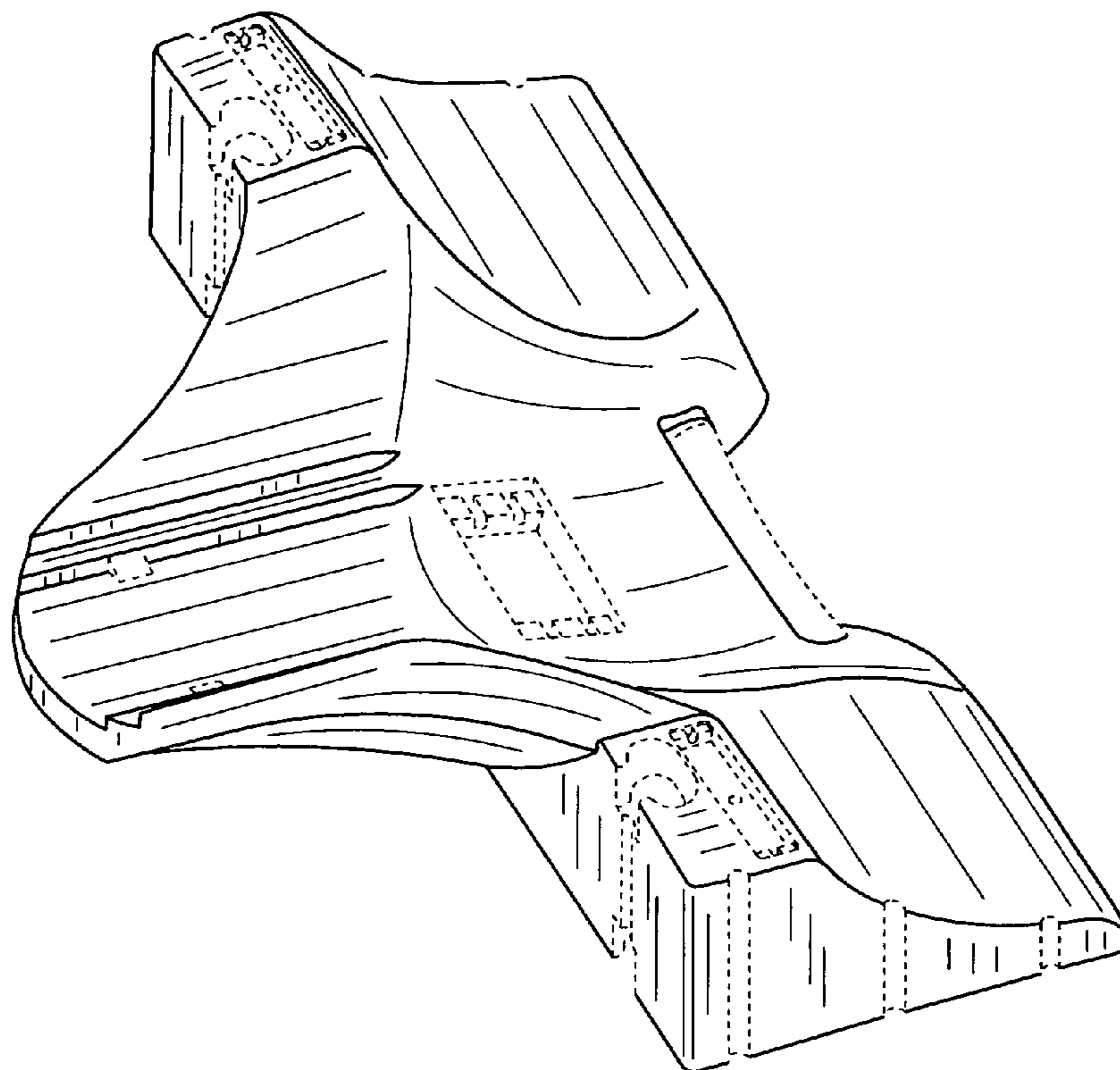
FIG. 3 is a front end elevational view thereof;

FIG. 4 is a right side elevational view thereof; the left side being a mirror image of the right side;

FIG. 5 is a rear elevational view thereof; and,

FIG. 6 is a bottom plan view thereof.

**1 Claim, 3 Drawing Sheets**



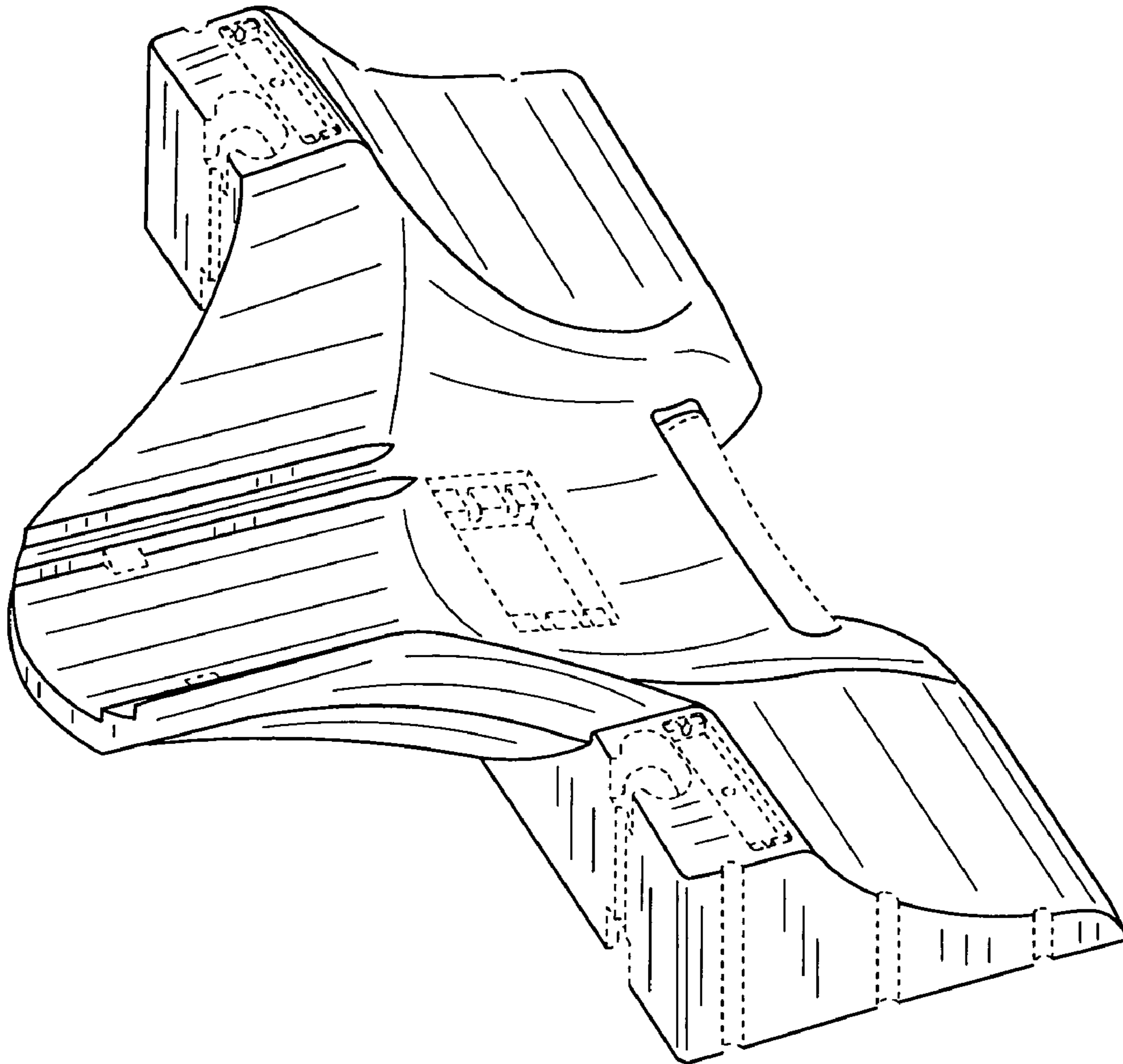


FIG. 1

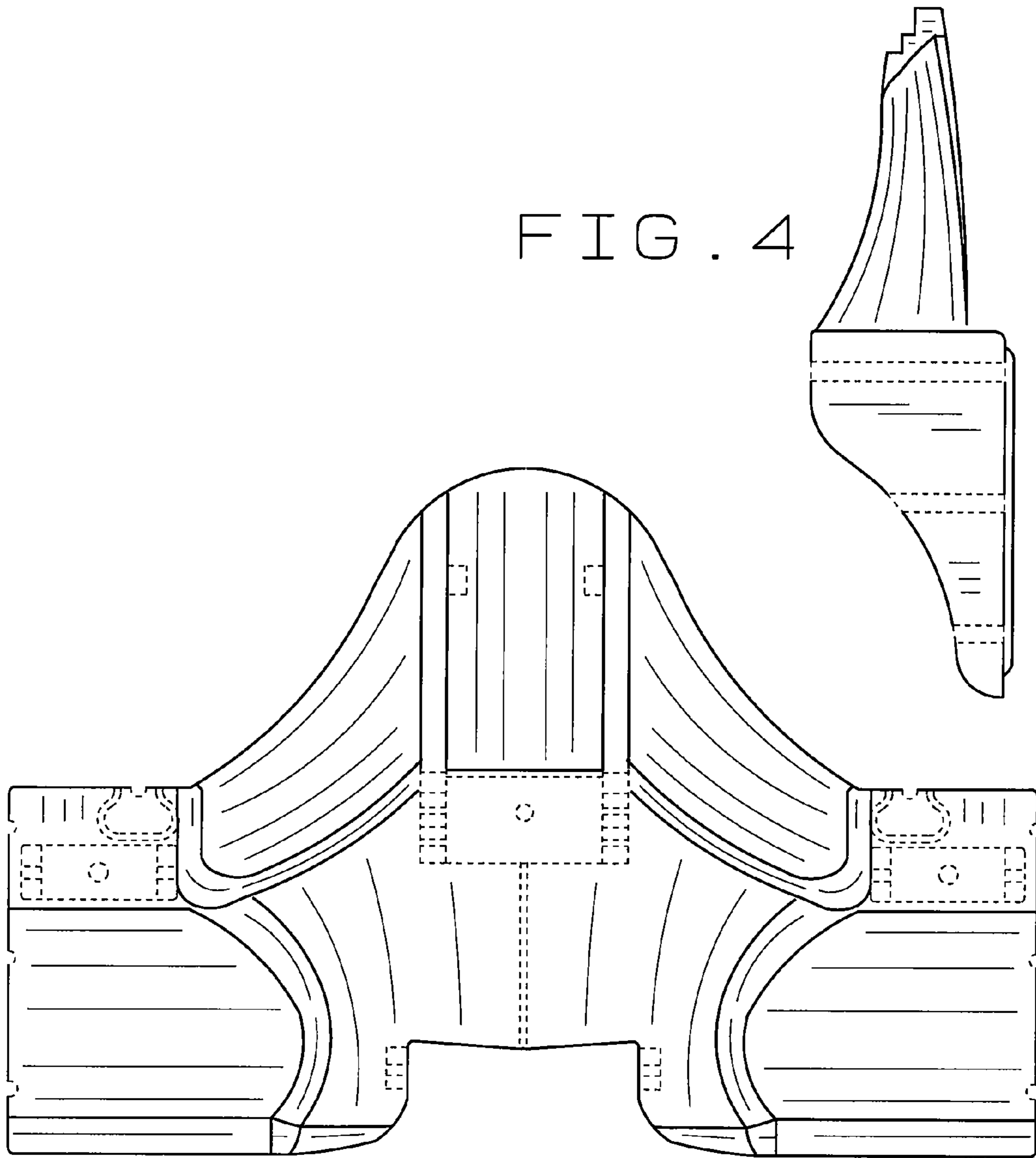


FIG. 4

FIG. 2

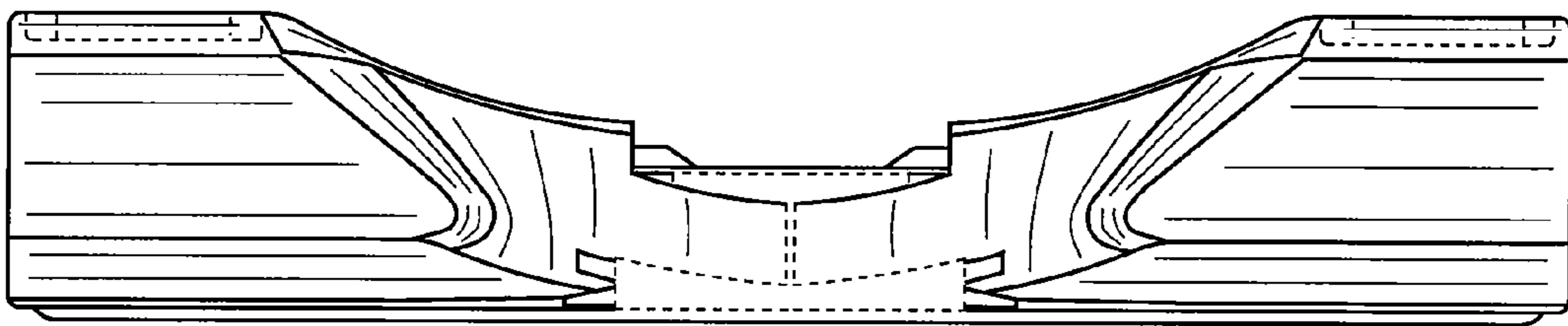


FIG. 3

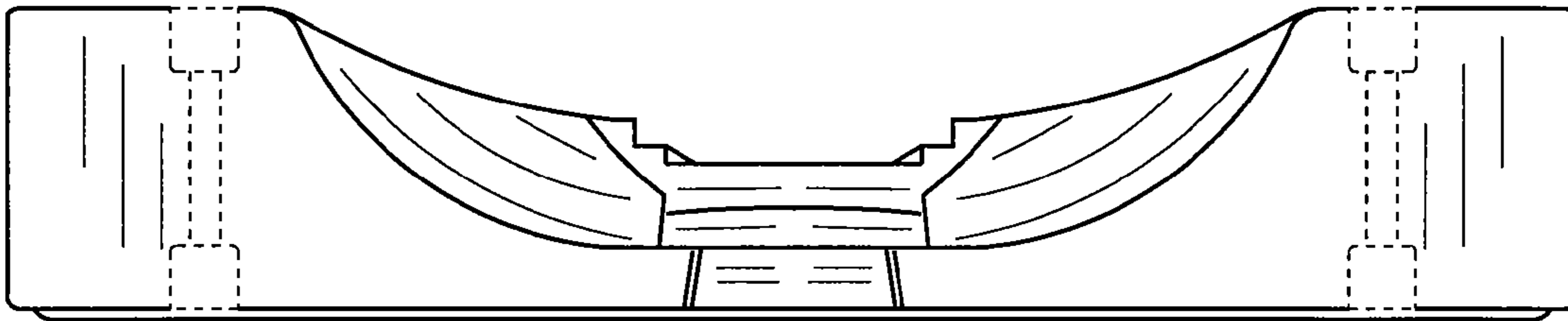


FIG. 5

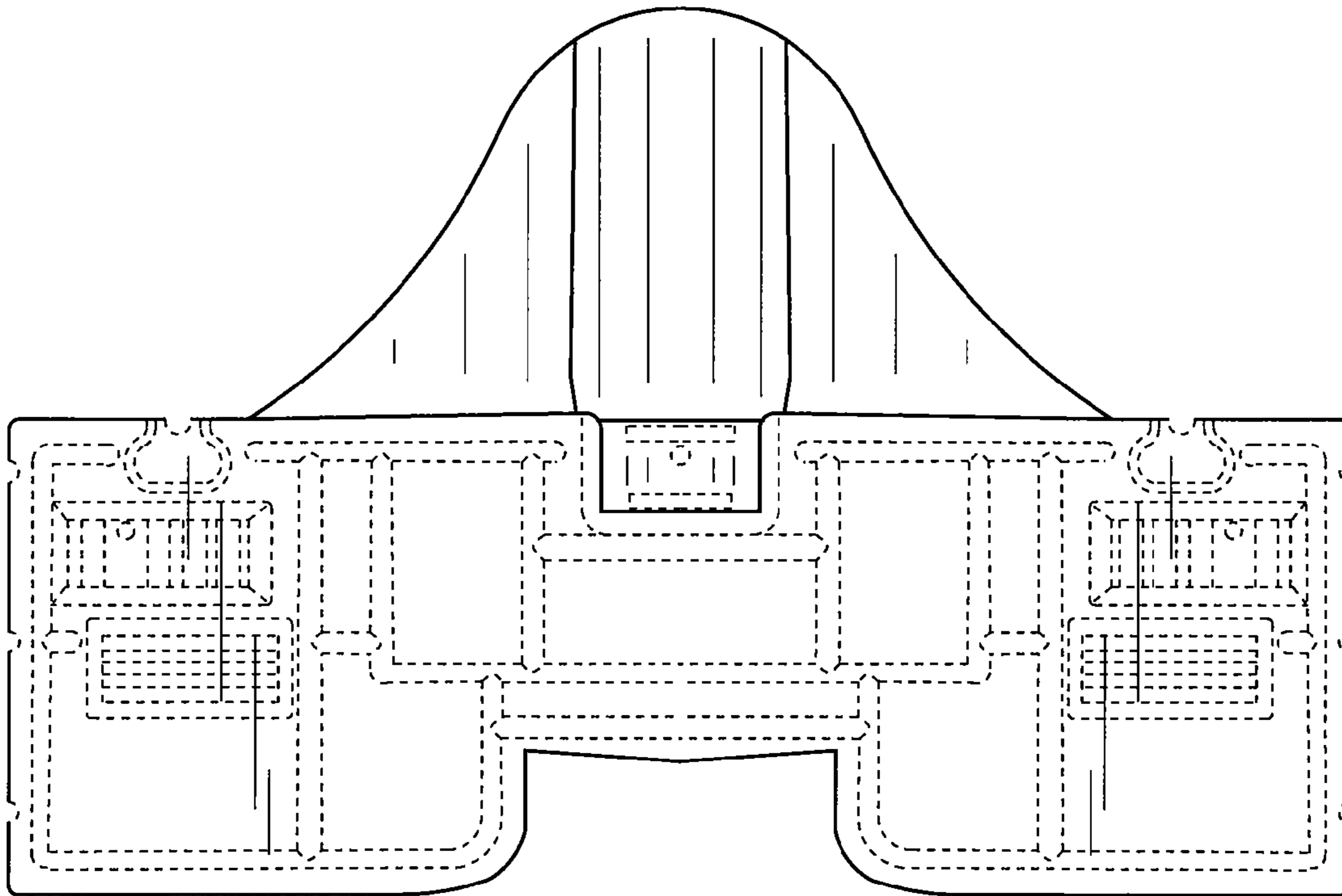


FIG. 6