



US00D551609S

(12) **United States Design Patent**  
**Hettler**

(10) **Patent No.:** **US D551,609 S**

(45) **Date of Patent:** **\*\* Sep. 25, 2007**

(54) **FRONT FACE OF A VEHICLE WHEEL**

(75) Inventor: **Jan Hettler**, Munich (DE)

(73) Assignee: **Bayerische Motoren Werke Aktiengesellschaft**, Munich (DE)

(\*\*) Term: **14 Years**

(21) Appl. No.: **29/258,275**

(22) Filed: **Apr. 20, 2006**

(30) **Foreign Application Priority Data**

Oct. 21, 2005 (DE) ..... 4 05 05 489

(51) **LOC (8) Cl.** ..... **12-16**

(52) **U.S. Cl.** ..... **D12/211**

(58) **Field of Classification Search** ..... D12/204-213;  
301/37.101, 64.101, 65

See application file for complete search history.

(56) **References Cited**

**U.S. PATENT DOCUMENTS**

D391,215 S	*	2/1998	Cervati	.....	D12/209
D398,573 S	*	9/1998	Cattaneo	.....	D12/211
D407,057 S		3/1999	Goplen		
D428,846 S	*	8/2000	Yoshida et al.	.....	D12/211
D432,974 S	*	10/2000	Jablonski	.....	D12/211
D437,819 S	*	2/2001	Brown et al.	.....	D12/209
D450,647 S	*	11/2001	Pfeiffer	.....	D12/211
D450,650 S	*	11/2001	Cinibulk	.....	D12/211
D466,853 S	*	12/2002	Maifrini	.....	D12/211
D482,308 S	*	11/2003	Lee	.....	D12/211

D486,437 S	*	2/2004	Hieke	.....	D12/211
D486,770 S	*	2/2004	Pollmann	.....	D12/209
D489,309 S	*	5/2004	Laengerer	.....	D12/211
D496,623 S	*	9/2004	Elmitt	.....	D12/211
D503,919 S	*	4/2005	Cahyono	.....	D12/211
D504,100 S	*	4/2005	Pollmann	.....	D12/211
D516,002 S	*	2/2006	Fahr-Becker	.....	D12/211
D516,982 S	*	3/2006	Gallert	.....	D12/209
D516,988 S	*	3/2006	Laengerer	.....	D12/211
D522,949 S	*	6/2006	Elmitt	.....	D12/211
D525,932 S	*	8/2006	Hettler	.....	D12/211
D527,334 S	*	8/2006	Hettler	.....	D12/211
D530,257 S	*	10/2006	Pfeiffer	.....	D12/211
D536,654 S		2/2007	Moruzzi	.....	D12/211

**FOREIGN PATENT DOCUMENTS**

EM 000255609-0004 2/2005

\* cited by examiner

*Primary Examiner*—Stacia Cadmus

(74) *Attorney, Agent, or Firm*—Crowell & Moring LLP

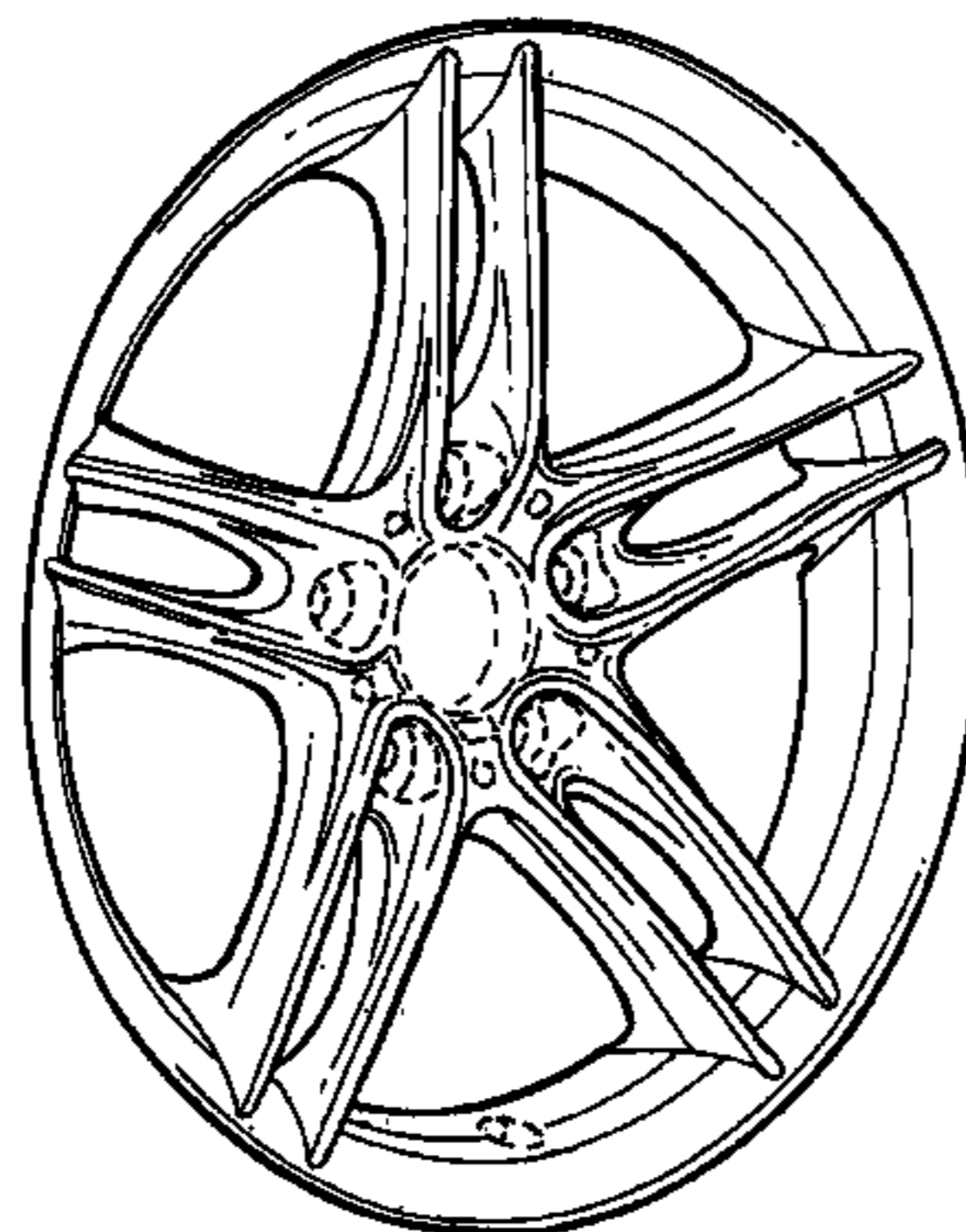
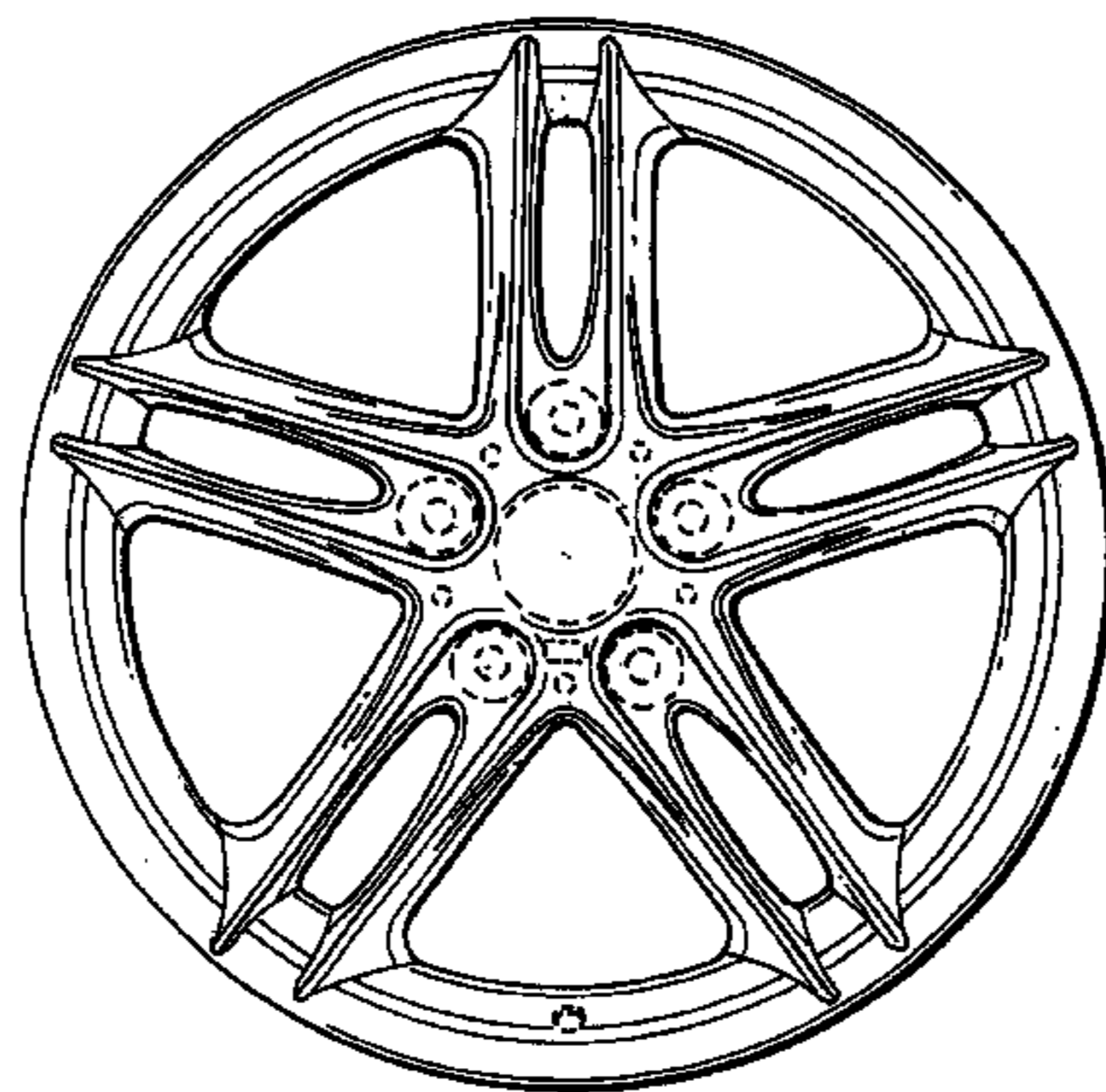
(57) **CLAIM**

The ornamental design for a front face of a vehicle wheel, as shown and described.

**DESCRIPTION**

FIG. 1 is a front view of a front face of a vehicle wheel according to my novel design; and, FIG. 2 is a perspective view thereof. The broken lines are for illustrative purposes only and form no part of the claimed design.

**1 Claim, 1 Drawing Sheet**



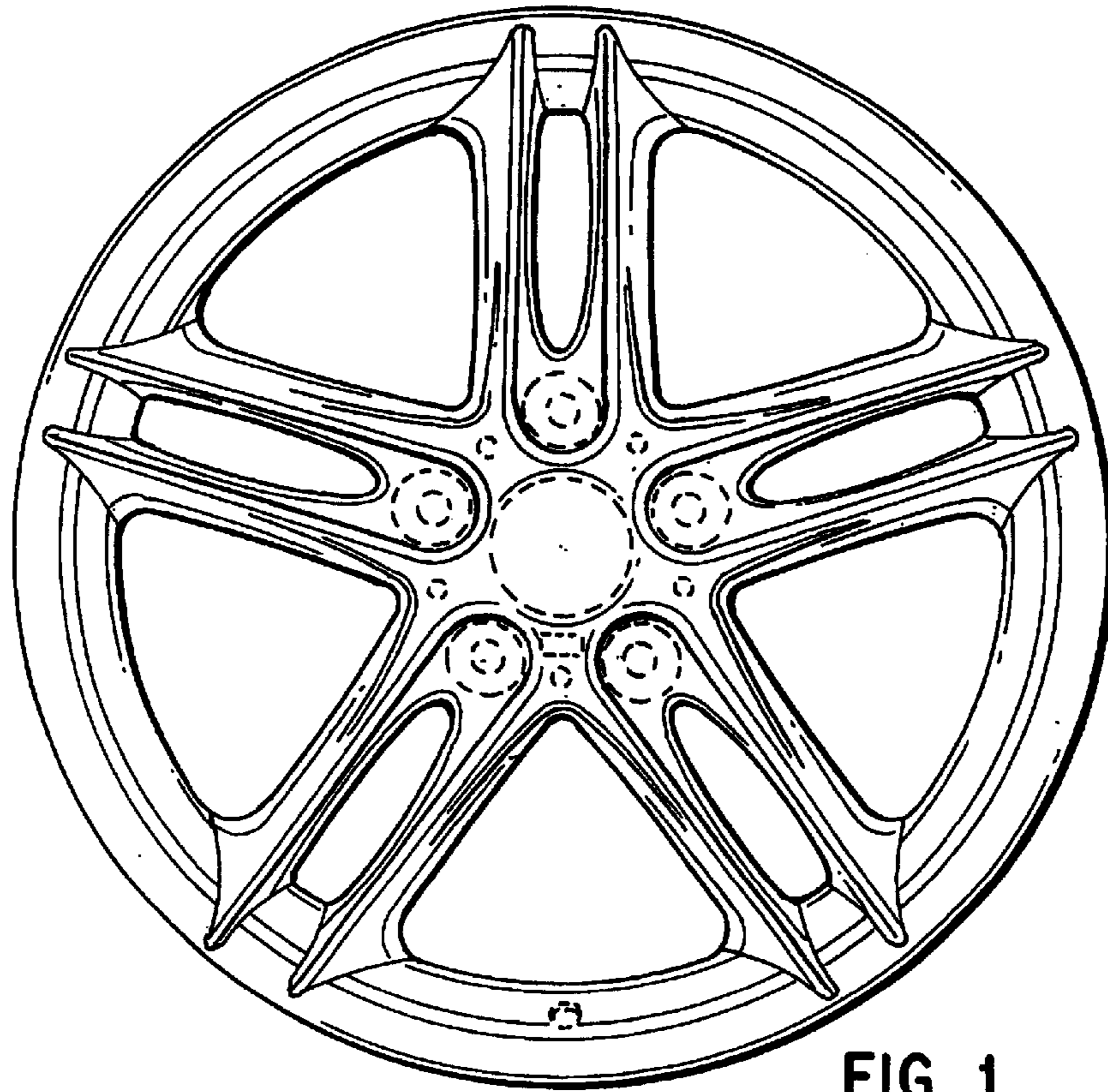


FIG. 1

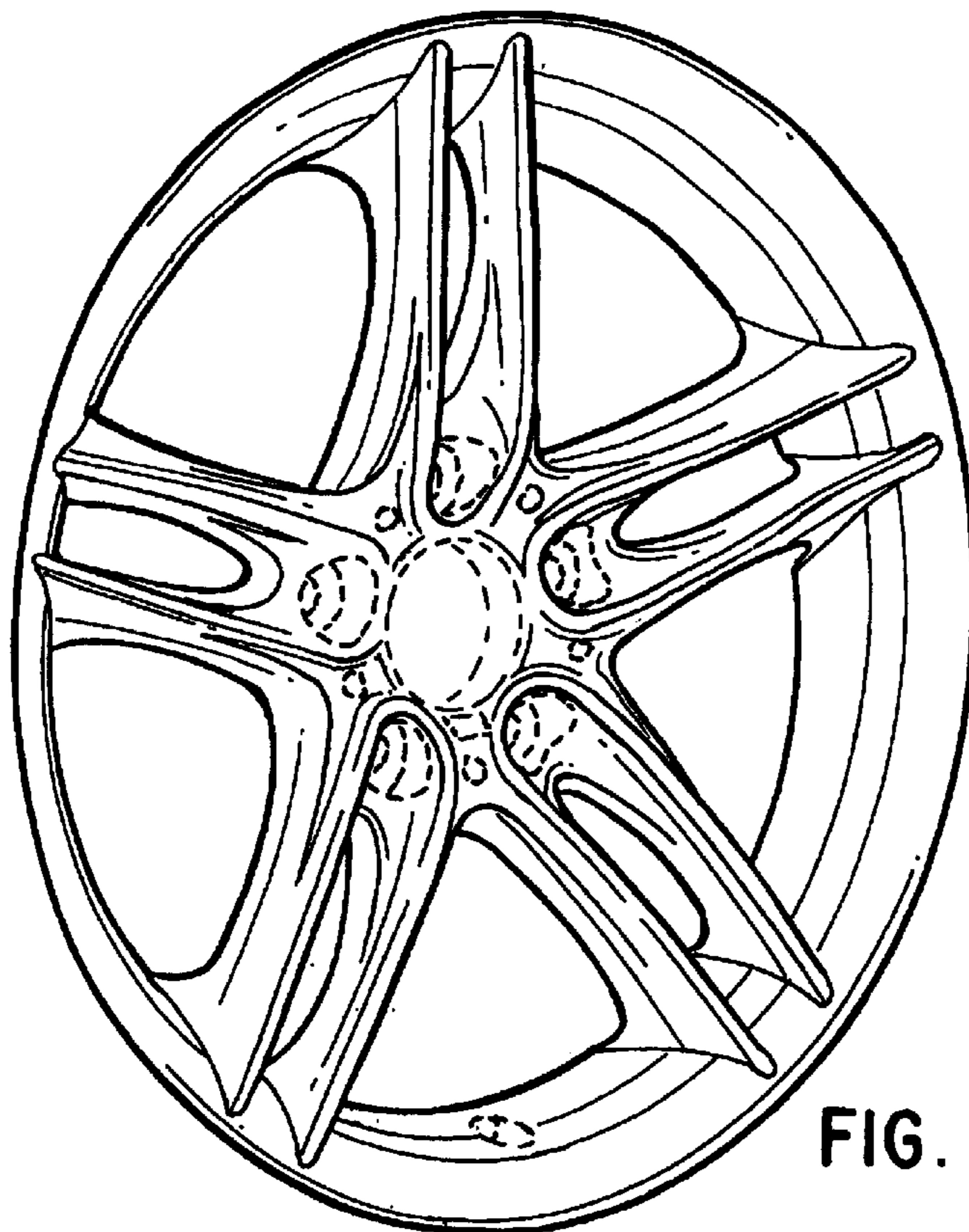


FIG. 2